



US00D893929S

(12) **United States Design Patent** (10) **Patent No.:** **US D893,929 S**
Powell et al. (45) **Date of Patent:** **** Aug. 25, 2020**

(54) **FURNITURE SUPPORT**

(71) Applicant: **Assa Group, Inc.**, Lowell, MI (US)

(72) Inventors: **David J. Powell**, Lowell, MI (US);
Ryan D. Sullivan, Grand Rapids, MI (US)

(73) Assignee: **Assa Group, Inc.**, Lowell, MI (US)

(**) Term: **15 Years**

(21) Appl. No.: **29/685,490**

(22) Filed: **Mar. 28, 2019**

Related U.S. Application Data

(63) Continuation-in-part of application No. 29/650,987, filed on Jun. 12, 2018, now Pat. No. Des. 882,997, and a continuation-in-part of application No. 29/650,985, filed on Jun. 11, 2018, now Pat. No. Des. 875,449.

(51) **LOC (12) Cl.** **06-06**

(52) **U.S. Cl.**
USPC **D6/709; D6/710**

(58) **Field of Classification Search**
USPC D6/702, 708, 708.16, 708.17, 708.2, D6/708.21, 708.22, 709, 710
CPC ... A47B 91/00; A47B 91/005; A47B 91/0012; A47B 91/16; A47B 2200/002
See application file for complete search history.

(56) **References Cited**

U.S. PATENT DOCUMENTS

D555,945 S *	11/2007	Pearsons	D6/709
D644,458 S *	9/2011	Babick	D6/709
D763,609 S *	8/2016	Copier	D6/709
D805,823 S *	12/2017	Babick	D6/709
D807,672 S *	1/2018	Babick	D6/709
D875,449 S *	2/2020	Powell	D6/708.2
D882,997 S *	5/2020	Powell	D6/700

* cited by examiner

Primary Examiner — Mary Ann Calabrese

(74) *Attorney, Agent, or Firm* — Oppenhuizen Law PLC;
David L. Oppenhuizen

(57) **CLAIM**

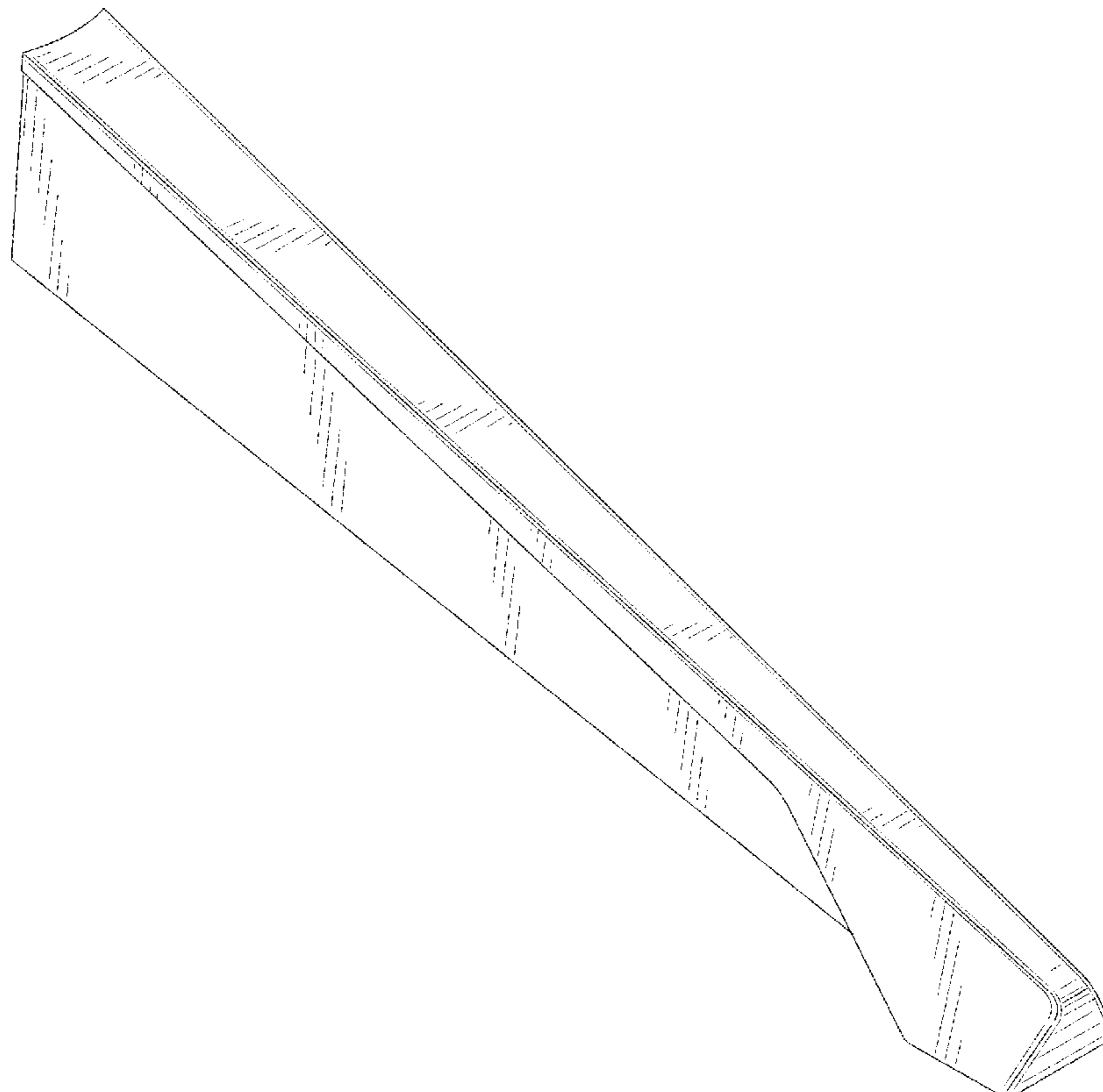
The ornamental design for a furniture support, as shown and described.

DESCRIPTION

FIG. 1 is a top perspective view of a furniture support showing the new design;
FIG. 2 is a front view, the rear view being a mirror thereof;
FIG. 3 is a top view;
FIG. 4 is a bottom view;
FIG. 5 is a right view; and,
FIG. 6 is a left view.

The broken lines in the drawings illustrate portions of the furniture support that form no of the claimed design.

1 Claim, 4 Drawing Sheets



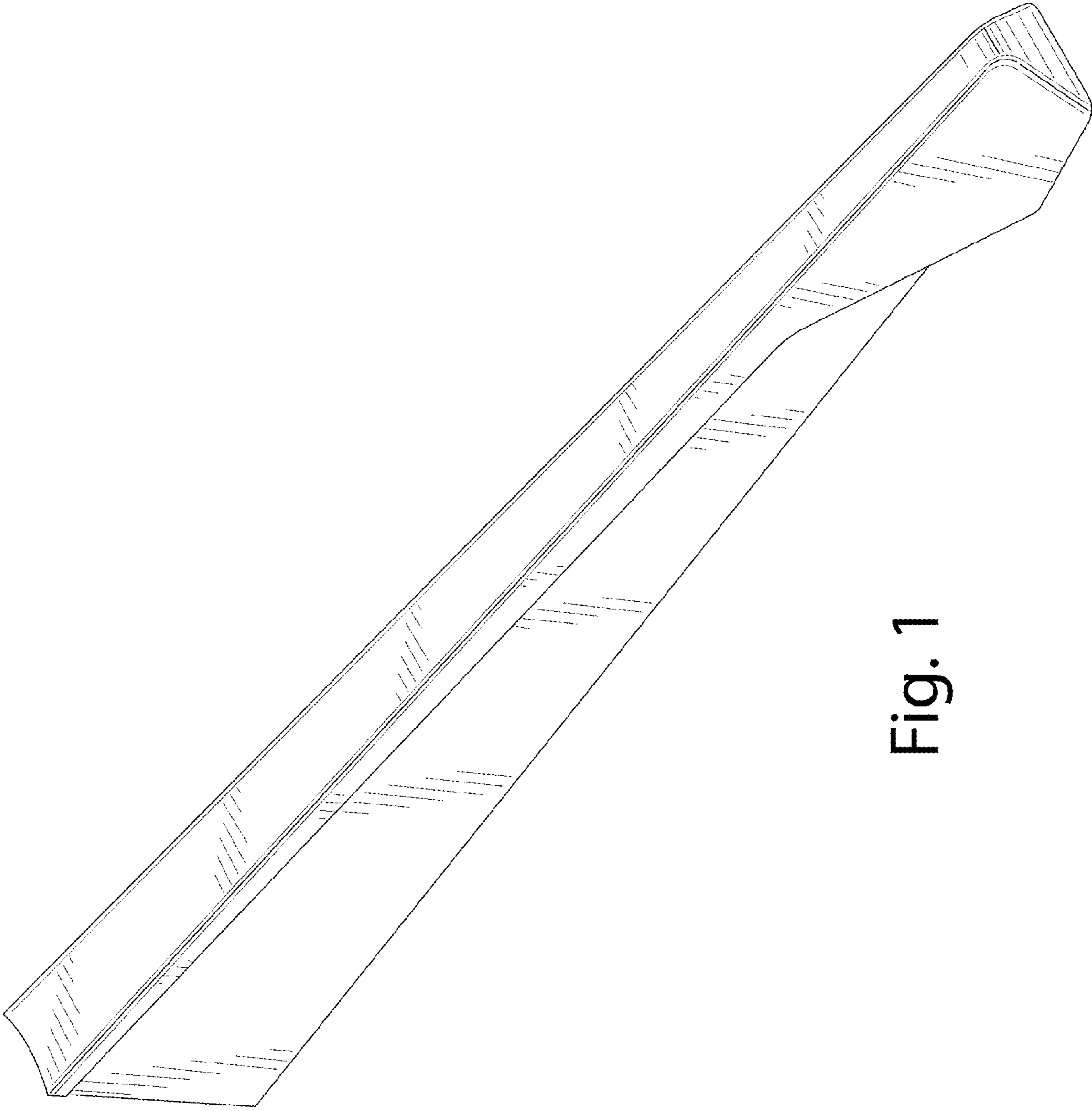


Fig. 1

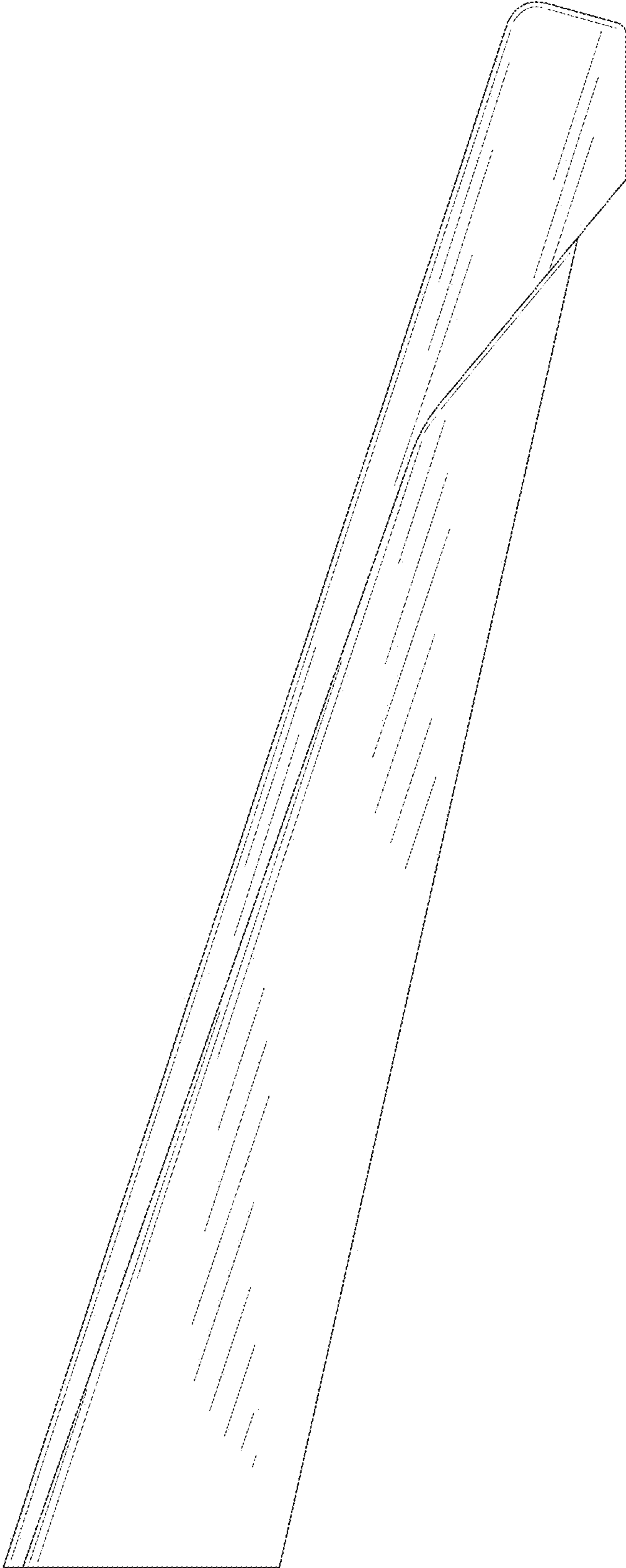


Fig. 2

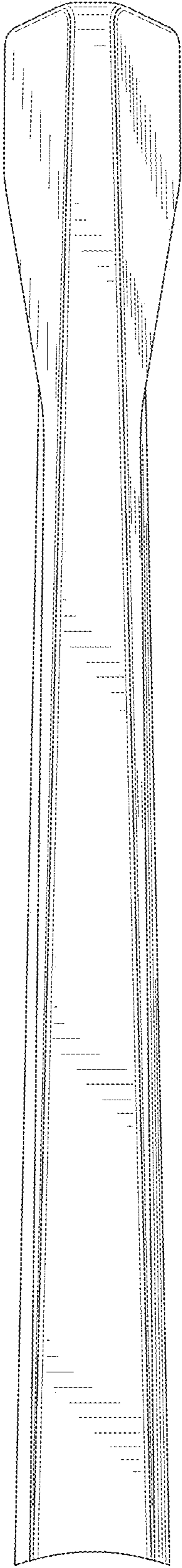


Fig. 3

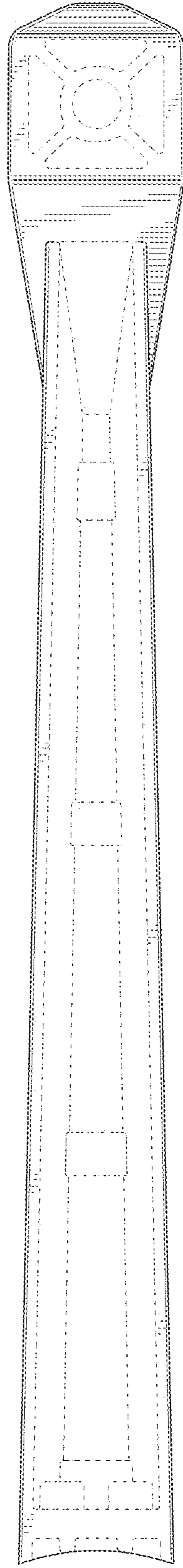


Fig. 4

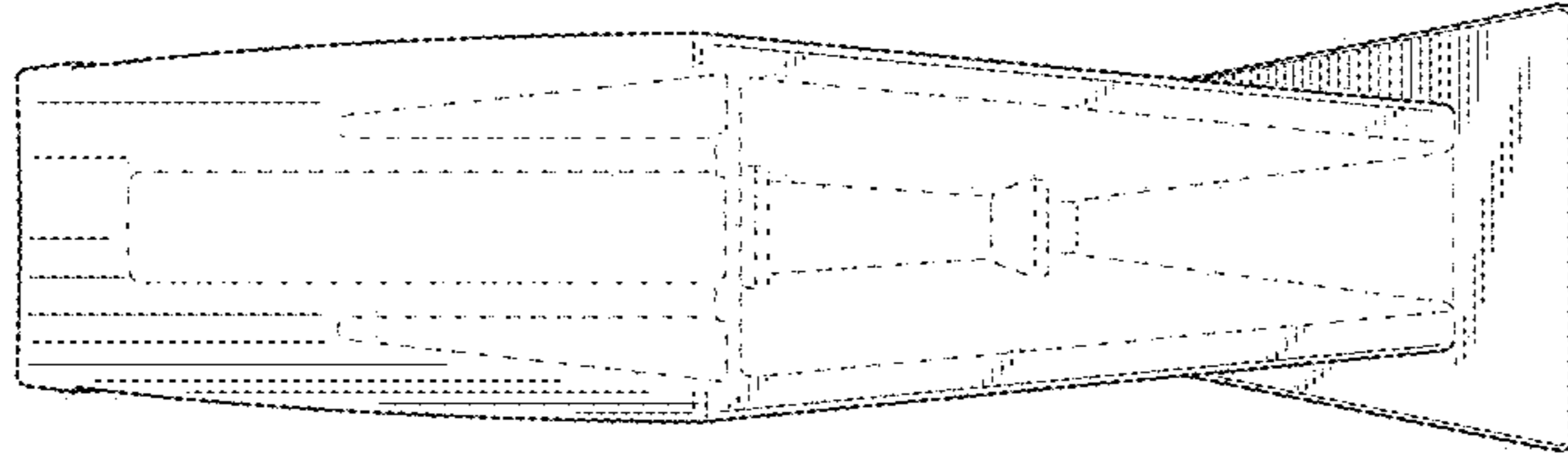


Fig. 6

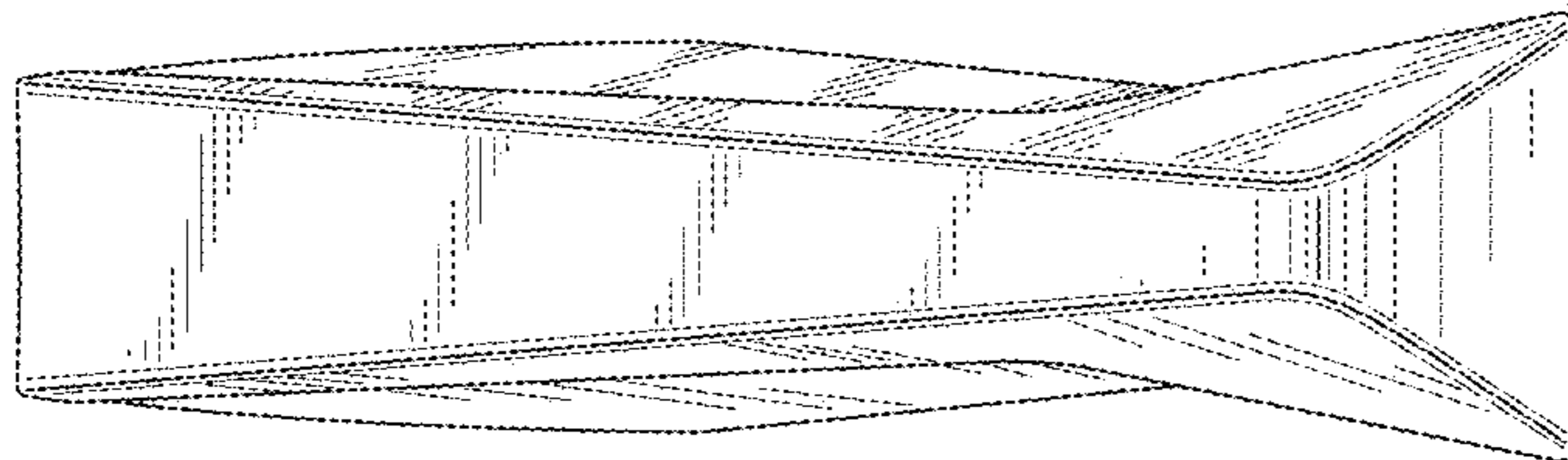


Fig. 5