



US00D893928S

(12) **United States Design Patent**
Livingston

(10) **Patent No.:** **US D893,928 S**

(45) **Date of Patent:** **** Aug. 25, 2020**

(54) **TABLE**

(71) Applicant: **Roy L. Livingston**, Louisville, KY
(US)

(72) Inventor: **Roy L. Livingston**, Louisville, KY
(US)

(73) Assignee: **Roy L. Livingston**, Louisville, KY
(US)

(**) Term: **15 Years**

(21) Appl. No.: **29/673,761**

(22) Filed: **Dec. 18, 2018**

(51) **LOC (12) Cl.** **06-03**

(52) **U.S. Cl.**
USPC **D6/691**

(58) **Field of Classification Search**
USPC D6/337, 349, 675, 690, 691, 691.4,
D6/691.5, 691.8, 693.3, 695, 695.5, 697,
D6/708

CPC A47B 7/00; A47B 13/00; A47B 13/02;
A47B 13/04; A47B 13/06; A47B 13/08;
A47B 13/088; A47B 91/00; A47B
91/005; A47B 2200/11; A47B 2200/001;
F16B 7/105

See application file for complete search history.

(56) **References Cited**

U.S. PATENT DOCUMENTS

2,390,546 A * 12/1945 Mather A47C 5/005
108/115
D152,998 S * 3/1949 Martin D6/691
D169,867 S * 6/1953 Sanford D6/691.5
D201,558 S * 7/1965 Reyes D6/691.4
D225,712 S * 1/1973 McDonald D6/691
D226,545 S * 3/1973 Hollingsworth D6/349
D238,404 S * 1/1976 Owens D21/522
D265,450 S * 7/1982 Berryman D6/691

D276,675 S * 12/1984 Hamami D6/691
D291,951 S * 9/1987 Lorio D6/697
D292,052 S * 9/1987 Lorio D6/691
D298,595 S * 11/1988 Cionini D6/691
D362,350 S * 9/1995 Tiffany D6/349
6,095,062 A * 8/2000 Mouton A47B 13/06
108/150
D487,204 S * 3/2004 Calaboyias D6/675
D511,257 S * 11/2005 Chabot D6/691.4
D517,842 S * 3/2006 Diekman D6/708
D622,983 S * 9/2010 Juskys D6/691
D626,359 S * 11/2010 Wills D6/690
D655,952 S * 3/2012 McCurry D6/690
D668,463 S * 10/2012 Eicke D6/349

(Continued)

OTHER PUBLICATIONS

“ROIX Design at the ICFE.” Found online Feb. 14, 2020 at
www.roixdesign.com. Page dated May 19, 2016. Retrieved from
URL: <http://roixdesign.com/2016/05/19/roix-design-at-the-icff/> (Year:
2016).*

(Continued)

Primary Examiner — Mary Ann Calabrese

Assistant Examiner — Katelin G Kloberg

(74) *Attorney, Agent, or Firm* — Dinsmore & Shohl LLP

(57) **CLAIM**

The ornamental design for a table, as shown and described.

DESCRIPTION

FIG. 1 is a front perspective view of a table showing my new
design;

FIG. 2 is a top view thereof;

FIG. 3 is a bottom view thereof;

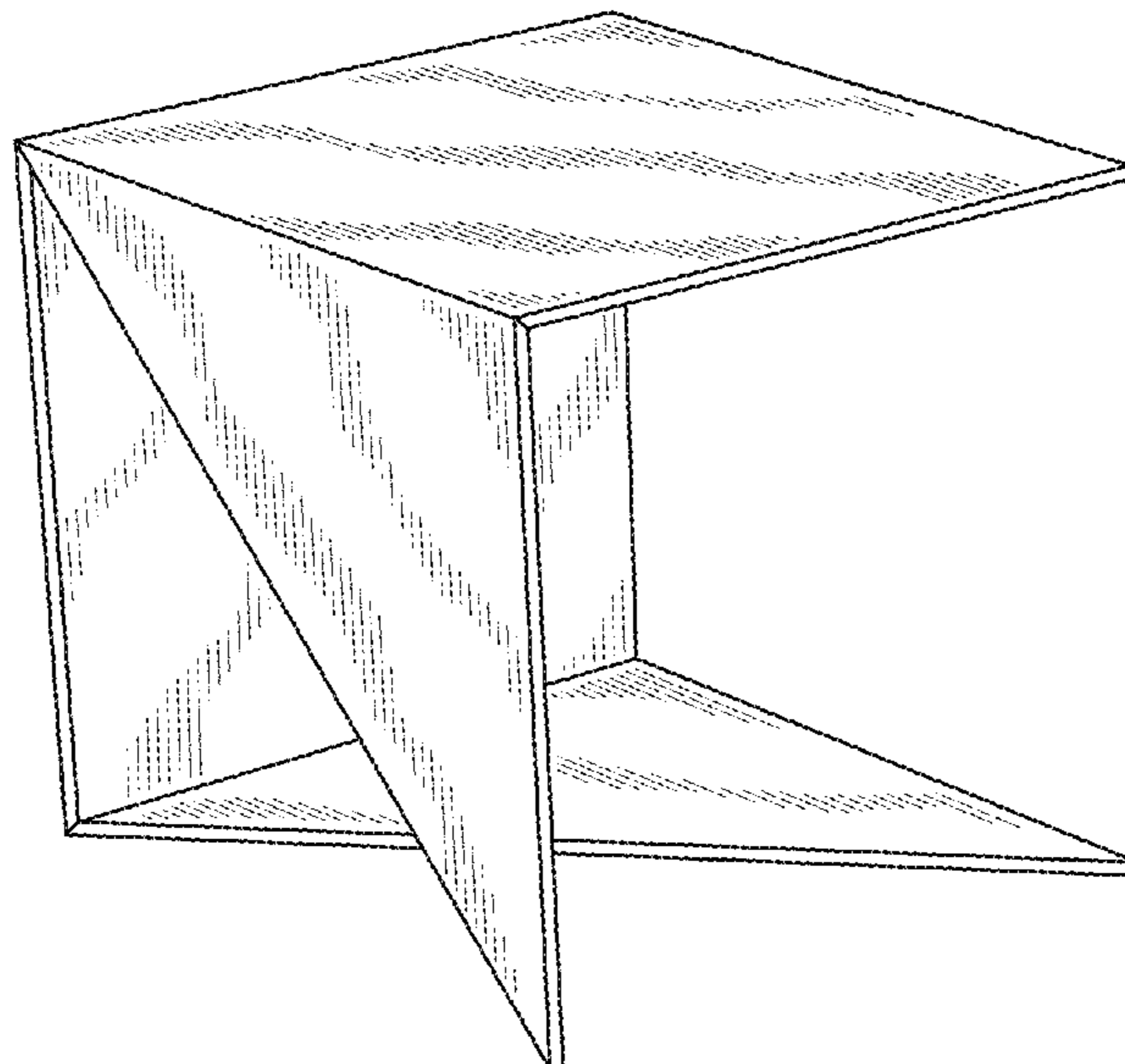
FIG. 4 is a left side view thereof;

FIG. 5 is a right side view thereof;

FIG. 6 is a front view thereof; and,

FIG. 7 is a rear view thereof.

1 Claim, 3 Drawing Sheets



(56)

References Cited

U.S. PATENT DOCUMENTS

D668,893 S	*	10/2012	Lehman-Smith	D6/708
D737,611 S	*	9/2015	Sherman	D6/693.3
D746,153 S	*	12/2015	Nishikawa	D9/708
D767,924 S		10/2016	Livingston	
D776,470 S	*	1/2017	Heck	D6/691
D778,645 S	*	2/2017	Merritt	D6/691
D795,616 S	*	8/2017	Muller	D6/695
D813,559 S	*	3/2018	Prine, III	D6/337
D817,035 S	*	5/2018	Scherer	D6/649
D864,632 S	*	10/2019	Sergeant	D6/691

OTHER PUBLICATIONS

“ROIX Design: TS Series table No. 5 Volo.” Found online Feb. 14, 2020 at www.roixdesign.com. Page dated Oct. 28, 2018. Retrieved from URL: <http://roixdesign.com/portfolio-item/ts-series-table-no-5-volo/> (Year: 2018).*

“ROIX Design Volo Spec Sheet.” Found online Feb. 14, 2020 at www.roixdesign.com. Page dated May 19, 2019. Retrieved from URL: <http://roixdesign.com/roix-design-volo-spec-sheet/> (Year: 2019).*

“1960s Vintage Origami Side Tables.” Found online Feb. 14, 2020 at www.chairish.com. Period piece was created: 1960s. Retrieved from URL: <https://www.chairish.com/product/2143425/1960s-vintage-origami-side-tables-a-pair> (Year: 1960).*

“Facebook—ICFF added a new photo.” Found online Feb. 14, 2020 at www.facebook.com. Photo dated Jul. 18, 2017. Retrieved from URL: <https://www.facebook.com/ICFFdesign/photos/a.606491336122554/1192886417483040/?type=3&theater> (Year: 2017).*

“CFC—Triangle Short.” Found online Feb. 14, 2020 at www.customfurniturela.com. Page archived Dec. 29, 2017. Retrieved from URL: <https://web.archive.org/web/20171229180115/http://www.customfurniturela.com/product/Details/CM232-S> (Year: 2017).*

“Cream Lacquered Steel Triangular Low Table.” Found online Feb. 14, 2020 at www.1stdibs.com. Date of manufacture: 2014. Retrieved from URL: https://www.1stdibs.com/furniture/tables/side-tables/cream-lacquered-steel-triangular-low-table/id_f_1873892/ (Year: 2014).*

“10 Martini Tables That’ll Stand by Your Side.” Found online Feb. 14, 2020 at www.phgmag.com. Page dated Aug. 16, 2018. Retrieved from URL: <https://www.phgmag.com/10-martini-tables-thatll-stand-by-your-side/> (Year: 2018).*

“Dezeen—ORI sto by Jakub Piotr Kalinowski.” Found online Feb. 14, 2020 at www.dezeen.com. Page dated Sep. 15, 2009. Retrieved from URL: <https://www.dezeen.com/2009/09/15/ori-sto-by-jakub-piotr-kalinowski/> (Year: 2009).*

* cited by examiner

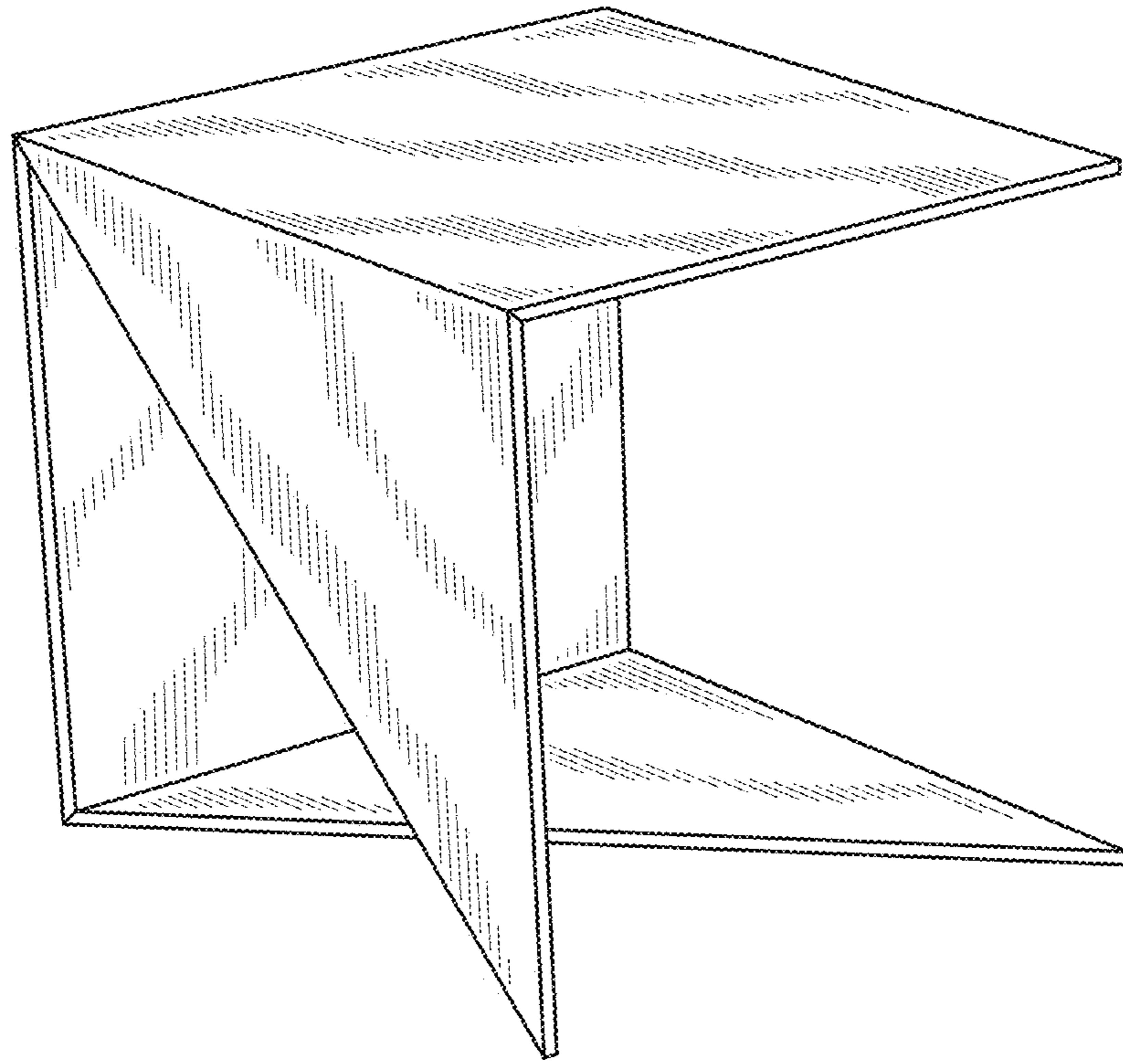


FIG. 1

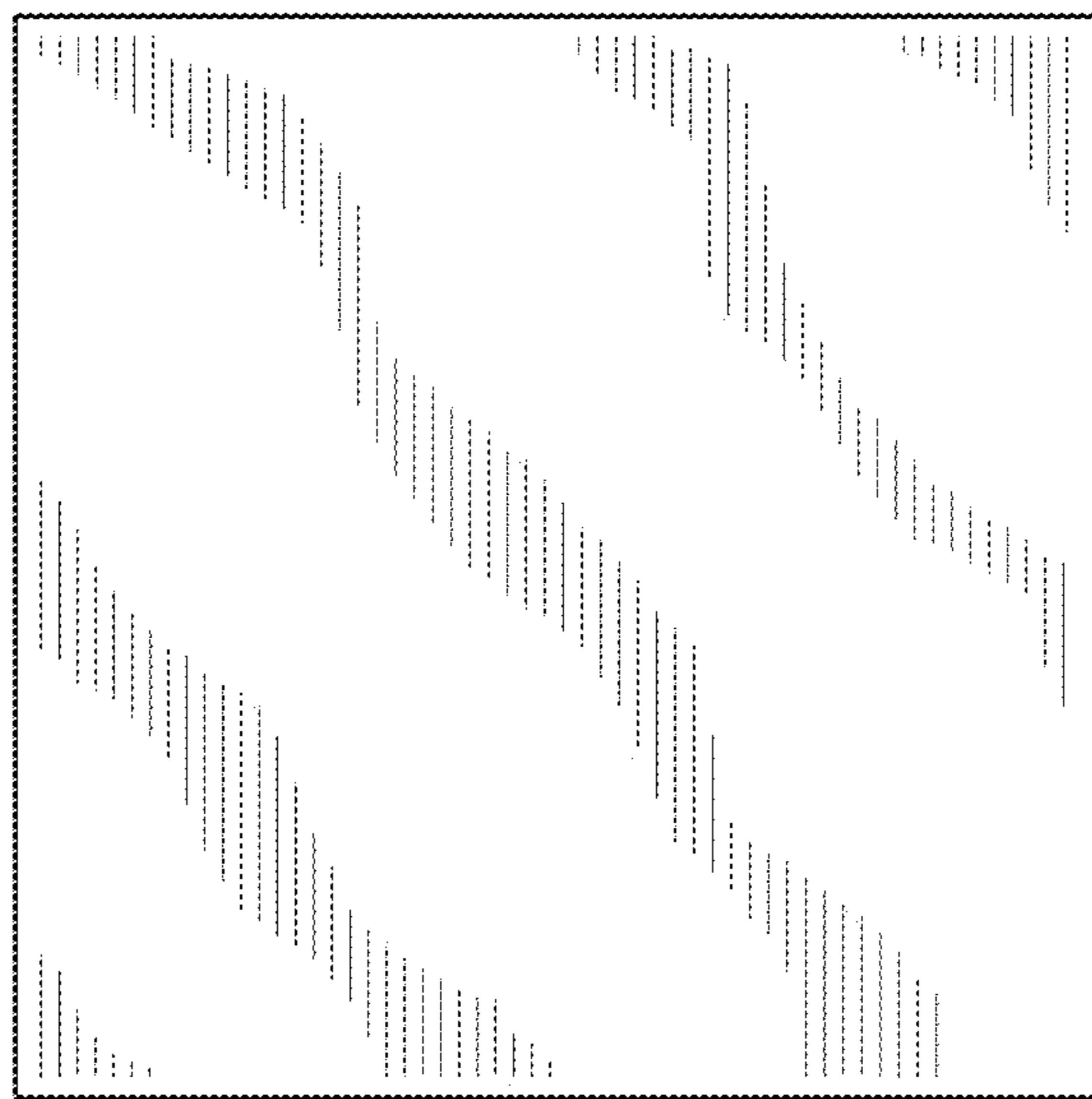


FIG. 2

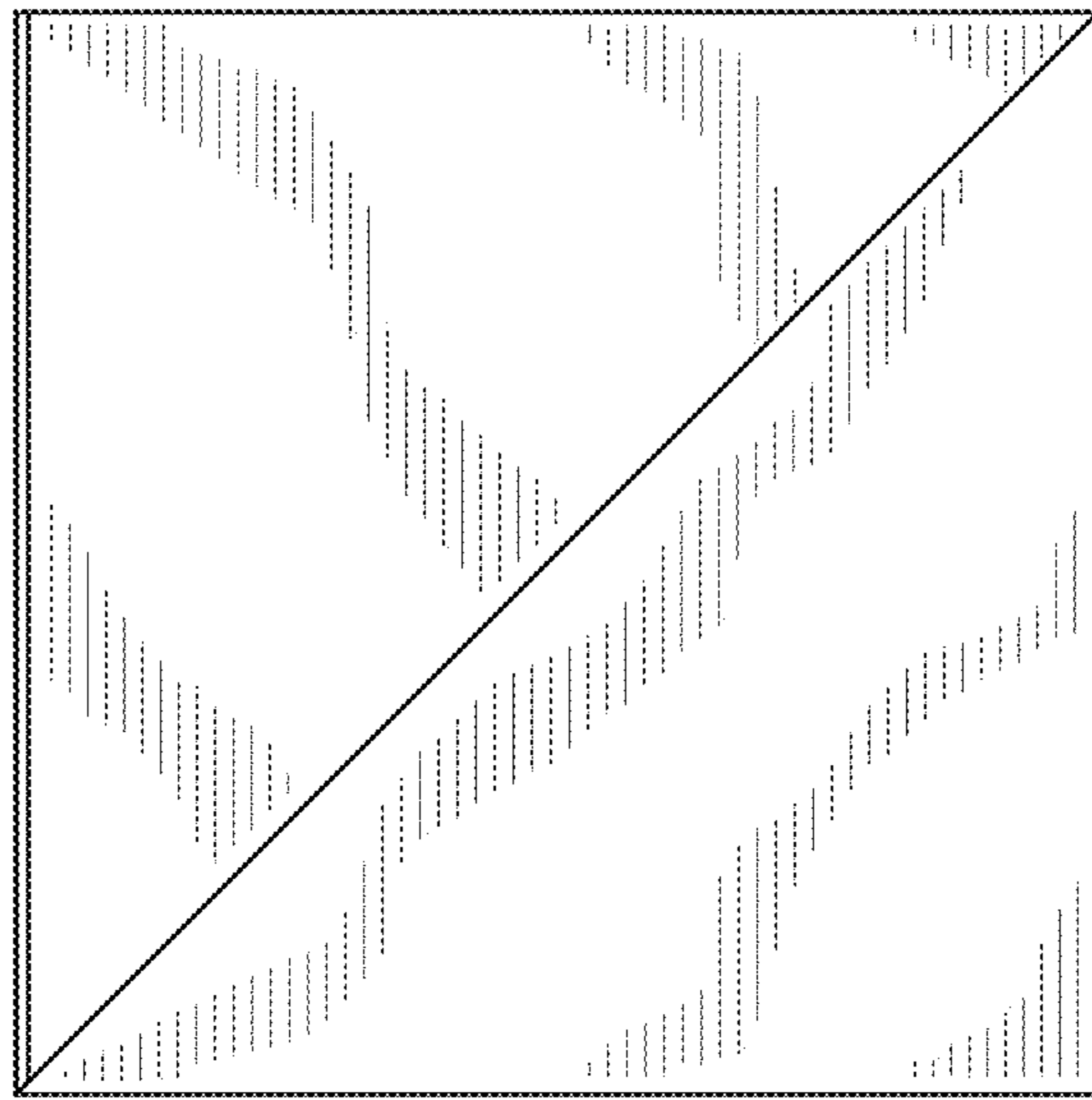


FIG. 3

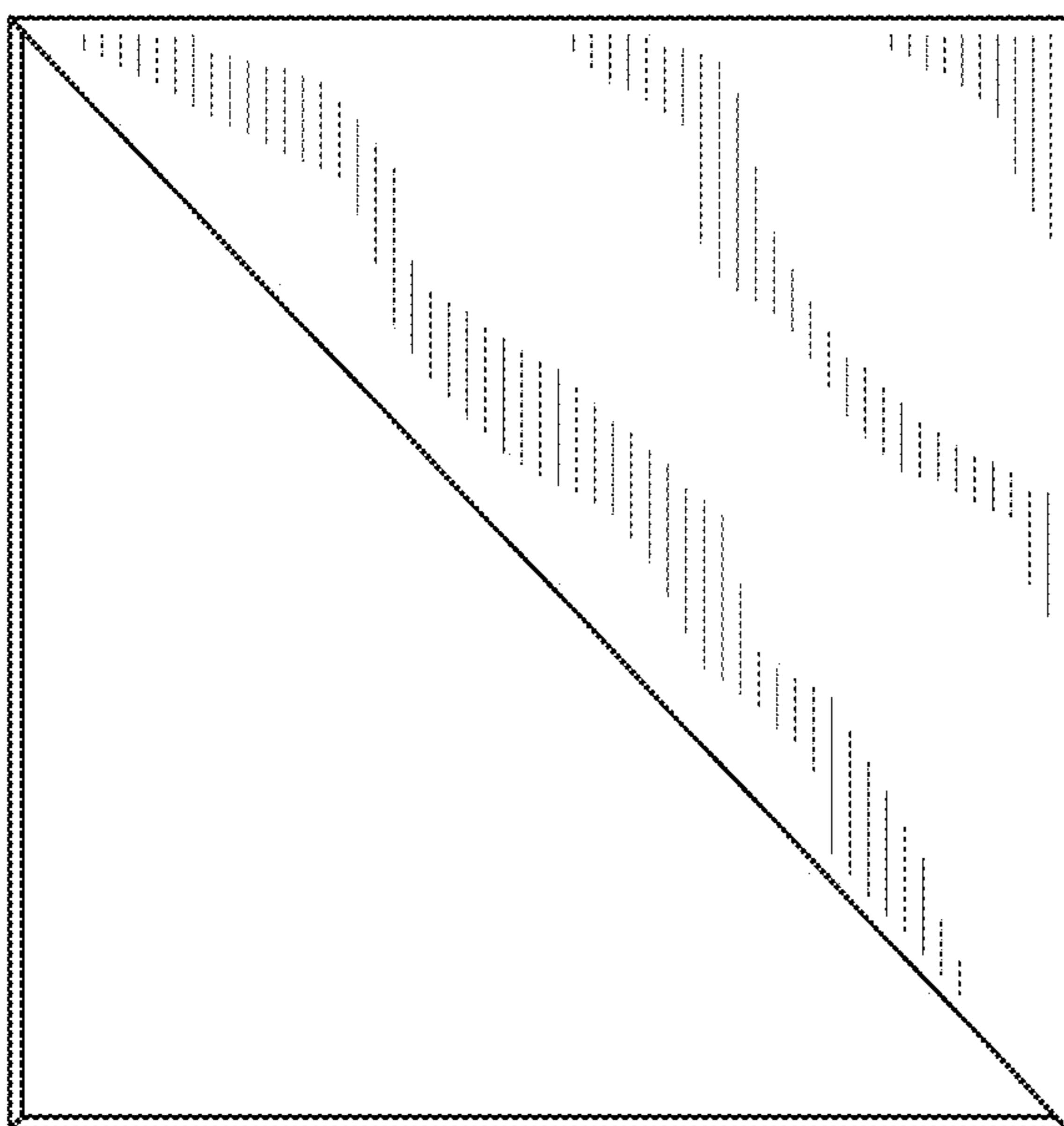


FIG. 4

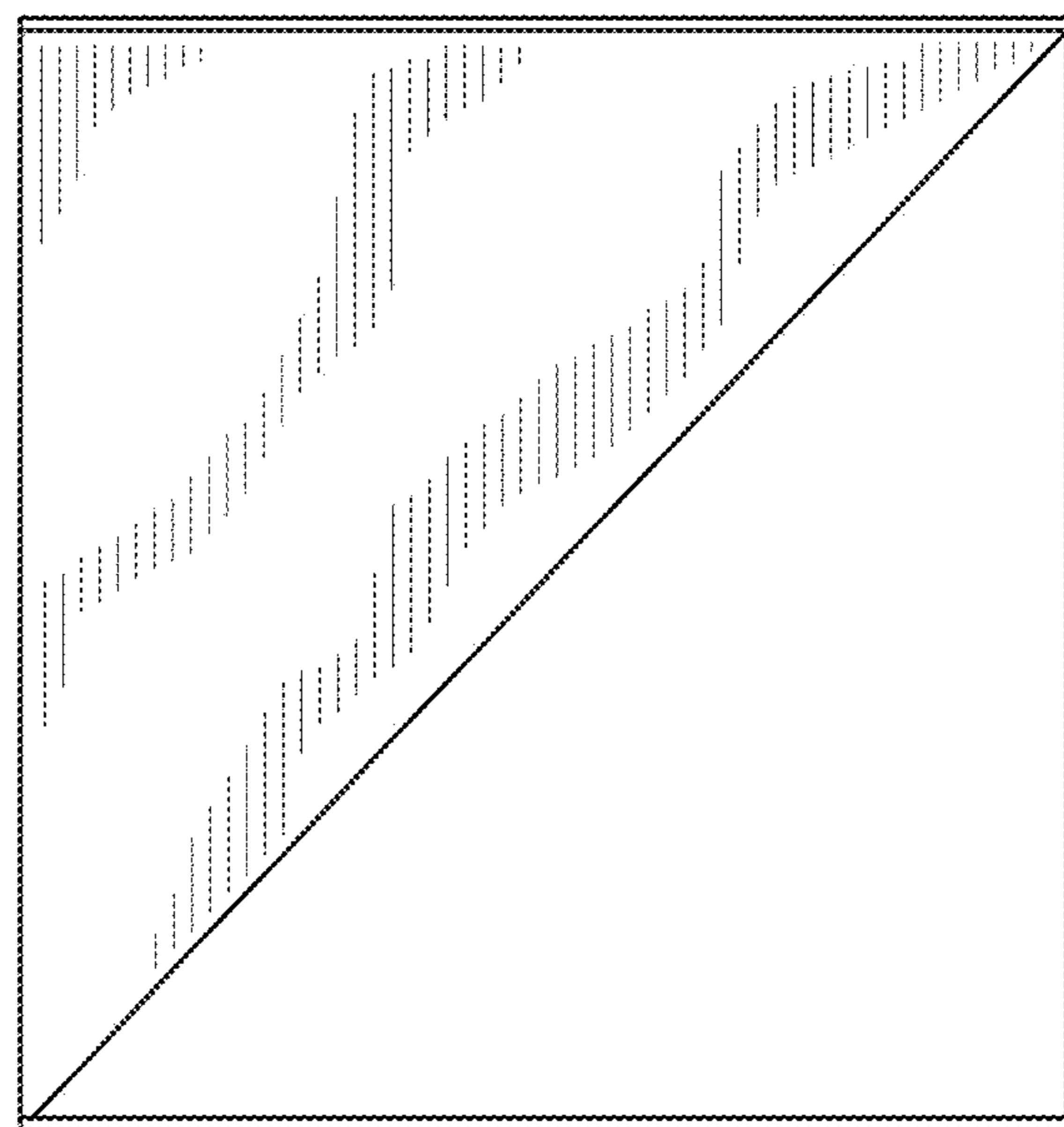


FIG. 5

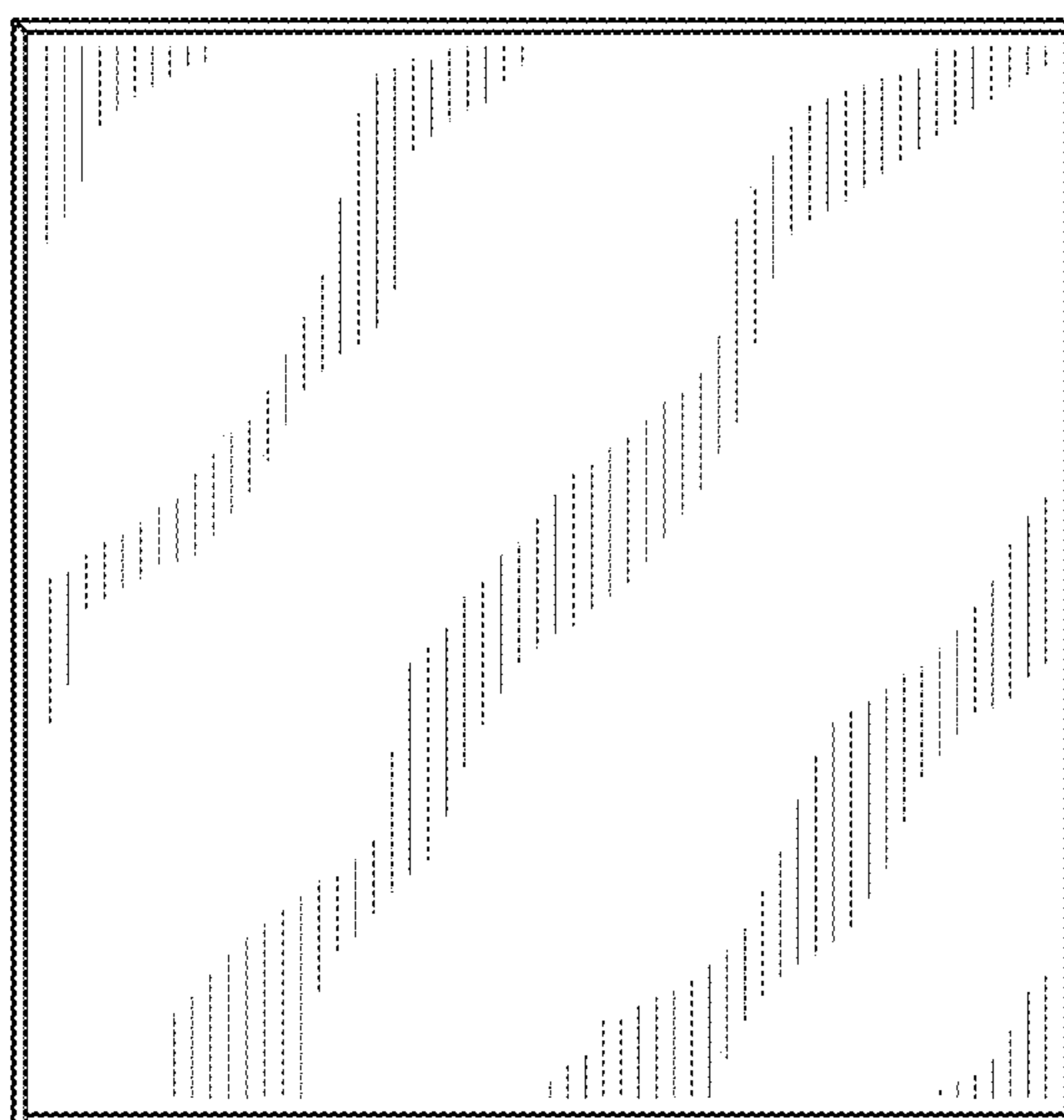


FIG. 6

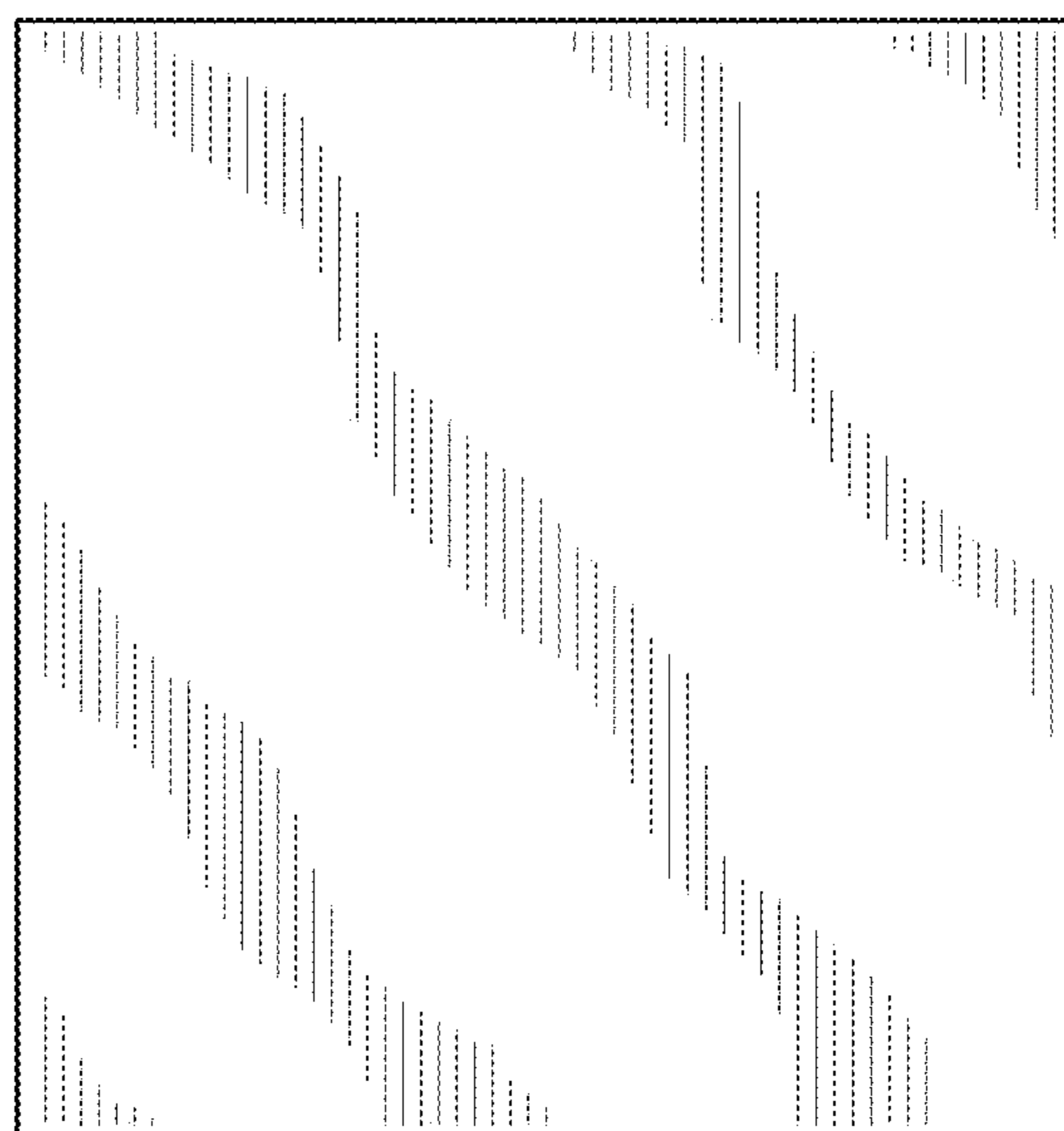


FIG. 7