



US00D893926S

(12) **United States Design Patent** (10) **Patent No.:** **US D893,926 S**  
**Yang et al.** (45) **Date of Patent:** **\*\* Aug. 25, 2020**

(54) **PRODUCT RETAINER**

(71) Applicant: **Apple Inc.**, Cupertino, CA (US)  
(72) Inventors: **Sheng Yang**, Mountain View, CA (US);  
**Olivia M. Ching**, Mountain View, CA (US); **Chien Tsun Chen**, Taipei (TW);  
**Eric Weijia Wang**, Newark, CA (US); **Allison Inouye**, San Francisco, CA (US);  
**Kristy Judy Hsu**, San Jose, CA (US); **Po Huang**, San Jose, CA (US);  
**Jean-Marc Gady**, Los Altos, CA (US); **Peter Russell-Clarke**, San Francisco, CA (US);  
**Daniele De Iuliis**, San Francisco, CA (US); **Jeremy Bataillou**, San Francisco, CA (US);  
**Shota Aoyagi**, San Francisco, CA (US); **Jody Akana**, San Francisco, CA (US)

(73) Assignee: **Apple Inc.**, Cupertino, CA (US)

(\*\*) Term: **15 Years**

(21) Appl. No.: **29/695,817**

(22) Filed: **Jun. 21, 2019**

(51) **LOC (12) Cl.** ..... **06-06**

(52) **U.S. Cl.**  
USPC ..... **D6/682.3**

(58) **Field of Classification Search**  
USPC ..... D6/672-673, 512-513, 553, 680.2, 682, D6/682.3; D14/457; D8/354; D16/200-202, 203, 208, 218, 219  
CPC ..... A47B 2097/005; A47B 2097/006; A47F 5/0081; A47F 5/04; A47F 5/12  
See application file for complete search history.

(56) **References Cited**

U.S. PATENT DOCUMENTS

D348,159 S \* 6/1994 Krippez, Jr. .... D15/140  
D407,408 S \* 3/1999 Hoff ..... D14/253

D637,593 S \* 5/2011 Zanetti ..... D14/253  
D655,282 S \* 3/2012 Richter ..... D14/253  
D670,691 S \* 11/2012 Novak ..... D14/253  
D696,259 S \* 12/2013 Howarth ..... D14/447  
D737,081 S 8/2015 Schwalbach et al.  
D740,060 S \* 10/2015 Akana ..... D6/682.5  
D765,064 S \* 8/2016 Wengreen ..... D14/238.1  
D804,811 S \* 12/2017 Davis ..... D3/222  
D868,054 S \* 11/2019 Kim ..... D14/253  
D870,095 S \* 12/2019 Hu ..... D14/253  
D873,260 S \* 1/2020 Dang ..... D14/253  
D879,519 S \* 3/2020 Schwalbach ..... D6/682.3  
D884,711 S \* 5/2020 Zhang ..... D14/447  
2011/0187531 A1 \* 8/2011 Oehl ..... G08B 13/1445  
340/568.1

(Continued)

*Primary Examiner* — Kelley A Donnelly  
(74) *Attorney, Agent, or Firm* — Sterne, Kessler, Goldstein & Fox P.L.L.C.

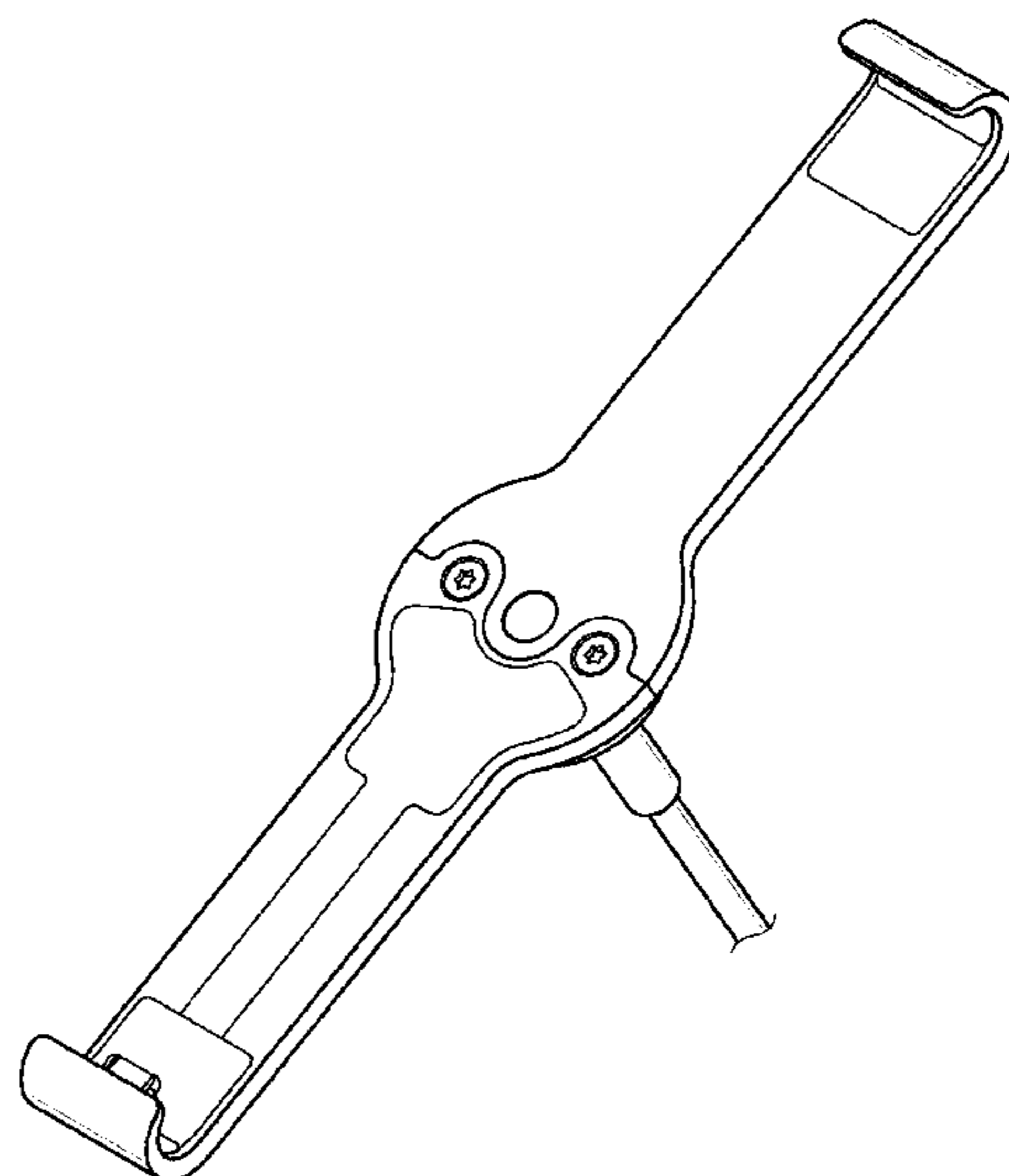
(57) **CLAIM**

The ornamental design for a product retainer, as shown and described.

**DESCRIPTION**

FIG. 1 is a top front perspective view of a product retainer showing the claimed design;  
FIG. 2 is a front view thereof;  
FIG. 3 is a rear view thereof;  
FIG. 4 is a left side view thereof;  
FIG. 5 is a right side view thereof;  
FIG. 6 is a top view thereof;  
FIG. 7 is a bottom view thereof;  
FIG. 8 is a top front perspective view thereof showing the claimed design in an environment in which it may be used; and,  
FIG. 9 is a bottom rear perspective view thereof.  
The broken lines in the figures show environment that forms no part of the claimed design.

**1 Claim, 5 Drawing Sheets**



(56)

**References Cited**

U.S. PATENT DOCUMENTS

2012/0280810 A1\* 11/2012 Wheeler ..... G08B 13/1445  
340/539.11  
2014/0106608 A1\* 4/2014 Howarth ..... A47F 7/0246  
439/531

\* cited by examiner

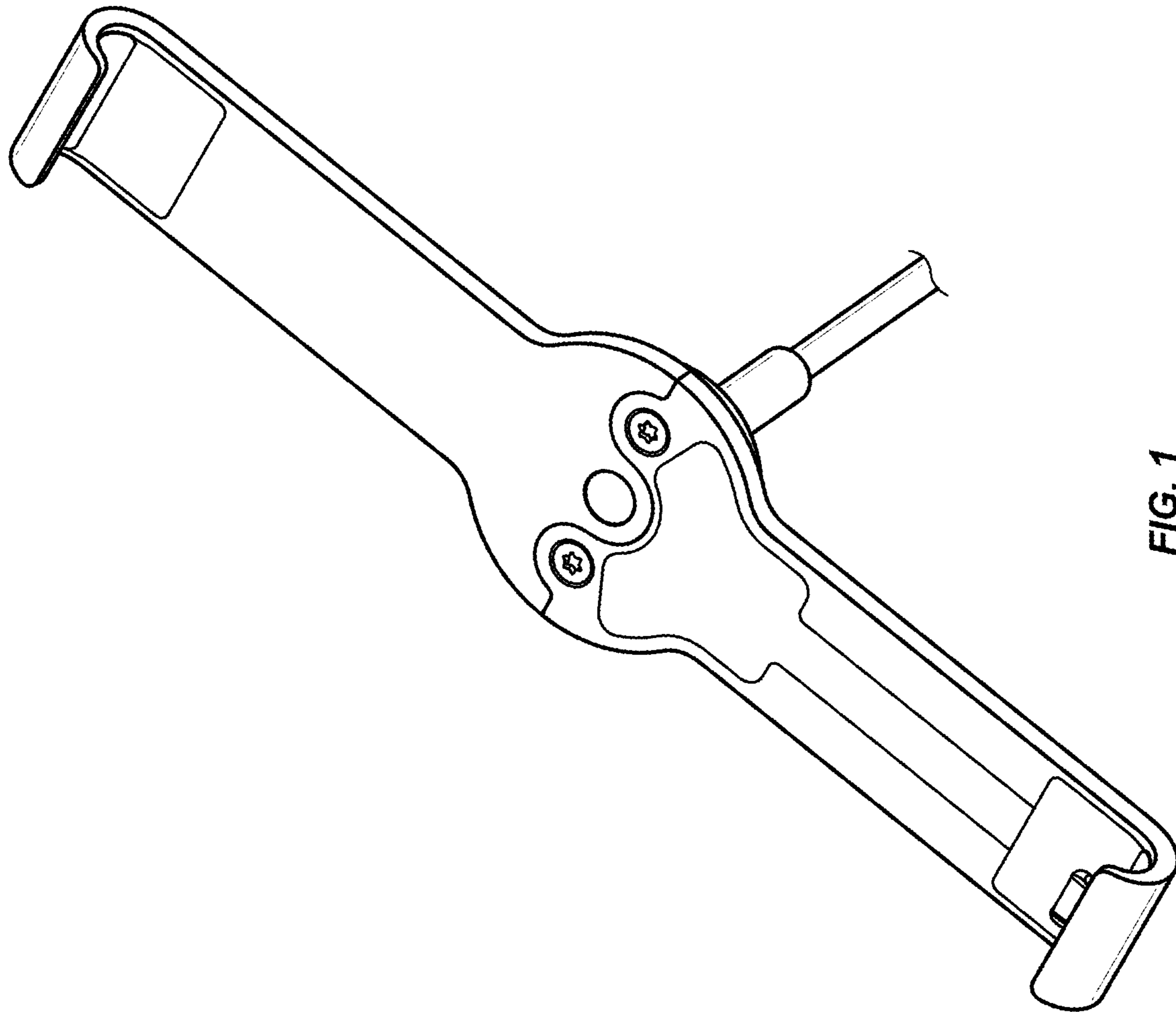


FIG. 1

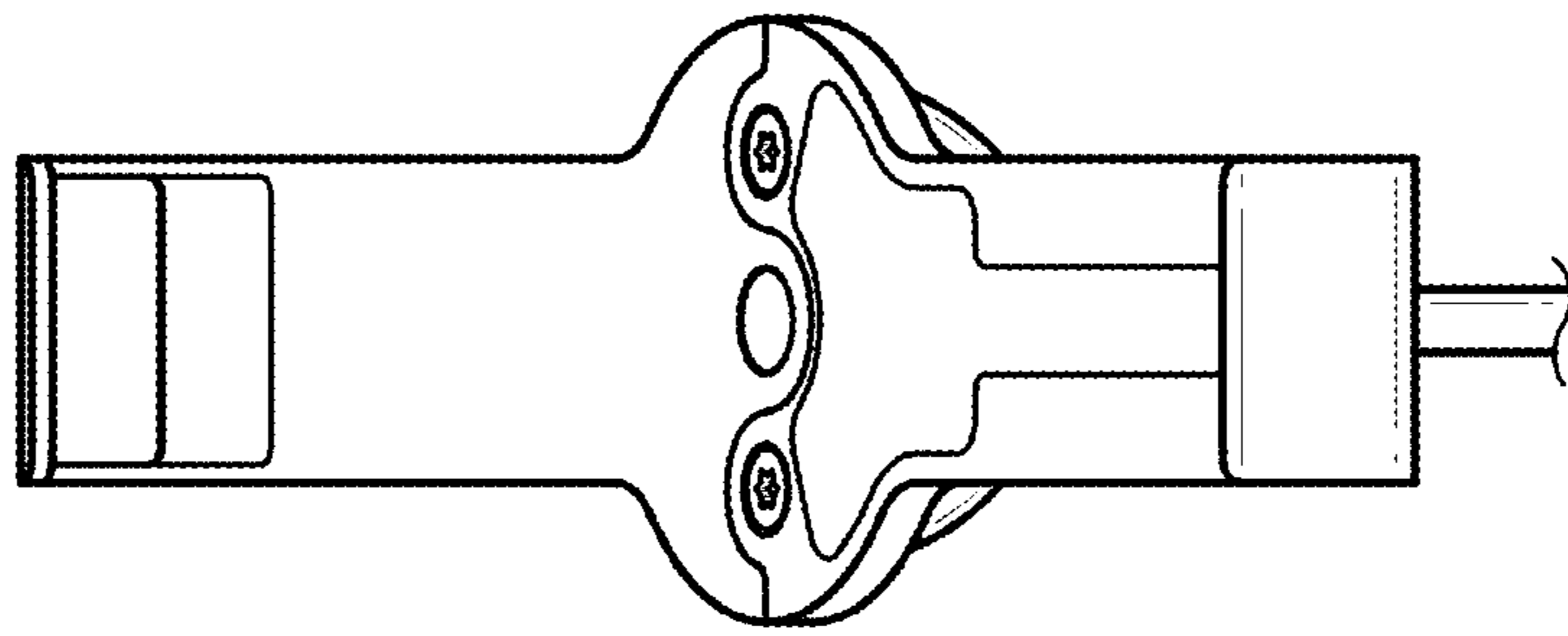


FIG. 2

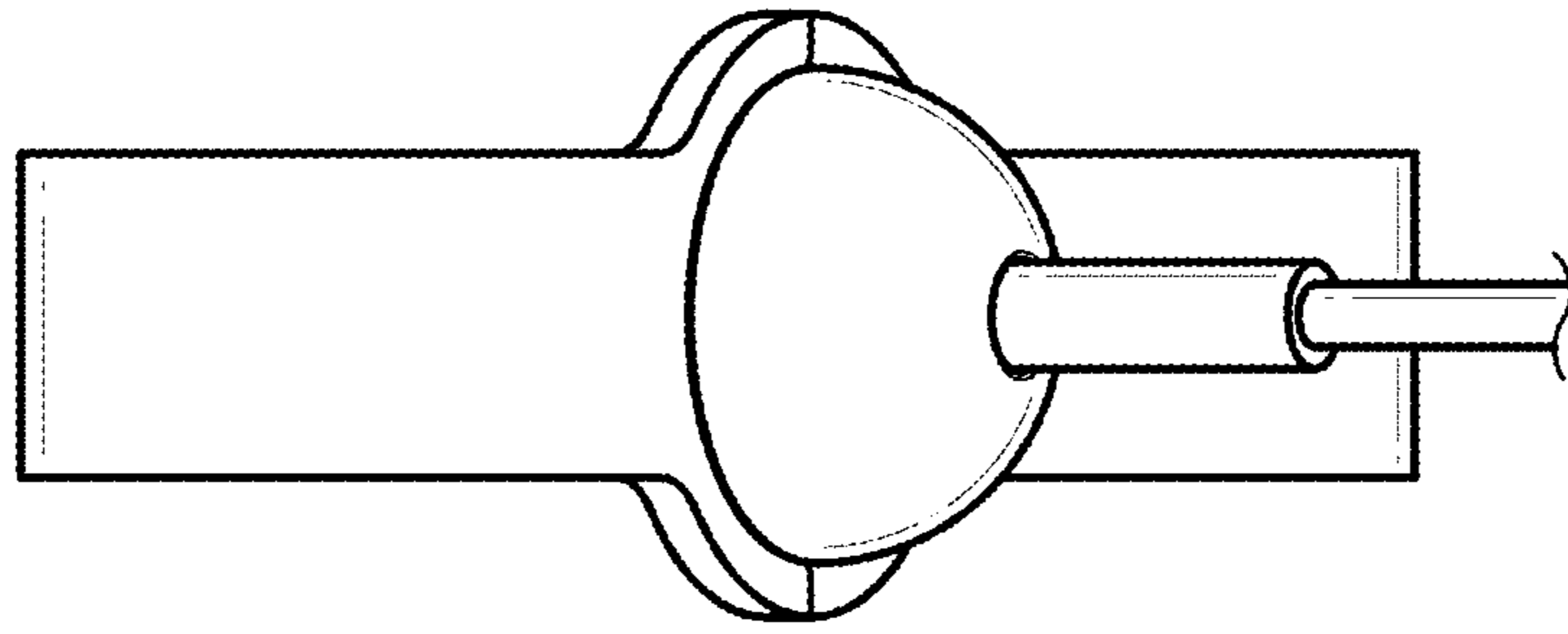


FIG. 3

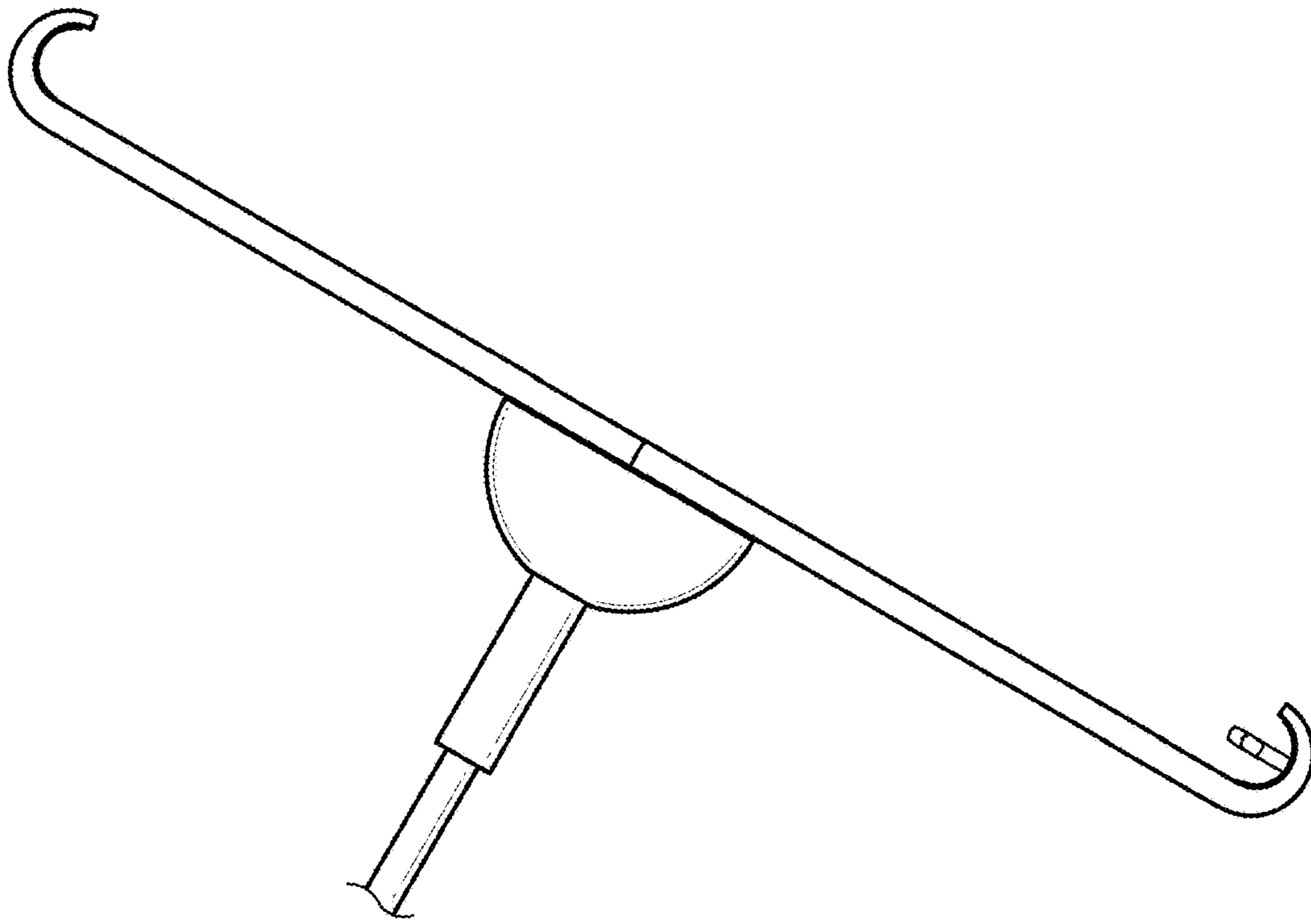


FIG. 4

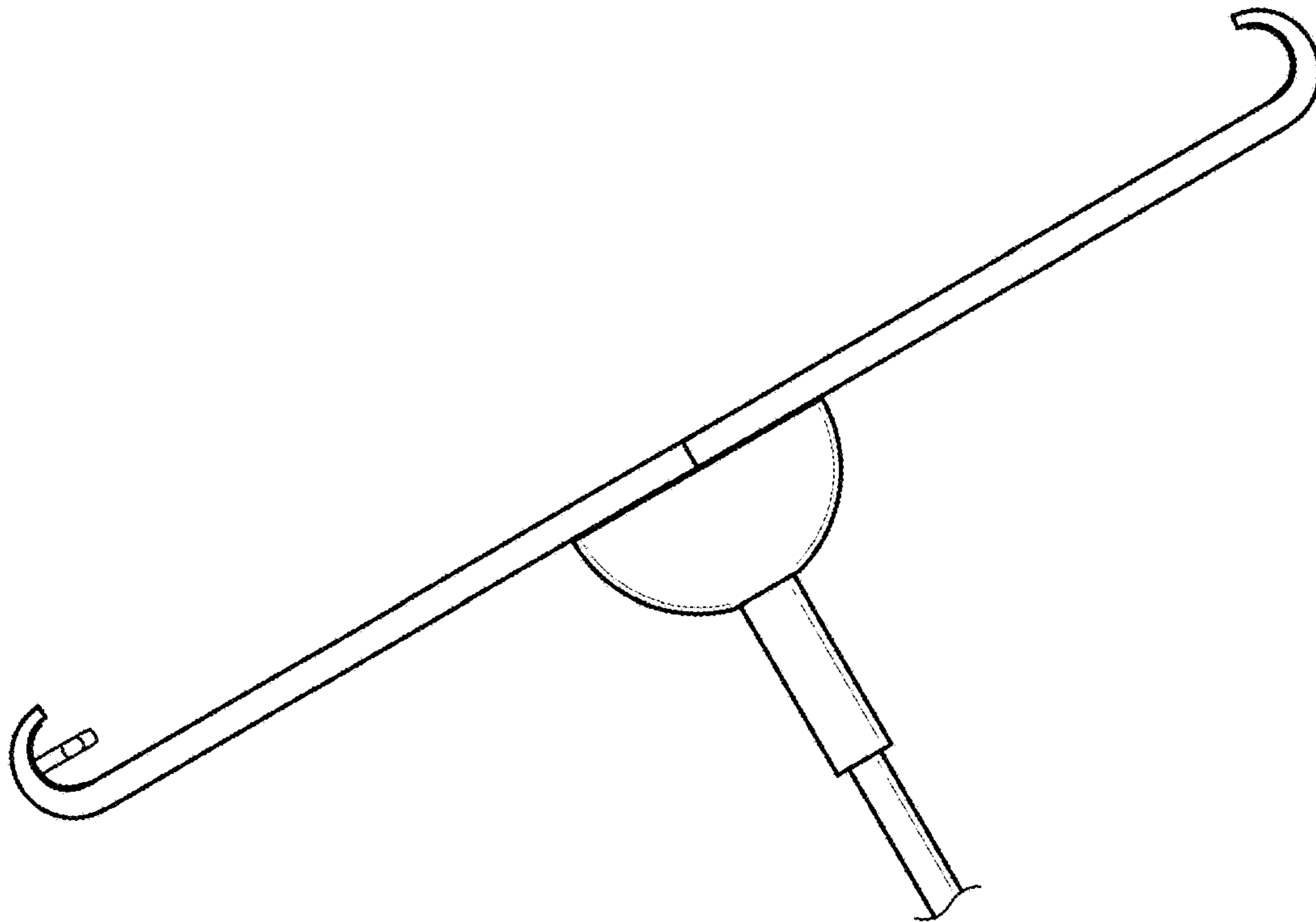


FIG. 5

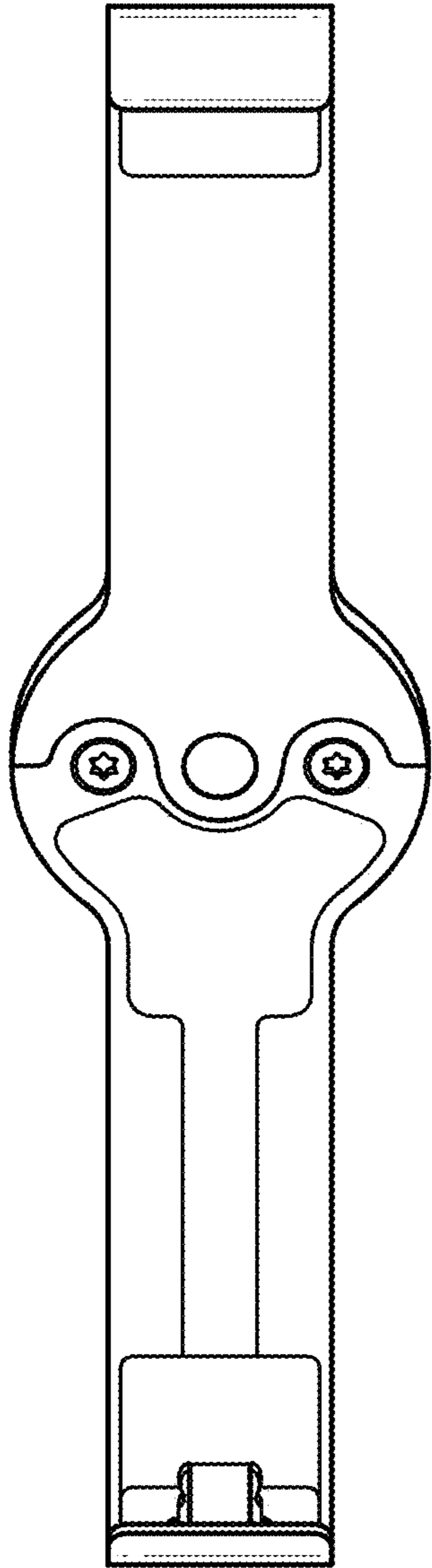


FIG. 6

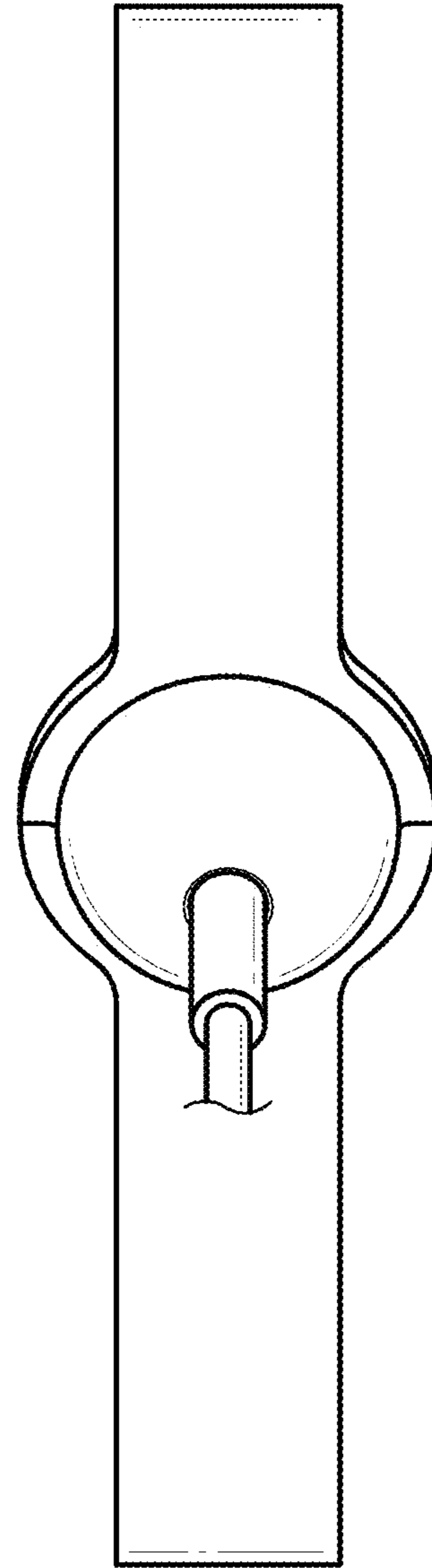


FIG. 7



FIG. 8

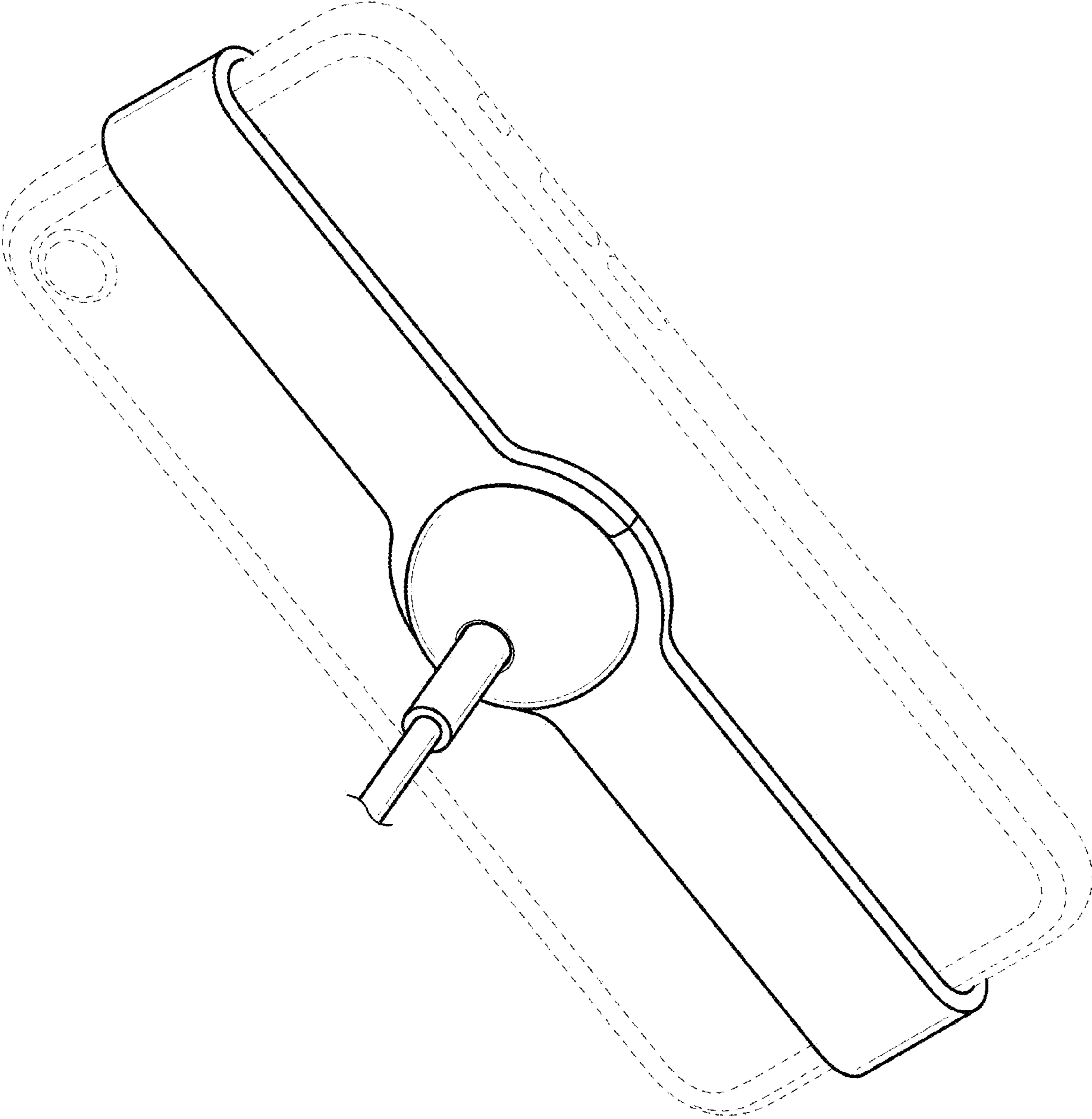


FIG. 9