



US00D893923S

(12) **United States Design Patent** (10) **Patent No.:** **US D893,923 S**  
**Brugger et al.** (45) **Date of Patent:** **\*\* Aug. 25, 2020**

(54) **RETAIL FIXTURE**

FOREIGN PATENT DOCUMENTS

(71) Applicant: **Apple Inc.**, Cupertino, CA (US)

EM 002886234-0011 2/2016  
EM 002992065-0002 2/2016

(72) Inventors: **Alice Marlin Brugger**, San Francisco, CA (US); **Manuel Dejesus**, San Francisco, CA (US); **Joshua Robert Edwards**, Santa Cruz, CA (US); **Jean-Marc Gady**, Los Altos, CA (US); **Wesley Bryan Hamm**, San Francisco, CA (US); **Russell John Kaaihue Heirakuji**, Cupertino, CA (US); **Allison Inouye**, San Francisco, CA (US); **Moritz Wilsberg**, Rheinbreitbach (DE)

(Continued)

OTHER PUBLICATIONS

Japanese Patent Office document HB23000547, Nachrichten, Feb. 2011 (2 Pages).  
Japanese Patent Office document HC14036518 (2 Pages).

*Primary Examiner* — Kelley A Donnelly  
(74) *Attorney, Agent, or Firm* — Sterne, Kessler, Goldstein & Fox P.L.L.C.

(73) Assignee: **Apple Inc.**, Cupertino, CA (US)

(\*\*) Term: **15 Years**

(57) **CLAIM**

The ornamental design for a retail fixture, as shown and described.

(21) Appl. No.: **29/727,169**

(22) Filed: **Mar. 9, 2020**

**DESCRIPTION**

**Related U.S. Application Data**

(63) Continuation of application No. 29/681,841, filed on Feb. 28, 2019, now Pat. No. Des. 877,548, which is (Continued)

(51) **LOC (12) Cl.** ..... **06-06**

(52) **U.S. Cl.**  
USPC ..... **D6/675**

(58) **Field of Classification Search**  
USPC ..... D6/672, 675, 675.1, 678, 678.1, 682, D6/682.3, 682.4, 683, 683.1  
(Continued)

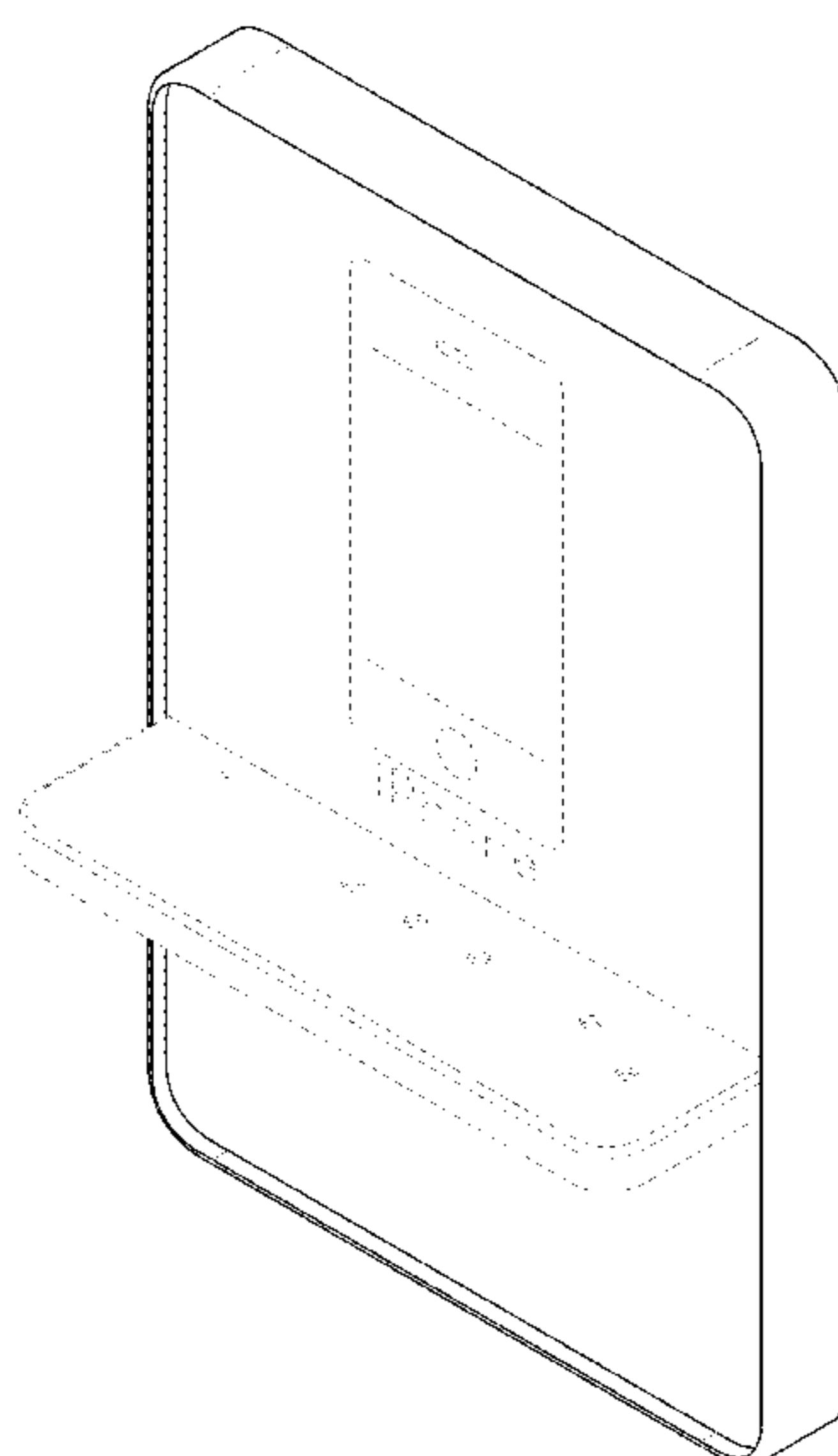
FIG. 1 is a top front perspective view of a retail fixture showing the claimed design;  
FIG. 2 is a front view thereof;  
FIG. 3 is a rear view thereof;  
FIG. 4 is a left side view thereof;  
FIG. 5 is a right side view thereof;  
FIG. 6 is a top view thereof;  
FIG. 7 is a bottom view thereof;  
FIG. 8 is a top front perspective view of another retail fixture showing the claimed design;  
FIG. 9 is a front view thereof;  
FIG. 10 is a rear view thereof;  
FIG. 11 is a left side view thereof;  
FIG. 12 is a right side view thereof;  
FIG. 13 is a top view thereof; and,  
FIG. 14 is a bottom view thereof.  
The broken lines in the figures show portions of the retail fixture that form no part of the claimed design.

(56) **References Cited**

U.S. PATENT DOCUMENTS

435,254 A 8/1890 Straughan  
455,280 A 6/1891 Emerson  
(Continued)

**1 Claim, 10 Drawing Sheets**



**Related U.S. Application Data**

a continuation of application No. 29/656,127, filed on Jul. 10, 2018, now Pat. No. Des. 867,035.

(58) **Field of Classification Search**

CPC ..... A47B 73/00; A47B 73/002; A47B 47/00; A47B 47/008; A47B 47/25; A47F 5/00; A47F 5/0062

See application file for complete search history.

(56)

**References Cited**

U.S. PATENT DOCUMENTS

464,148 A 12/1891 Campbell  
 D41,125 S 1/1911 Klee  
 D144,844 S 5/1945 Dunham  
 3,014,773 A 12/1961 Foote, Jr. et al.  
 3,408,128 A 10/1968 Kump  
 D212,886 S 12/1968 Gordon  
 D218,325 S 8/1970 Sherman  
 3,721,413 A 3/1973 Robinson  
 3,740,881 A 6/1973 Finger  
 D232,289 S 8/1974 Moretine  
 4,116,509 A 9/1978 Smith  
 D250,868 S 1/1979 Ornatek  
 4,144,664 A 3/1979 De Korte  
 4,193,650 A 3/1980 Gray et al.  
 D256,197 S 8/1980 Kates  
 D262,664 S 1/1982 Willits, Jr.  
 D264,731 S 6/1982 Shuman  
 D265,618 S 8/1982 Robertson et al.  
 D274,203 S 6/1984 Evered  
 D277,057 S 1/1985 Franklin  
 D279,201 S 6/1985 Shuman  
 D288,997 S 3/1987 Kraynak  
 D290,204 S 6/1987 Bruget  
 D291,512 S 8/1987 Everett  
 D307,079 S 4/1990 Robertson  
 D314,877 S 2/1991 Bush et al.  
 D317,681 S 6/1991 Stewart et al.  
 D321,100 S 10/1991 Dorrell  
 D323,944 S 2/1992 Maas  
 D324,701 S 3/1992 Capps  
 D329,155 S 9/1992 Schremmer  
 D335,963 S 6/1993 Tracey  
 D342,846 S 1/1994 Stefanowicz  
 5,316,156 A 5/1994 Land et al.  
 D347,755 S 6/1994 Houston  
 D351,863 S 10/1994 Sarkisian et al.  
 5,369,553 A 11/1994 Trusiani  
 D354,638 S 1/1995 Todd et al.  
 D359,488 S 6/1995 Hui  
 D362,236 S 9/1995 Dann et al.  
 D365,947 S 1/1996 Howard  
 D369,044 S 4/1996 Lechleiter et al.  
 5,577,817 A 11/1996 Reynolds  
 D377,012 S 12/1996 Oslund  
 5,607,070 A 3/1997 Hellyer  
 D379,377 S 5/1997 Rath  
 D389,345 S 1/1998 Grosfillex  
 D392,686 S 3/1998 Sarkisian et al.  
 D395,677 S 6/1998 Gongora et al.  
 D396,251 S 7/1998 Mortensen  
 D397,562 S 9/1998 DePottey et al.  
 D398,462 S 9/1998 Baluk et al.  
 D398,653 S 9/1998 Hiraguchi et al.  
 D400,737 S 11/1998 DePottey et al.  
 D408,383 S 4/1999 Carter et al.  
 5,890,607 A 4/1999 Maglione  
 D410,036 S 5/1999 Washington  
 D427,808 S 7/2000 Bedard  
 D434,451 S 11/2000 Grimshaw  
 D434,929 S 12/2000 Heiny et al.  
 6,164,467 A 12/2000 DePottey et al.  
 6,170,678 B1 1/2001 de la Fuente  
 D438,256 S 2/2001 Timmermans et al.

D438,403 S 3/2001 Greenburg  
 D439,445 S 3/2001 Riga et al.  
 D442,796 S 5/2001 Brozak, Jr.  
 D443,308 S 6/2001 Kovell  
 D446,821 S 8/2001 Decaux  
 6,357,609 B1 3/2002 Van Noord et al.  
 D457,016 S 5/2002 Dudley  
 D458,059 S 6/2002 Dudley  
 D463,499 S 9/2002 Marcos  
 D465,529 S 11/2002 Hummell  
 D468,134 S 1/2003 Oikawa  
 D470,892 S 2/2003 Linko, Sr.  
 D478,582 S 8/2003 Becker et al.  
 D495,901 S 9/2004 Bosman  
 D497,485 S 10/2004 Resultan  
 D497,486 S \* 10/2004 Quiel ..... D6/332  
 D501,284 S 1/2005 Mount  
 D501,889 S 2/2005 Harris et al.  
 D509,543 S 9/2005 Hillstrom et al.  
 D515,846 S 2/2006 Reeves et al.  
 D521,275 S 5/2006 Dusenberry  
 D522,274 S 6/2006 Coval  
 D538,068 S 3/2007 Newhouse et al.  
 D538,556 S 3/2007 Arias  
 D543,561 S 5/2007 Fogarty et al.  
 7,228,654 B2 6/2007 Stravitz  
 D554,907 S 11/2007 Edison et al.  
 D554,908 S 11/2007 Edison et al.  
 D559,577 S 1/2008 Quinn  
 D559,581 S 1/2008 Knoettgen-Nap  
 D567,535 S \* 4/2008 Hentschker ..... D6/675  
 D576,426 S 9/2008 Yuen-Schat et al.  
 D584,075 S 1/2009 Hung  
 D585,943 S 2/2009 Pymm et al.  
 D590,630 S 4/2009 Singler et al.  
 D591,078 S 4/2009 Singler et al.  
 D591,079 S 4/2009 Singler et al.  
 D591,531 S 5/2009 Sparkowski  
 D591,974 S 5/2009 Singler et al.  
 D591,979 S 5/2009 Singler et al.  
 D592,422 S 5/2009 Rheault  
 D593,775 S 6/2009 Singler et al.  
 D597,340 S 8/2009 Helgesen et al.  
 D607,669 S 1/2010 Trinh et al.  
 D607,670 S 1/2010 Trinh et al.  
 D608,565 S 1/2010 Mori  
 D610,832 S 3/2010 Rheault  
 D613,344 S 4/2010 Hradisky  
 D632,903 S 2/2011 Paul  
 D636,441 S 4/2011 Potts  
 D637,421 S 5/2011 Theisen et al.  
 D637,422 S 5/2011 Theisen et al.  
 D639,086 S 6/2011 Curbbun et al.  
 D641,987 S \* 7/2011 Giroux ..... D6/675  
 D641,988 S \* 7/2011 Giroux ..... D6/675  
 D641,989 S 7/2011 Giroux et al.  
 D641,992 S 7/2011 Giroux et al.  
 D642,360 S 8/2011 West  
 D642,390 S 8/2011 West  
 D642,824 S 8/2011 Theisen et al.  
 D644,039 S 8/2011 Naples et al.  
 D646,503 S 10/2011 Fiori  
 D648,783 S 11/2011 Mathea  
 D649,192 S 11/2011 Beukema et al.  
 D653,475 S 2/2012 Thompson  
 D655,947 S 3/2012 Doane  
 D657,978 S 4/2012 Hamm et al.  
 D658,615 S 5/2012 Chiu  
 D660,361 S 5/2012 Carver, Jr.  
 D661,123 S 6/2012 Curbbun et al.  
 D661,124 S 6/2012 Curbbun et al.  
 D661,922 S 6/2012 Mitri  
 8,228,668 B2 7/2012 Asamarai et al.  
 D671,535 S 11/2012 Terashima et al.  
 D676,430 S 2/2013 Blaser  
 D678,696 S 3/2013 Hamm et al.  
 D678,969 S 3/2013 Oldknow et al.  
 D679,521 S 4/2013 Hamm et al.  
 D680,350 S 4/2013 Peake-Atkins et al.

(56)

References Cited

U.S. PATENT DOCUMENTS

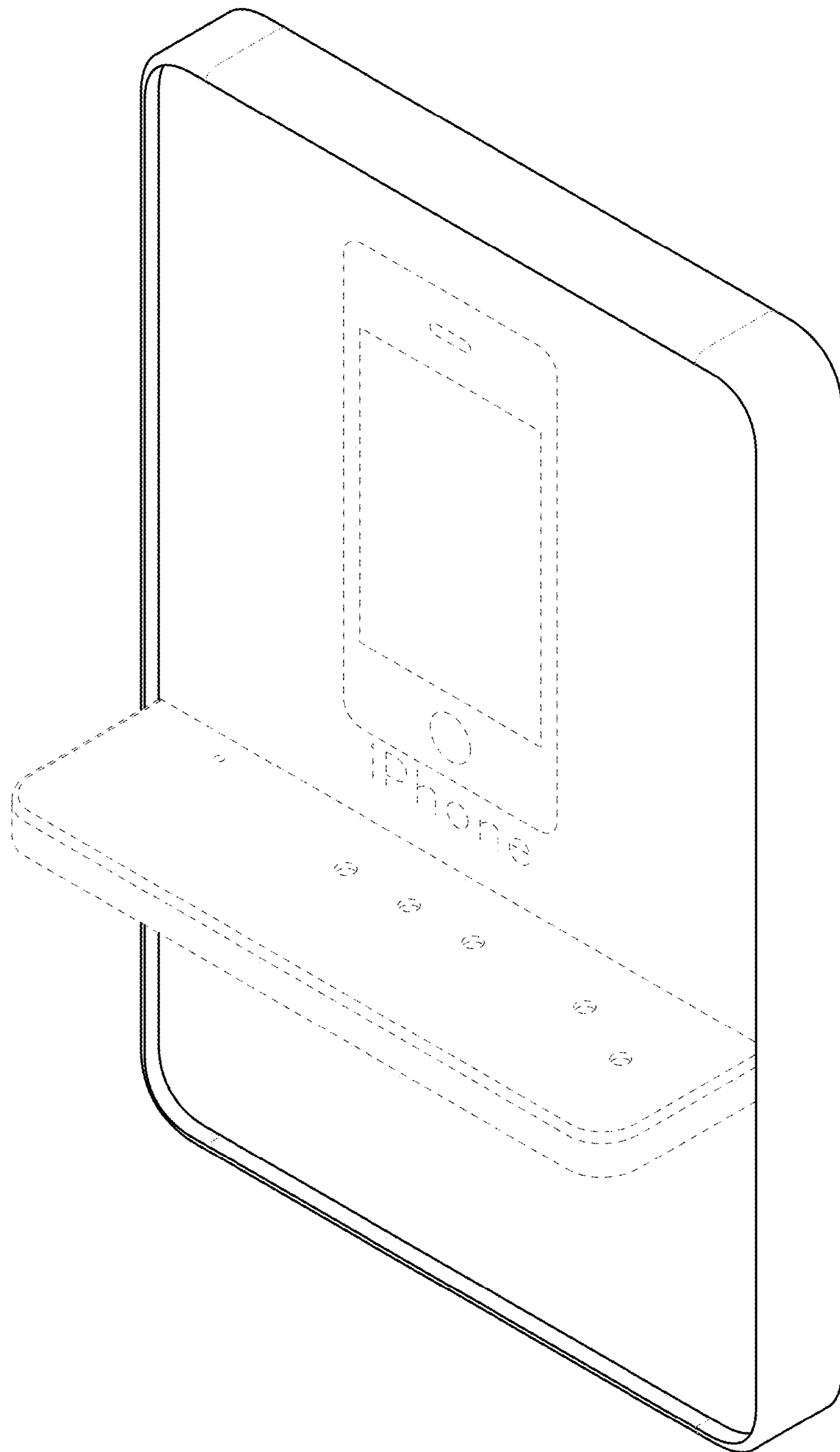
D682,581 S 5/2013 Kikkert et al.  
 D683,982 S 6/2013 Kikkert et al.  
 D684,792 S 6/2013 Kikkert et al.  
 D685,205 S 7/2013 Kikkert et al.  
 D688,494 S 8/2013 Hamm et al.  
 D691,838 S 10/2013 Hinkle  
 D693,156 S 11/2013 Hamm et al.  
 8,602,227 B1 12/2013 McDonald  
 D700,901 S 3/2014 Giglio et al.  
 D708,459 S 7/2014 Heirakuji et al.  
 D709,952 S 7/2014 Logan et al.  
 D713,658 S 9/2014 Tio et al.  
 D717,085 S 11/2014 Trinh et al.  
 D717,573 S 11/2014 Fishman et al.  
 D722,313 S 2/2015 Birgeoglu  
 D722,794 S 2/2015 Luong  
 D723,025 S 2/2015 Birgeoglu  
 D723,026 S 2/2015 Birgeoglu  
 D725,108 S 3/2015 Yeon  
 D725,638 S \* 3/2015 Hofman ..... D14/239  
 D725,947 S 4/2015 Tio et al.  
 D727,995 S 4/2015 Vilcovsky  
 D728,281 S 5/2015 Heirakuji et al.  
 D728,283 S 5/2015 Weshler et al.  
 D730,852 S 6/2015 Park et al.  
 D734,965 S 7/2015 Tio et al.  
 D737,604 S 9/2015 Bridger et al.  
 D741,091 S 10/2015 Tio et al.  
 D742,455 S 11/2015 Denby et al.  
 D742,870 S 11/2015 Berini  
 D750,970 S 3/2016 Moreno  
 D753,754 S 4/2016 Vilcovsky et al.  
 D756,137 S 5/2016 Abelmann et al.  
 D758,105 S 6/2016 Taraczky  
 D758,106 S 6/2016 Hamm et al.  
 D763,605 S 8/2016 Bridger et al.

D764,265 S \* 8/2016 Monsees ..... D8/380  
 D767,922 S 10/2016 Jussila  
 D769,651 S 10/2016 Tio et al.  
 D770,203 S 11/2016 Thaler et al.  
 D778,087 S 2/2017 Mandon et al.  
 D779,240 S 2/2017 Tio et al.  
 D779,859 S 2/2017 Richardson et al.  
 D785,975 S 5/2017 Thaler et al.  
 D785,978 S 5/2017 Brown et al.  
 D790,260 S 6/2017 Tio et al.  
 D795,751 S 8/2017 Roth et al.  
 D796,234 S 9/2017 Thaler et al.  
 D806,447 S 1/2018 Burton et al.  
 D806,448 S 1/2018 Burton et al.  
 D807,086 S 1/2018 Tio et al.  
 D813,832 S 3/2018 Kim et al.  
 D815,864 S 4/2018 Burton et al.  
 D820,619 S 6/2018 Brugger et al.  
 D821,116 S 6/2018 Hamm et al.  
 D821,117 S 6/2018 Gorman et al.  
 D824,702 S 8/2018 Tio et al.  
 D824,894 S 8/2018 Marasco et al.  
 D842,628 S 3/2019 Siminoff et al.  
 D852,274 S 6/2019 Lim et al.  
 D867,035 S 11/2019 Brugger et al.  
 D867,036 S 11/2019 Brugger et al.  
 D877,548 S 3/2020 Brugger et al.  
 2005/0279033 A1 12/2005 Faber et al.  
 2007/0170823 A1 7/2007 Stannis et al.  
 2014/0306584 A1 10/2014 DeMars  
 2016/0217718 A1 7/2016 Silver  
 2017/0127832 A1 5/2017 Klacking  
 2018/0092470 A1 4/2018 Johnson

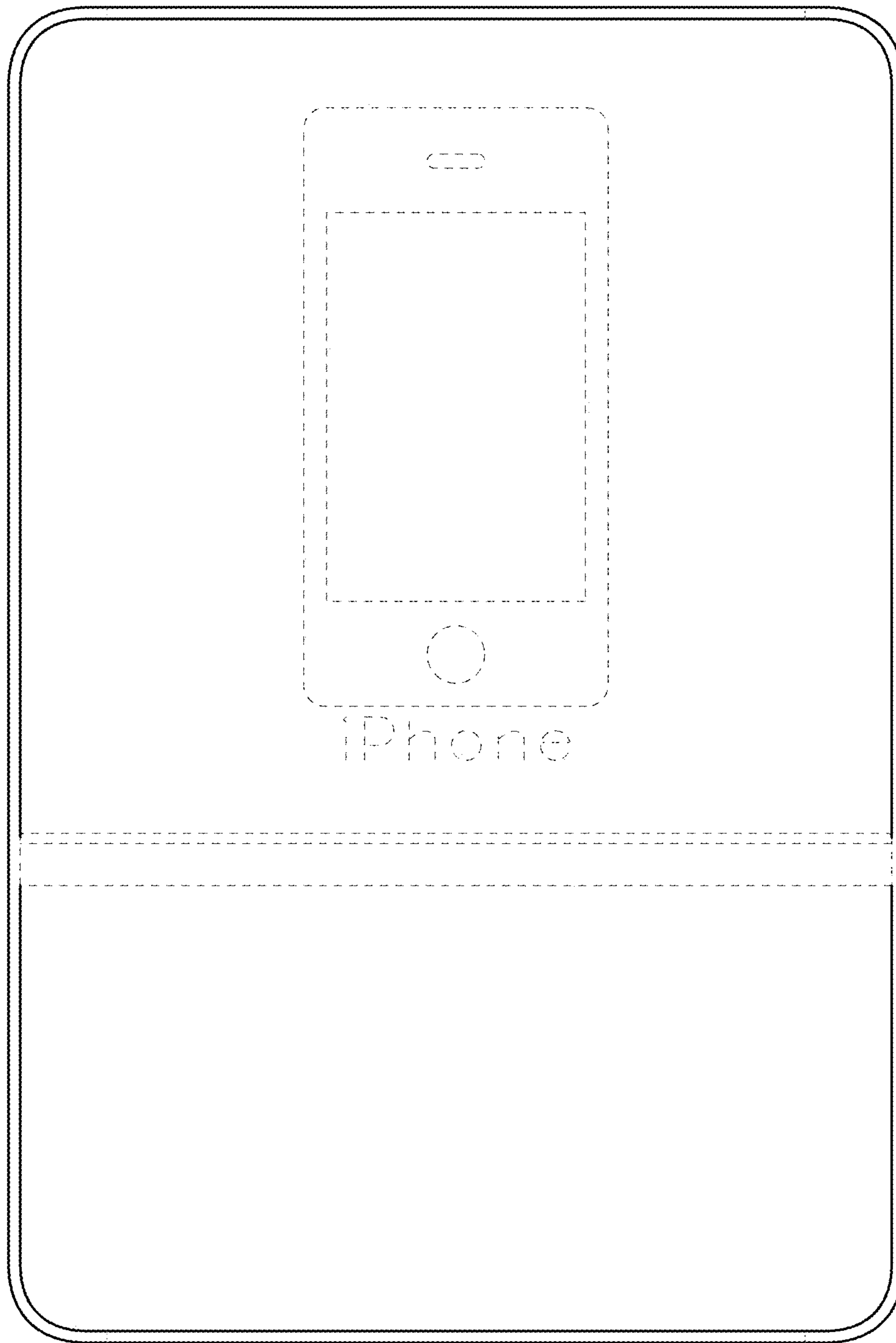
FOREIGN PATENT DOCUMENTS

KR 30-0634368 3/2012  
 WO WO 082406 10/2013

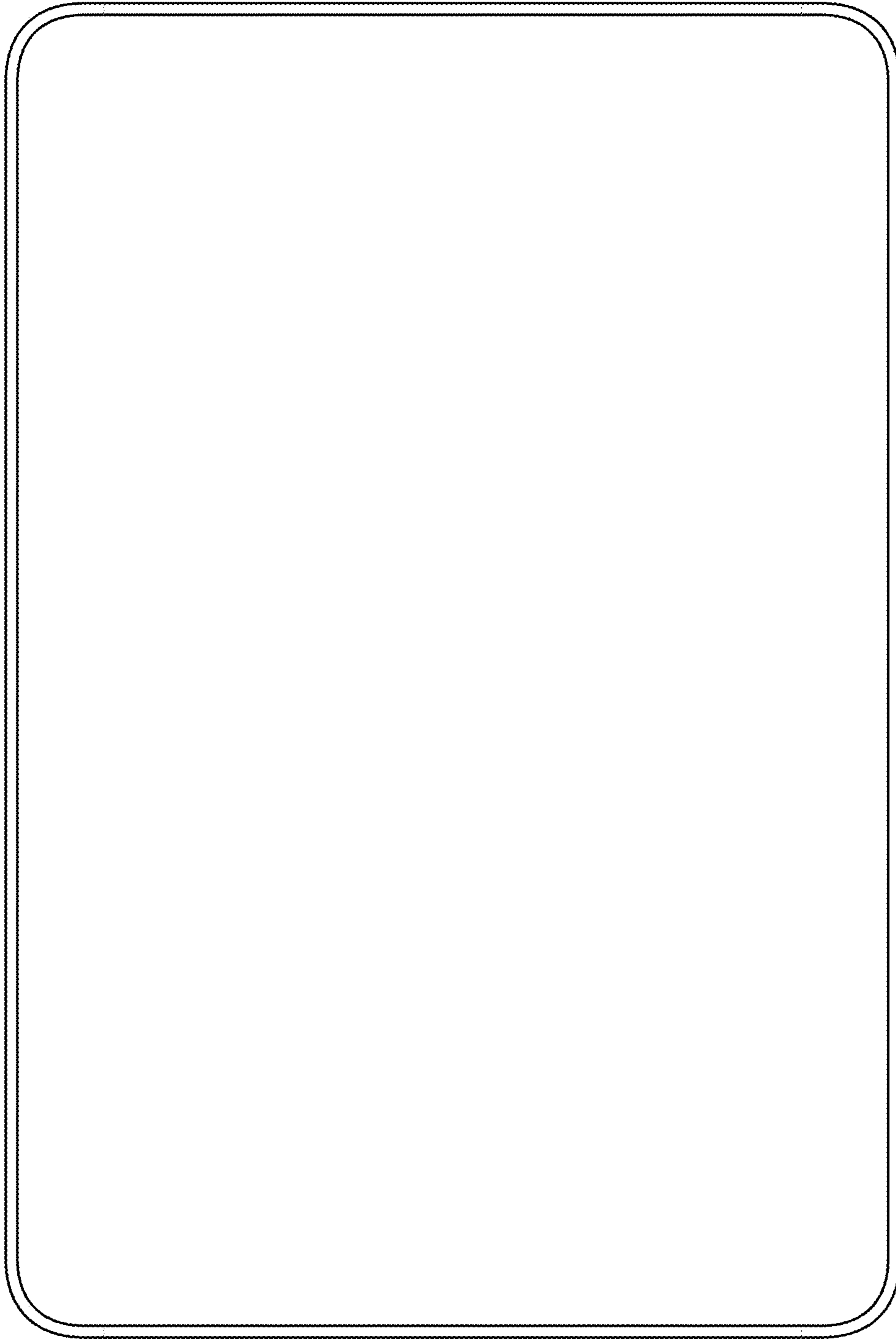
\* cited by examiner



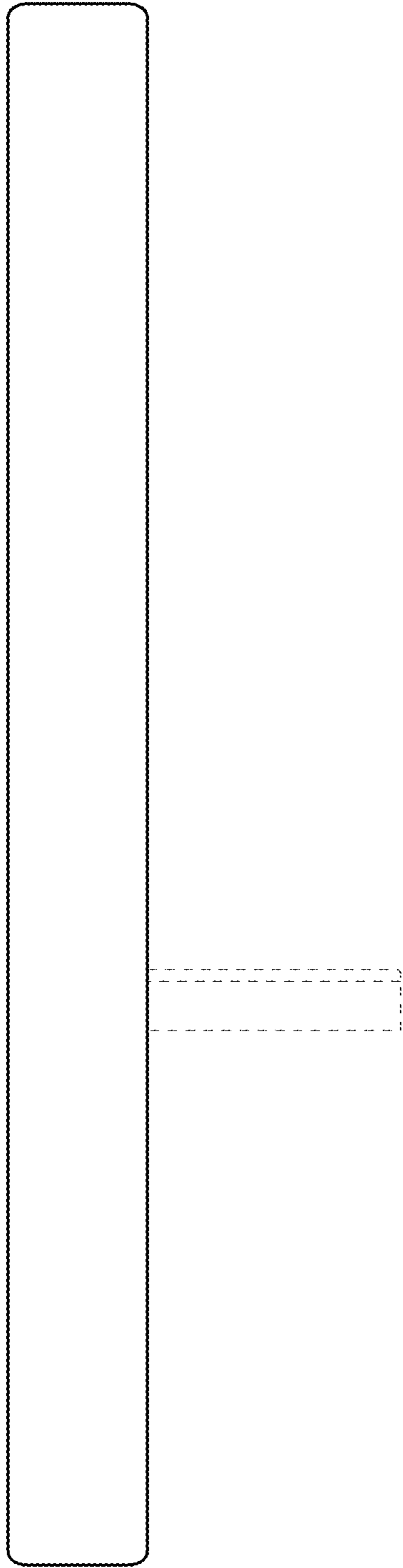
**FIG. 1**



**FIG. 2**



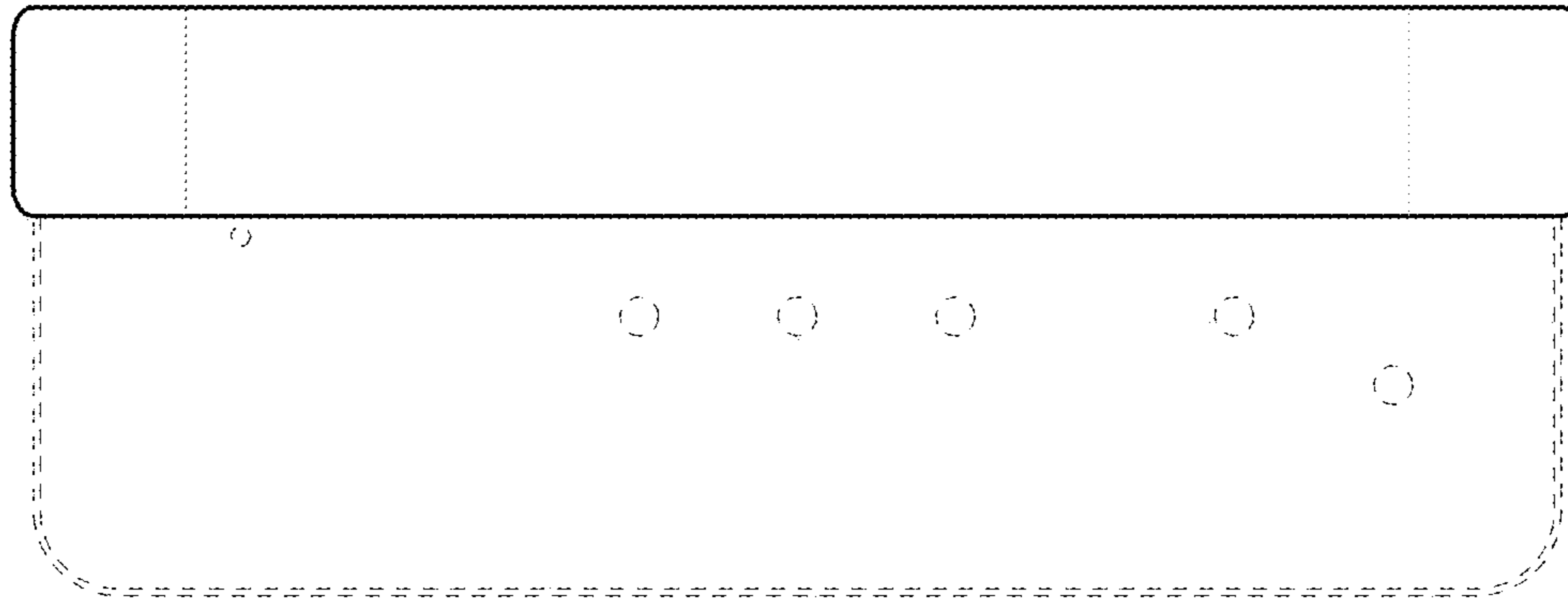
**FIG. 3**



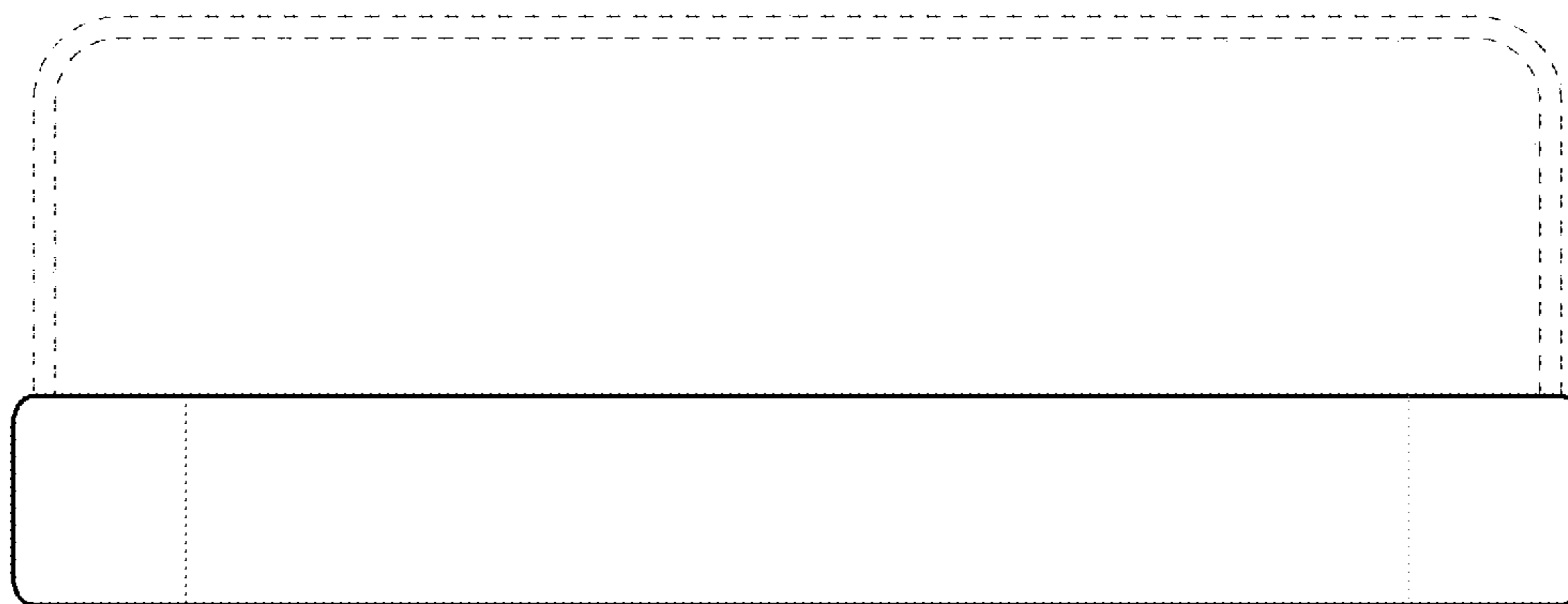
**FIG. 4**



**FIG. 5**



**FIG. 6**



**FIG. 7**



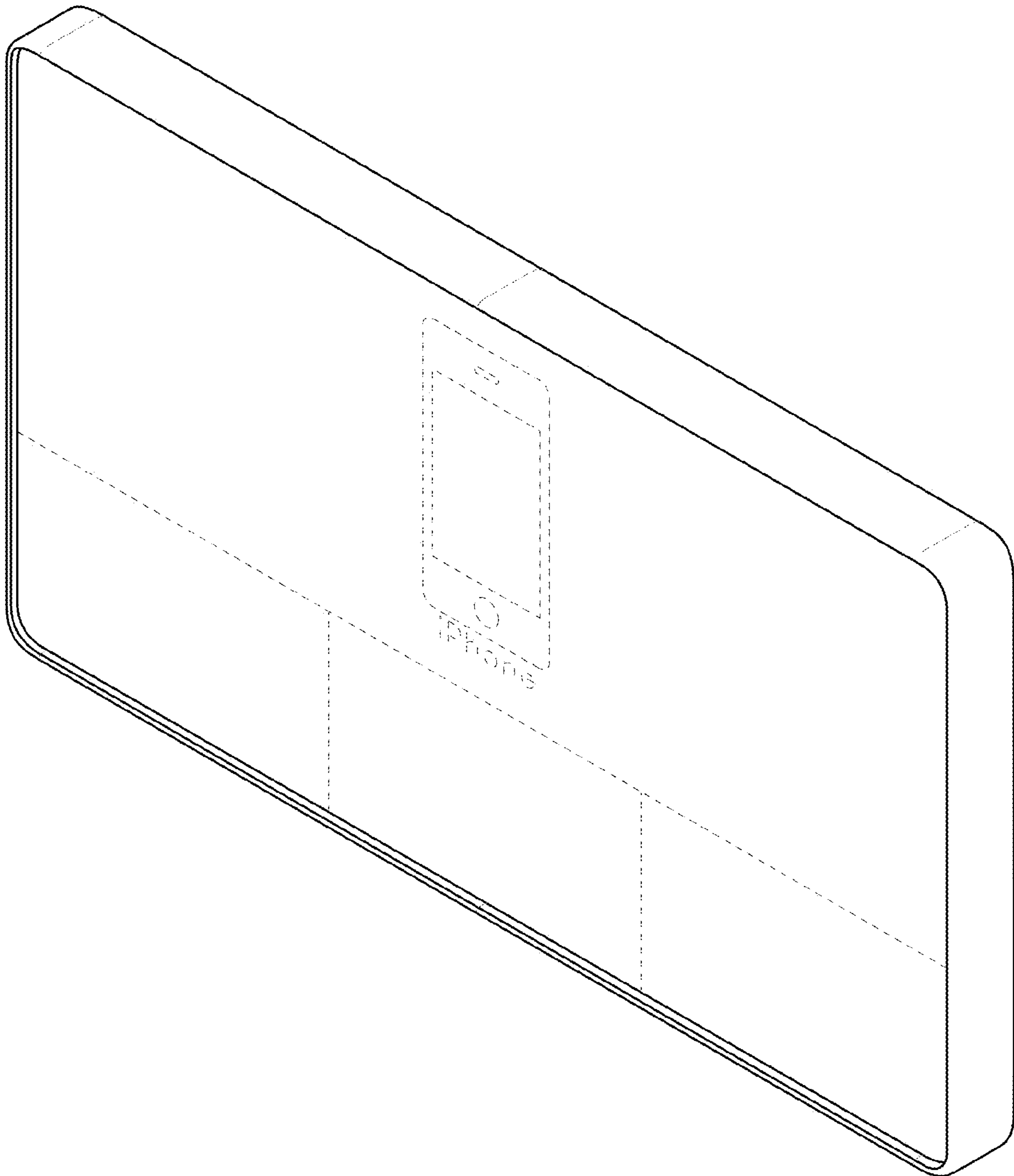
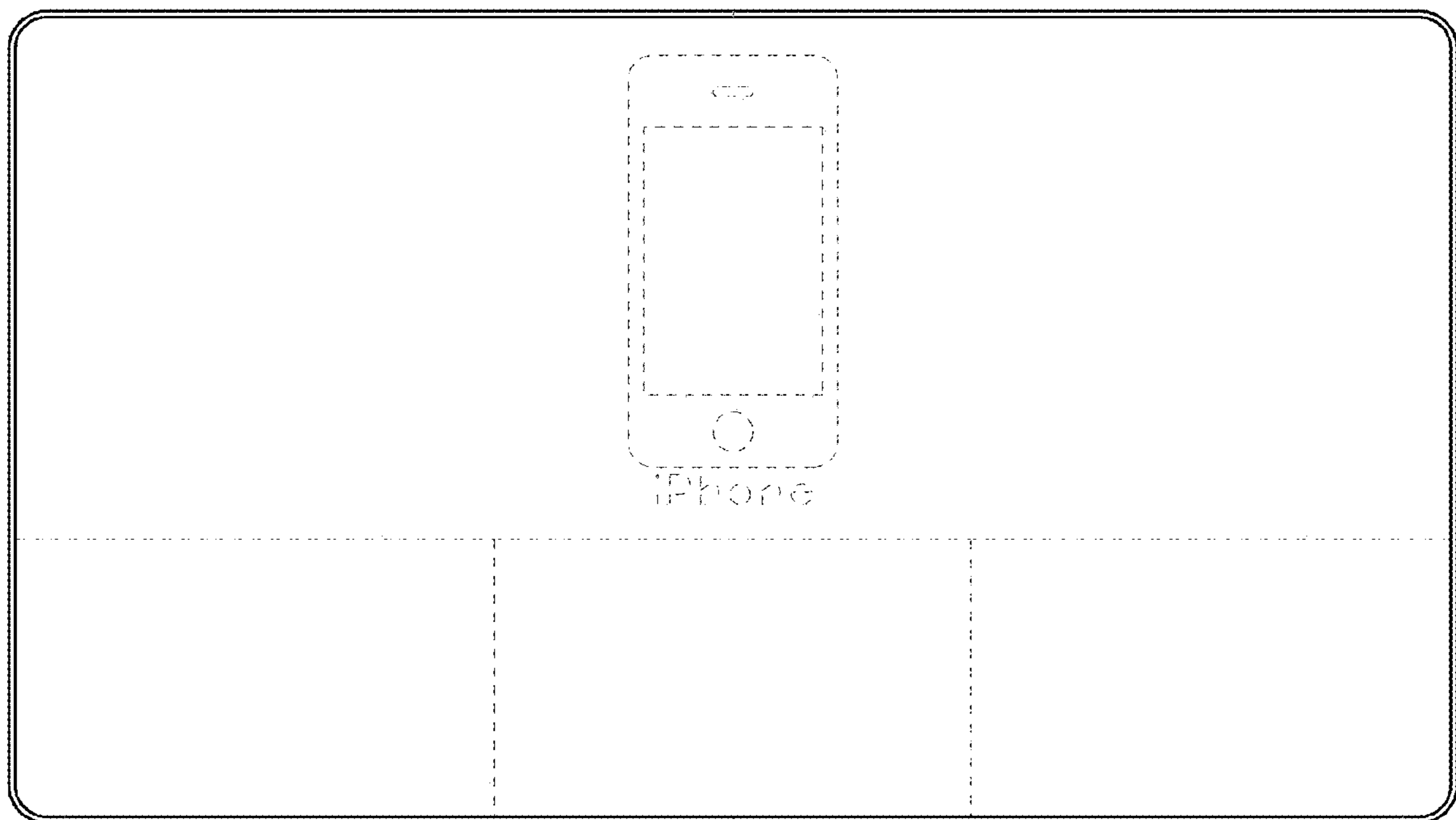
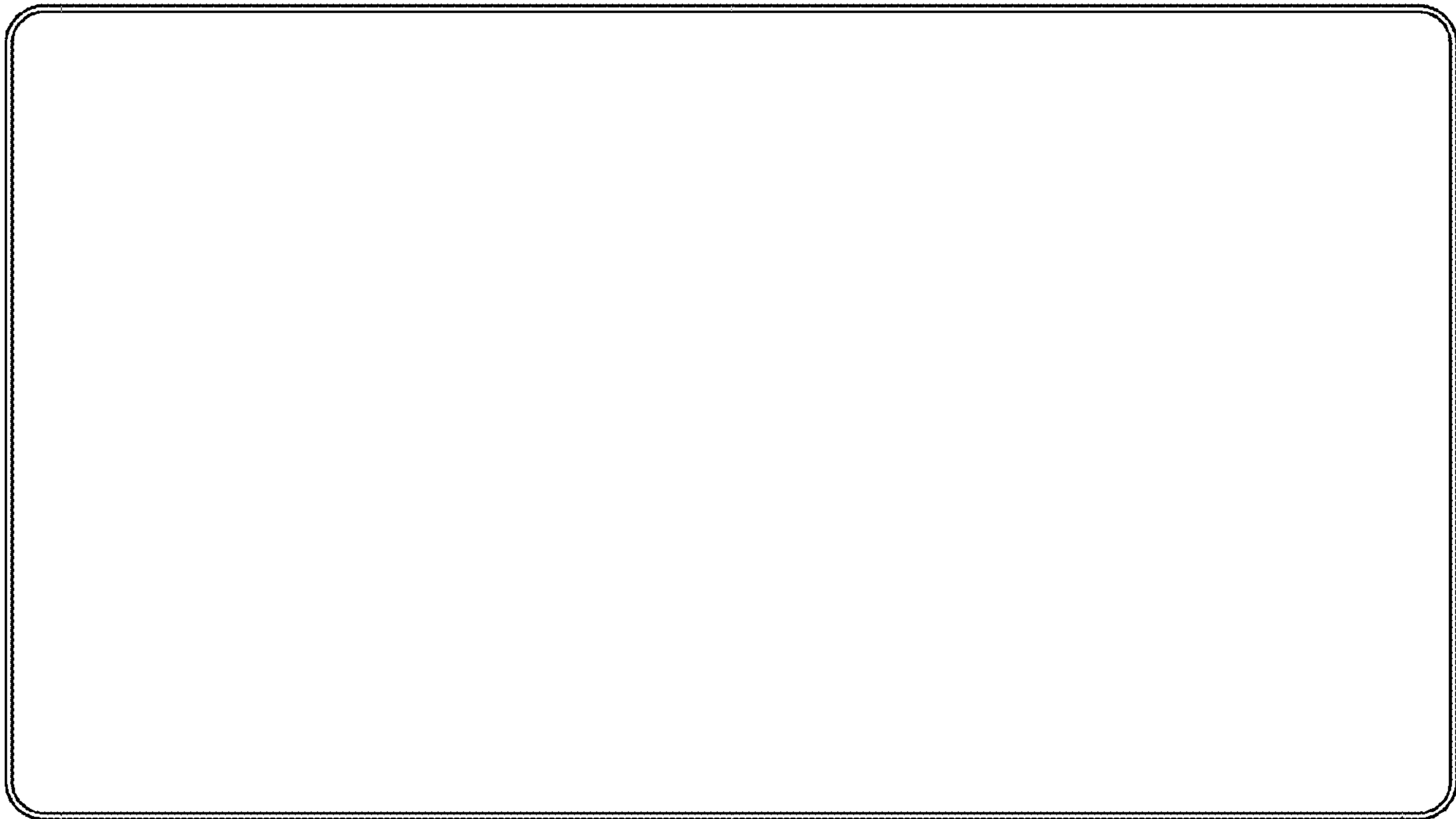


FIG. 8



**FIG. 9**



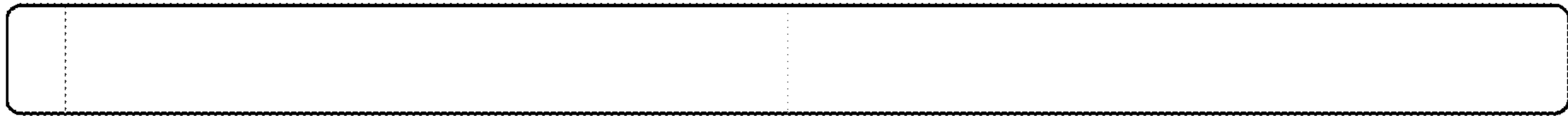
**FIG. 10**



**FIG. 11**



**FIG. 12**



**FIG. 13**



**FIG. 14**