



US00D893919S

(12) **United States Design Patent** (10) **Patent No.:** **US D893,919 S**  
**Hu** (45) **Date of Patent:** **\*\* Aug. 25, 2020**

(54) **GAMING DESK WITH Z SHAPED LEGS**

(71) Applicant: **Yajun Hu**, El Dorado Hills, CA (US)

(72) Inventor: **Yajun Hu**, El Dorado Hills, CA (US)

(73) Assignees: **Yajun Hu**, El Dorado Hills, CA (US);  
**EUREKA LLC.**, El Dorado Hills, CA (US)

(\*\*) Term: **15 Years**

(21) Appl. No.: **29/692,287**

(22) Filed: **May 23, 2019**

(51) **LOC (12) Cl.** ..... **06-03**

(52) **U.S. Cl.**

USPC ..... **D6/656.11**; D6/656.16

(58) **Field of Classification Search**

USPC ..... D6/640, 641, 642, 643, 643.1, 644, 645,  
D6/648, 648.1, 648.3, 648.4, 649, 650,  
D6/651, 652, 654, 654.1, 655, 655.1,  
D6/655.11, 655.12, 655.13, 655.14,  
D6/655.15, 655.16, 656, 656.1, 656.11,  
D6/656.16, 656.17, 656.18, 656.19, 668,  
D6/685, 688.11, 688.21, 688.27, 690,  
D6/695, 698, 691, 691.6, 696.1, 700, 707,  
D6/707.19, 707.24, 707.26, 708, 708.2,  
D6/708.21, 708.23, 709.22

CPC .... A47B 9/00; A47B 9/04; A47B 9/06; A47B  
3/08; A47B 21/00; A47B 21/02; A47B  
21/06; A47B 21/07; A47B 21/0314; A47B  
2009/185; A47B 2200/0013; A47B  
2200/0026; A47B 2200/0085; A47B  
2200/0087

See application file for complete search history.

(56) **References Cited**

U.S. PATENT DOCUMENTS

D325,833 S \* 5/1992 Saotome ..... D6/656.16  
D449,470 S \* 10/2001 Morrow ..... D6/656.18

D478,225 S 8/2003 Wang  
D499,273 S 12/2004 Chang  
D499,576 S 12/2004 Long  
D526,812 S 8/2006 Chen  
D547,970 S 8/2007 Chou  
D549,009 S 8/2007 Lin  
D552,885 S \* 10/2007 Saotome ..... D6/656  
D671,339 S \* 11/2012 Nakamura ..... D6/691  
9,591,919 B2 3/2017 Ergun et al.  
9,635,932 B2 5/2017 Kelley et al.  
D814,214 S 4/2018 Flaherty  
D819,371 S \* 6/2018 Cao ..... D6/656.16  
D843,137 S 3/2019 Hu  
D861,381 S \* 10/2019 Hu ..... D6/656.11  
D861,383 S \* 10/2019 Hu ..... D6/656.17

(Continued)

**OTHER PUBLICATIONS**

Eureka Ergonomic Z1S-Pro Gaming Desk, posted at amazon.com, posted on Aug. 12, 2019, site visited May 14, 2020. online, available from internet: <https://www.amazon.com/ERGONOMIC-Z1S-PRO-Computer-Headphone-Boyfriend/dp/B07SJSJDV> (Year: 2019).\*

*Primary Examiner* — Mary Ann Calabrese

*Assistant Examiner* — Catherine Ho

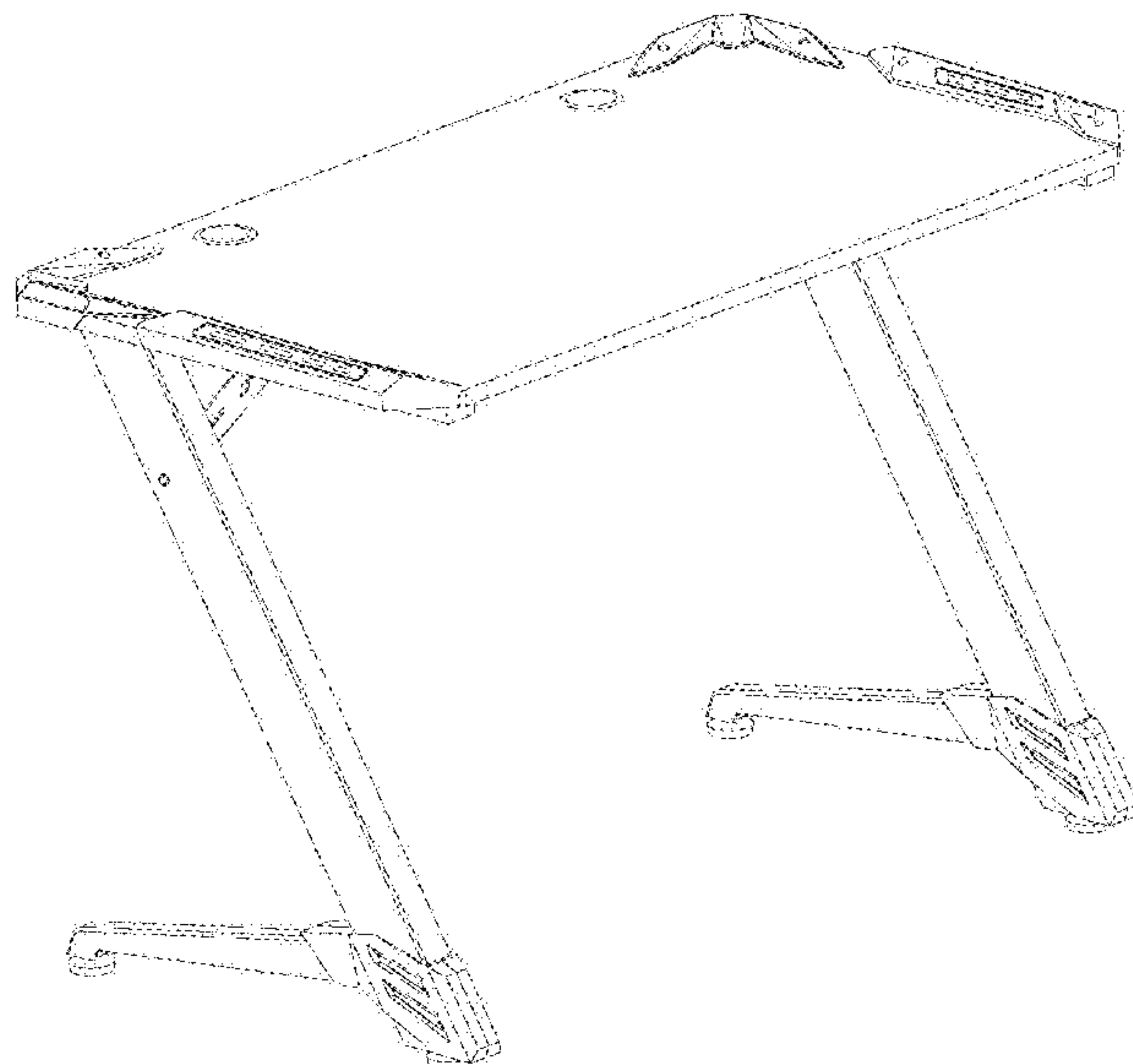
(57) **CLAIM**

I claim the ornamental design for a gaming desk with Z shaped legs, as shown and described.

**DESCRIPTION**

FIG. 1 is a perspective view of a gaming desk with Z shaped legs, showing my new design;  
FIG. 2 is a front view thereof;  
FIG. 3 is a bottom view thereof;  
FIG. 4 is a top view thereof;  
FIG. 5 is a rear side view thereof;  
FIG. 6 is a left side view thereof; and,  
FIG. 7 is a right side view thereof.

**1 Claim, 7 Drawing Sheets**



(56)

**References Cited**

U.S. PATENT DOCUMENTS

D862,128 S *	10/2019	Hu	.....	D6/656.11
D865,405 S *	11/2019	Hu	.....	D6/656.16
D875,441 S *	2/2020	Duan	.....	D6/655.18
D878,815 S *	3/2020	Peng	.....	D6/656
D882,988 S *	5/2020	Hu	.....	D6/656.17
2018/0206630 A1 *	7/2018	Chang	.....	A47B 9/00

\* cited by examiner

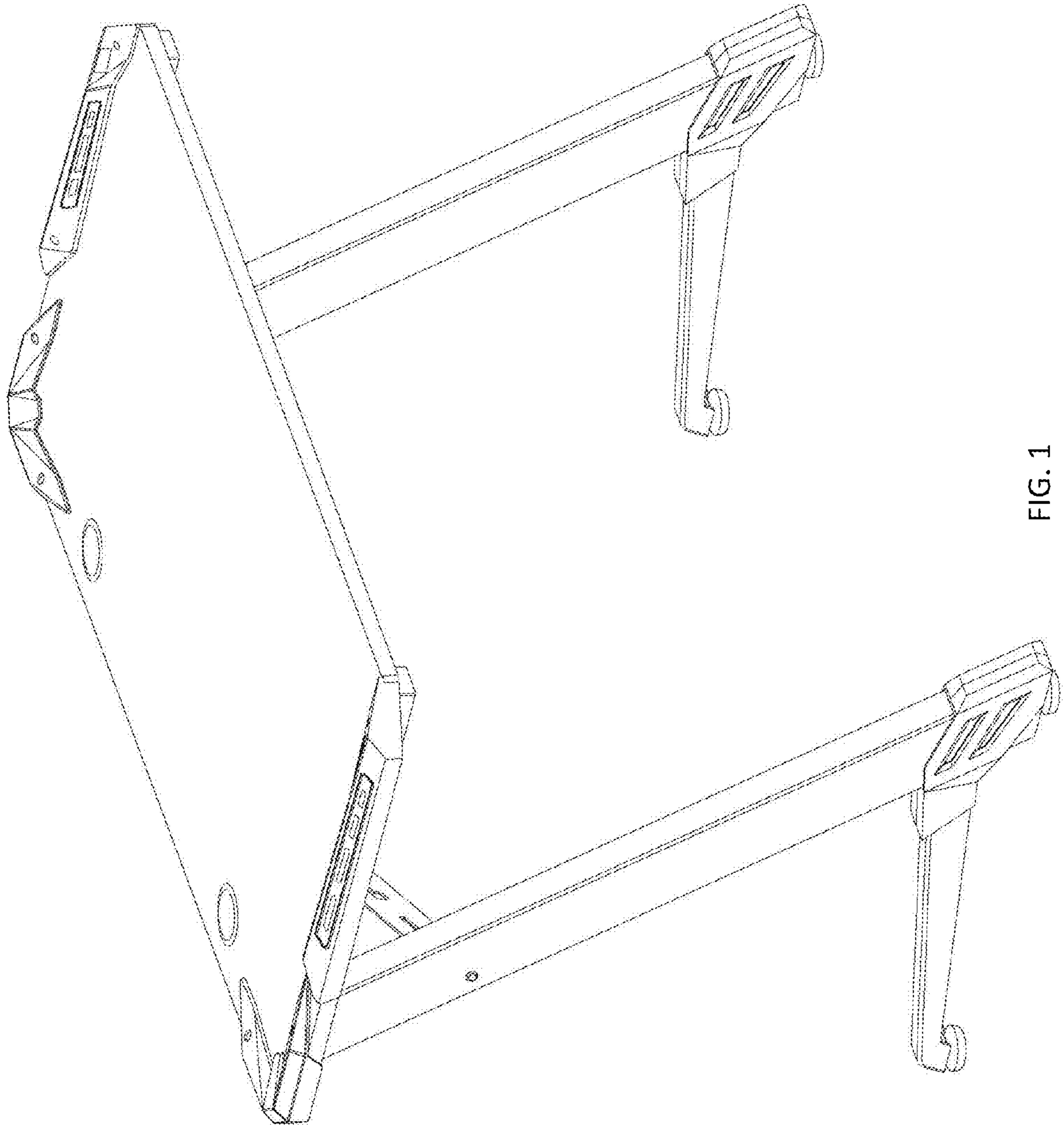


FIG. 1

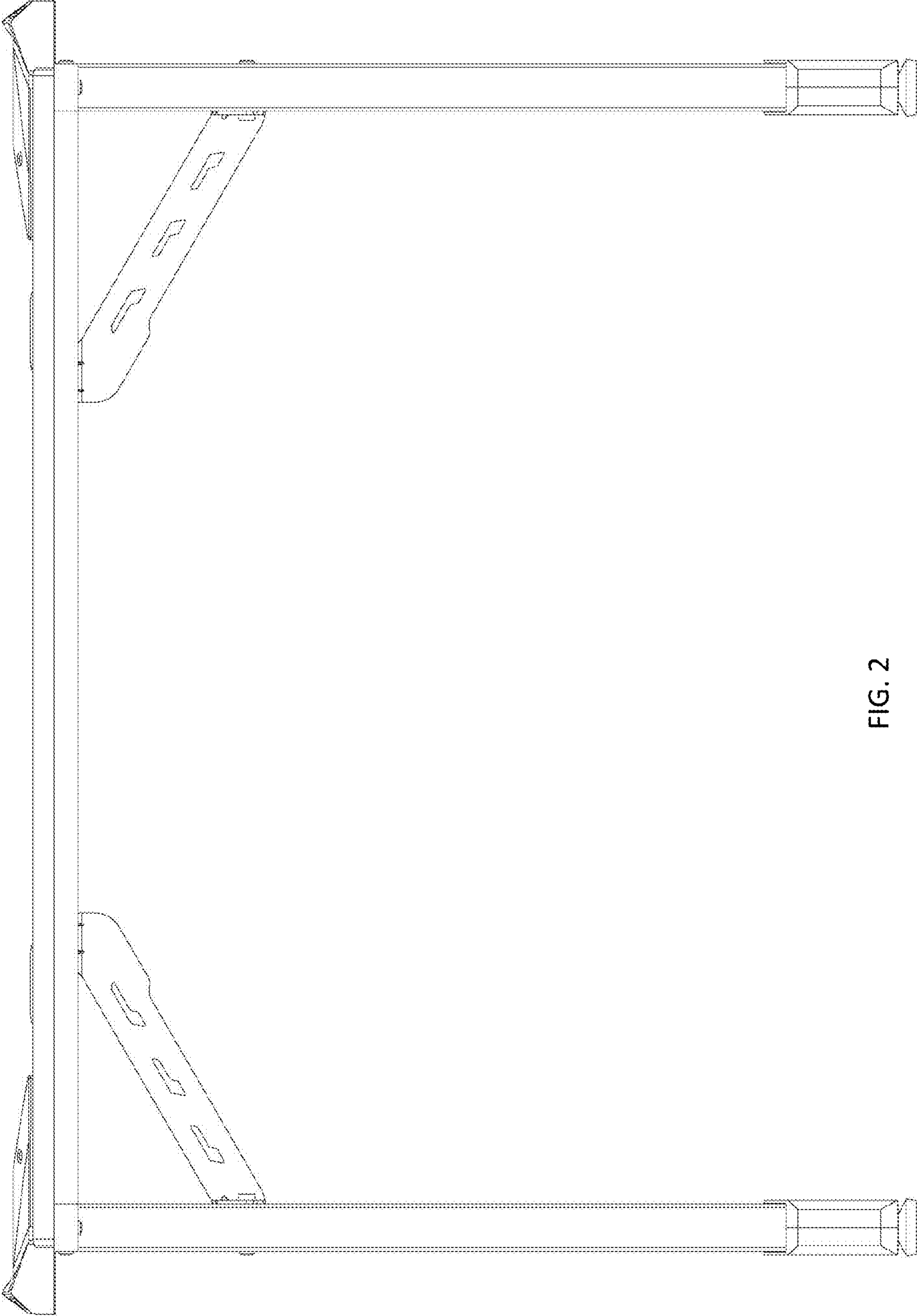


FIG. 2

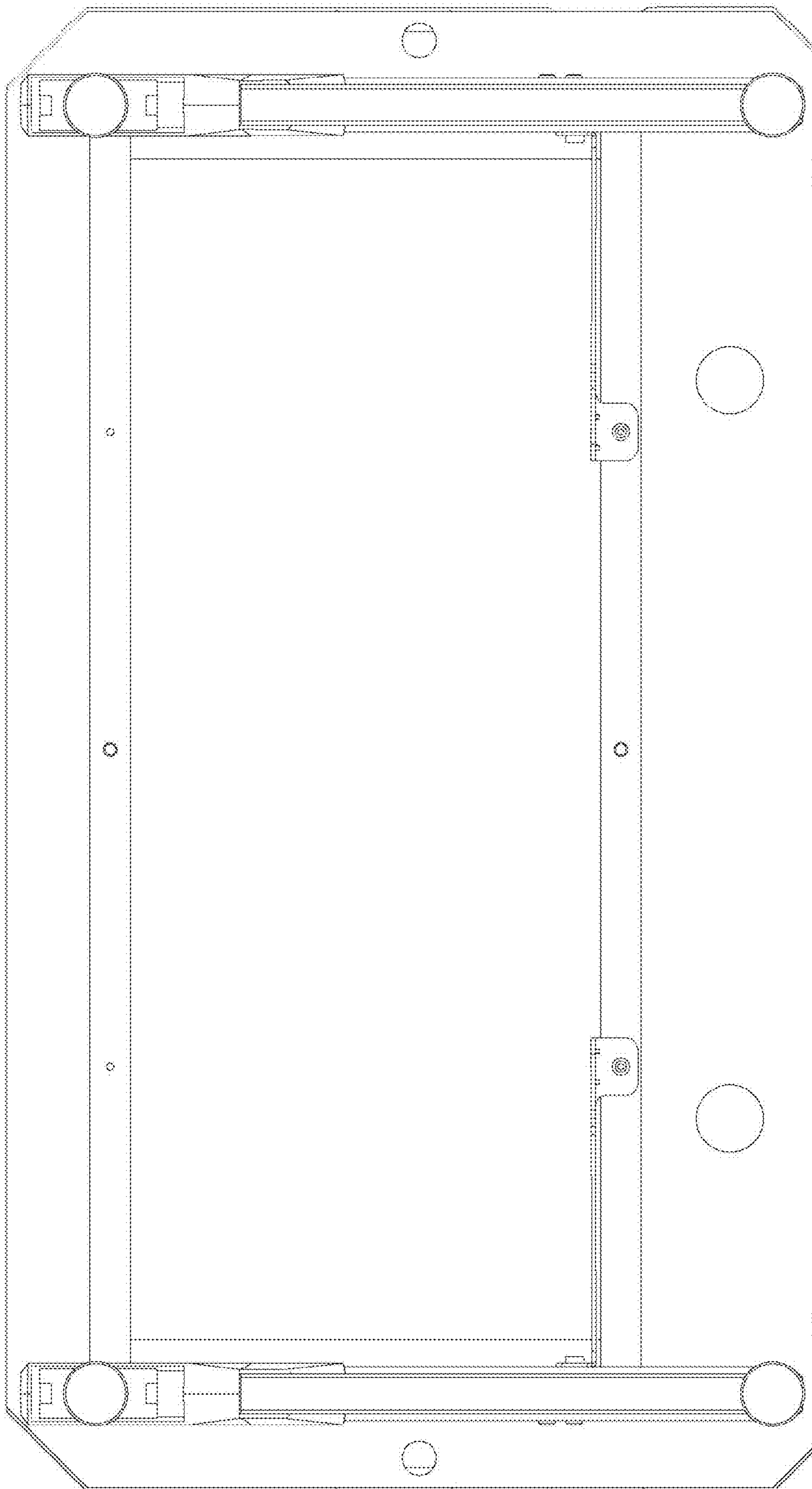


FIG. 3



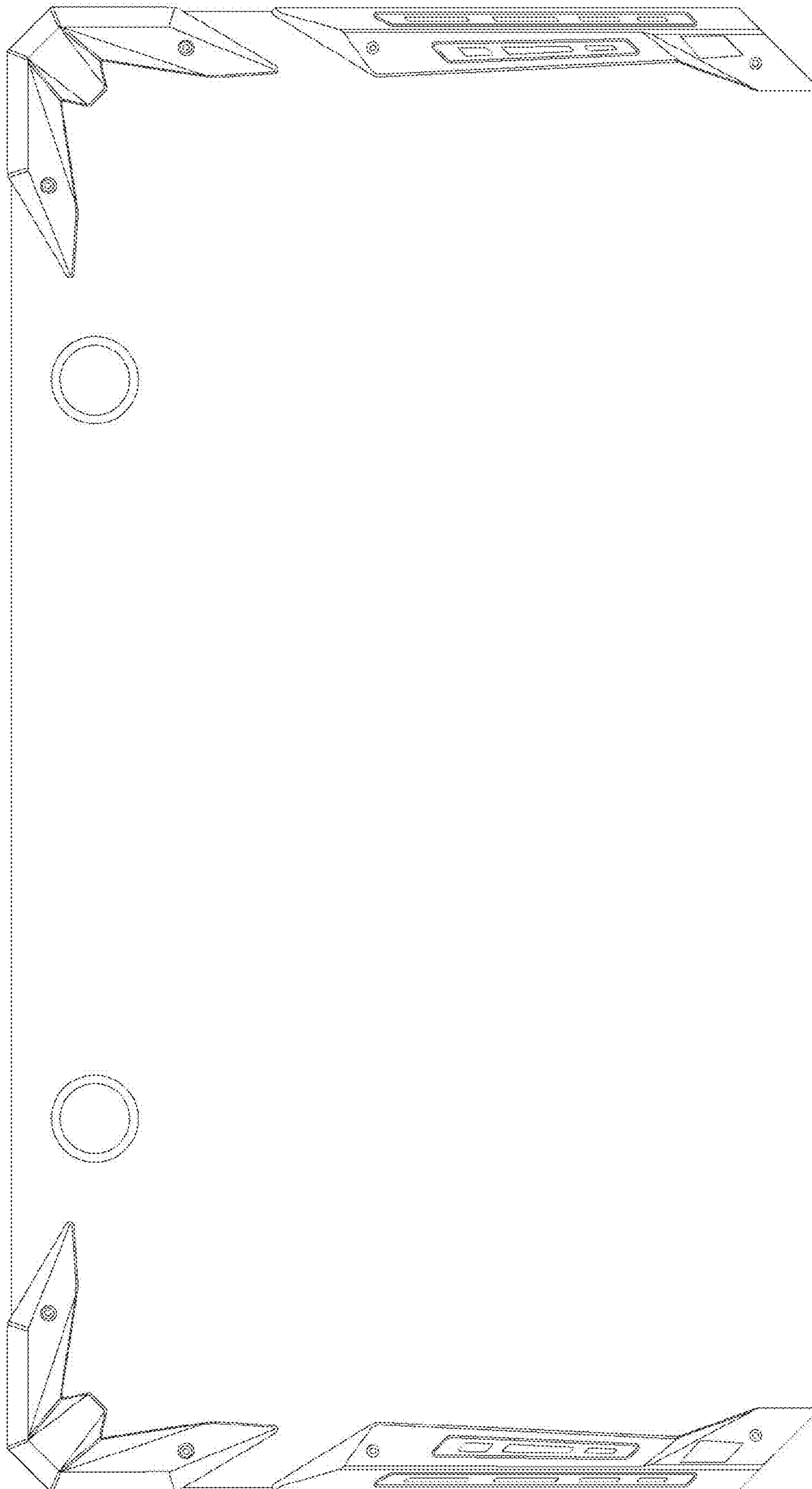


FIG. 4

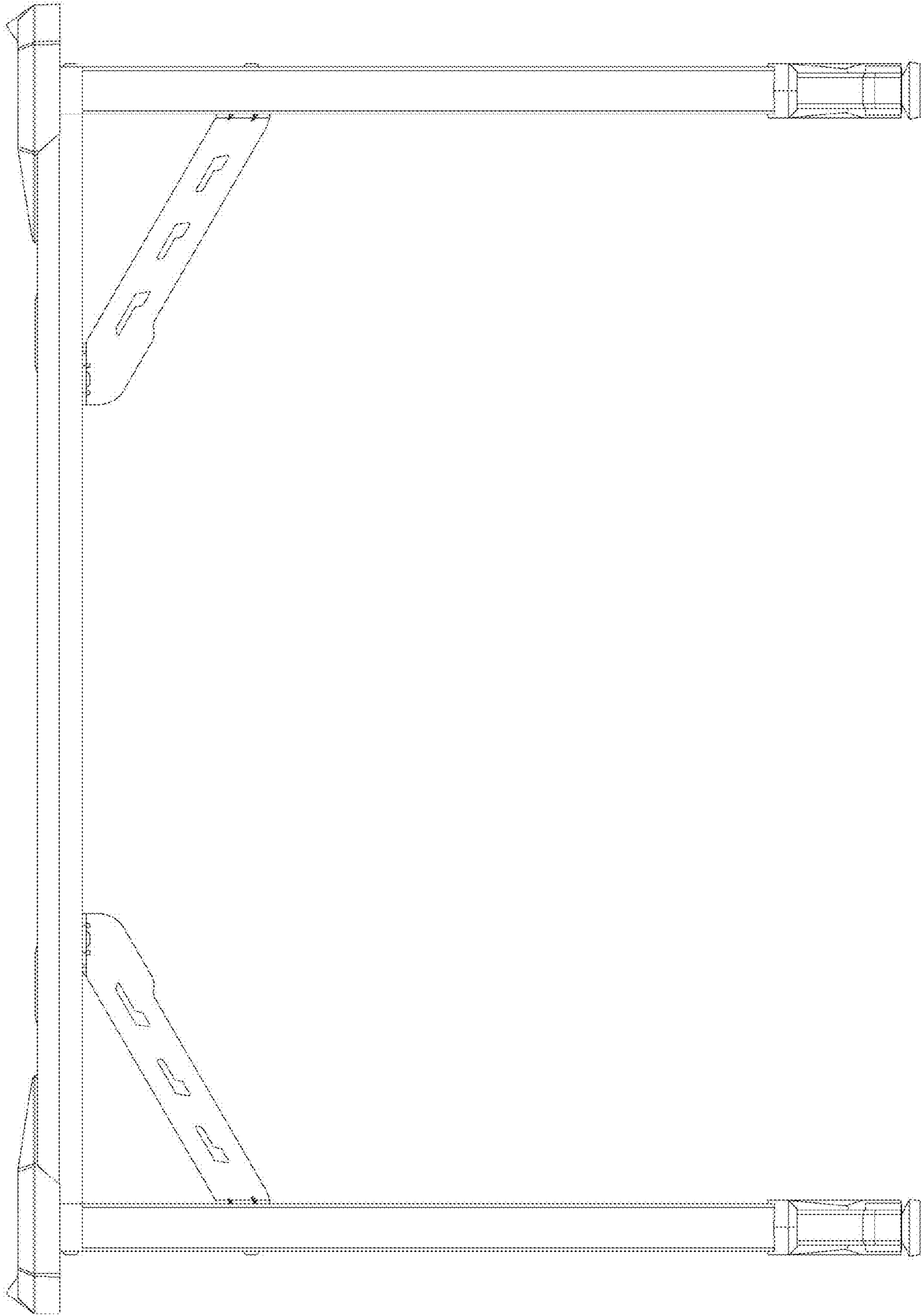


FIG. 5

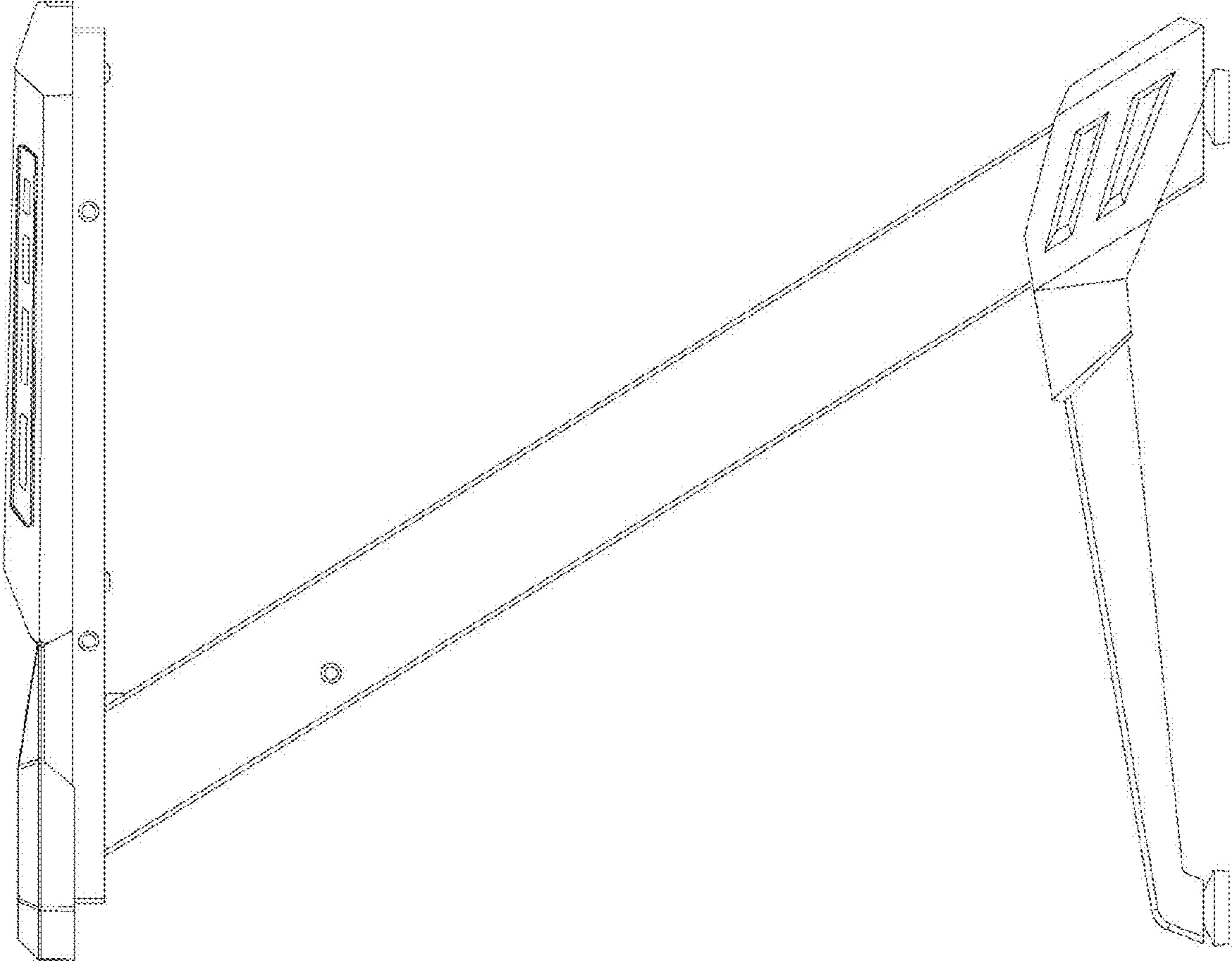


FIG. 6



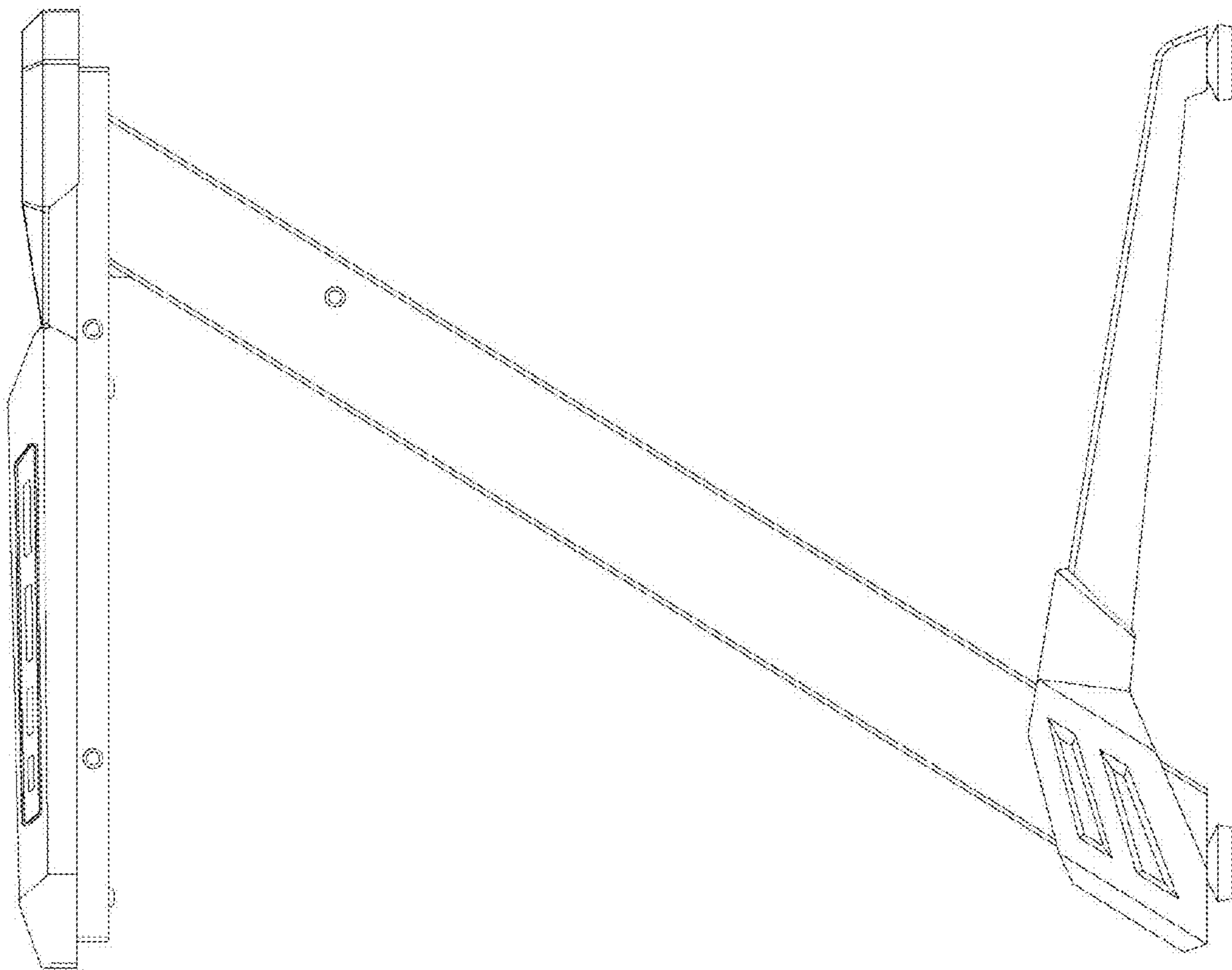


FIG. 7