



US00D893916S

(12) **United States Design Patent**
Ouyang

(10) **Patent No.:** **US D893,916 S**

(45) **Date of Patent:** **** Aug. 25, 2020**

(54) **TOWEL HOLDER**

(71) Applicant: **NINGBO EDEANS HEATING SYSTEMS MANUFACTURING CO., LTD.**, Ningbo (CN)

(72) Inventor: **Yahong Ouyang**, Ningbo (CN)

(73) Assignee: **Ningbo Edeans Heating Systems Manufacturing Co., Ltd.**, Ningbo (CN)

(**) Term: **15 Years**

(21) Appl. No.: **29/690,594**

(22) Filed: **May 9, 2019**

(51) **LOC (12) Cl.** **06-04**

(52) **U.S. Cl.**
USPC **D6/546**

(58) **Field of Classification Search**
USPC D6/546–550, 570, 518–524; 248/49, 175, 248/176.1, 200, 201, 205.1, 251, 302, 248/309.1, 315; 242/570, 590, 595–598; D8/300, 370, 315; 108/28–29, 13.1, 16, 108/85.5, 86.01, 87.01, 88.04, 100, 105.1, 108/105.2, 106, 113, 123, 181.1, 182–183
CPC A47K 10/22; A47K 10/3836; A47K 10/38
See application file for complete search history.

(56) **References Cited**

U.S. PATENT DOCUMENTS

D364,768 S * 12/1995 Moon D6/549
D373,699 S * 9/1996 Moon D6/574

D379,570 S * 6/1997 Moon D6/574
D409,034 S * 5/1999 Moon D6/574
D550,547 S * 9/2007 Sato D8/381
D612,182 S * 3/2010 Bremmon D6/567
D663,987 S * 7/2012 Fritz D6/574
D665,611 S * 8/2012 Blakley D23/304
D831,381 S * 10/2018 Bolos D6/574
D848,759 S * 5/2019 Kim D6/553
D867,018 S * 11/2019 Bolos D6/574
D877,535 S * 3/2020 Bolos D6/574
D882,302 S * 4/2020 Boettner D6/672

* cited by examiner

Primary Examiner — Nathan M Johnston

(74) *Attorney, Agent, or Firm* — Muncy, Geissler, Olds & Lowe, P.C.

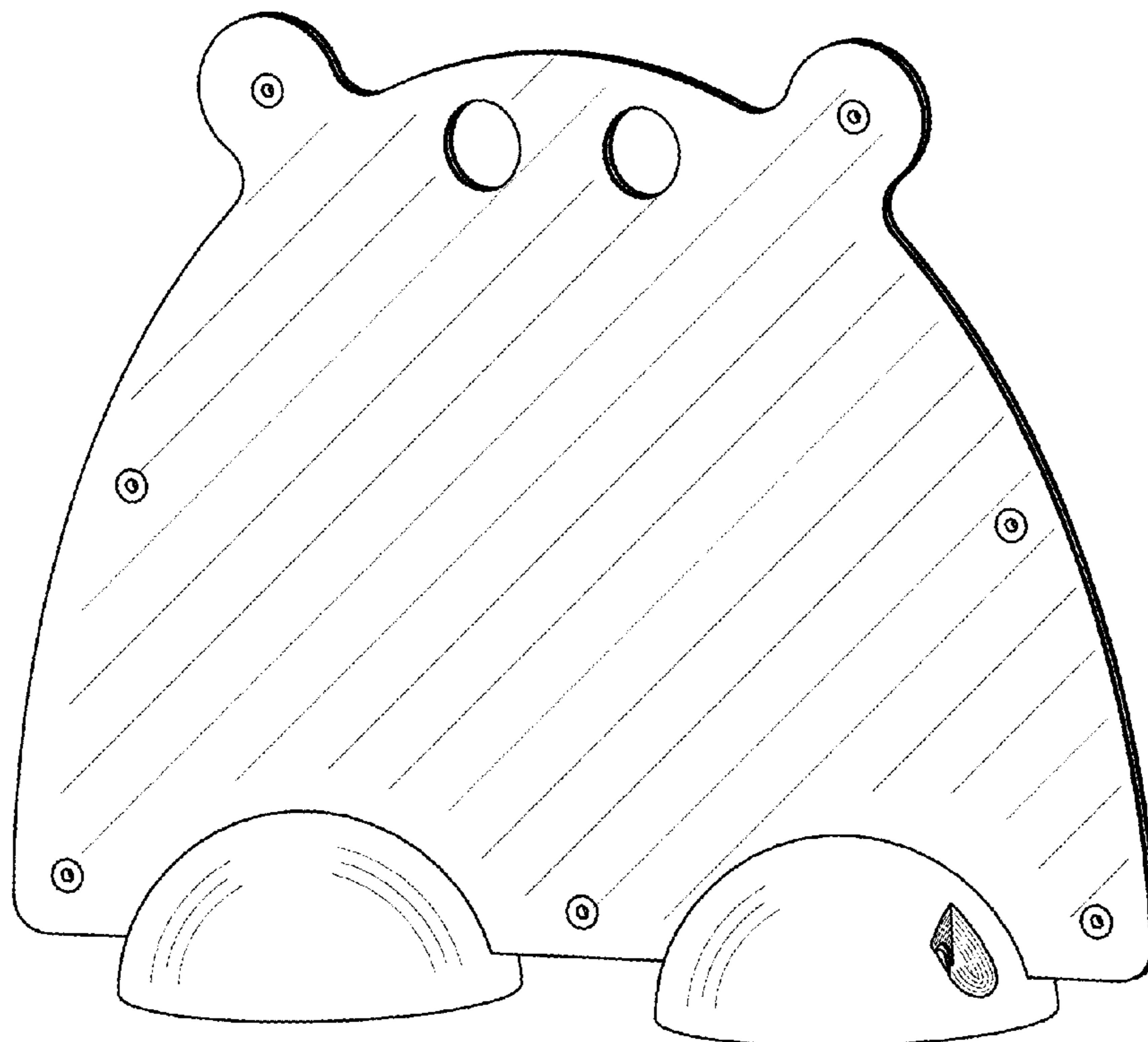
(57) **CLAIM**

The ornamental design for a towel holder, as shown and described.

DESCRIPTION

FIG. 1 is a front elevational view of a towel holder showing my new design;
FIG. 2 is a rear elevational view thereof;
FIG. 3 is a left side view thereof;
FIG. 4 is a right side view thereof;
FIG. 5 is a top plan view thereof;
FIG. 6 is a bottom plan view thereof;
FIG. 7 is a perspective views thereof; and,
FIG. 8 is a perspective views from back side thereof.

1 Claim, 8 Drawing Sheets



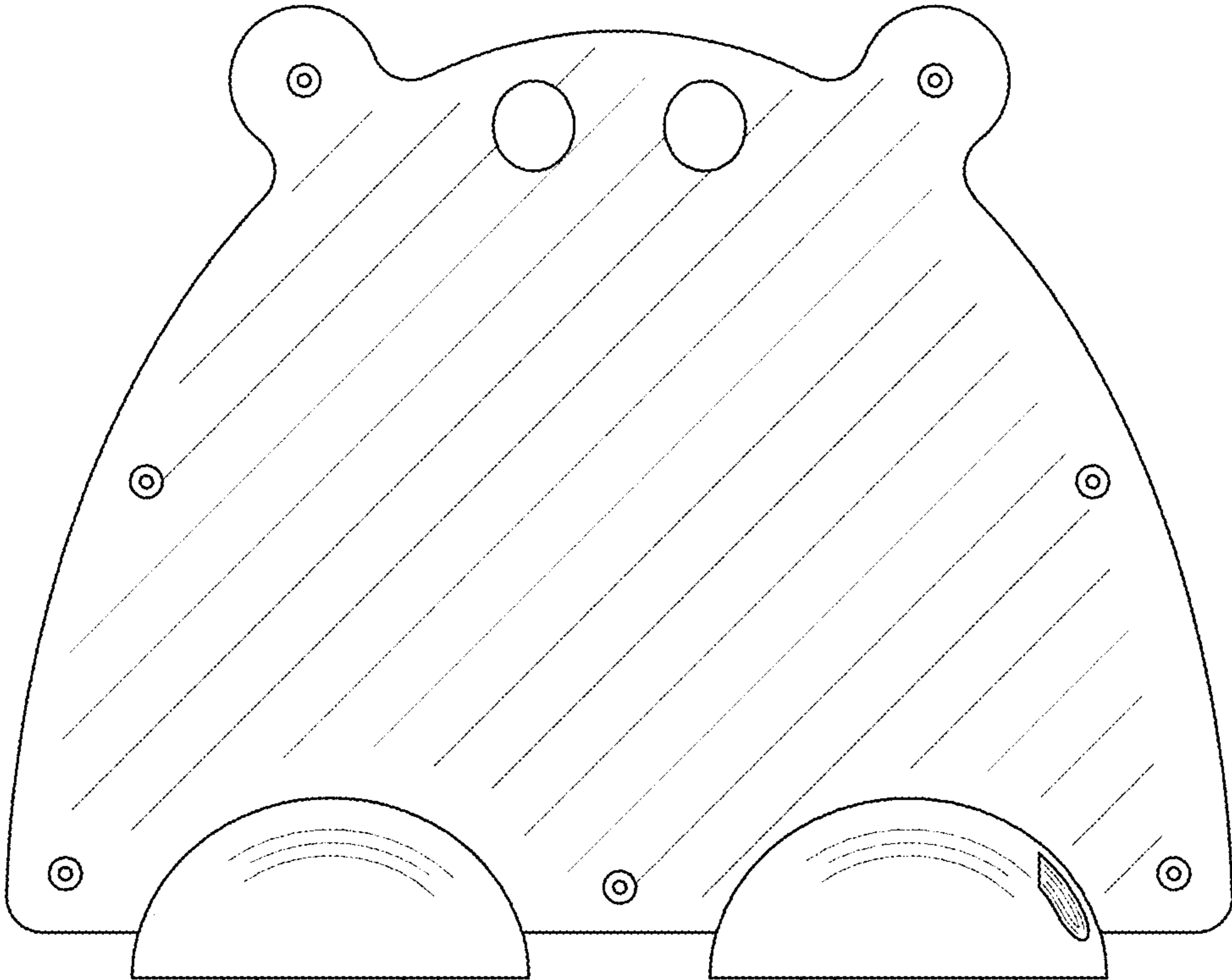


FIG. 1

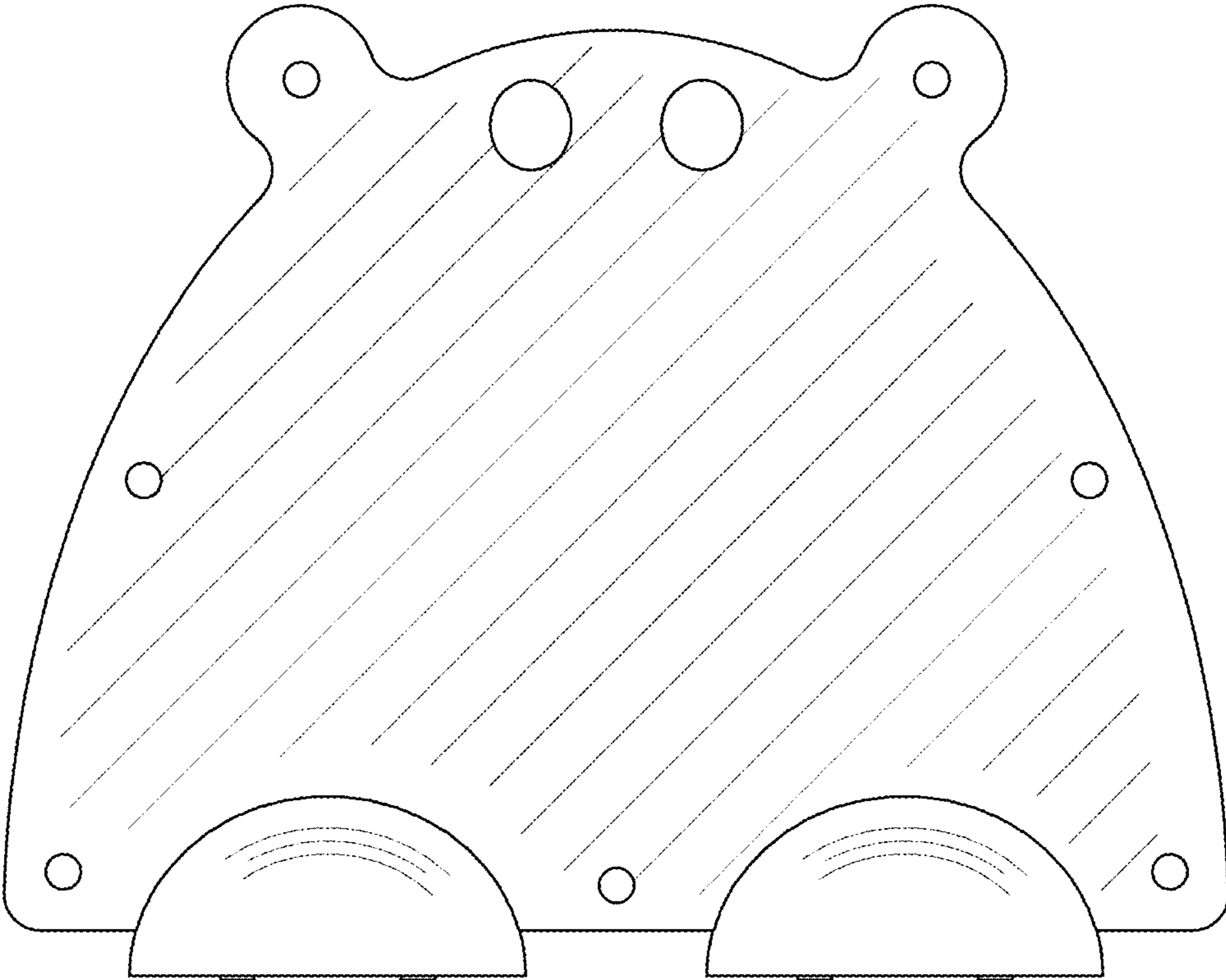


FIG. 2

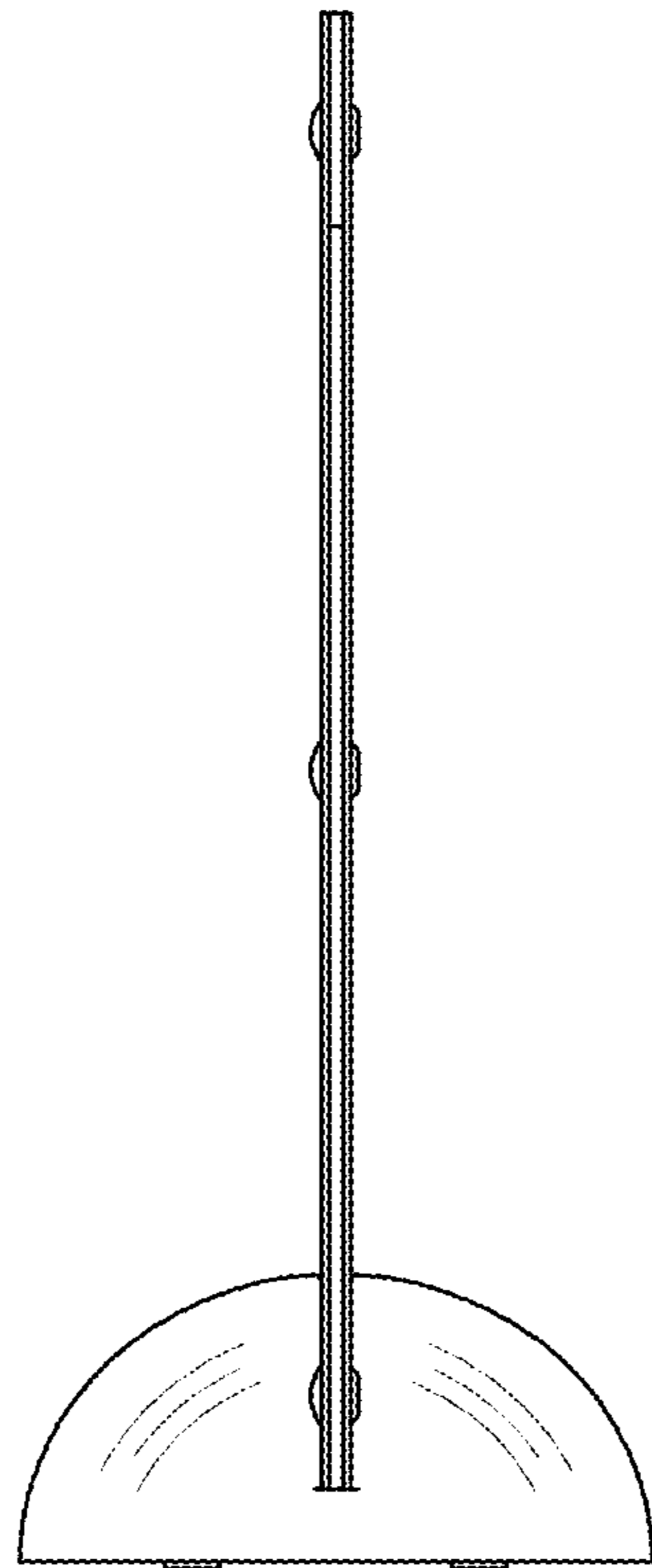


FIG. 3

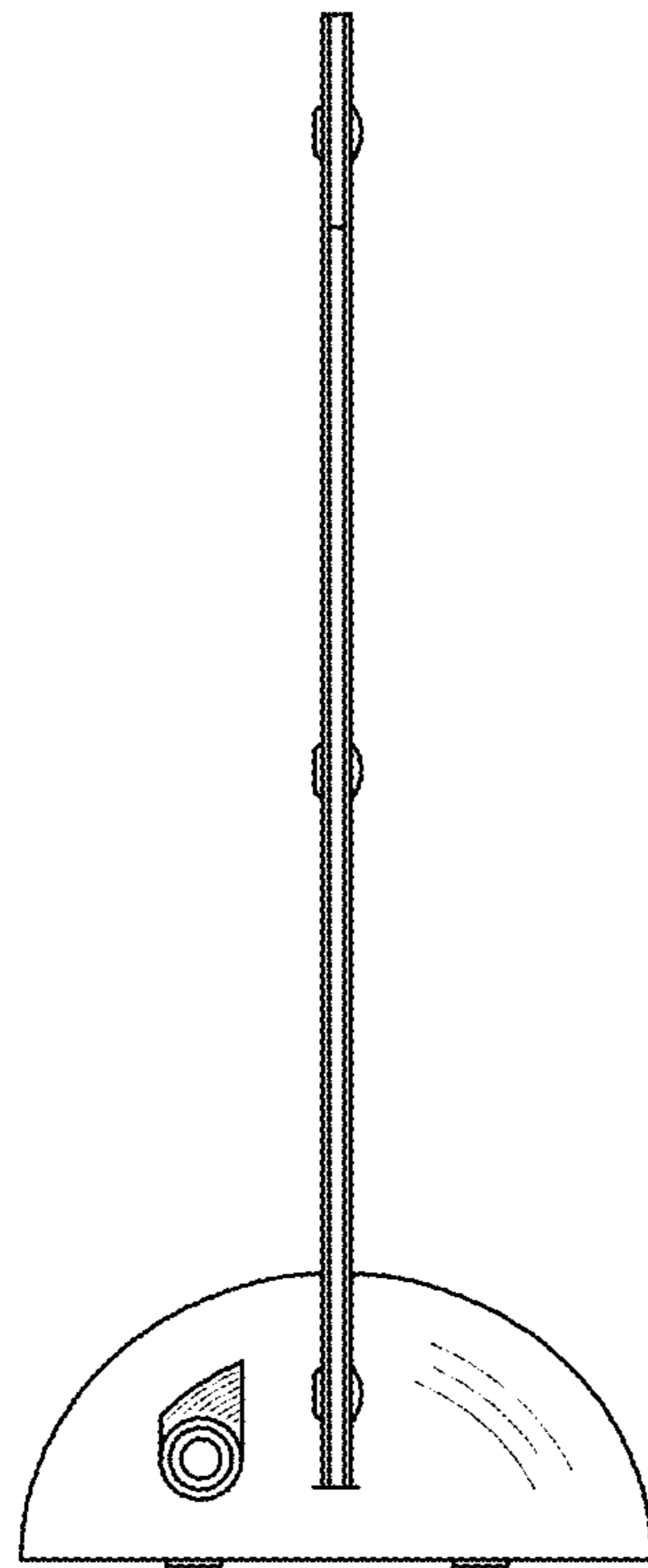


FIG. 4

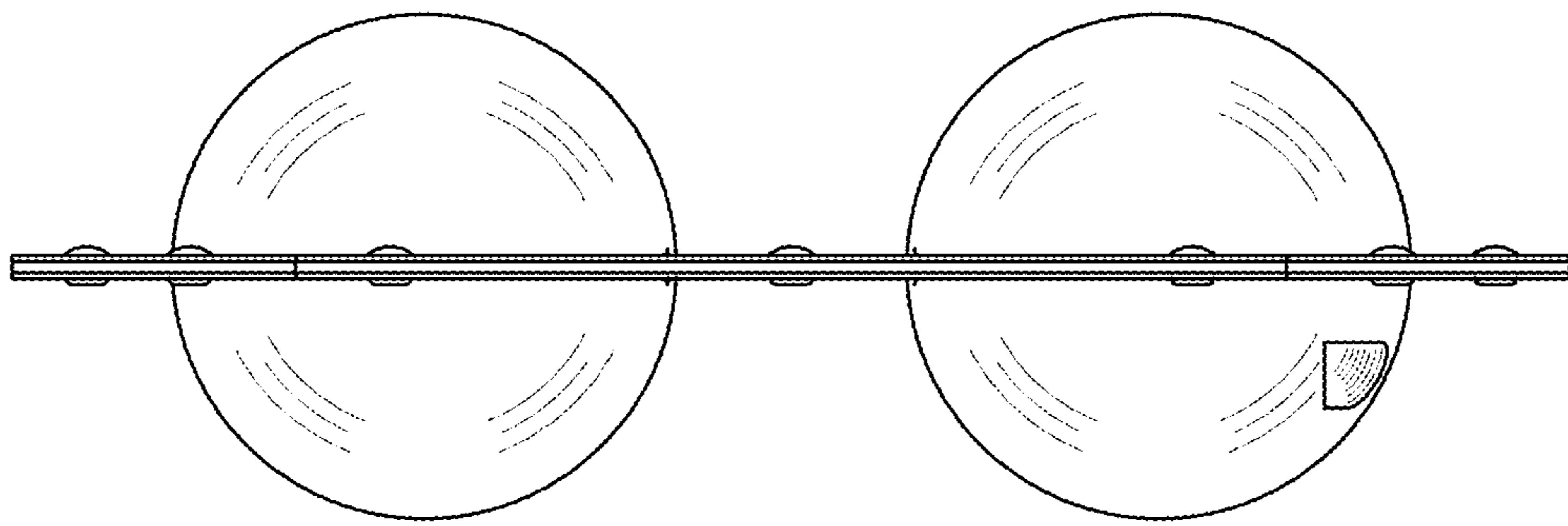


FIG. 5

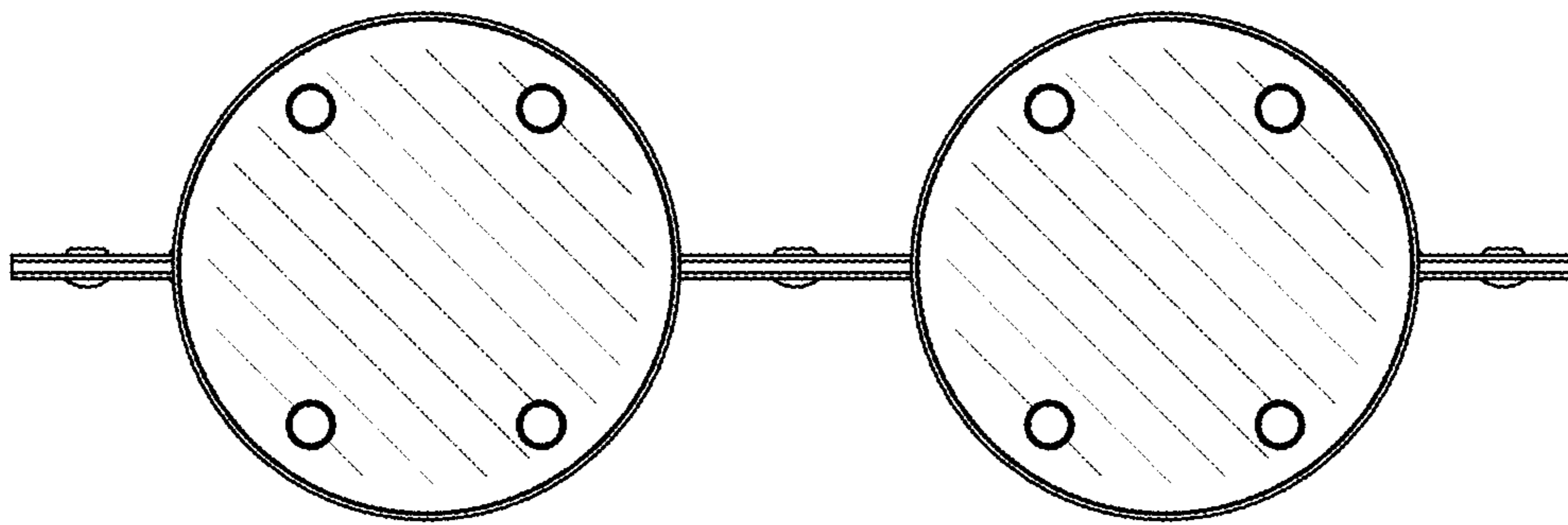


FIG. 6

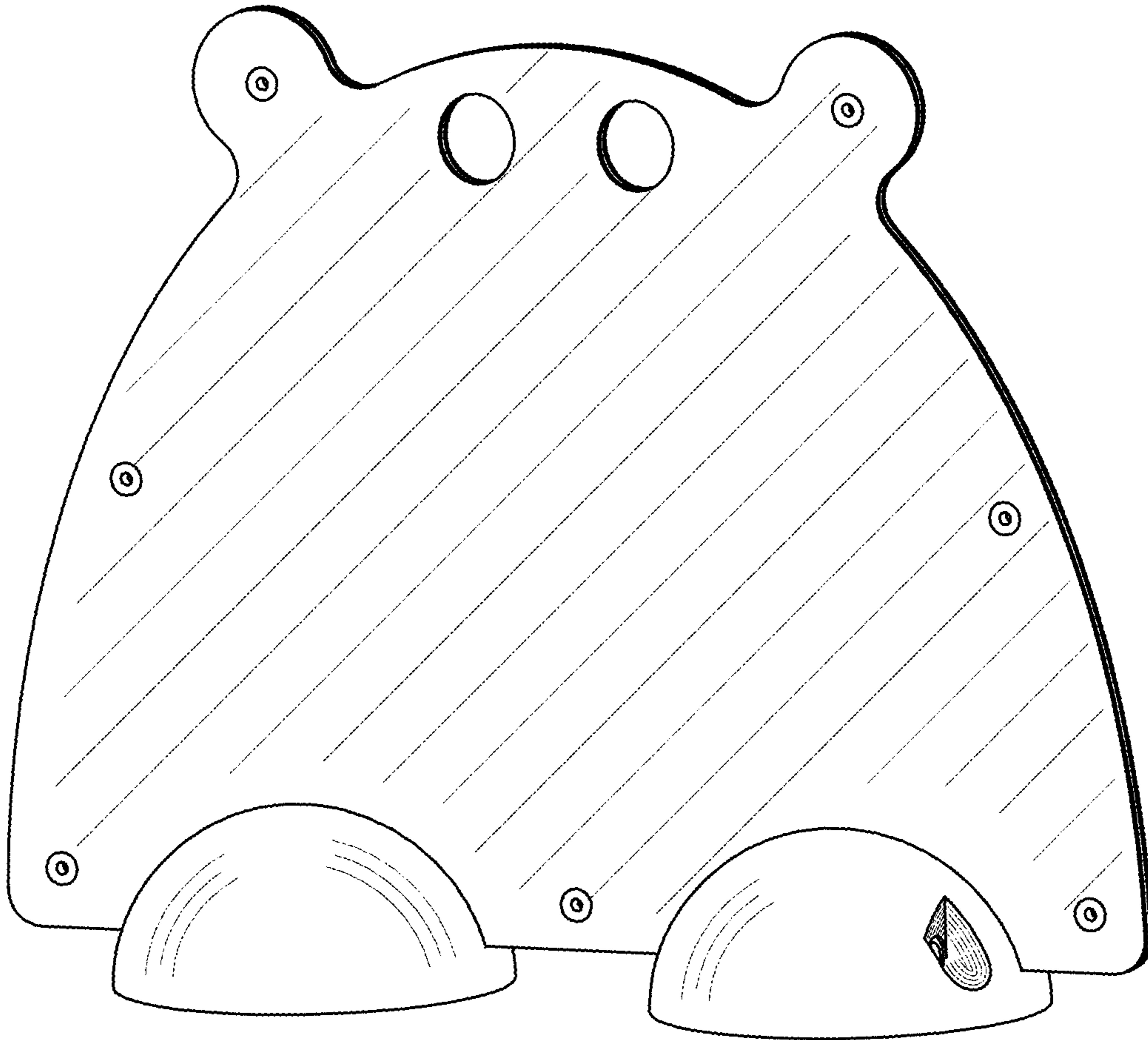


FIG. 7

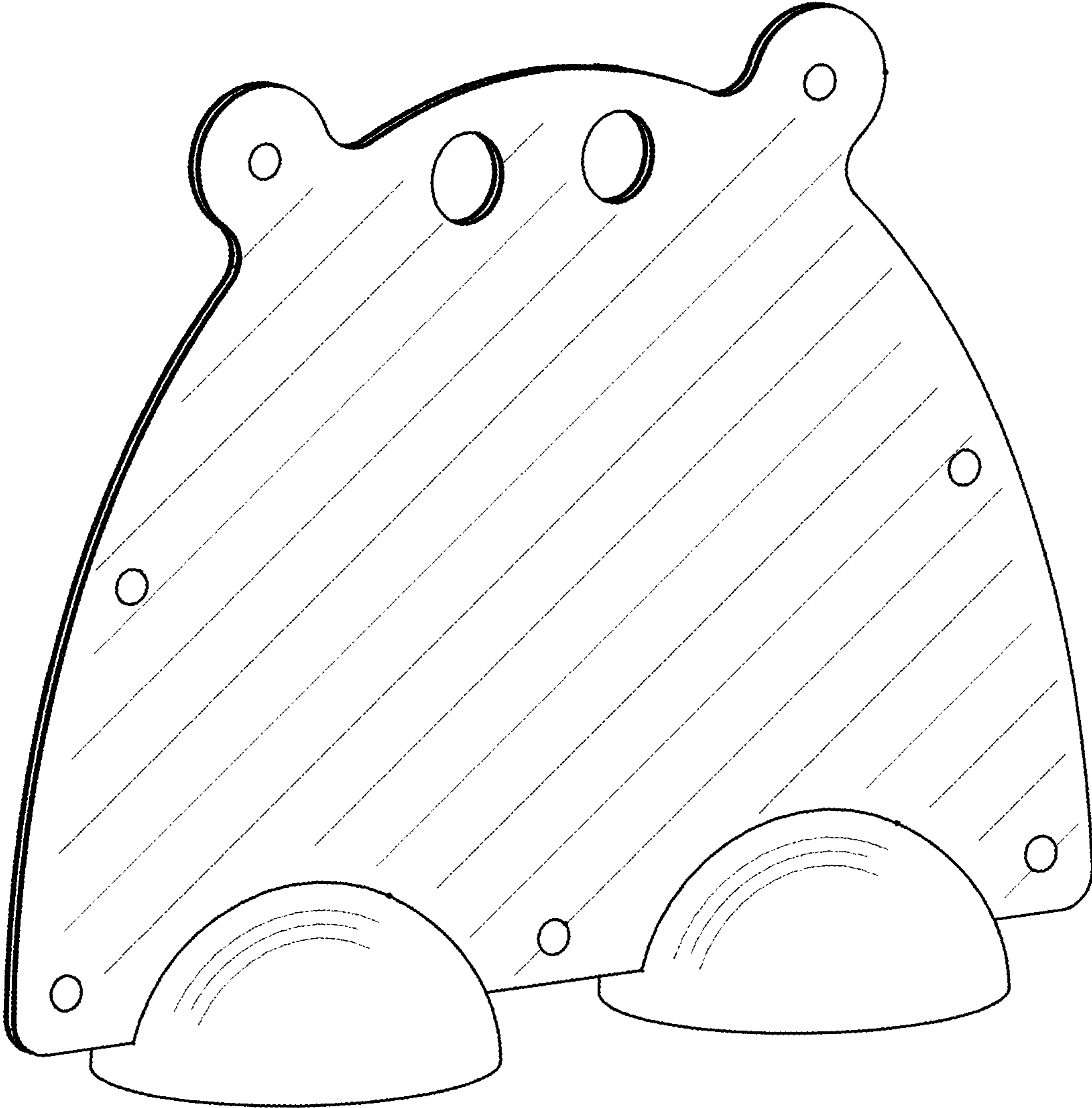


FIG. 8