



US00D893915S

(12) **United States Design Patent**  
**Thompson et al.**

(10) **Patent No.:** **US D893,915 S**

(45) **Date of Patent:** **\*\* Aug. 25, 2020**

(54) **LOTTERY TICKET MODULE**  
(71) Applicant: **Scientific Games International, Inc.**,  
Newark, DE (US)  
(72) Inventors: **Mark Andrew Thompson**, Buford, GA  
(US); **Sten Hallundbaek Mejenborg**,  
Cumming, GA (US); **James Jonathan**  
**Holbrook**, Cumming, GA (US)

(73) Assignee: **Scientific Games International, Inc.**,  
Newark, DE (US)

(\*\*) Term: **15 Years**

(21) Appl. No.: **29/663,988**

(22) Filed: **Sep. 20, 2018**

(51) **LOC (12) Cl.** ..... **20-02**

(52) **U.S. Cl.**  
USPC ..... **D6/515**

(58) **Field of Classification Search**  
USPC ..... D6/515, 517; 206/425, 812, 831;  
221/13.1, 26, 208, 255, 282, 284-285,  
221/296, 303, 305; 222/105, 129, 135,  
222/173, 570; 225/6, 32, 34-35;  
D20/1-9, 99  
CPC ... G06Q 10/087; G07F 11/002; G07F 11/007;  
G07F 17/329  
See application file for complete search history.

(56) **References Cited**

**U.S. PATENT DOCUMENTS**

2,938,623 A \* 5/1960 Eichorn ..... B65D 5/0005  
206/425  
D209,159 S \* 11/1967 Kesllman ..... D32/55  
4,379,603 A \* 4/1983 Johnson ..... A47B 95/02  
16/415  
4,580,679 A \* 4/1986 Hellman, III ..... G11B 33/0438  
206/308.3

4,627,535 A \* 12/1986 Kirchner ..... G11B 23/0236  
206/387.15  
4,923,070 A \* 5/1990 Jackle ..... A47F 1/12  
211/126.1  
4,995,507 A 2/1991 Schafer  
5,222,624 A 6/1993 Burr  
D369,622 S 5/1996 Fontaine  
D369,708 S \* 5/1996 Breen ..... D6/515  
5,590,770 A \* 1/1997 Yeh ..... G11B 33/0444  
206/308.1  
D380,113 S \* 6/1997 Byrd ..... D6/515  
D381,849 S \* 8/1997 Snyder ..... D6/515

(Continued)

*Primary Examiner* — Nathan M Johnston

(74) *Attorney, Agent, or Firm* — Dority & Manning, P.A.

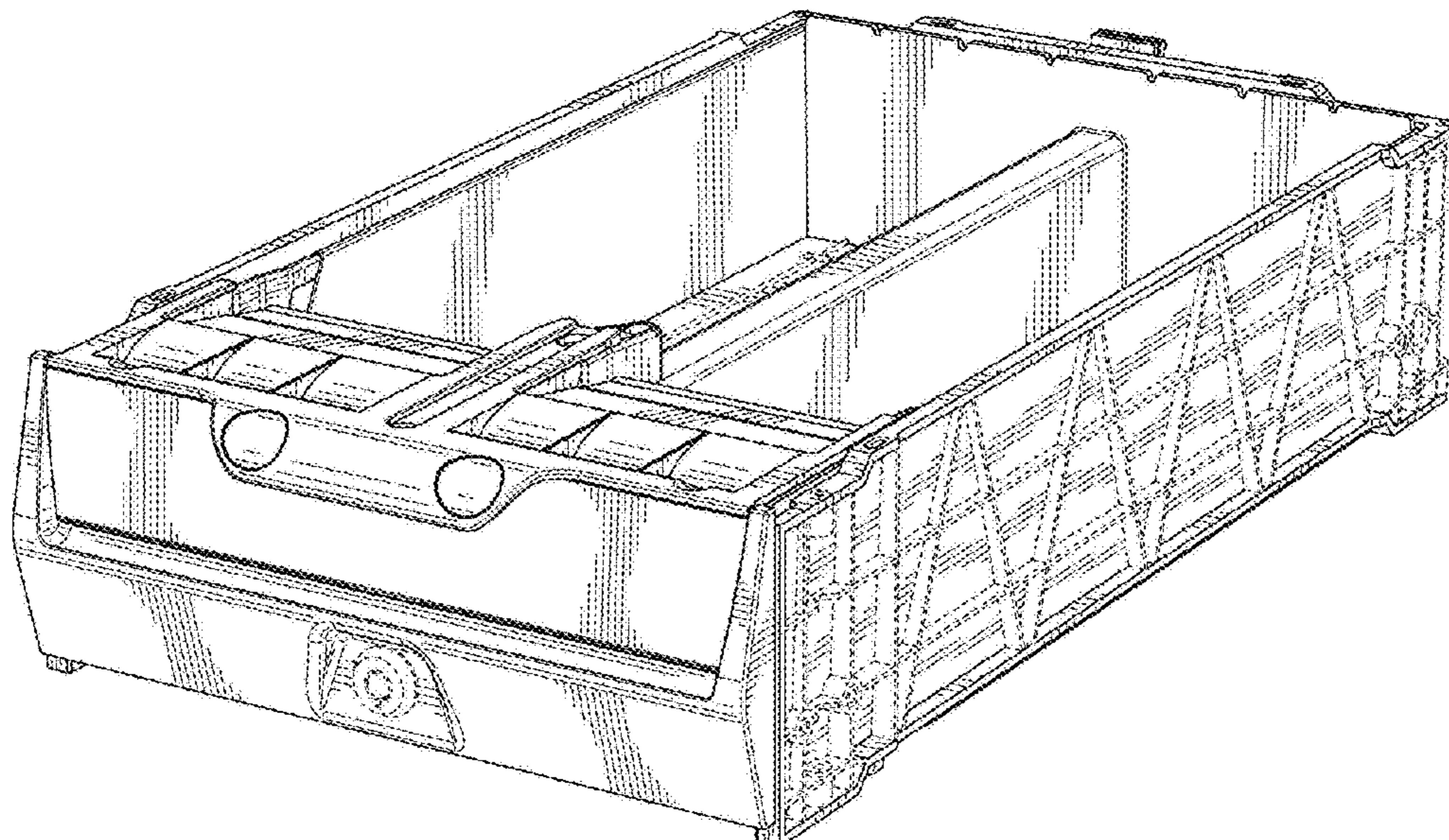
(57) **CLAIM**

The ornamental design for a lottery ticket module, as shown and described.

**DESCRIPTION**

FIG. 1 is a front and right side perspective view of a lottery ticket module according to the present design;  
FIG. 2 is a back and left side perspective view of the lottery ticket module of FIG. 1;  
FIG. 3 is a bottom and left side perspective view of the lottery ticket module of FIG. 1;  
FIG. 4 is a front view of the lottery ticket module of FIG. 1;  
FIG. 5 is a back view of the lottery ticket module of FIG. 1;  
FIG. 6 is a right side view of the lottery ticket module of FIG. 1, wherein a left side view of the lottery ticket module is identical to the right side view;  
FIG. 7 is a top view of the lottery ticket module of FIG. 1; and,  
FIG. 8 is a bottom view of the lottery ticket module of FIG. 1.  
The claimed design comprises the elements shown in solid lines, the elements shown in dotted lines forming no part of the claimed design.

**1 Claim, 7 Drawing Sheets**



(56)

References Cited

U.S. PATENT DOCUMENTS

|              |      |         |                 |                           |
|--------------|------|---------|-----------------|---------------------------|
| D382,141     | S    | 8/1997  | Capeto          |                           |
| D395,970     | S    | 7/1998  | Curry           |                           |
| 5,996,794    | A *  | 12/1999 | Popovich .....  | G03B 21/54<br>206/425     |
| D423,217     | S *  | 4/2000  | Varfeldt .....  | D3/201                    |
| 6,237,784    | B1 * | 5/2001  | Primiano .....  | A47F 1/12<br>211/59.2     |
| D459,927     | S *  | 7/2002  | Flowers .....   | D6/517                    |
| 6,739,461    | B1 * | 5/2004  | Robinson .....  | A47F 1/12<br>211/175      |
| D501,227     | S    | 1/2005  | Boothe et al.   |                           |
| 6,901,631    | B1 * | 6/2005  | Lin .....       | H05K 7/1409<br>16/110.1   |
| 7,040,726    | B2 * | 5/2006  | Steffee .....   | A47B 95/02<br>16/415      |
| D592,704     | S    | 5/2009  | Becker et al.   |                           |
| D595,358     | S    | 6/2009  | Becker et al.   |                           |
| 10,134,244   | B1 * | 11/2018 | Holbrook .....  | G07F 17/329               |
| 2005/0211582 | A1 * | 9/2005  | Richards .....  | G11B 33/0466<br>206/308.1 |
| 2007/0075028 | A1 * | 4/2007  | Nagel .....     | A47F 3/0486<br>211/59.2   |
| 2009/0261048 | A1 * | 10/2009 | Roeske .....    | A47F 1/126<br>211/59.2    |
| 2010/0107670 | A1 * | 5/2010  | Kottke .....    | A47F 1/126<br>62/250      |
| 2011/0048304 | A1 * | 3/2011  | Kato .....      | D05B 91/16<br>112/302     |
| 2011/0100941 | A1 * | 5/2011  | Luberto .....   | A47F 1/126<br>211/134     |
| 2012/0055397 | A1 * | 3/2012  | Kodama .....    | B41J 2/1752<br>118/300    |
| 2014/0046481 | A1 * | 2/2014  | Siciliano ..... | B65D 83/12<br>700/236     |

\* cited by examiner

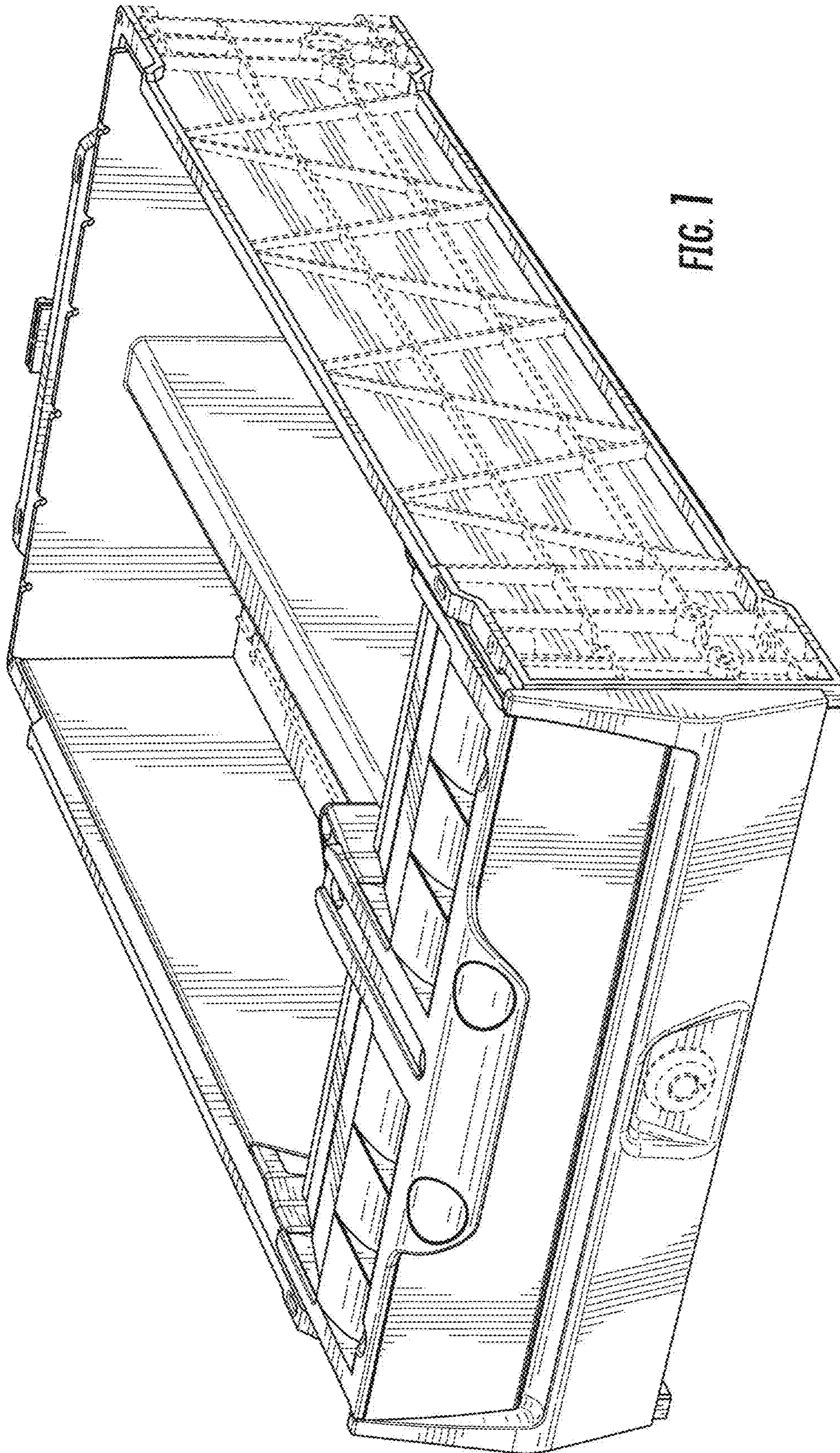


FIG. 1

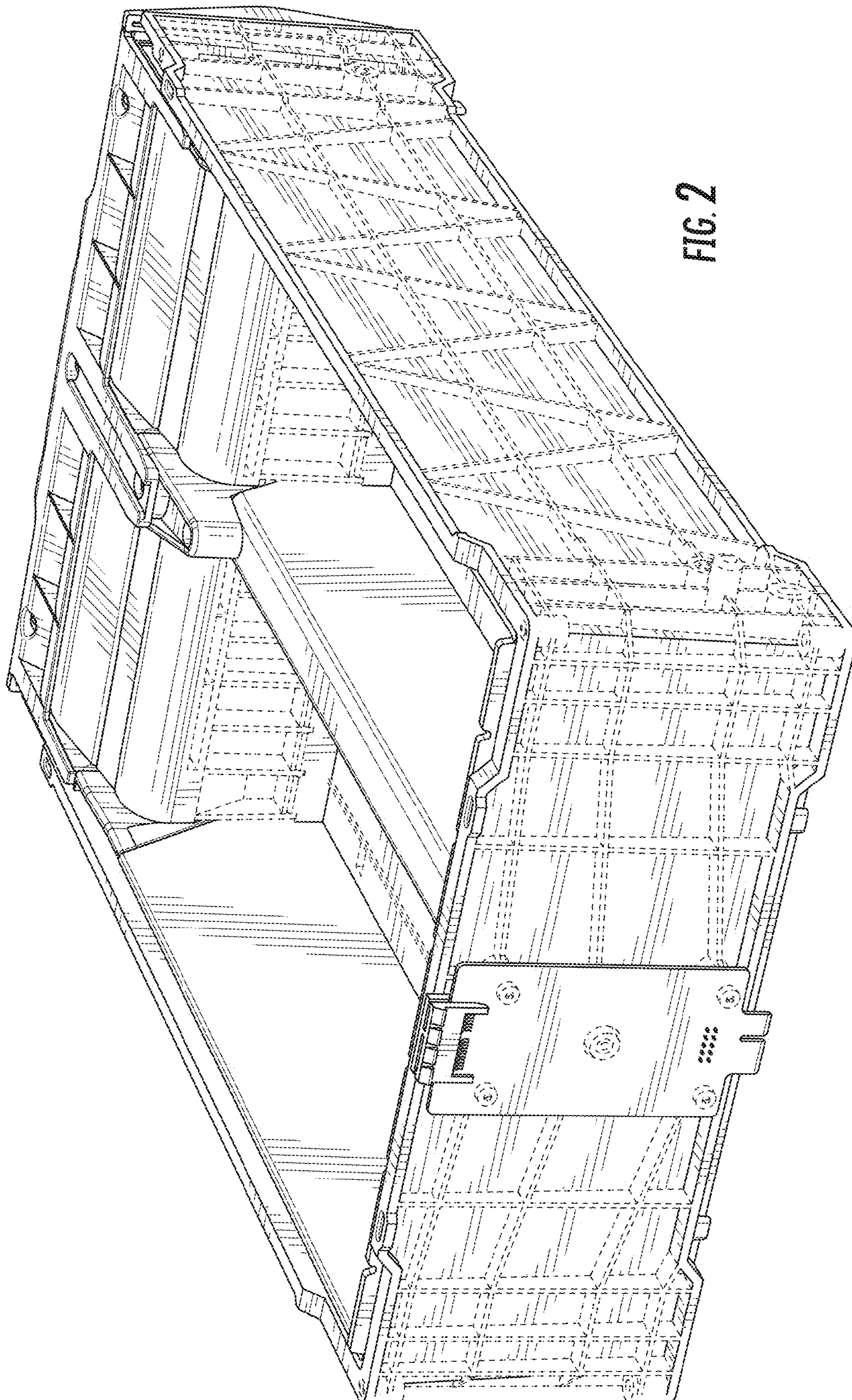


FIG. 2

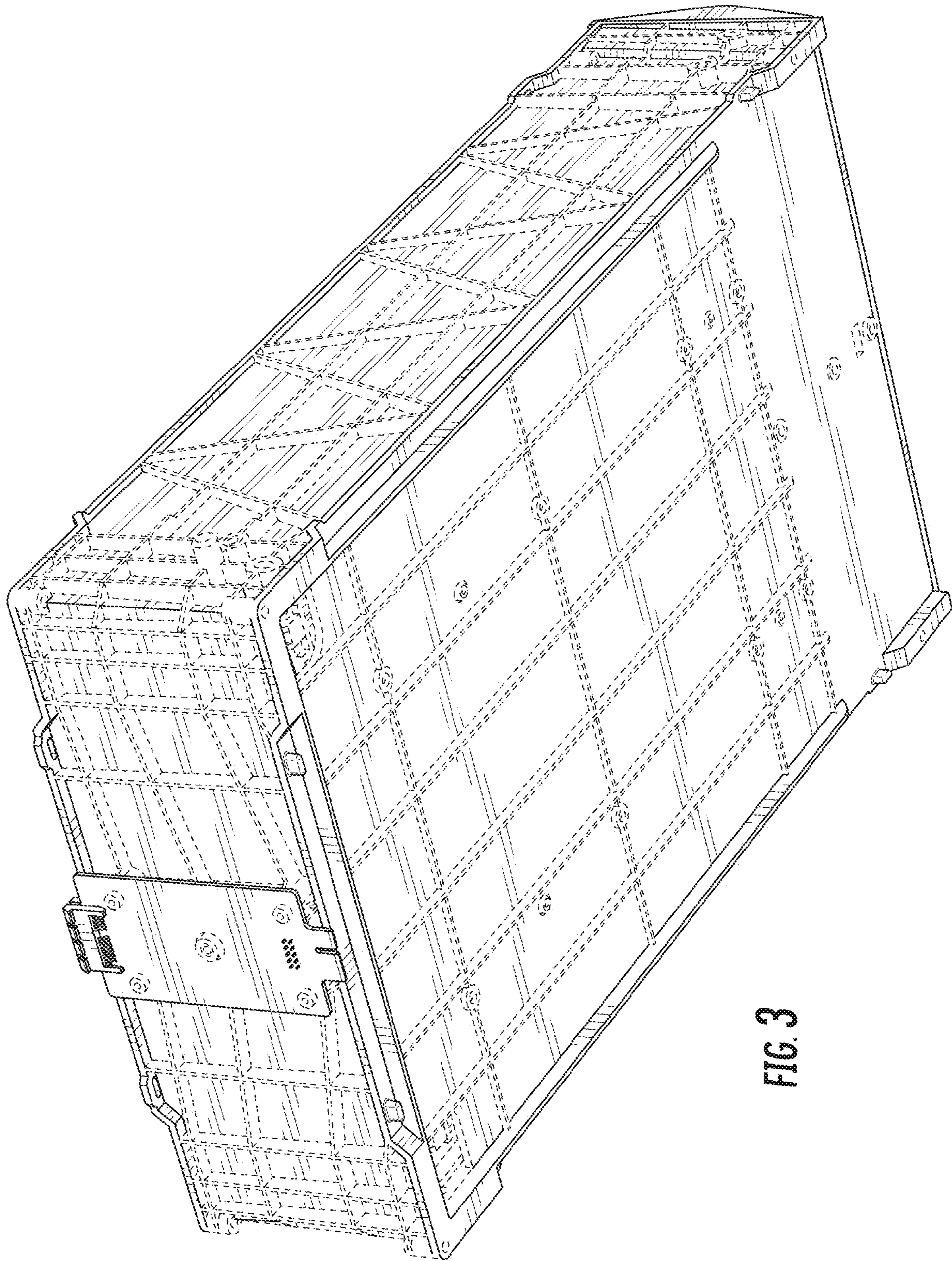


FIG. 3

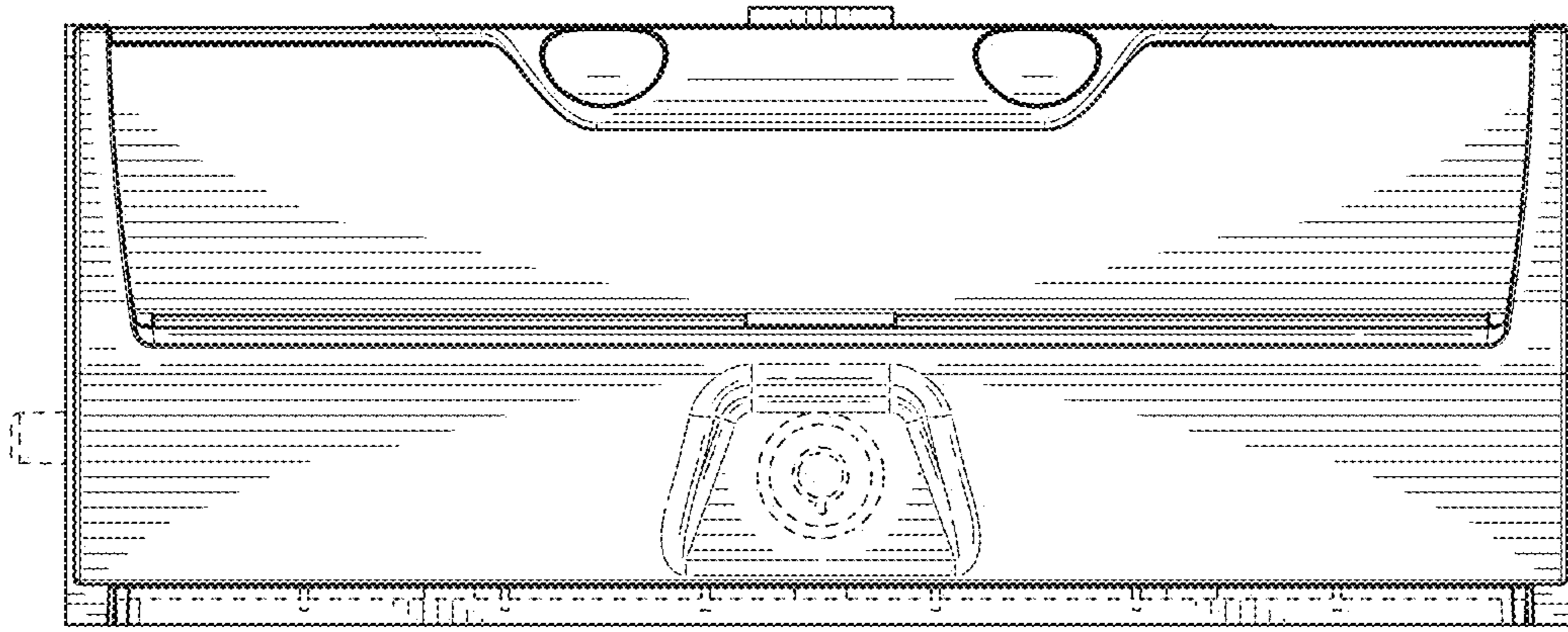


FIG. 4

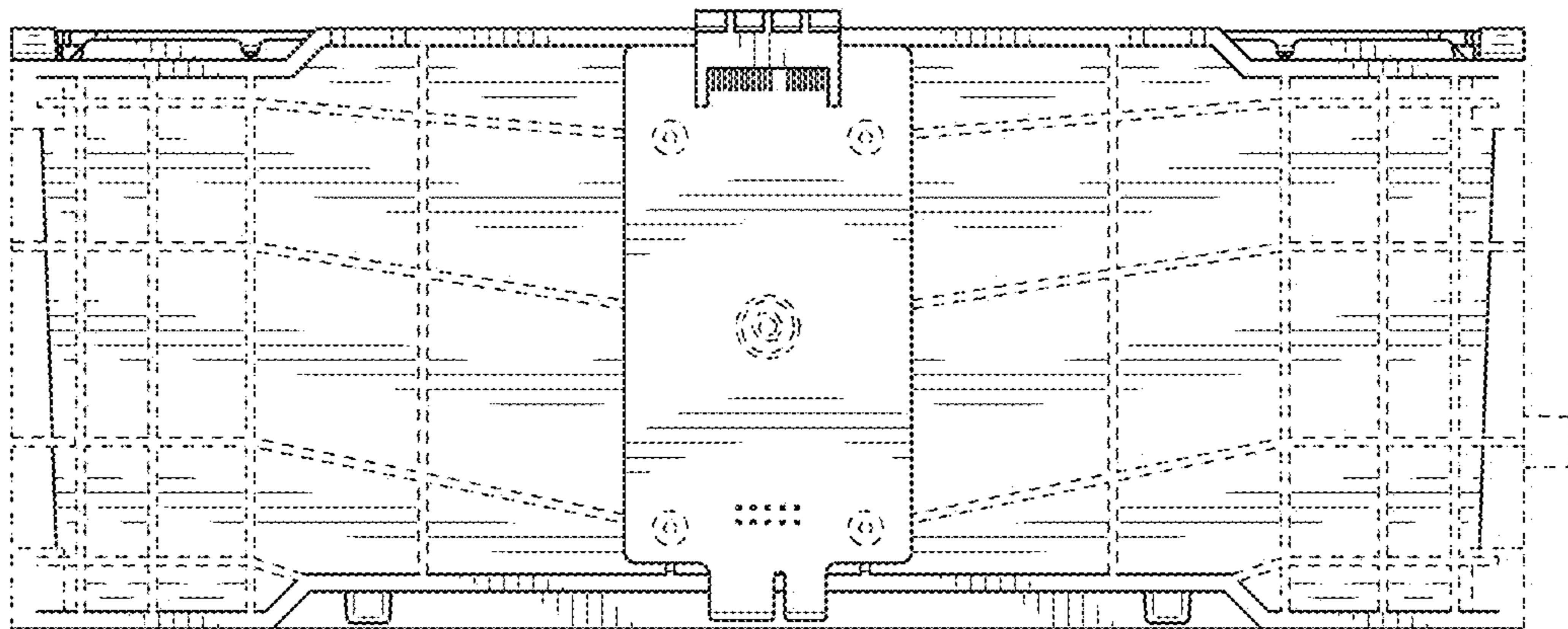


FIG. 5

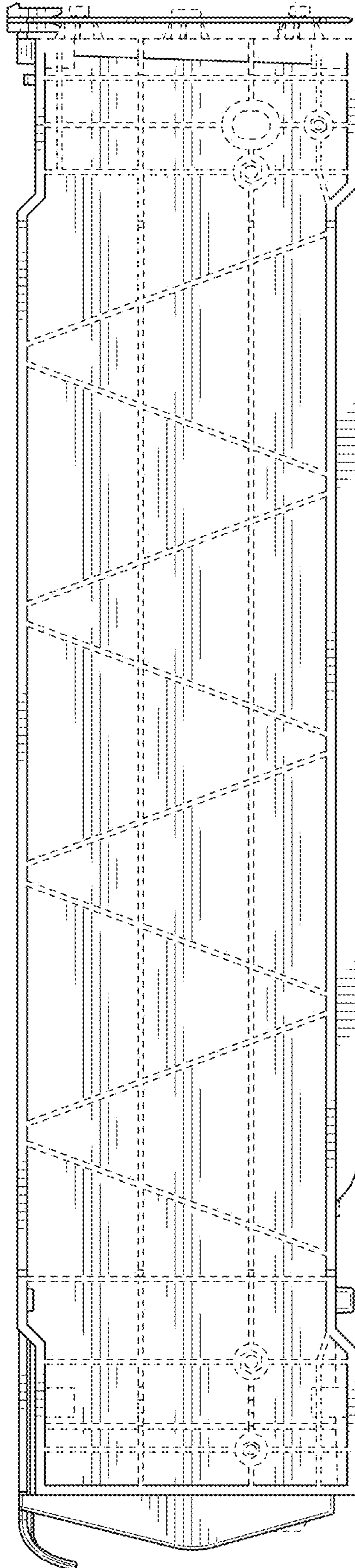


FIG. 6

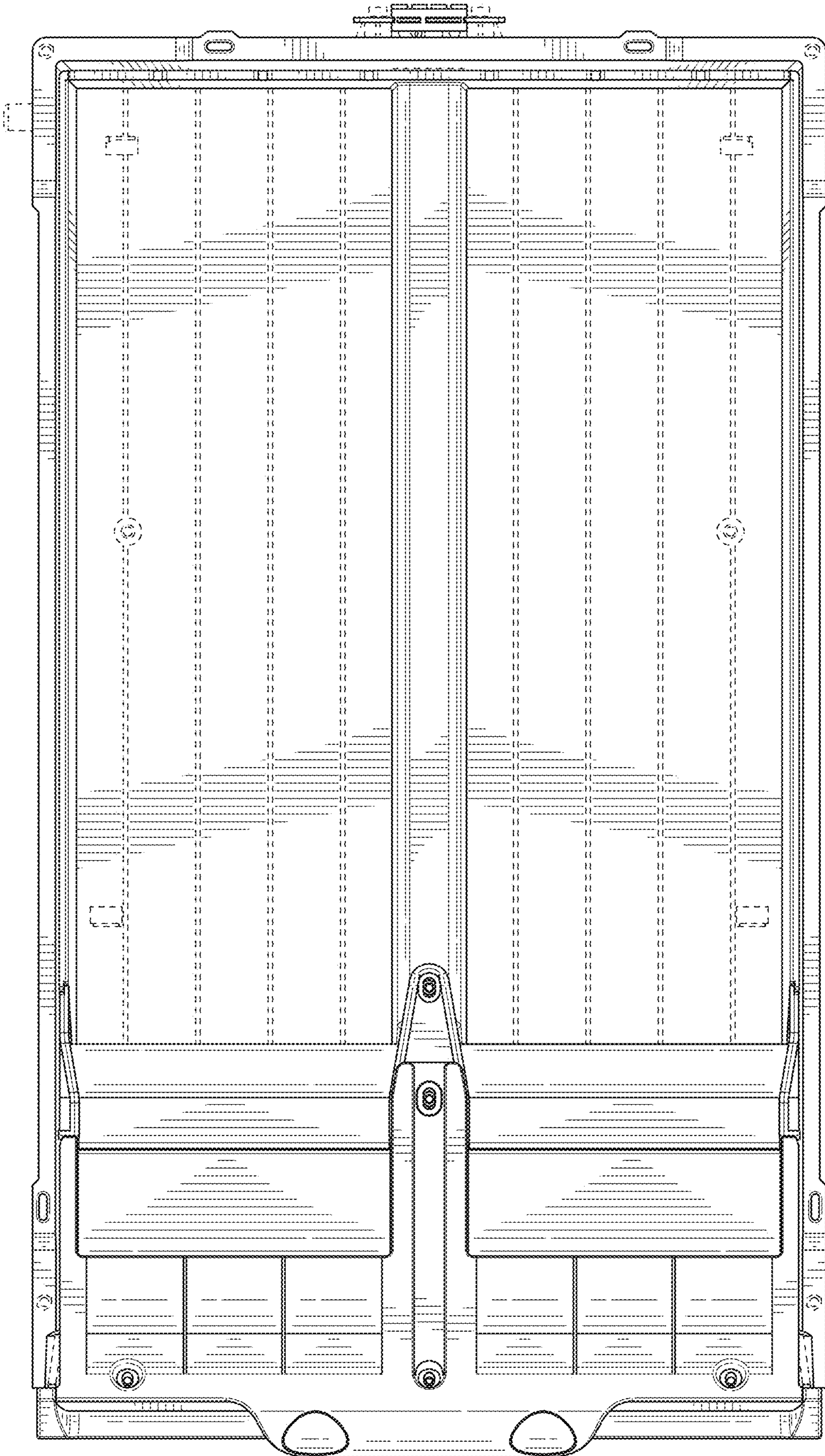


FIG. 7



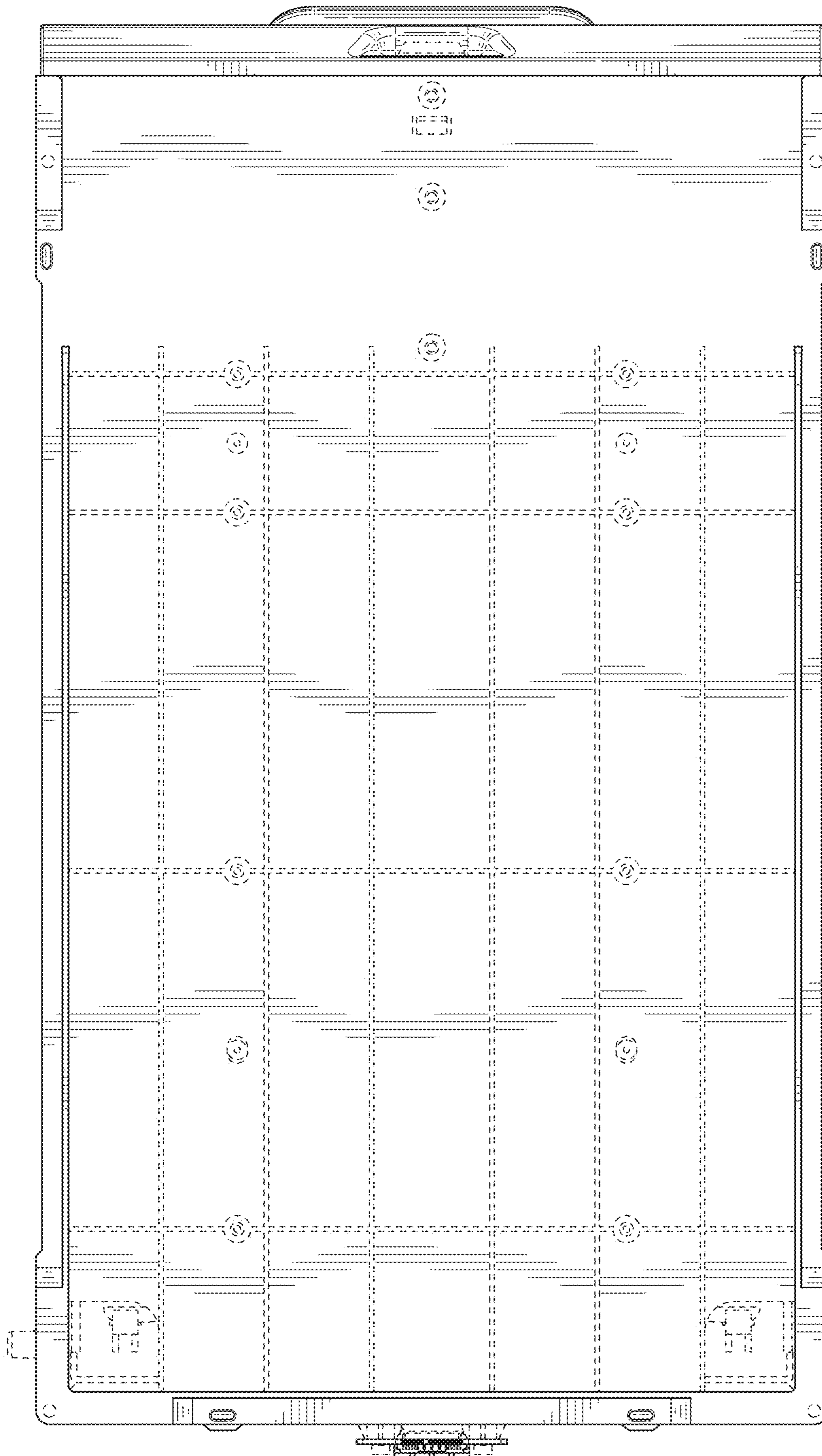


FIG. 8