



US00D893914S

(12) **United States Design Patent**  
**Lok**

(10) **Patent No.:** **US D893,914 S**

(45) **Date of Patent:** **\*\* Aug. 25, 2020**

(54) **BED**

(71) Applicants: **CF Fantastic Industries SDN BHD**,  
Muar, Johor (MY); **Cheng Feng**  
**Enterprise SDN BHD**, Muar, Johor  
(MY)

(72) Inventor: **Kong Hoh Lok**, Muar (MY)

(73) Assignees: **CF Fantastic Industries SDN BHD**,  
Muar, Johor (MY); **Cheng Feng**  
**Enterprise SDN BHD**, Muar, Johor  
(MY)

(\*\*) Term: **15 Years**

(21) Appl. No.: **29/682,002**

(22) Filed: **Feb. 28, 2019**

(51) **LOC (12) Cl.** ..... **06-06**

(52) **U.S. Cl.**  
USPC ..... **D6/393; D6/718.23**

(58) **Field of Classification Search**  
USPC ..... D6/382-383, 393-395, 718, 718.13,  
D6/718.23; D21/520

CPC ..... A47C 19/00; A47C 19/021; A47C 19/022;  
A47C 31/006

See application file for complete search history.

(56) **References Cited**

**U.S. PATENT DOCUMENTS**

2,624,891 A \* 1/1953 Katzoff ..... A47C 19/022  
5/280  
2,745,212 A \* 5/1956 Guzzino ..... A47C 27/00  
5/655.6

D184,856 S \* 4/1959 Dresher ..... D6/718.23  
D210,763 S \* 4/1968 Kessler ..... D6/718.23  
D519,764 S \* 5/2006 O'Hare ..... D6/718.19  
D642,836 S \* 8/2011 Schmitt ..... D6/718.19  
D663,977 S \* 7/2012 Schmitt ..... D6/718.23  
D733,478 S \* 7/2015 Schmitt ..... D6/718.19  
D752,357 S \* 3/2016 Lu ..... D6/393  
D787,222 S \* 5/2017 Gregory ..... D6/393

\* cited by examiner

*Primary Examiner* — Cathron C Brooks

(74) *Attorney, Agent, or Firm* — Hard IP LLC

(57) **CLAIM**

The ornamental design for a bed, as shown and described.

**DESCRIPTION**

FIG. 1 is an isometric view of a bed in accordance with the present design;

FIG. 2 is a front view thereof;

FIG. 3 is a rear view thereof;

FIG. 4 is a left view thereof;

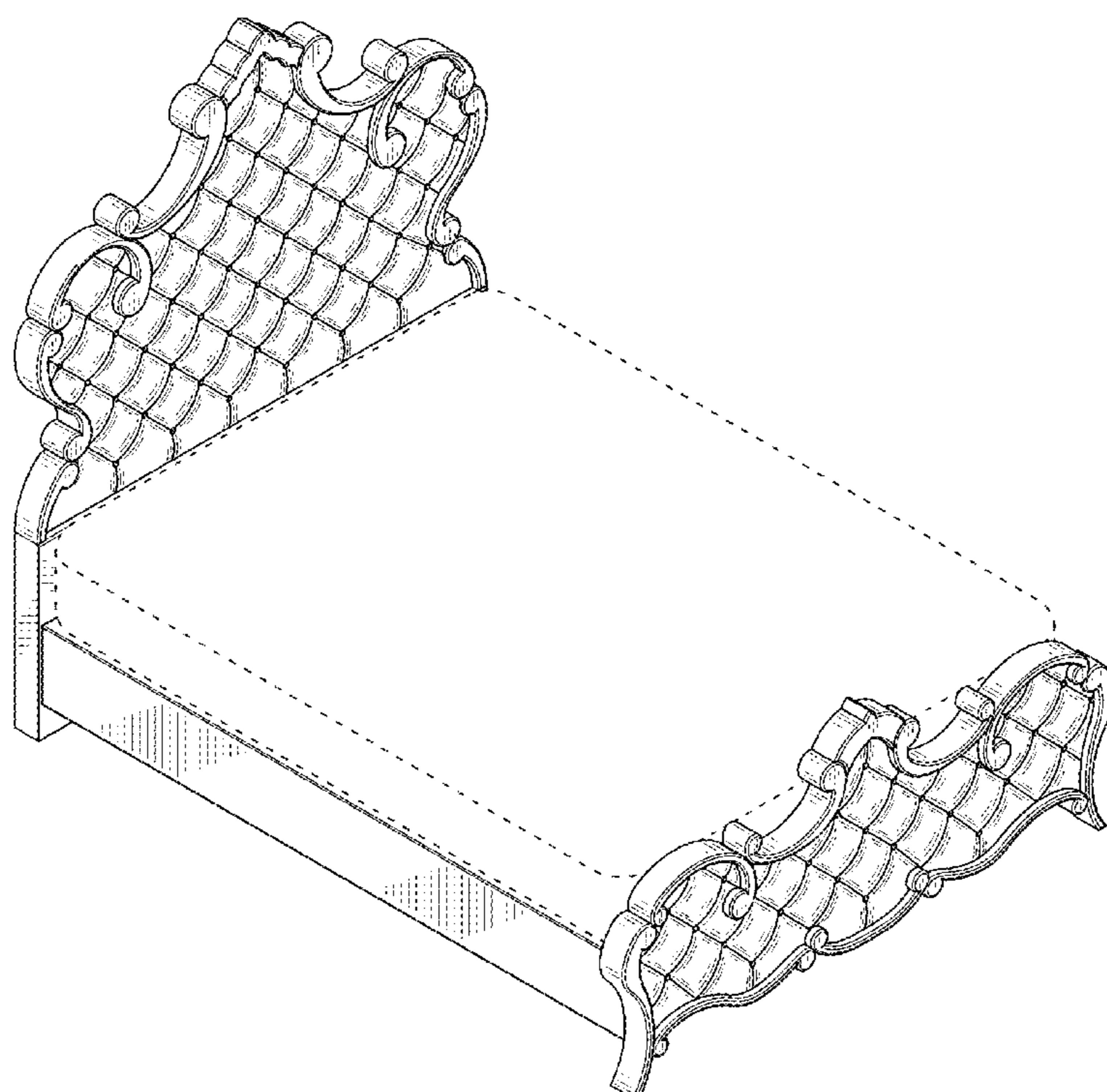
FIG. 5 is a right view thereof;

FIG. 6 is a top view thereof; and,

FIG. 7 is a bottom view thereof.

The broken lines in the drawings illustrate environmental subject matter, and form no part of the claimed design.

**1 Claim, 6 Drawing Sheets**



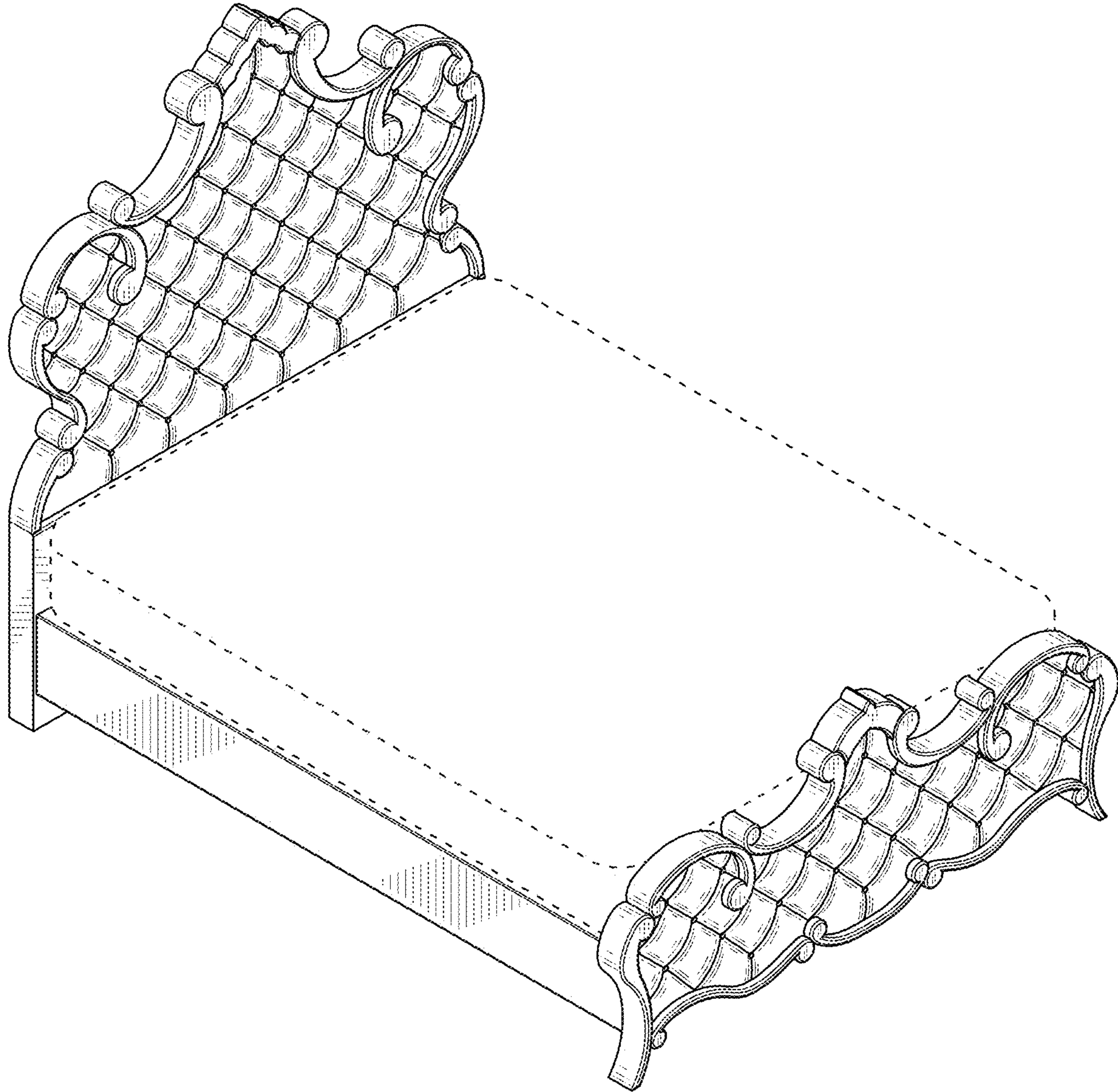


FIG. 1

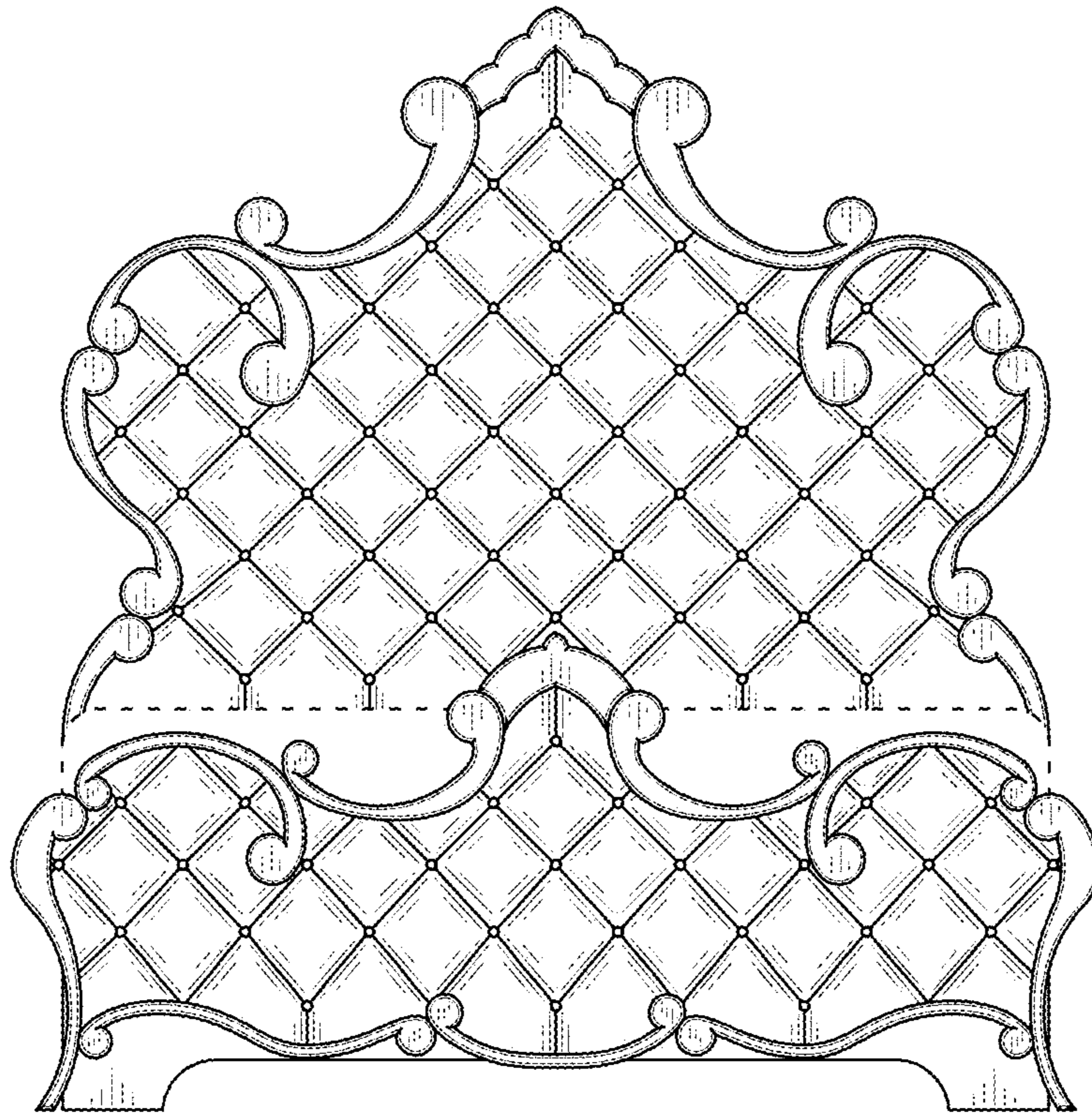


FIG. 2

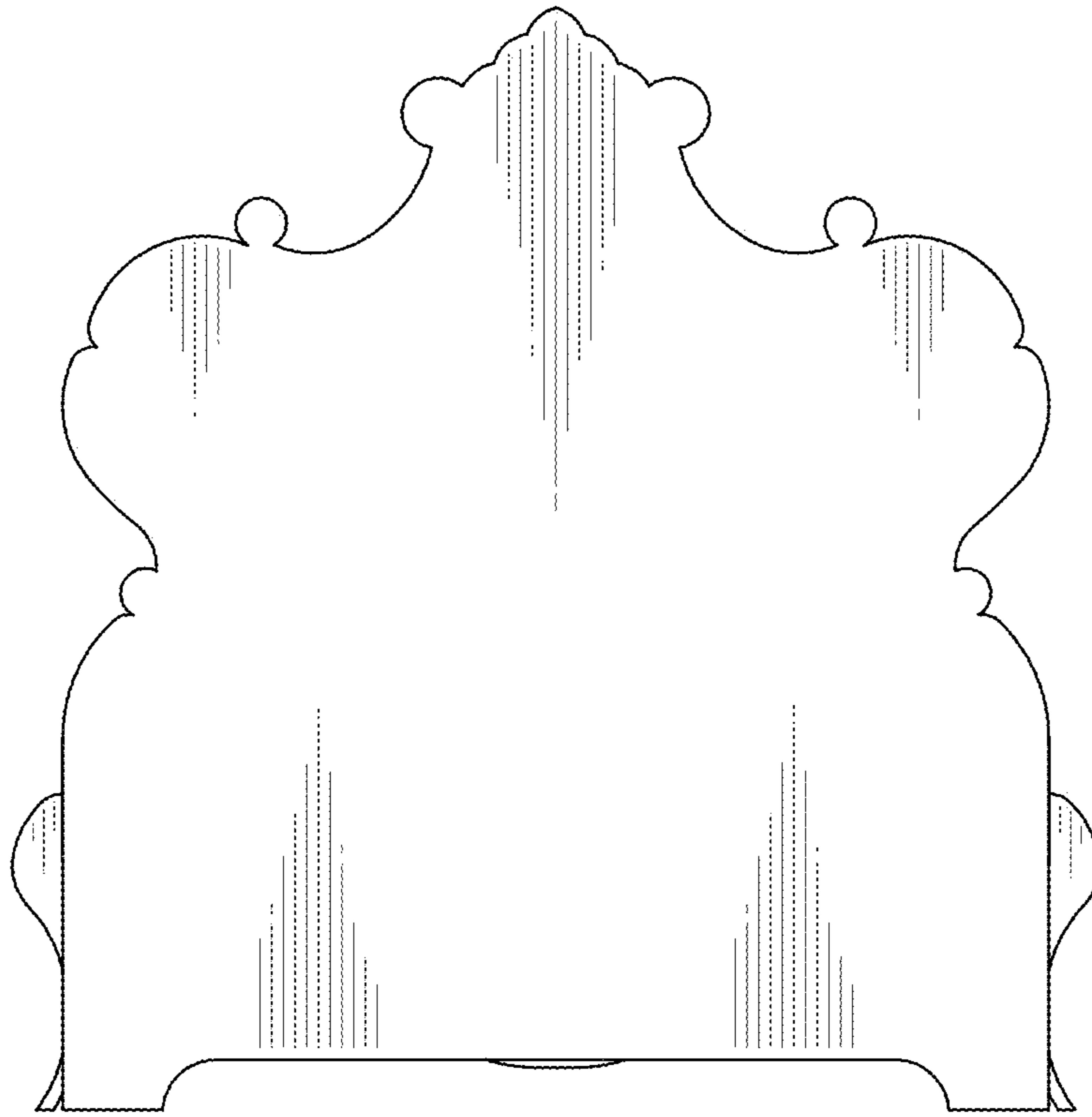


FIG. 3

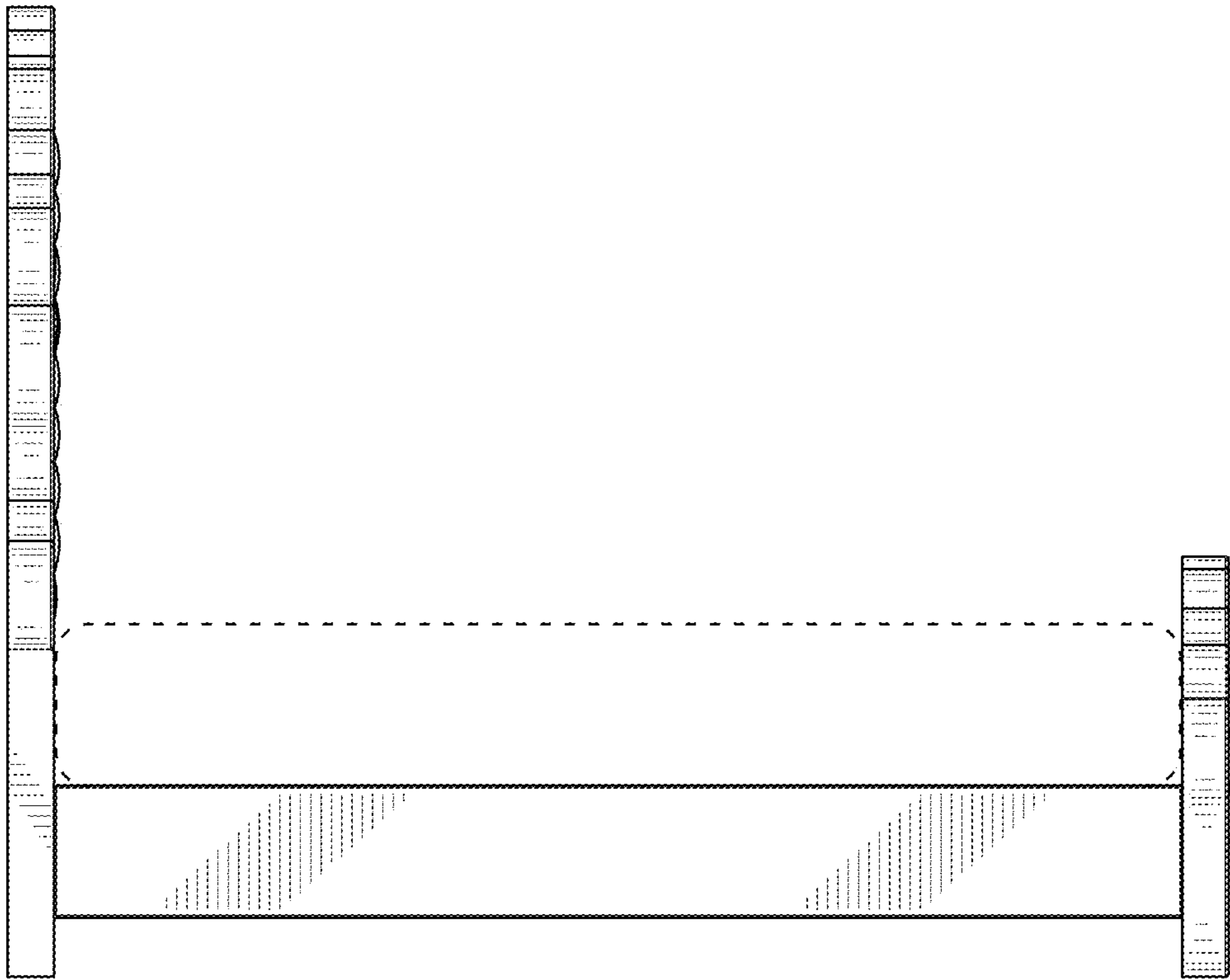


FIG. 4



FIG. 5



FIG. 6

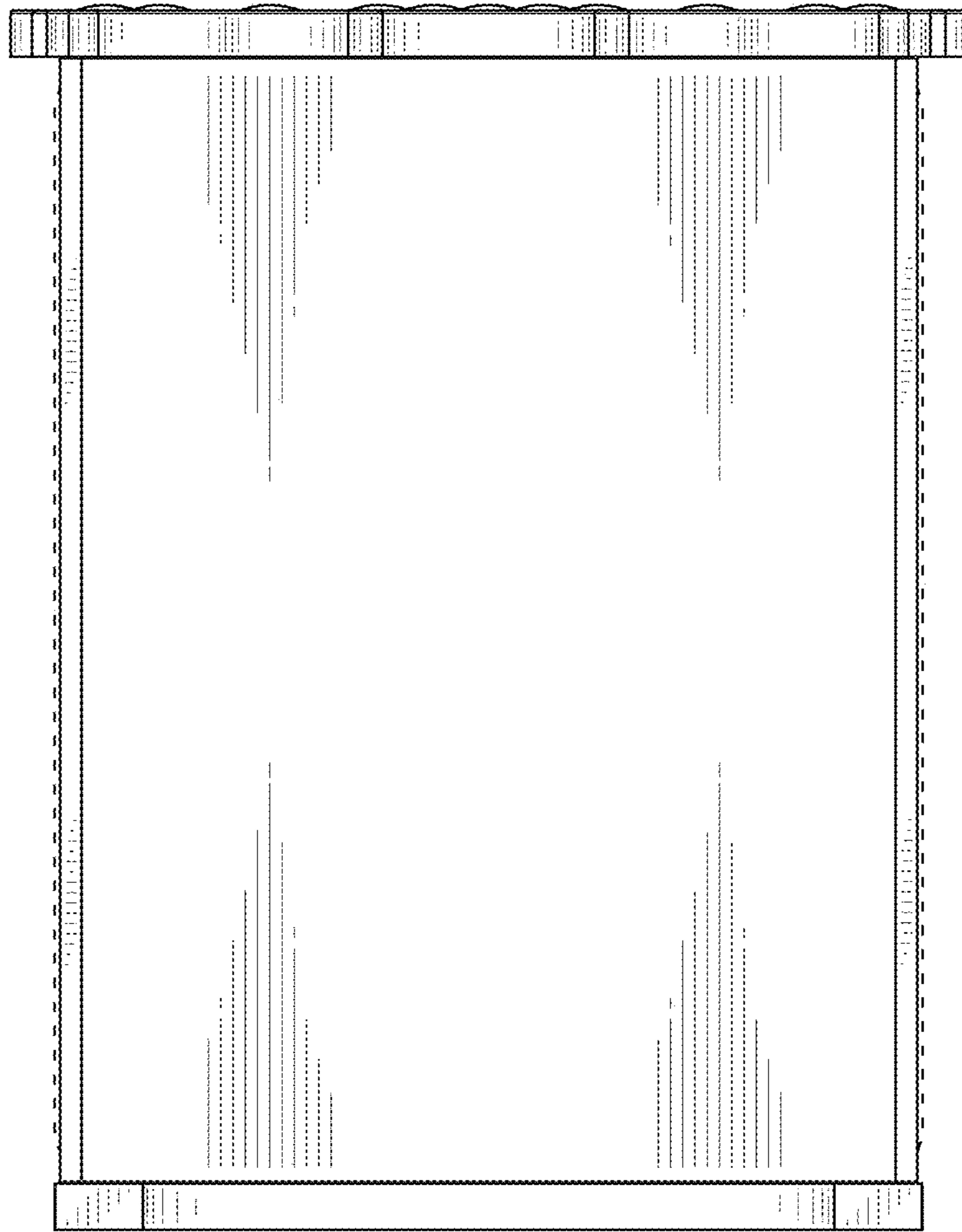


FIG. 7