



US00D893913S

(12) **United States Design Patent**  
**Velez**

(10) **Patent No.:** **US D893,913 S**

(45) **Date of Patent:** **\*\* \*Aug. 25, 2020**

(54) **SOFA**

(71) Applicant: **Holly Hunt Enterprises, Inc.**, Chicago, IL (US)

(72) Inventor: **Alberto Velez**, Chicago, IL (US)

(73) Assignee: **Holly Hunt Enterprises, Inc.**

(\*) Notice: This patent is subject to a terminal disclaimer.

(\*\*) Term: **15 Years**

(21) Appl. No.: **29/650,673**

(22) Filed: **Jun. 8, 2018**

(51) **LOC (12) Cl.** ..... **06-02**

(52) **U.S. Cl.**  
USPC ..... **D6/381; D6/374; D6/380**

(58) **Field of Classification Search**  
USPC ..... D6/334, 374, 377, 379, 380, 381  
CPC .... A47C 7/16; A47C 7/18; A47C 7/24; A47C 17/00; A47C 17/02; A47C 17/86  
See application file for complete search history.

(56) **References Cited**

**U.S. PATENT DOCUMENTS**

D252,486 S \* 7/1979 Petersilie ..... D6/381  
D446,039 S \* 8/2001 Gomez ..... D6/381

D477,472 S \* 7/2003 Bauchet ..... D6/381  
D482,890 S \* 12/2003 Fernandes ..... D6/334  
D554,387 S \* 11/2007 Nicoletti ..... D6/381  
D706,053 S \* 6/2014 Schwamkrug ..... D6/374  
D727,647 S \* 4/2015 Sorel ..... D6/371

\* cited by examiner

*Primary Examiner* — Cathron C Brooks

(74) *Attorney, Agent, or Firm* — The Belles Group, P.C.

(57) **CLAIM**

I claim the ornamental design for a sofa, as shown and described.

**DESCRIPTION**

FIG. 1 is a front perspective view of a sofa showing my new design.

FIG. 2 is a rear perspective view thereof.

FIG. 3 is a front elevation view thereof.

FIG. 4 is a rear elevation view thereof.

FIG. 5 is a left side view thereof.

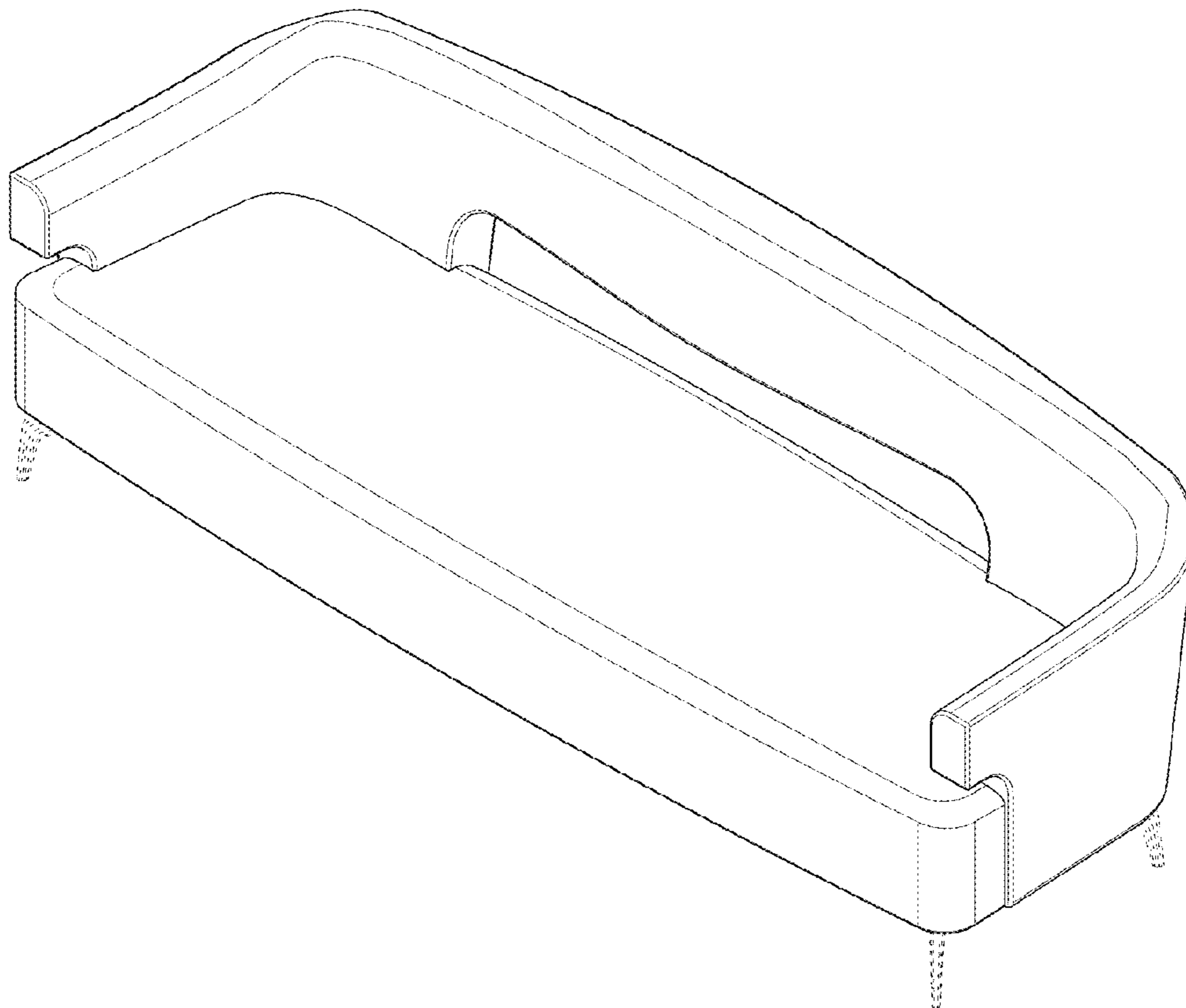
FIG. 6 is a right side view thereof.

FIG. 7 is a top plan view thereof; and,

FIG. 8 is a bottom plan view thereof.

The broken lines illustrate portions of the sofa that form no part of the claimed design.

**1 Claim, 5 Drawing Sheets**



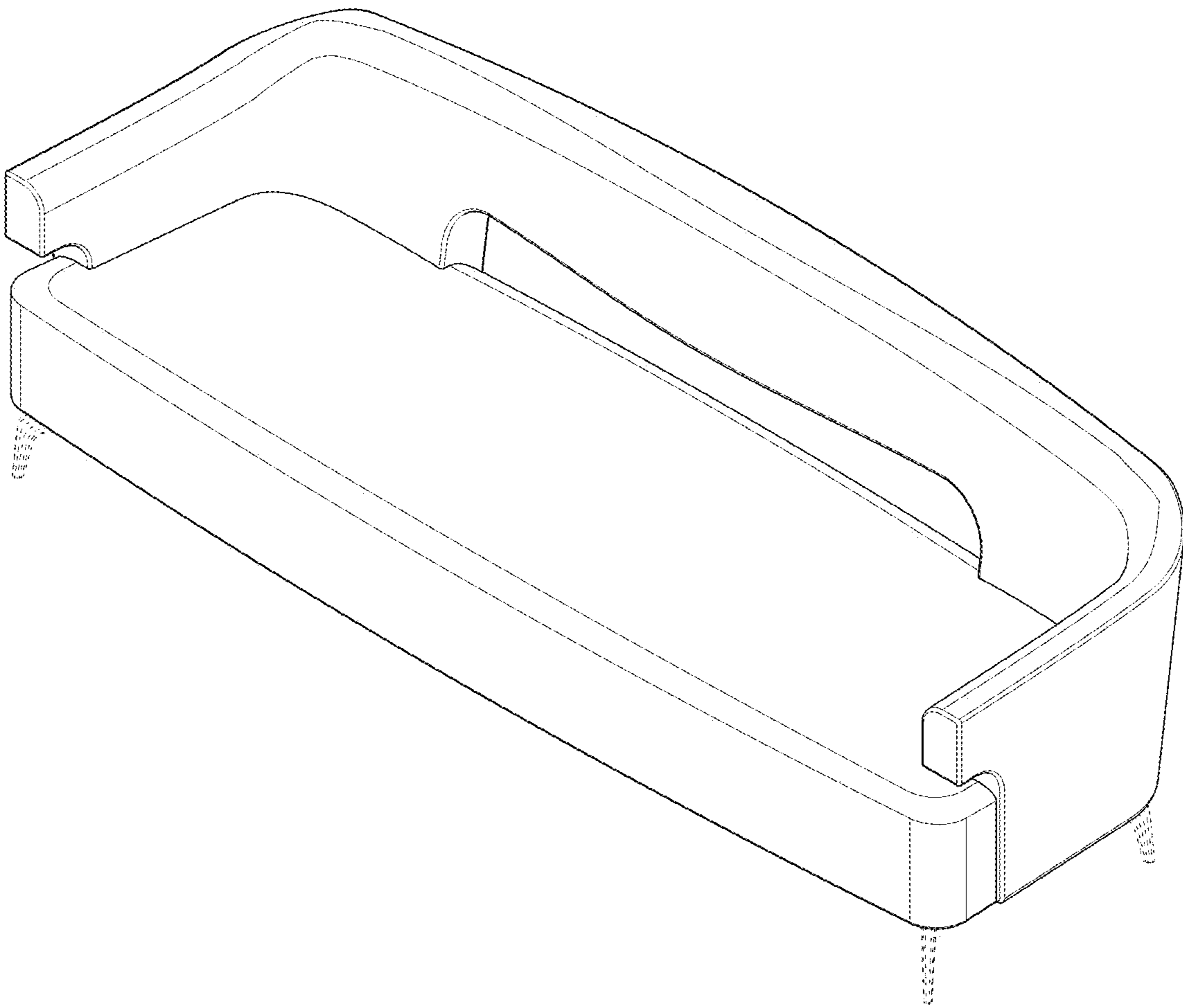


FIG. 1

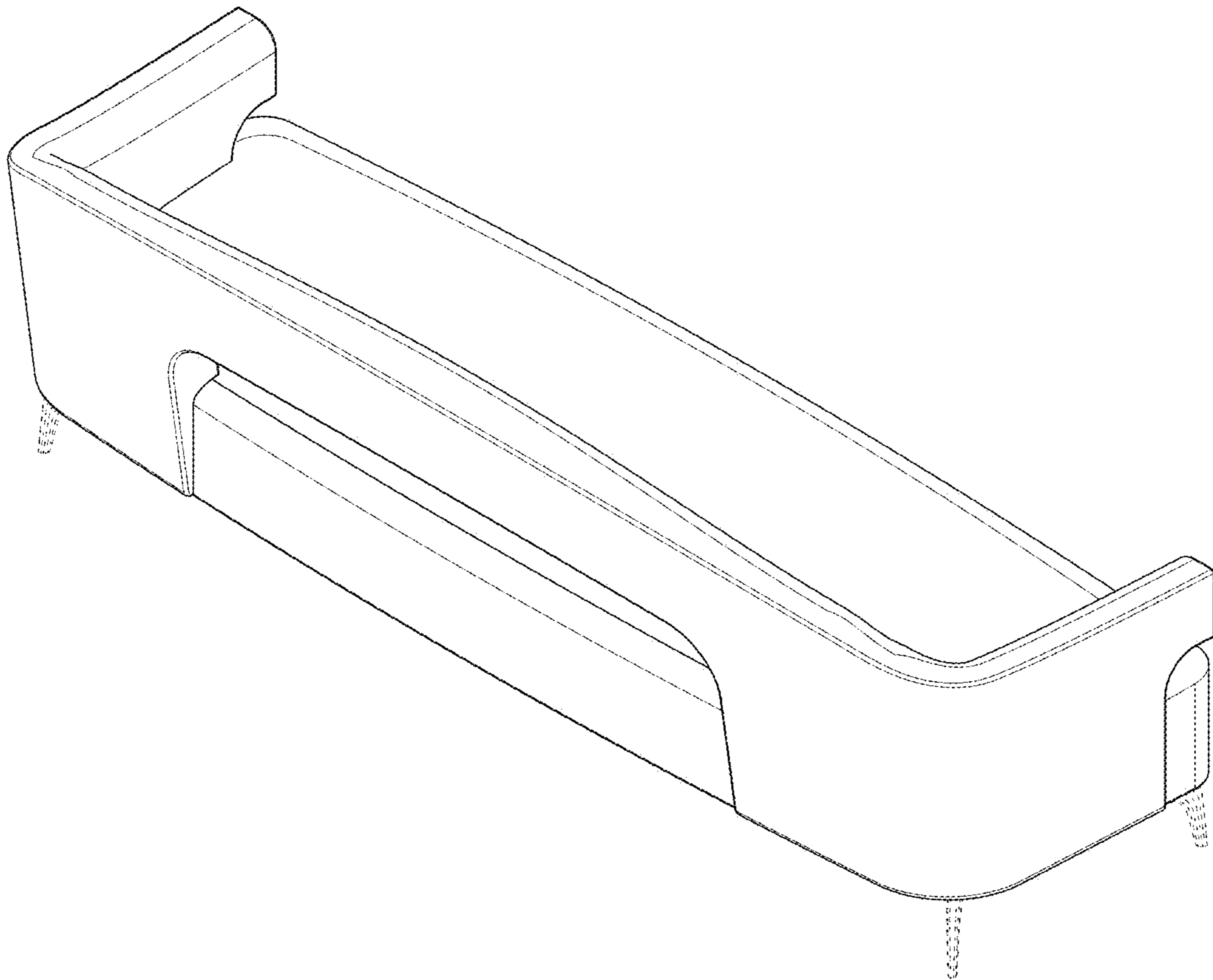


FIG. 2

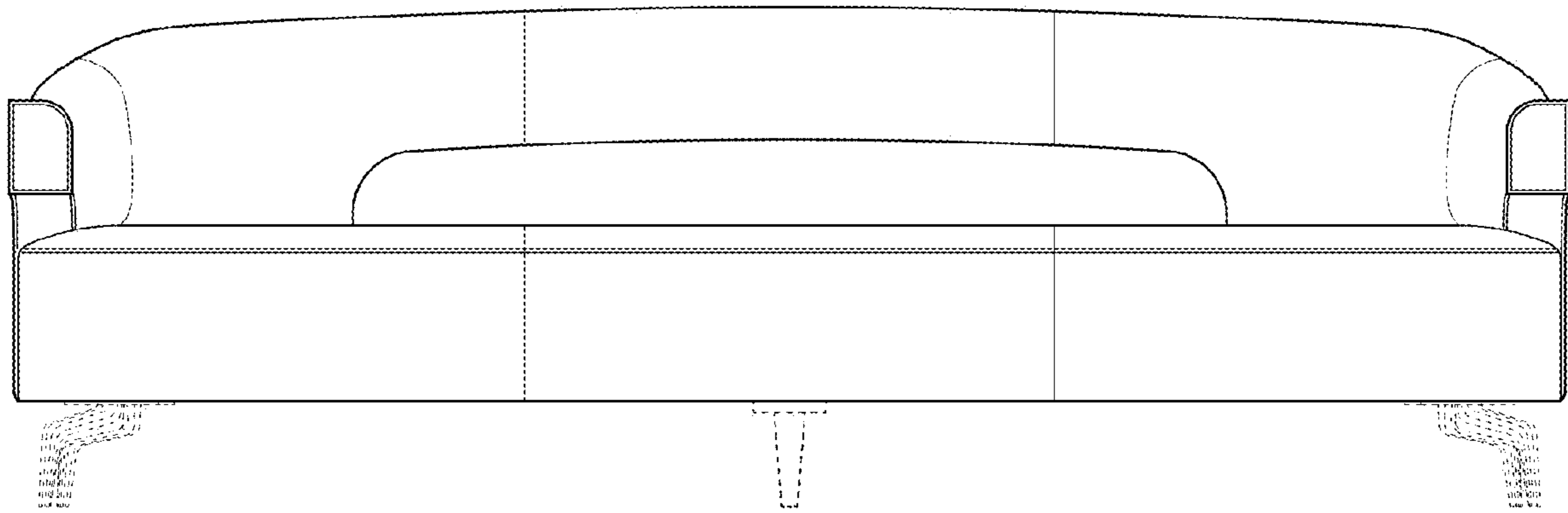


FIG. 3

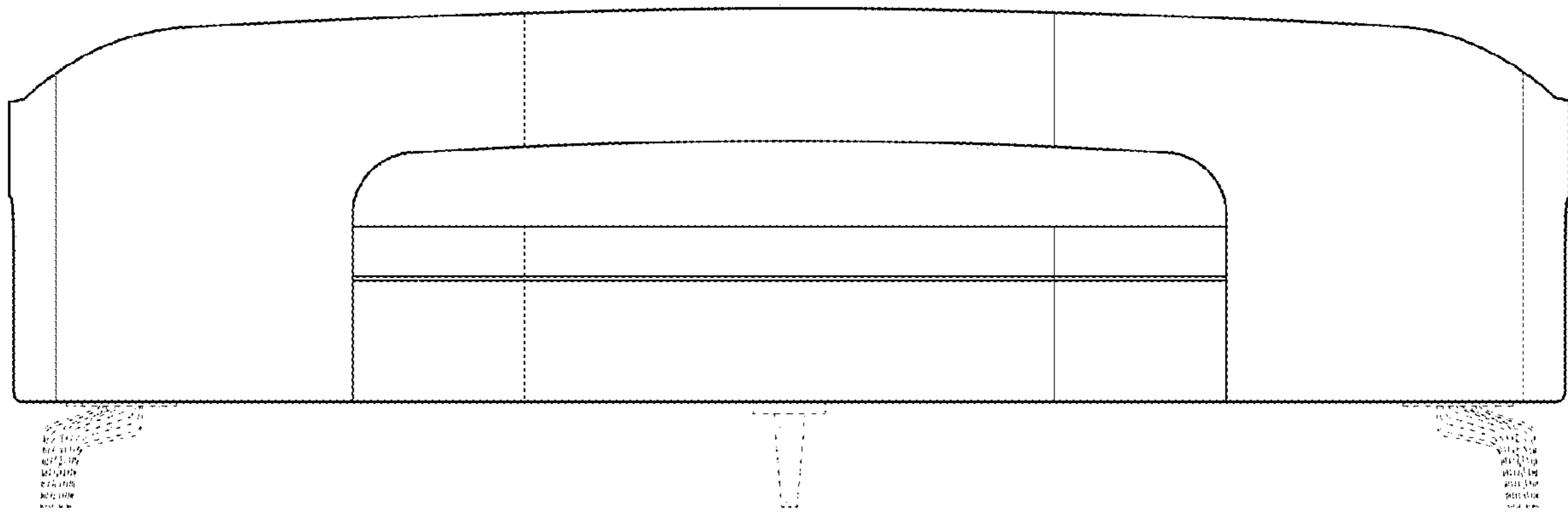


FIG. 4

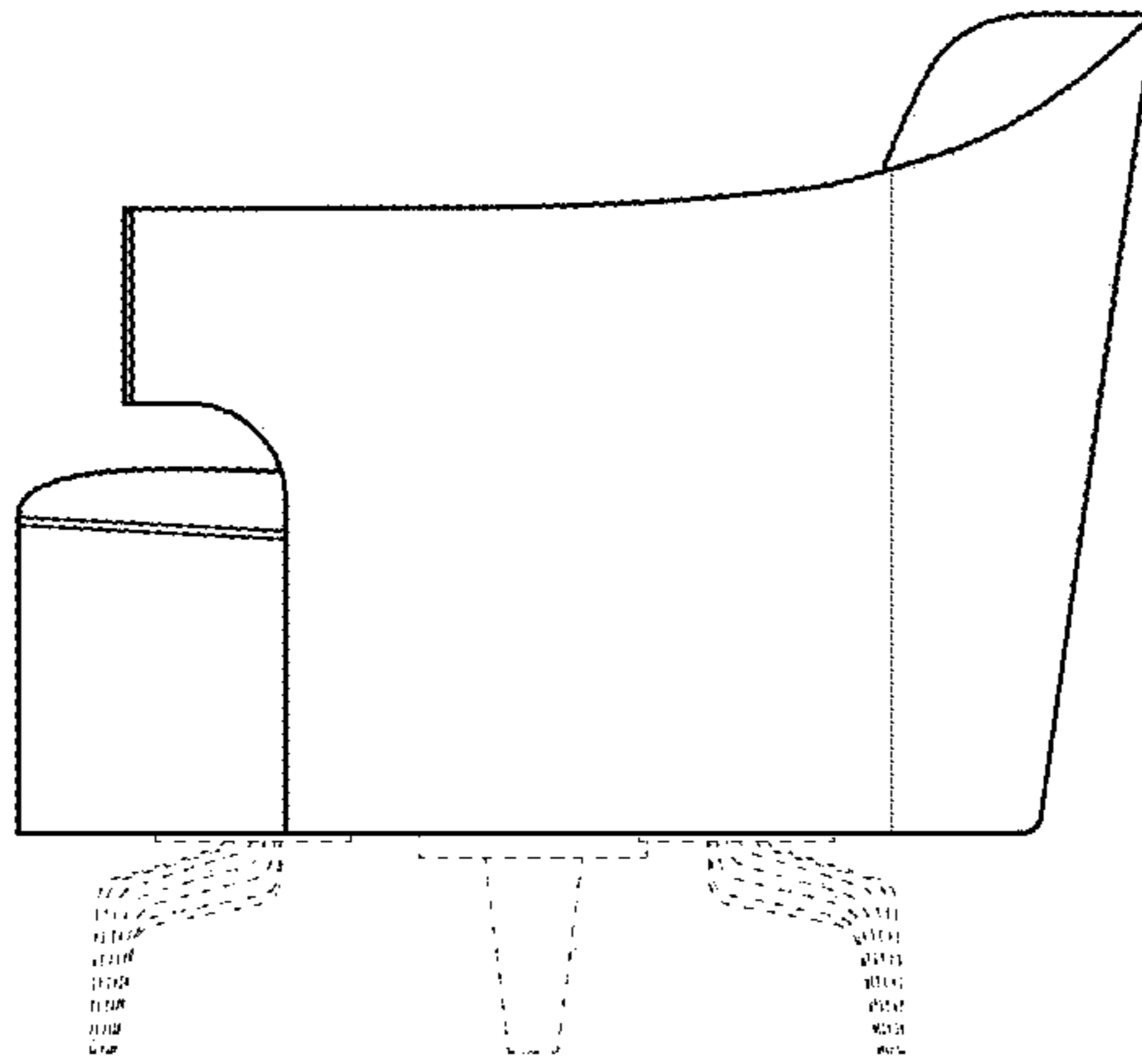


FIG. 5

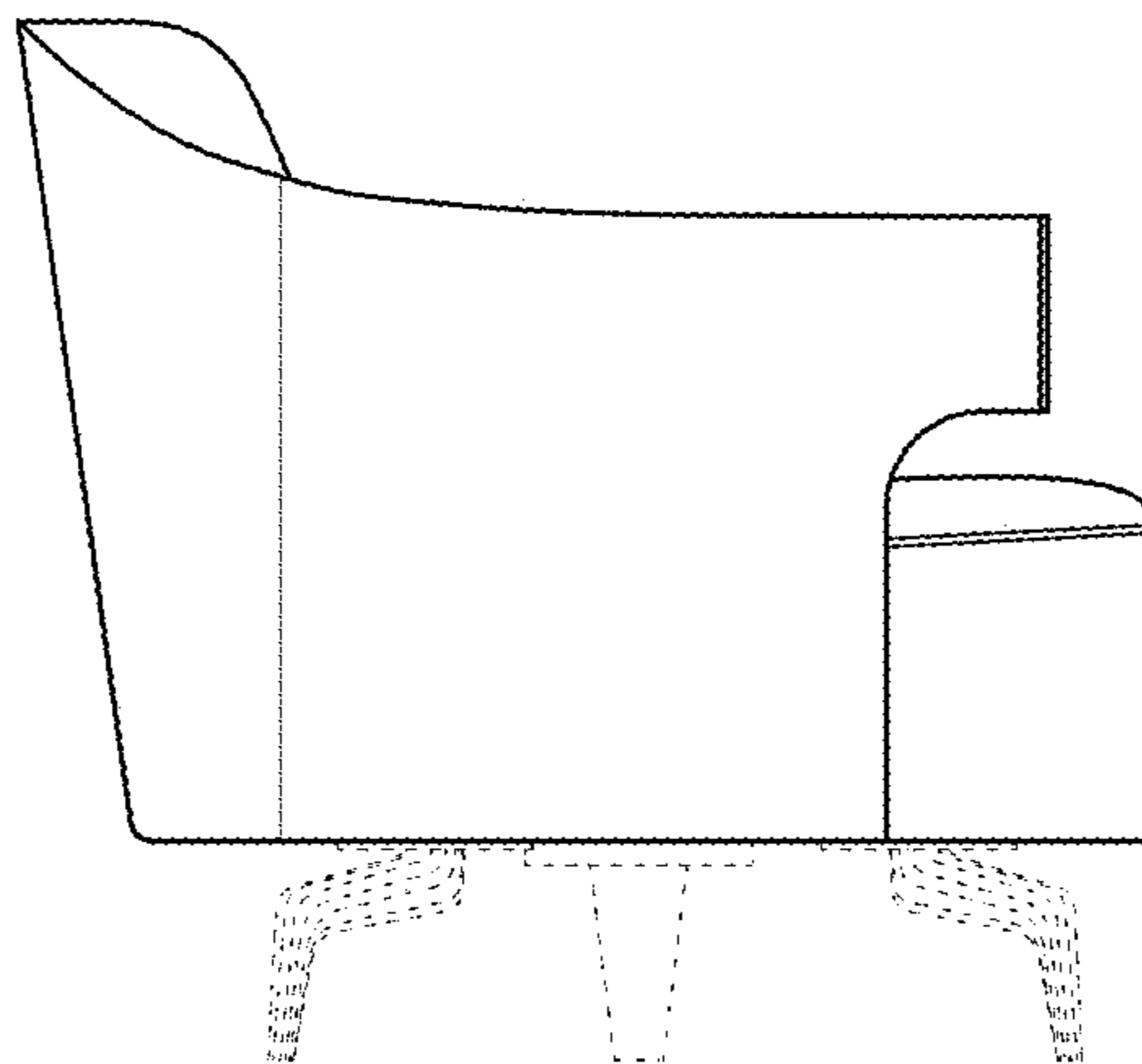


FIG. 6

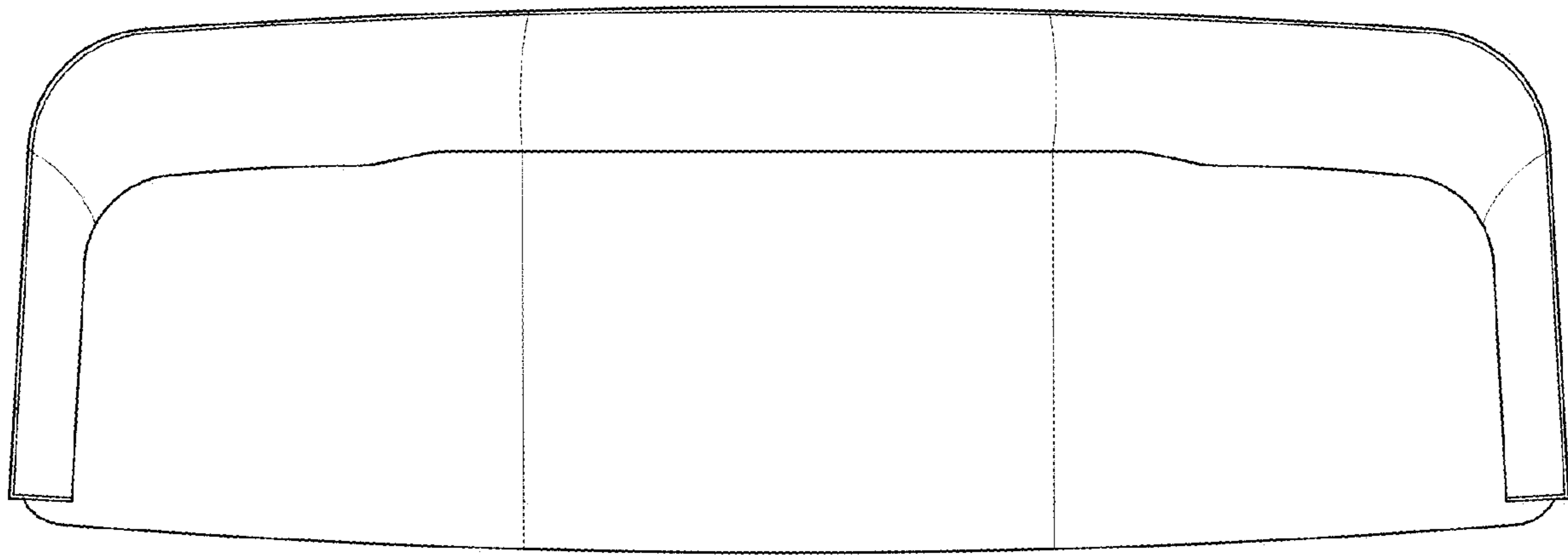


FIG. 7

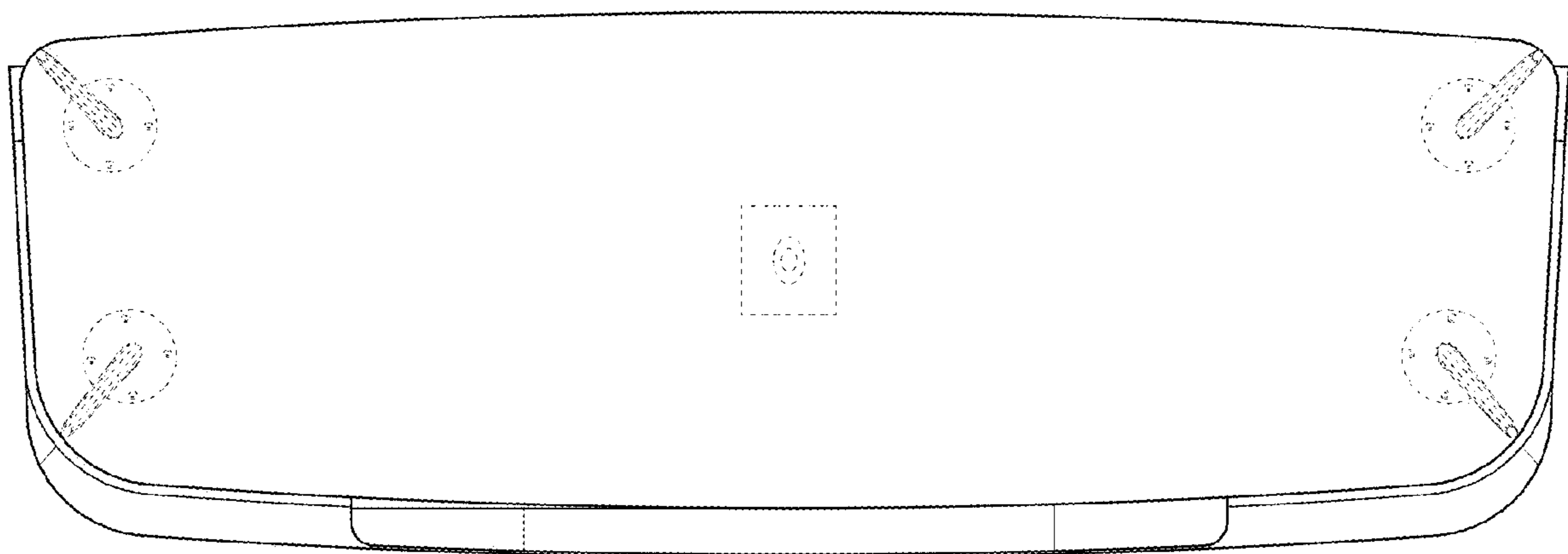


FIG. 8