



US00D893912S

(12) **United States Design Patent** (10) **Patent No.:** **US D893,912 S**  
**Wang** (45) **Date of Patent:** **\*\* Aug. 25, 2020**

(54) **CHAIR**

(71) Applicant: **Bazhou Dongtai Furniture Co., Ltd.**,  
Langfang, Hebei Province (CN)

(72) Inventor: **Yuchao Wang**, Tianjin (CN)

(73) Assignee: **Bazhou Dongtai Furniture Co., Ltd.**,  
Langfang (CN)

(\*\*) Term: **15 Years**

(21) Appl. No.: **29/688,906**

(22) Filed: **Apr. 25, 2019**

(30) **Foreign Application Priority Data**

Mar. 25, 2019 (EM) ..... 006328571

(51) **LOC (12) Cl.** ..... **06-01**

(52) **U.S. Cl.**  
USPC ..... **D6/375**

(58) **Field of Classification Search**

USPC ..... D6/334, 349, 369, 374–376, 379–382,  
D6/711, 708.16, 716, 716.1

CPC .... A47C 3/04; A47C 3/12; A47C 5/04; A47C  
5/12; A47C 5/14; A47C 7/02; A47C 7/16;  
A47C 7/18; A47C 7/24; A47C 11/00;  
A47C 15/002; A47C 17/02

See application file for complete search history.

(56) **References Cited**

U.S. PATENT DOCUMENTS

3,025,105	A *	3/1962	Nash .....	A47C 7/002 297/239
D333,233	S *	2/1993	Oke .....	D6/716
D441,557	S *	5/2001	Glass .....	D6/374
D518,983	S *	4/2006	Chu .....	D6/366
D602,275	S *	10/2009	Petruccelli .....	D6/367
D778,657	S *	2/2017	Morrison .....	D6/373
D799,846	S *	10/2017	Ono .....	D6/375
D824,709	S *	8/2018	Li .....	D6/716
D825,949	S *	8/2018	Bouroullec .....	D6/374
D858,128	S *	9/2019	Li .....	D6/360
D859,868	S *	9/2019	Lievore .....	D6/375
D878,838	S *	3/2020	Urquiola .....	D6/716

\* cited by examiner

*Primary Examiner* — R. Johnson

(74) *Attorney, Agent, or Firm* — Bay State IP, LLC

(57) **CLAIM**

The ornamental design for a chair, as shown and described.

**DESCRIPTION**

FIG. 1 is a perspective front view of the chair showing my new design;

FIG. 2 is a front view thereof;

FIG. 3 is a back view thereof;

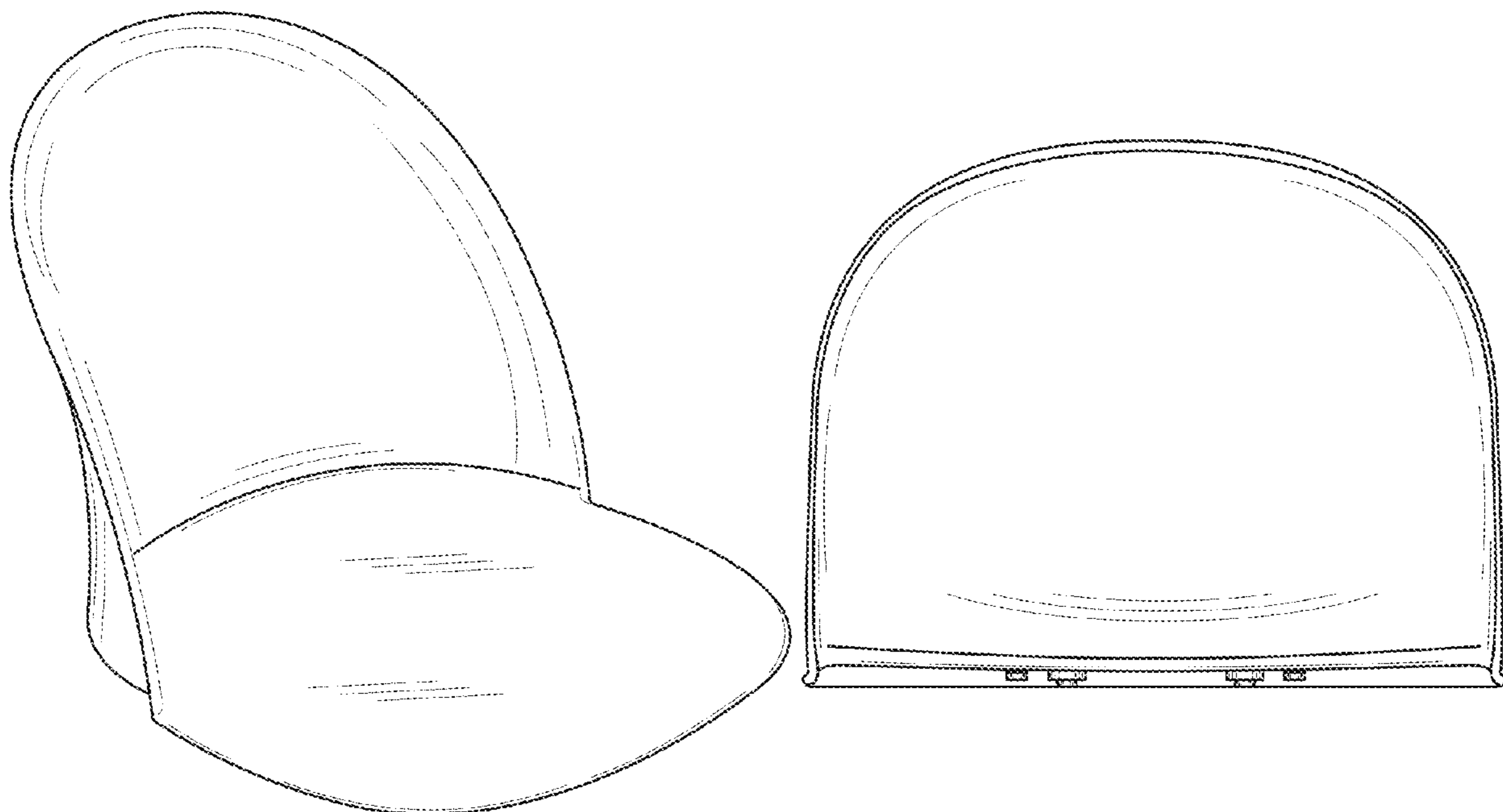
FIG. 4 is a top view thereof;

FIG. 5 is a bottom view thereof;

FIG. 6 is a left side view thereof; and,

FIG. 7 is a right side view thereof.

**1 Claim, 7 Drawing Sheets**



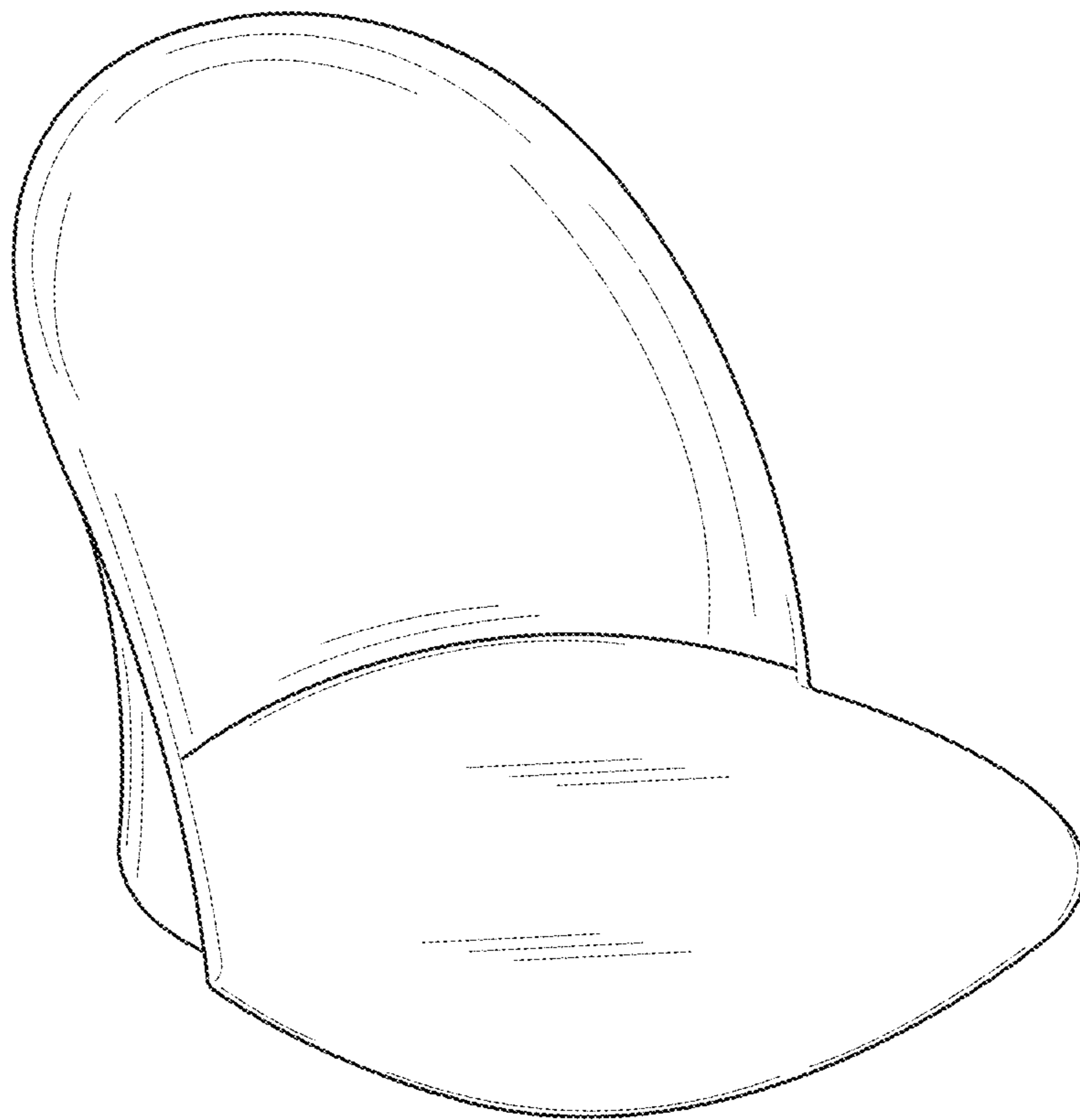


FIG. 1

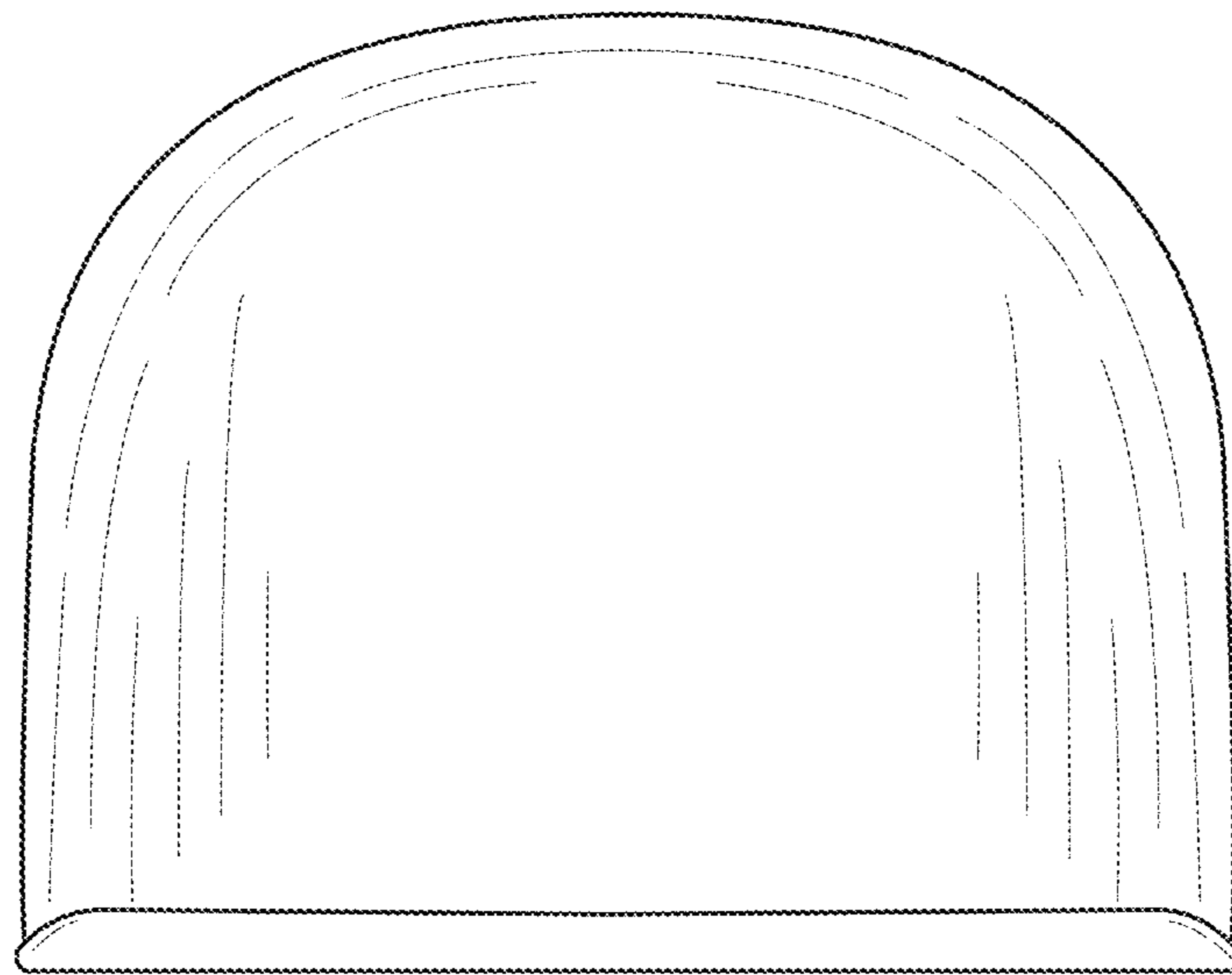


FIG. 2

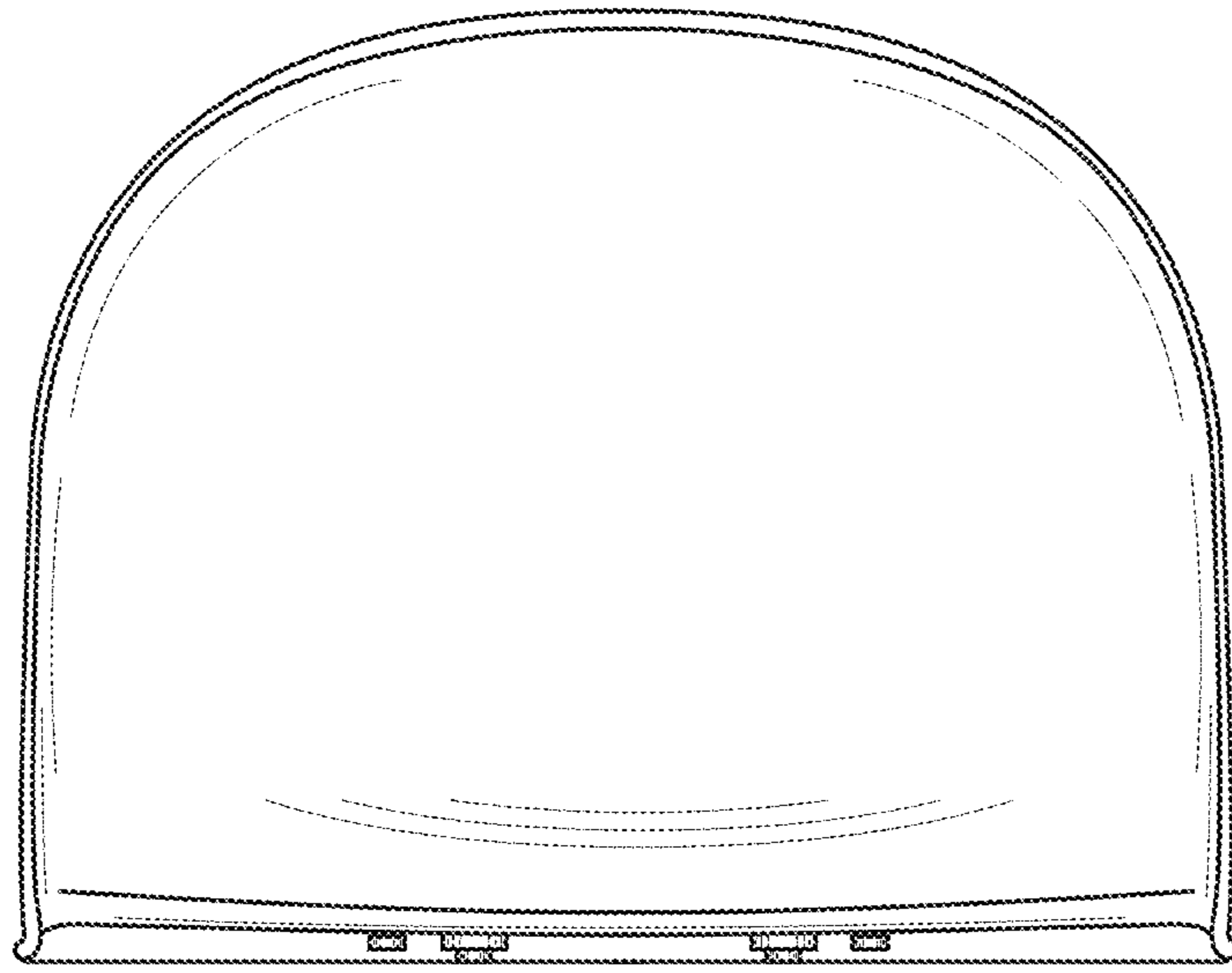


FIG. 3

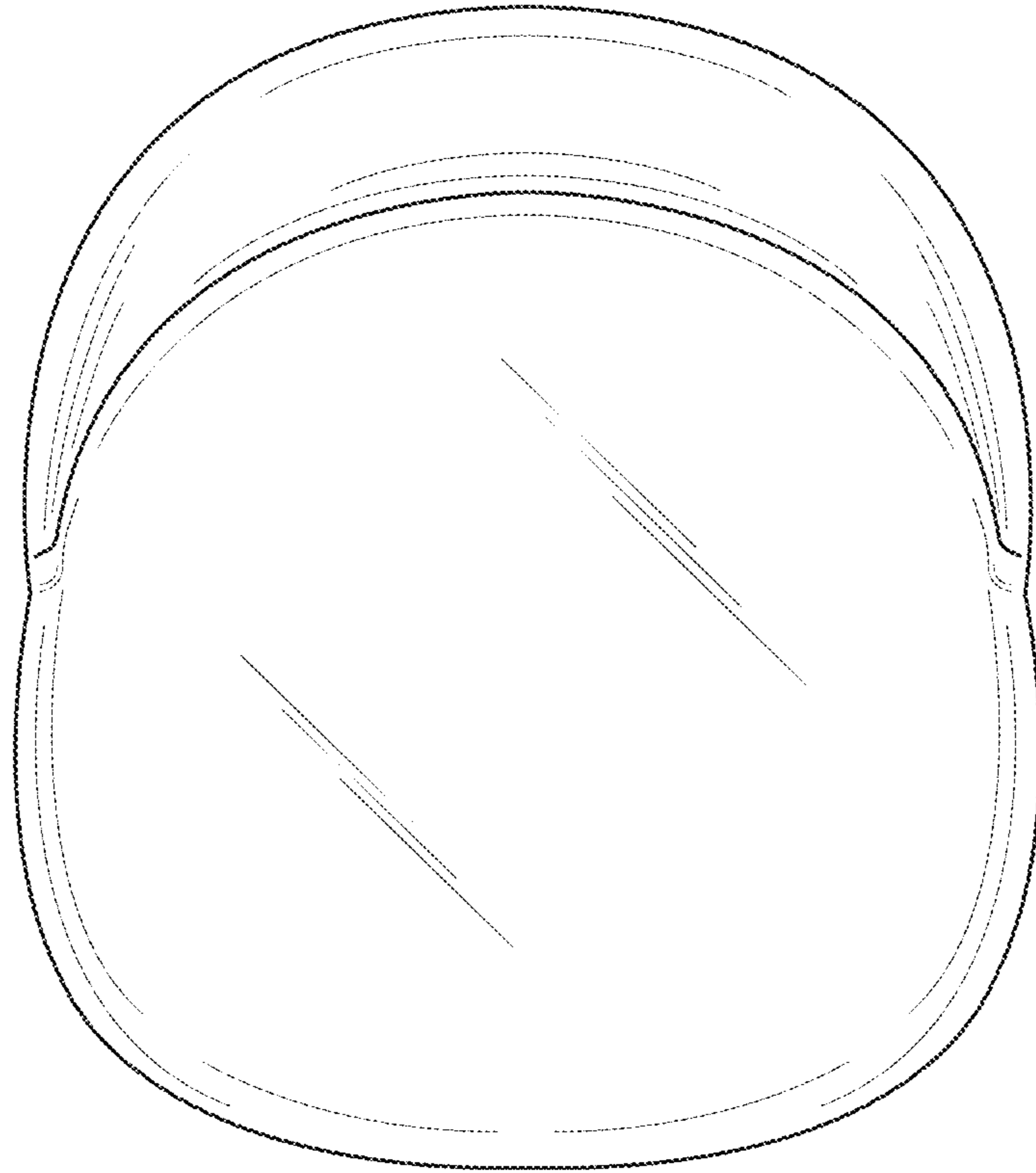


FIG. 4

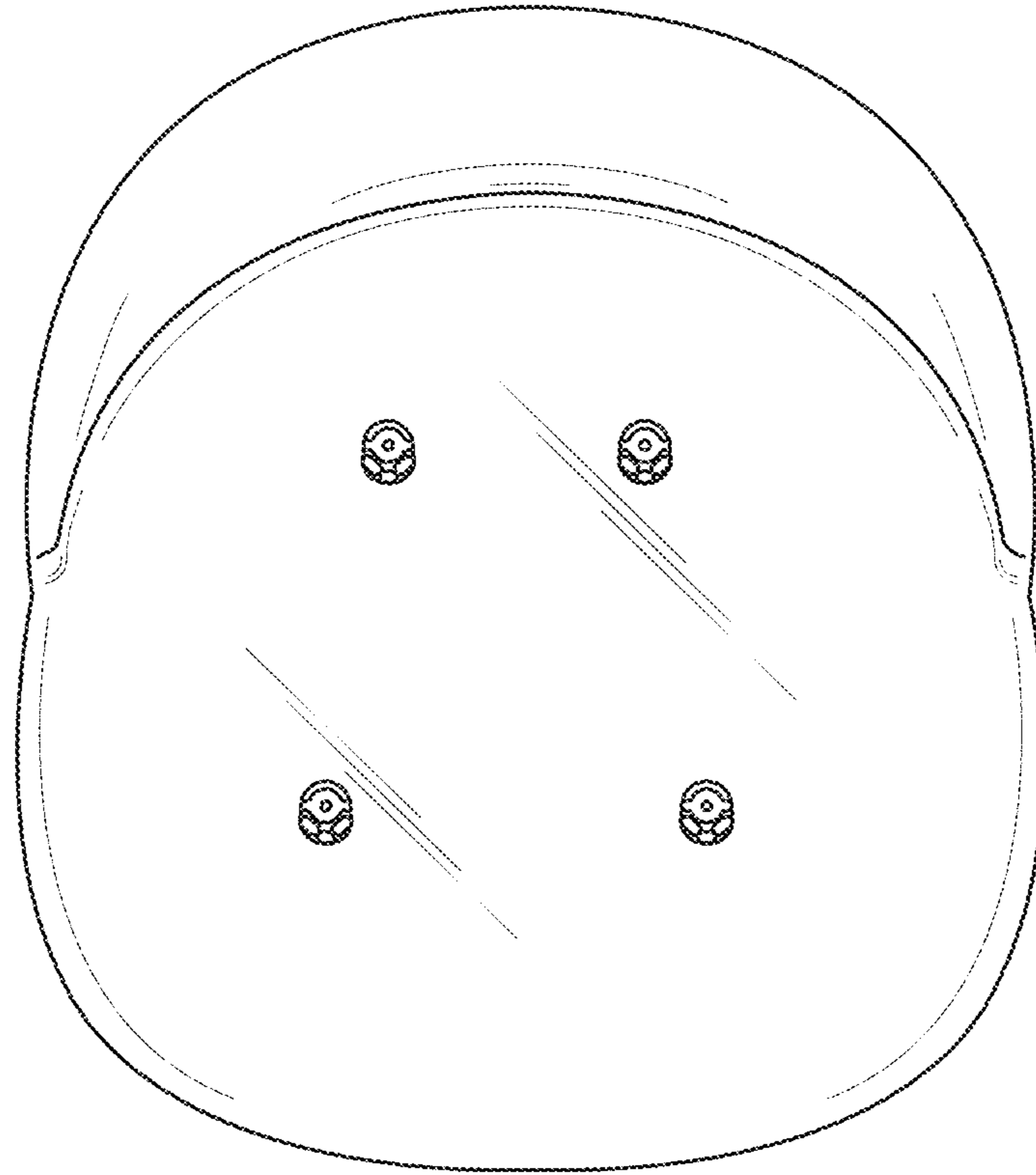


FIG. 5

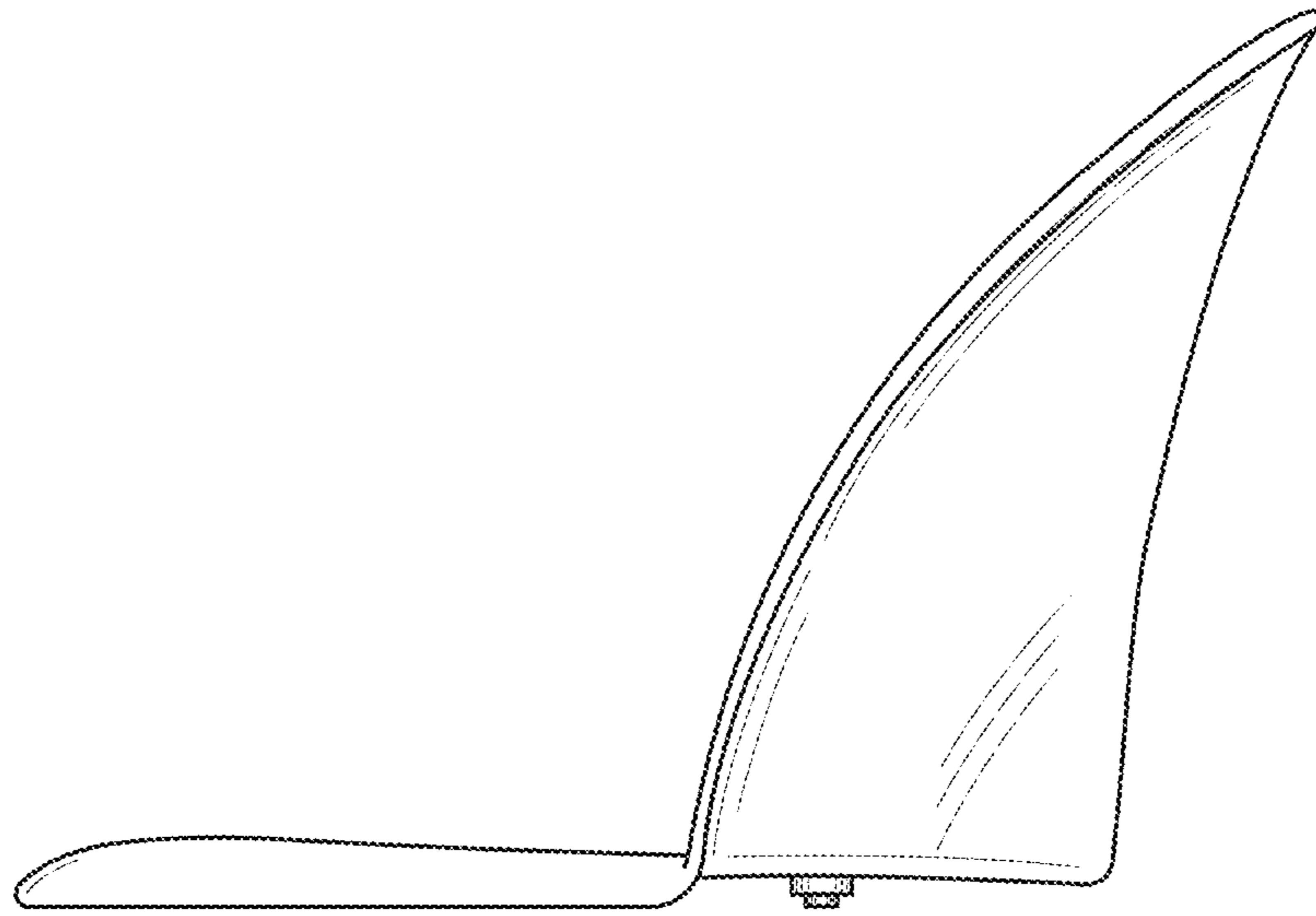


FIG. 6

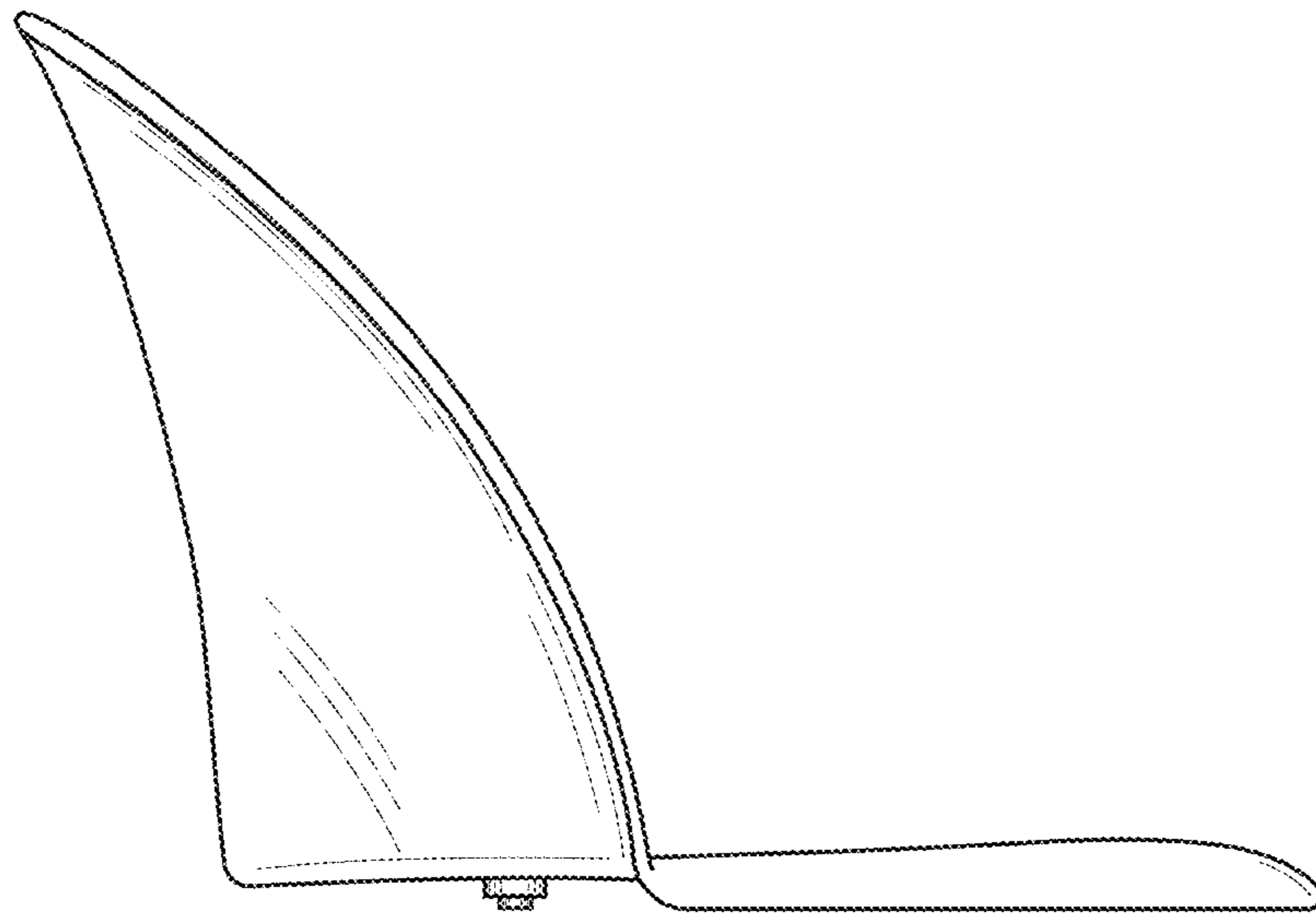


FIG. 7