



US00D893909S

(12) **United States Design Patent**
Zhong

(10) **Patent No.:** **US D893,909 S**

(45) **Date of Patent:** **** Aug. 25, 2020**

(54) **OFFICE CHAIR**

(71) Applicant: **Shenzhen Yueyang Home Furniture Co., Ltd.**, Shenzhen, Guangdong (CN)

(72) Inventor: **Liangxing Zhong**, Guangdong (CN)

(**) Term: **15 Years**

(21) Appl. No.: **29/734,158**

(22) Filed: **May 9, 2020**

(51) **LOC (12) Cl.** **06-01**

(52) **U.S. Cl.**
USPC **D6/366**

(58) **Field of Classification Search**
USPC D6/334-336, 364, 365, 366, 374, 379,
D6/380, 716, 716.1, 716.2, 716.3, 716.4,
D6/716.5
CPC A47C 3/24; A47C 7/004; A47C 7/282;
A47C 7/38; A47C 7/383; A47C 7/40;
A47C 7/46; A47C 7/462; A47C 7/24;
A47C 7/54

See application file for complete search history.

(56) **References Cited**

U.S. PATENT DOCUMENTS

D436,456 S *	1/2001	Neil	D6/366
D465,113 S *	11/2002	Chen	D6/716.3
D468,123 S *	1/2003	Zaidman	D6/366
D541,062 S *	4/2007	Su	D6/366
D548,474 S *	8/2007	Fancelli	D6/366
D559,572 S *	1/2008	Igarashi	D6/366
D680,345 S *	4/2013	Xingchang	D6/366
D755,532 S *	5/2016	Su	D6/366
D763,587 S *	8/2016	Neil	D6/366
D792,717 S *	7/2017	Webb	D6/366

D801,741 S *	11/2017	Zhu	D6/716
D863,802 S	10/2019	Wang		
D878,788 S *	3/2020	Wang	D6/366
D888,450 S *	6/2020	Zhou	D6/366

* cited by examiner

Primary Examiner — Mimoso De

(74) *Attorney, Agent, or Firm* — ZanIP

(57) **CLAIM**

The ornamental design for an office chair, as shown and described.

DESCRIPTION

FIG. 1 is a front and top perspective view of an office chair, showing my new design;
 FIG. 2 is a rear and bottom perspective view thereof;
 FIG. 3 is a front elevational view thereof;
 FIG. 4 is a rear elevational view thereof;
 FIG. 5 is a left side elevational view thereof;
 FIG. 6 is a right side elevational view thereof;
 FIG. 7 is a top plan view thereof;
 FIG. 8 is a bottom plan view thereof;
 FIG. 9 is an enlarged view of a portion indicated with numeric 9 in FIG. 1;
 FIG. 10 is an enlarged view of a portion indicated with numeric 10 in FIG. 1; and,
 FIG. 11 is an enlarged view of a portion indicated with numeric 11 in FIG. 3.

The broken lines in the figures illustrate portions of the article that form no part of the claimed design. The dash dot dash lines in FIGS. 1, 3, 9, 10 and 11 are for the purpose of depicting the cut line of the enlarged view and form no part of the claim.

1 Claim, 11 Drawing Sheets

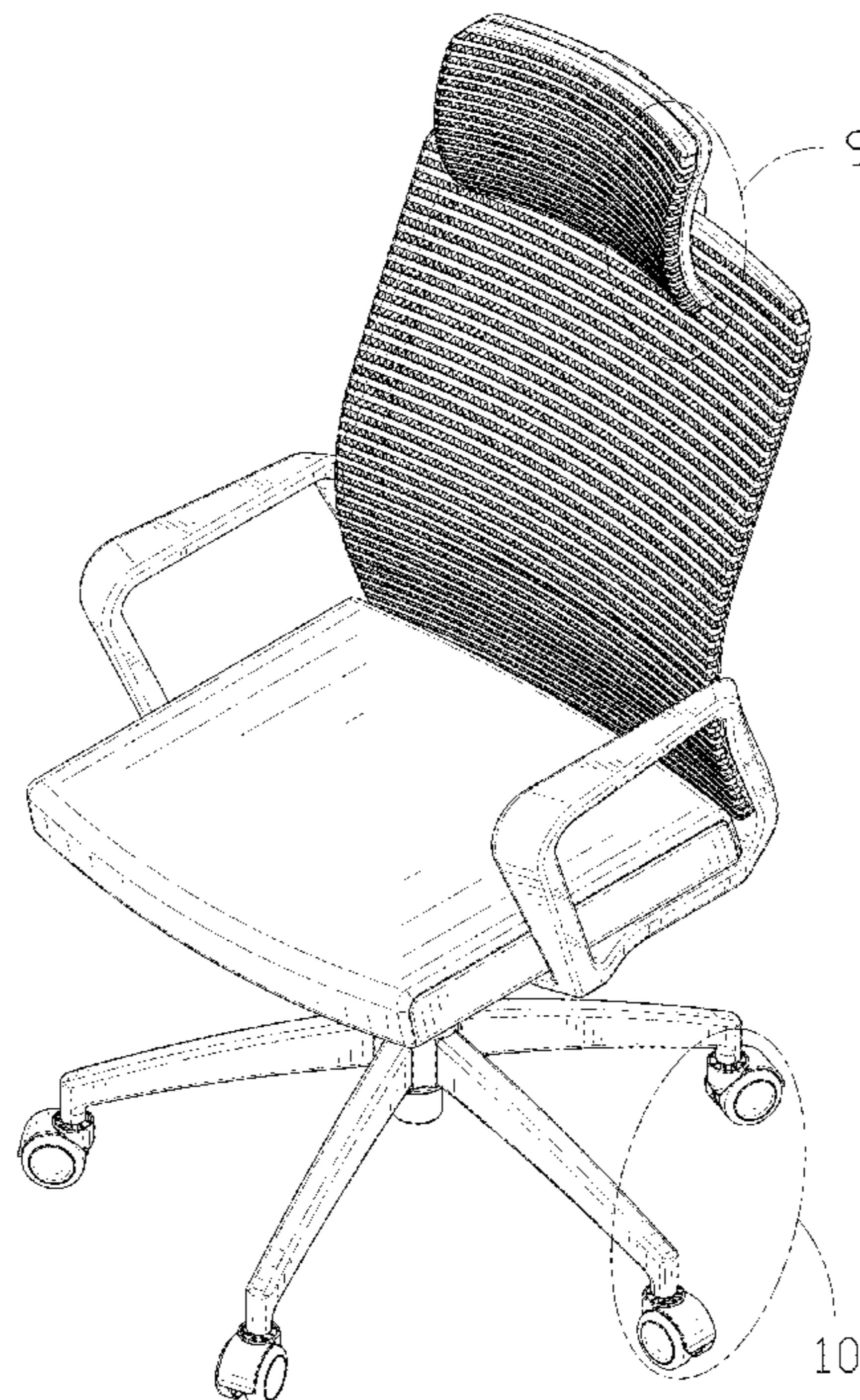




FIG. 1

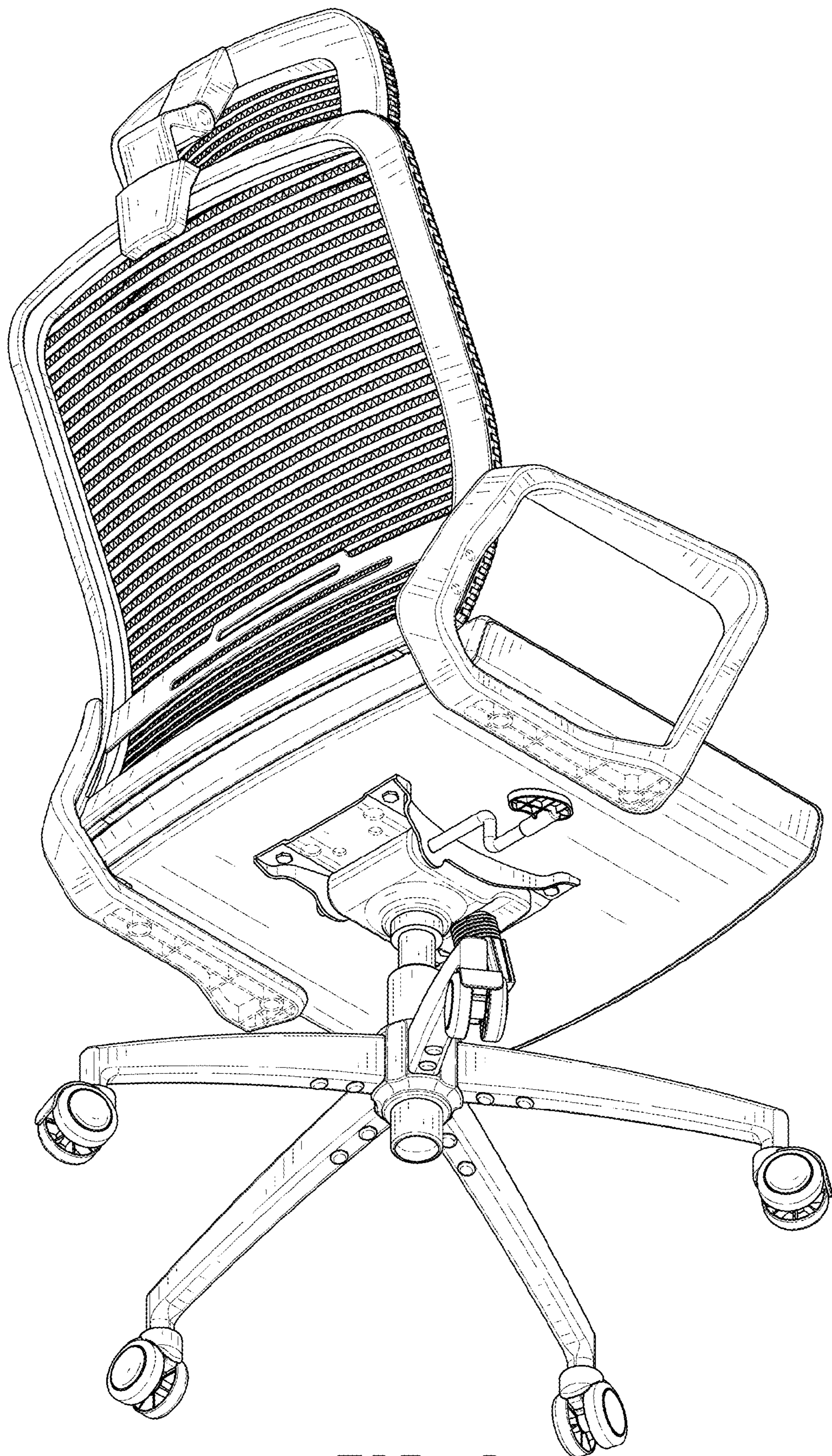


FIG. 2

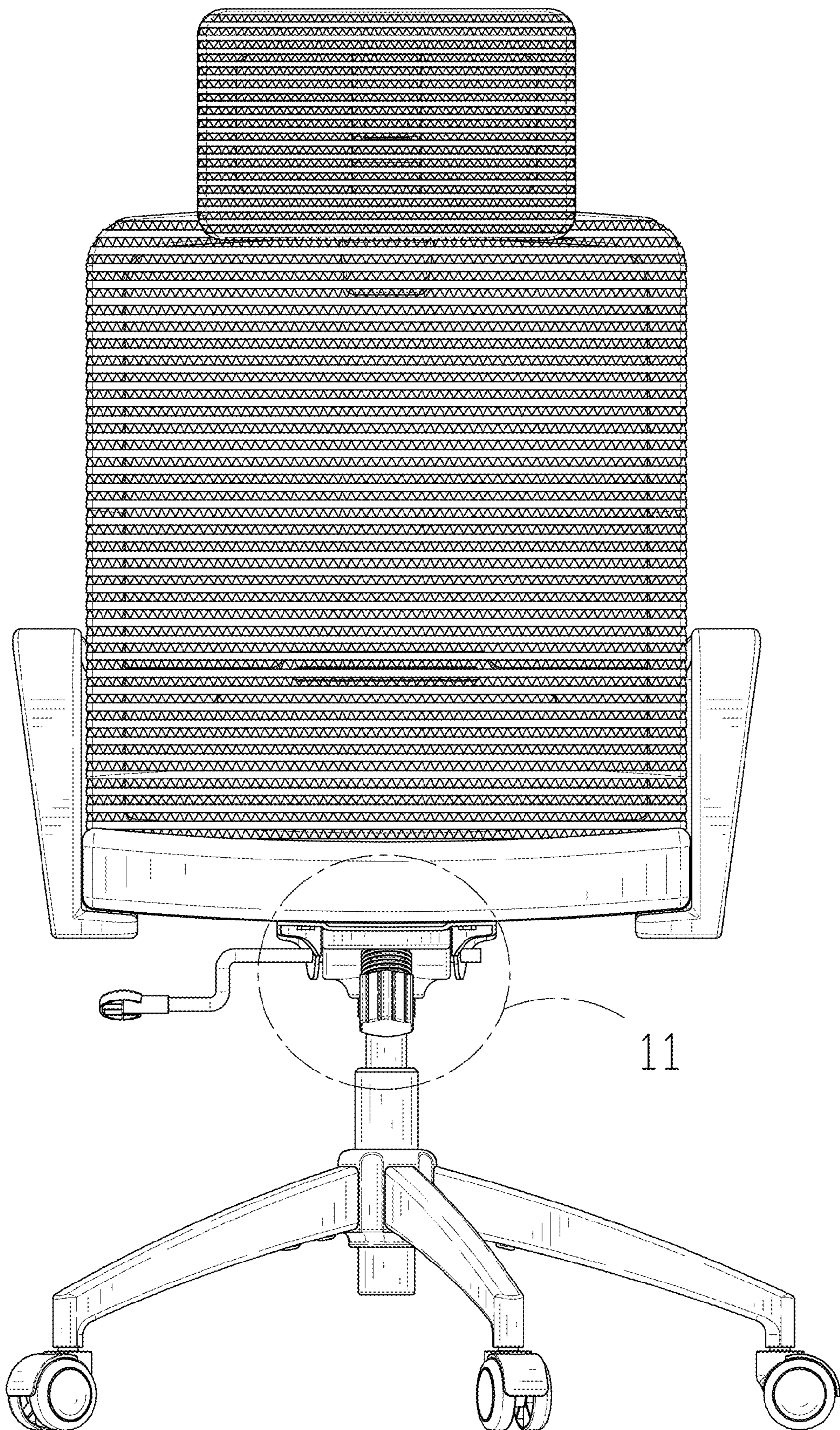


FIG. 3

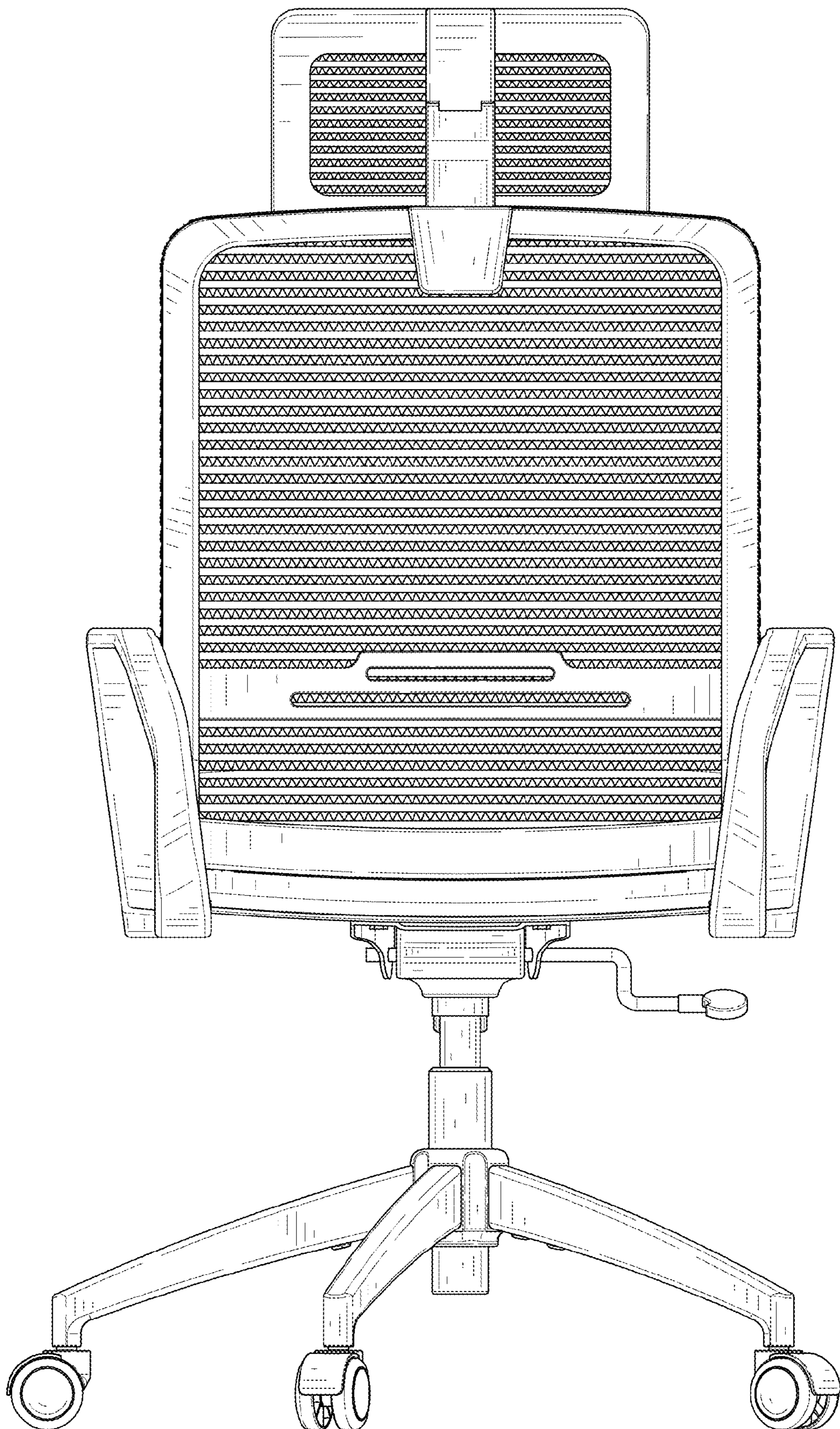


FIG. 4

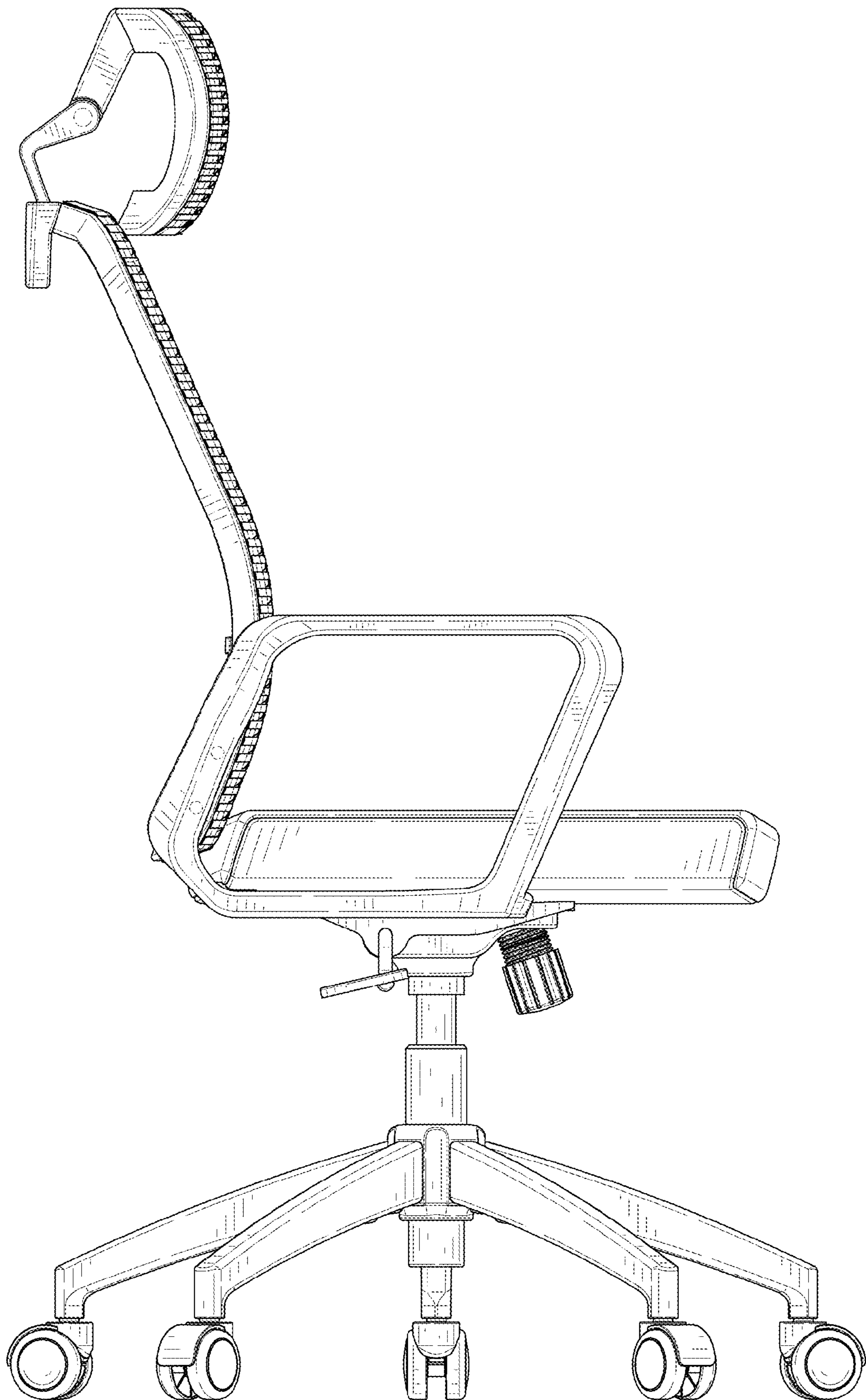


FIG. 5

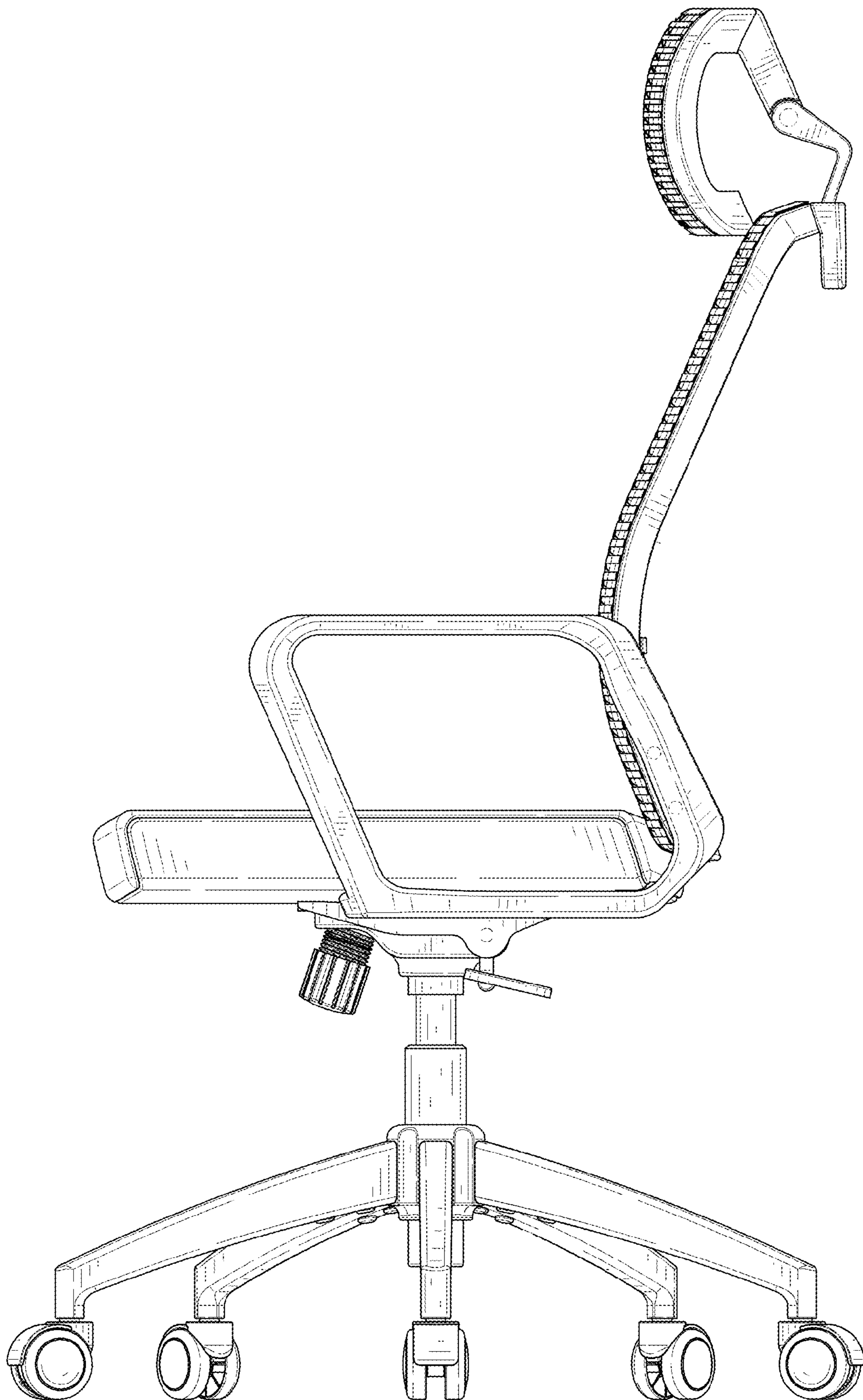


FIG. 6

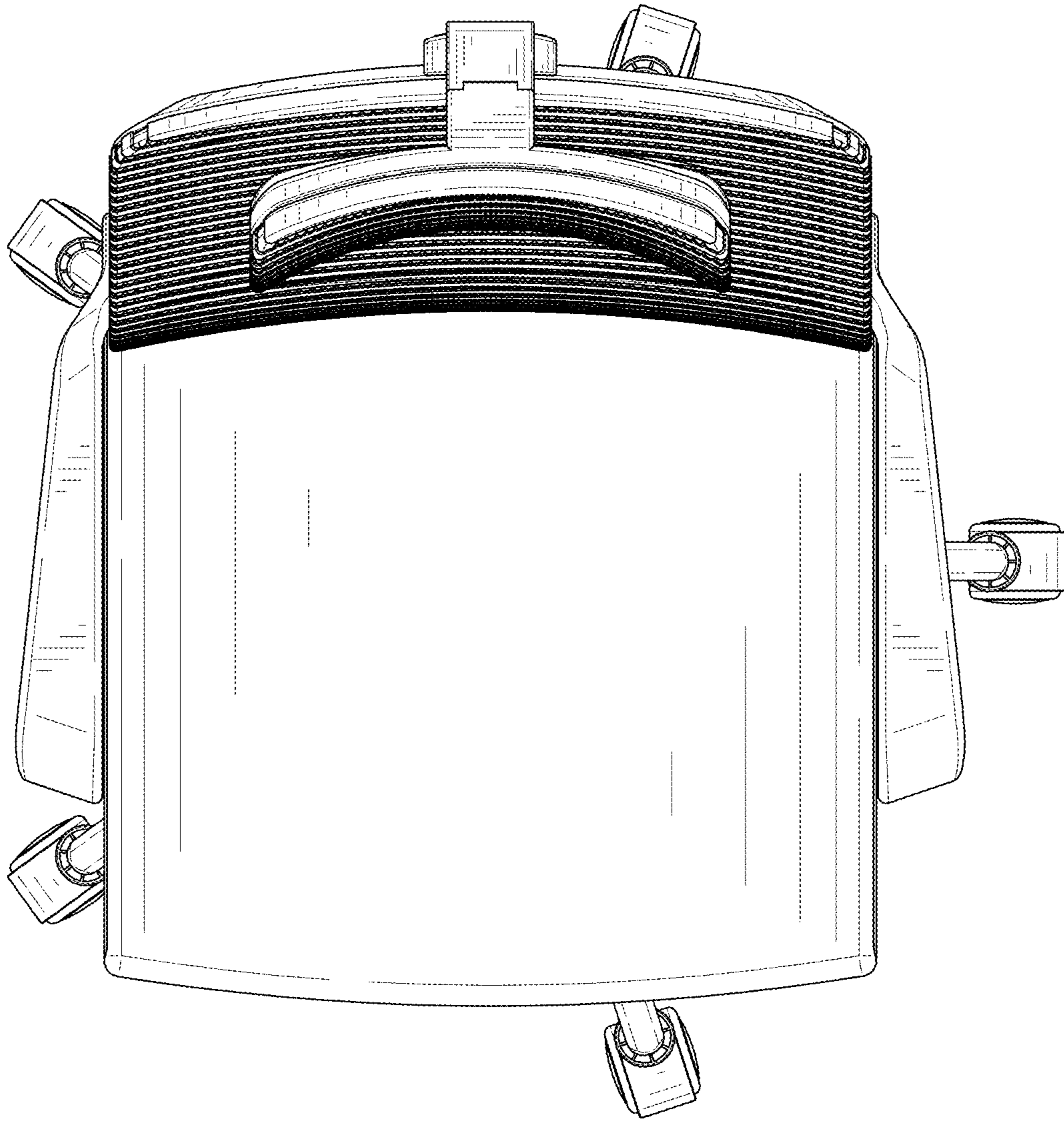


FIG. 7

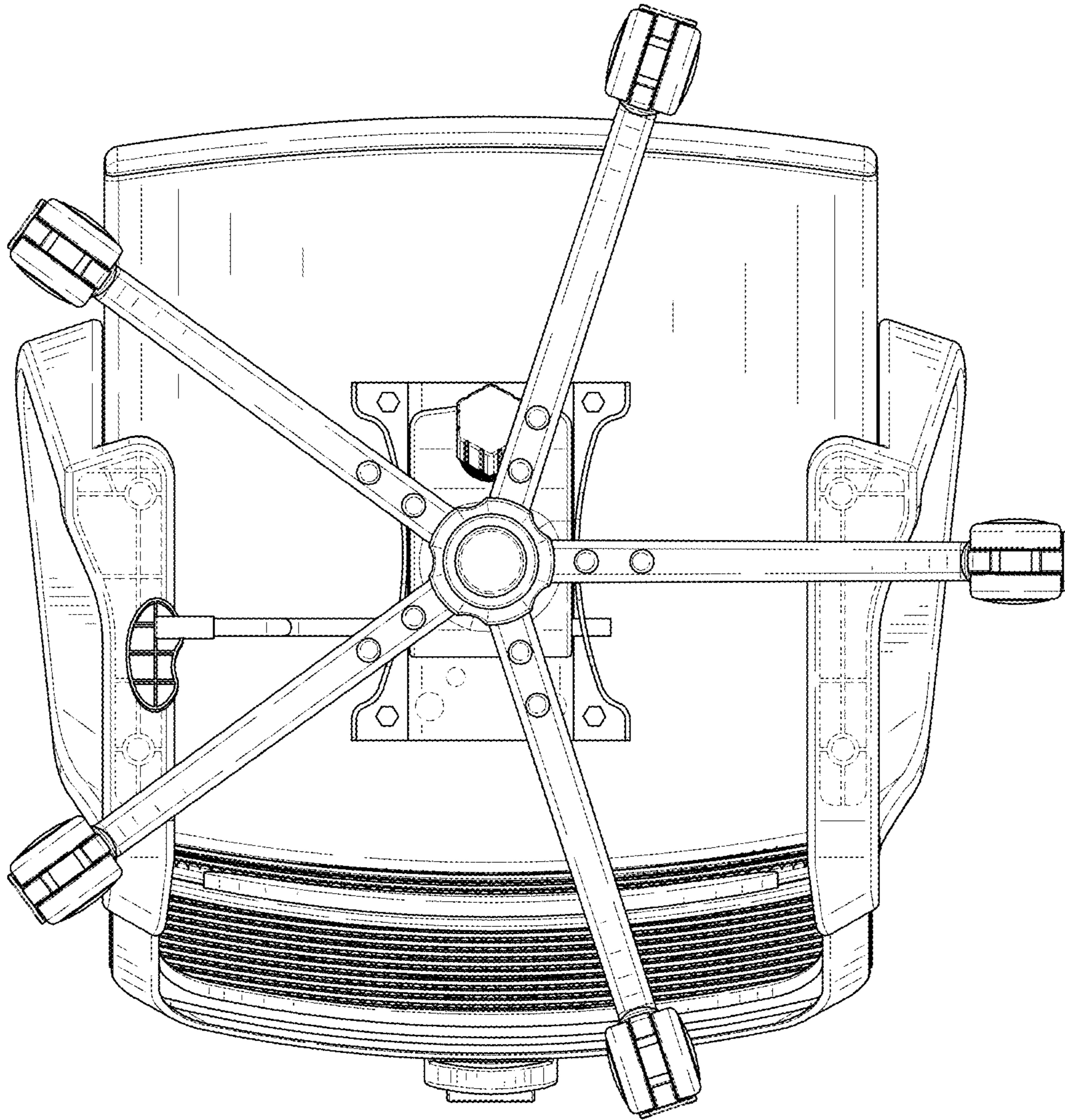


FIG. 8

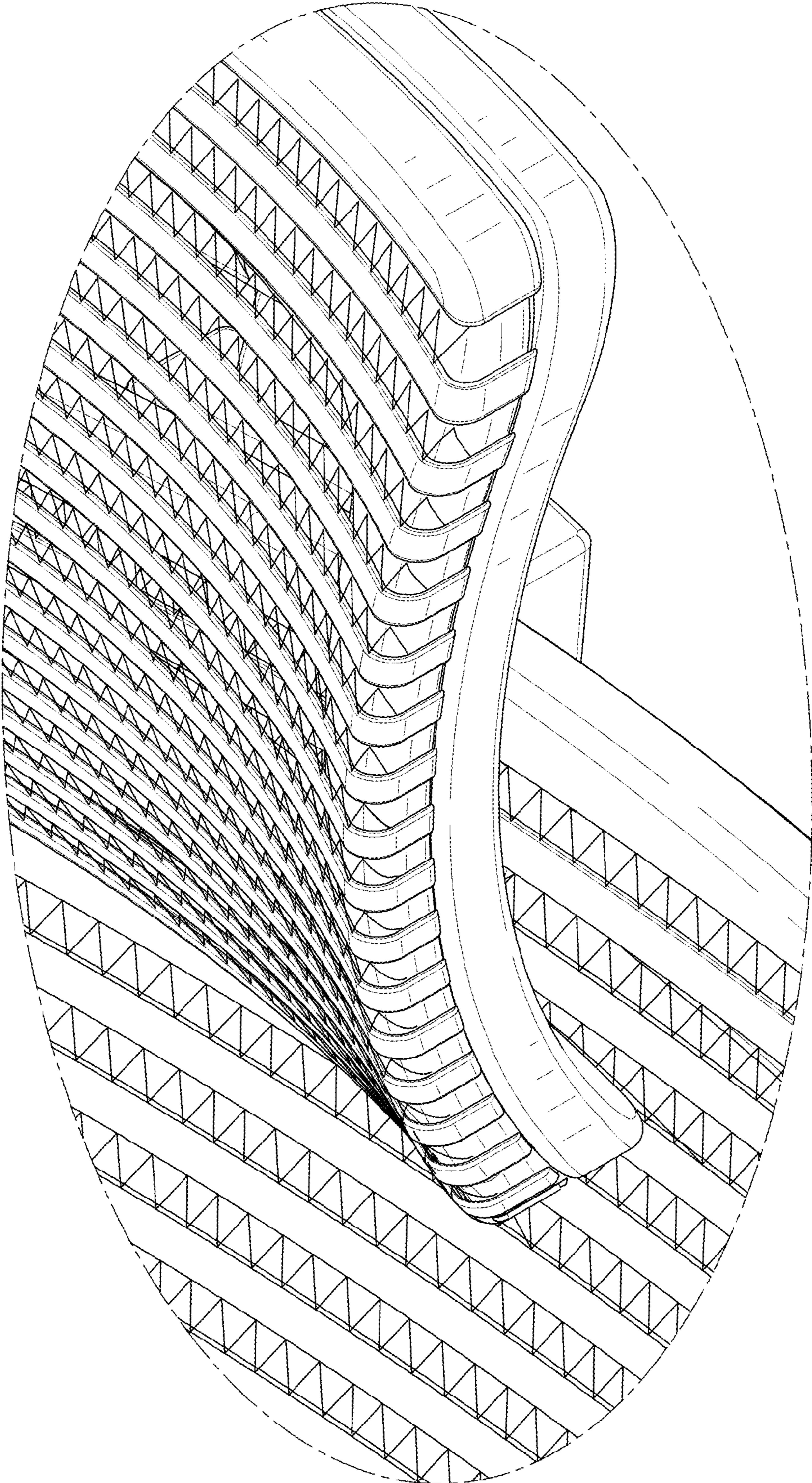


FIG. 9

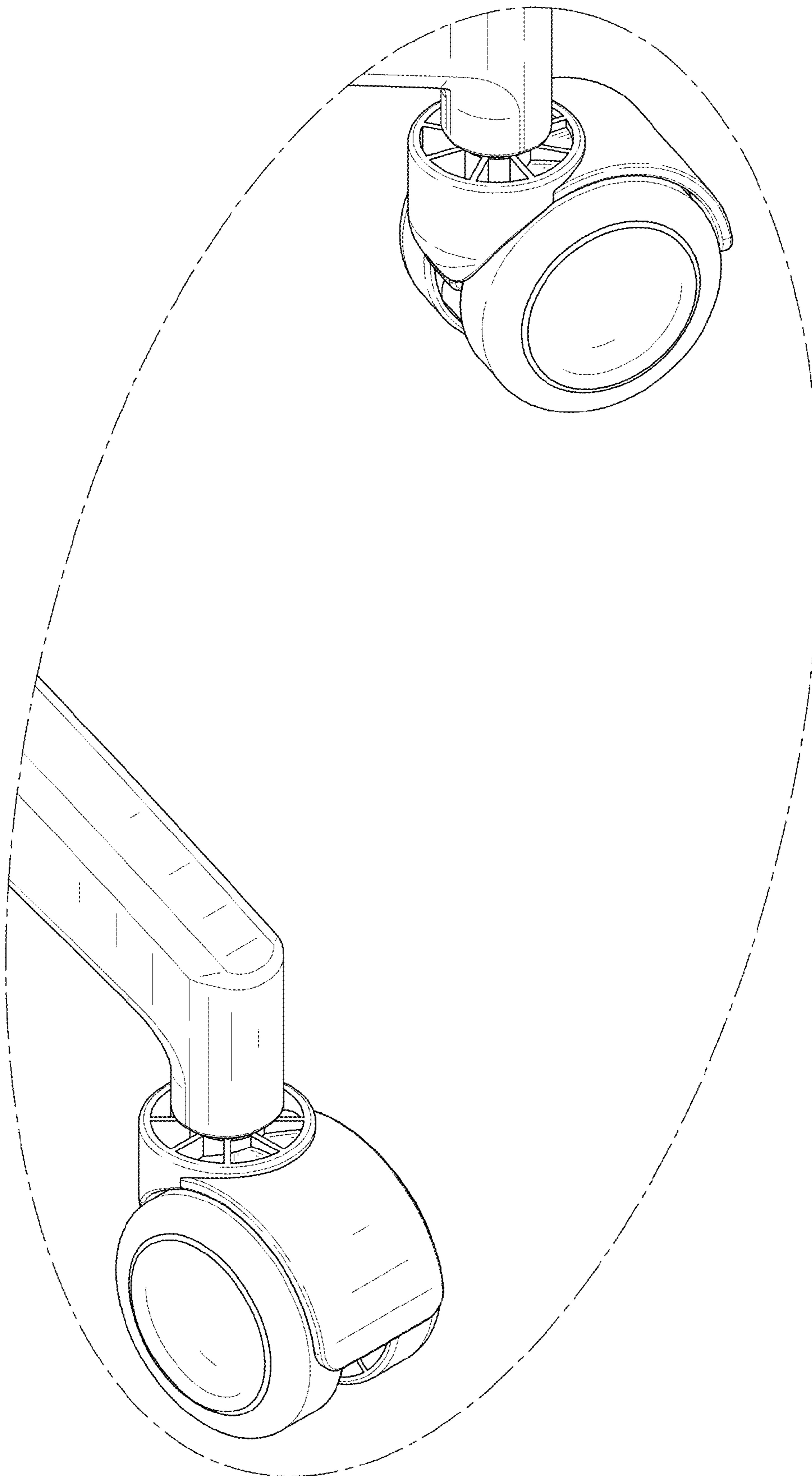


FIG. 10

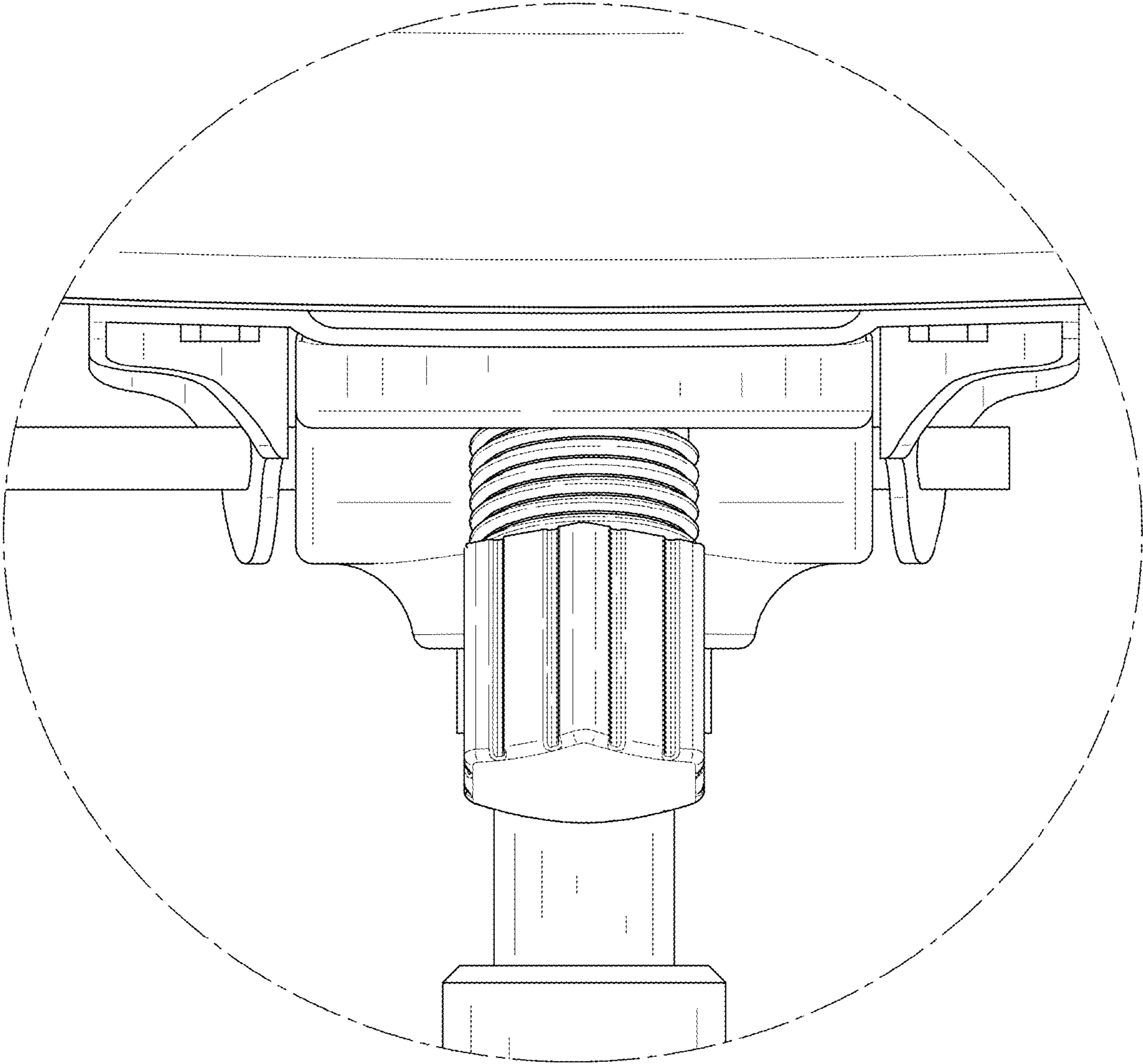


FIG. 11