



US00D893905S

(12) **United States Design Patent**
Bellissimo

(10) **Patent No.:** **US D893,905 S**

(45) **Date of Patent:** **** Aug. 25, 2020**

(54) **MOUNTABLE SEAT**

(71) Applicant: **4Topps LLC**, Winston-Salem, NC (US)

(72) Inventor: **Joseph Bellissimo**, Winston-Salem, NC (US)

(73) Assignee: **4Topps LLC**, Winston-Salem, NC (US)

(**) Term: **15 Years**

(21) Appl. No.: **29/695,586**

(22) Filed: **Jun. 20, 2019**

(51) **LOC (12) Cl.** **06-01**

(52) **U.S. Cl.**
USPC **D6/362**

(58) **Field of Classification Search**
USPC D6/334, 349, 360, 362, 374-377, 379,
D6/381, 716, 716.1, 719.3
CPC .. A47C 1/00; A47C 1/02; A47C 1/024; A47C
1/028; A47C 1/037; A47C 3/00; A47C
3/04; A47C 3/14; A47C 3/20; A47C
7/002; A47C 7/16; A47C 7/18; A47C
4/04; A47C 4/08; A47C 4/18; A47C 4/28;
A47C 4/54; A47C 11/00; A47C 9/007;
A47C 13/00; A47C 15/002; A47C 17/02;
A47C 31/11

See application file for complete search history.

(56) **References Cited**

U.S. PATENT DOCUMENTS

5,074,619 A * 12/1991 D'Orsi A47C 3/04
108/11
D434,253 S * 11/2000 Turner D6/716.1

D434,254 S * 11/2000 Turner D6/716.1
D516,346 S * 3/2006 Cobb D6/601
D573,378 S * 7/2008 Petruccelli D6/364
D634,951 S * 3/2011 Dreiling D6/362
D813,563 S * 3/2018 Morrison D6/374
D857,416 S * 8/2019 Tran D6/380
D863,805 S * 10/2019 Jones D6/374
D885,815 S * 6/2020 Sardo D6/716
2001/0033100 A1* 10/2001 Haney A47C 4/20
297/55
2017/0164746 A1* 6/2017 Phillips A47C 7/029

* cited by examiner

Primary Examiner — R. Johnson

(74) *Attorney, Agent, or Firm* — Joseph T. Guy; Kirk A. Wilson; Patent Filing Specialist, Inc.

(57) **CLAIM**

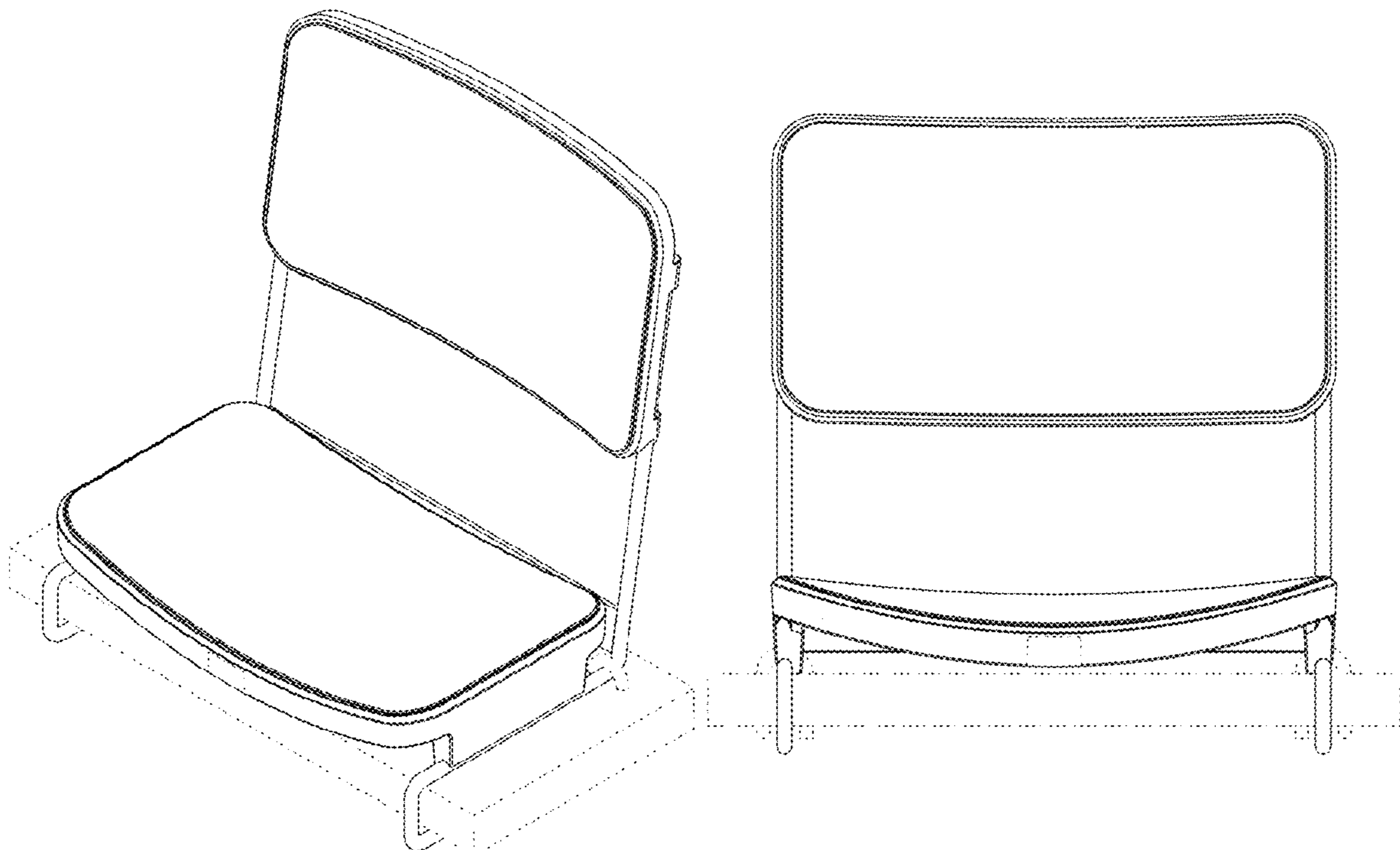
The ornamental design for a mountable seat, as shown and described.

DESCRIPTION

FIG. 1 is a top front perspective view the present invention; FIG. 2 is a front view of the present invention; FIG. 3 is a back side view of the present invention; FIG. 4 is a left side view of the present invention; FIG. 5 is a right side view of the present invention; FIG. 6 is a top view of the present invention; and, FIG. 7 is a bottom view of the invention.

The broken lines, where present, illustrate portions of the mountable mesh seat that form no part of the claimed invention.

1 Claim, 7 Drawing Sheets



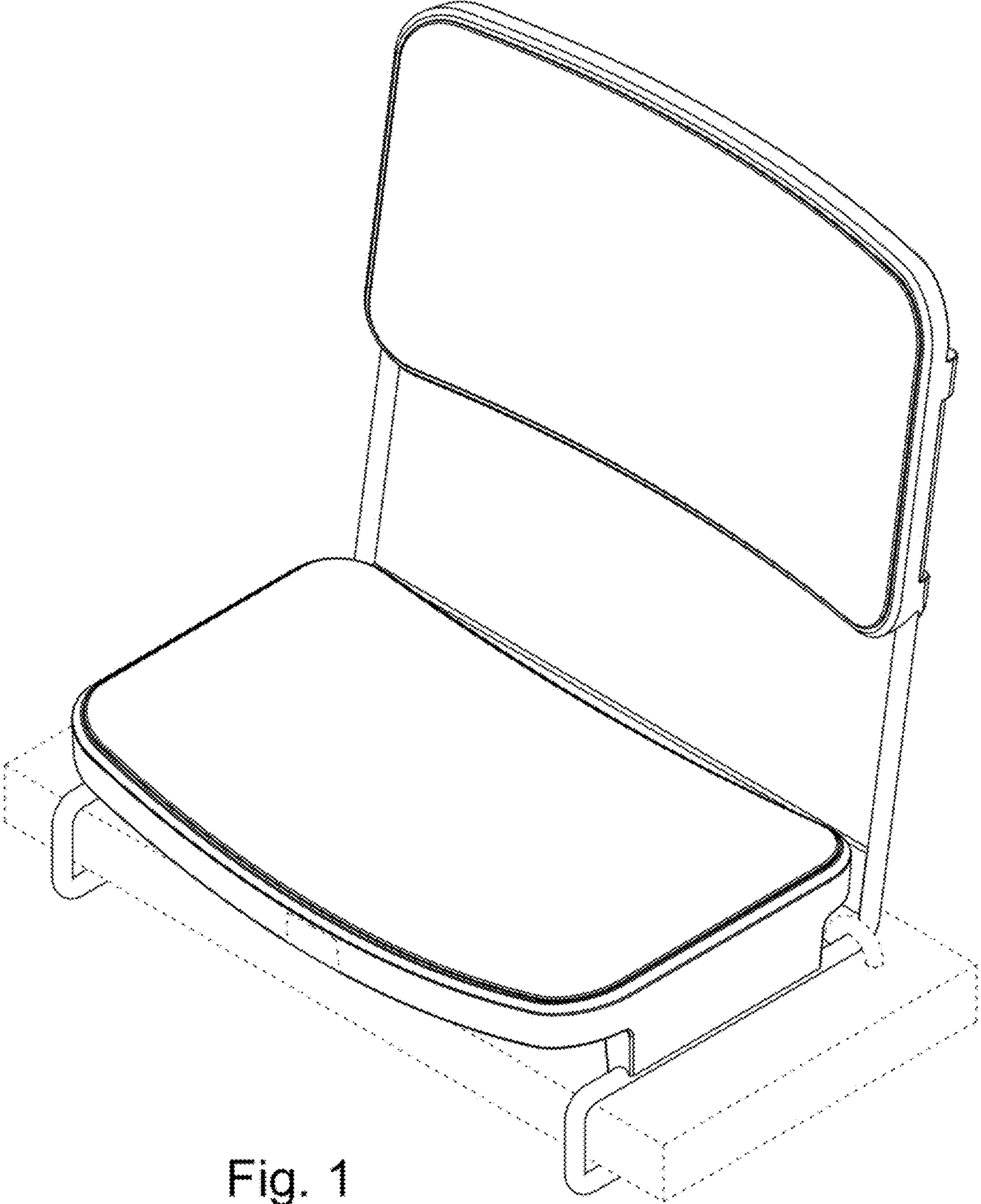


Fig. 1

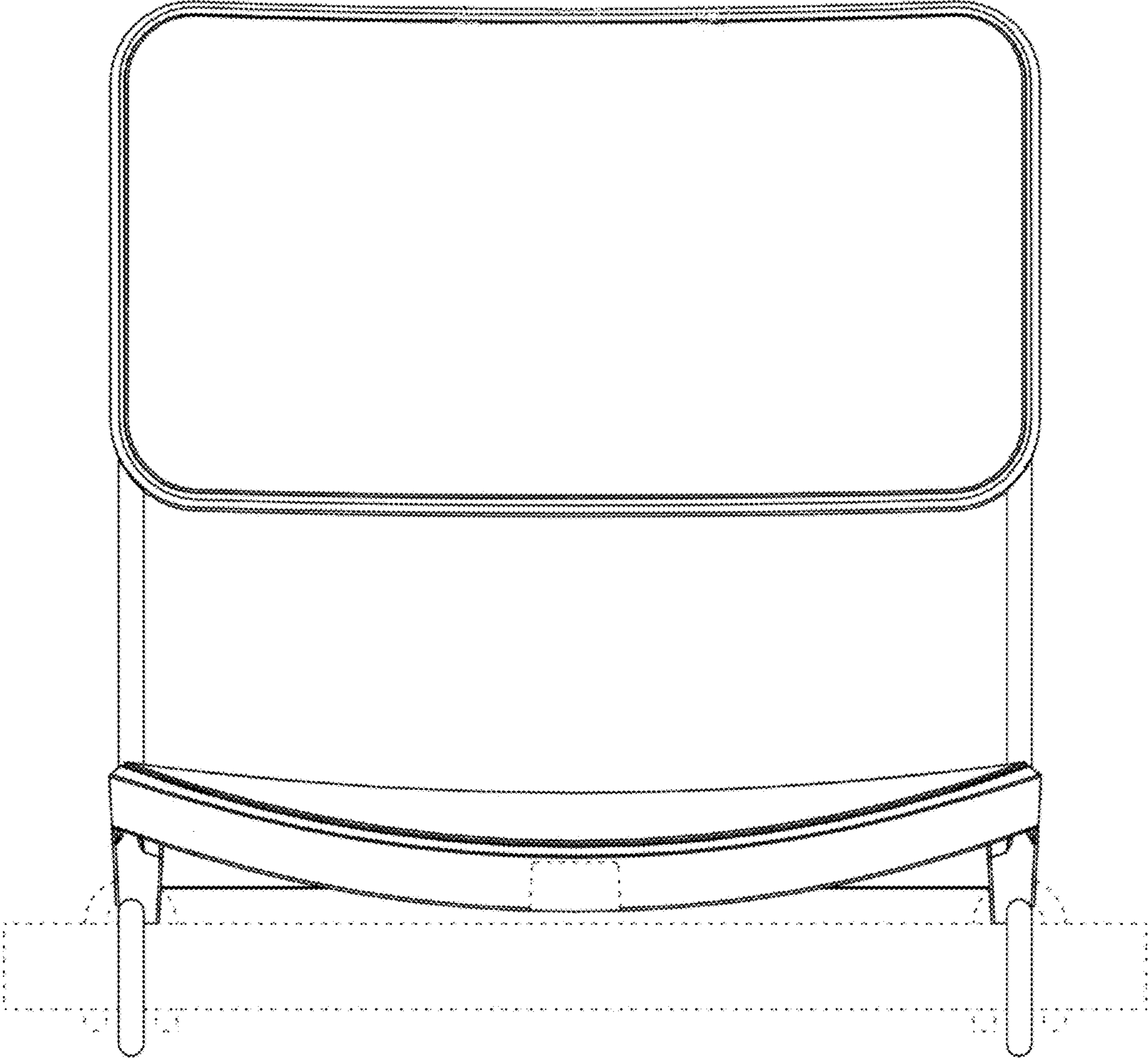


Fig. 2

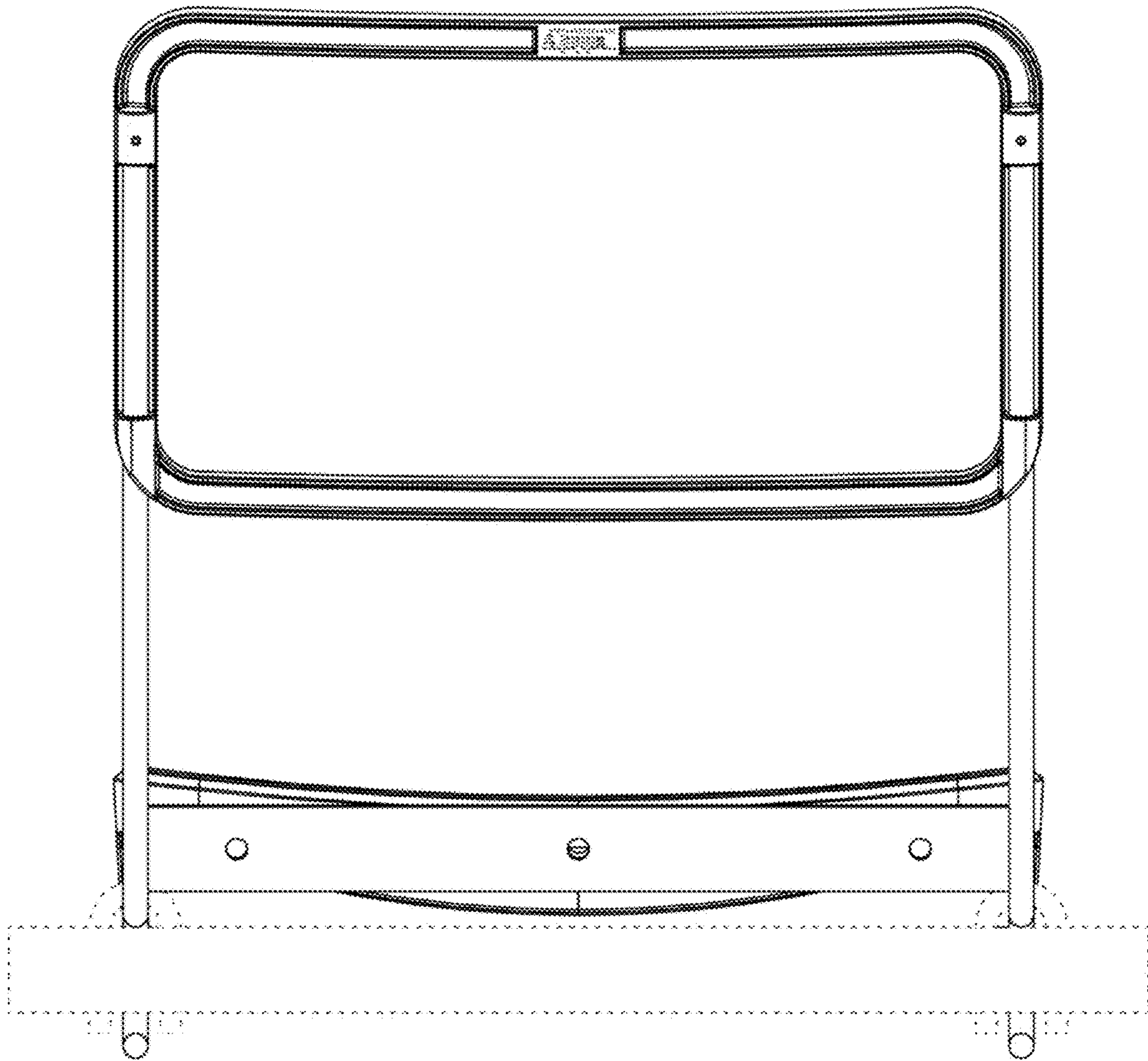


Fig. 3

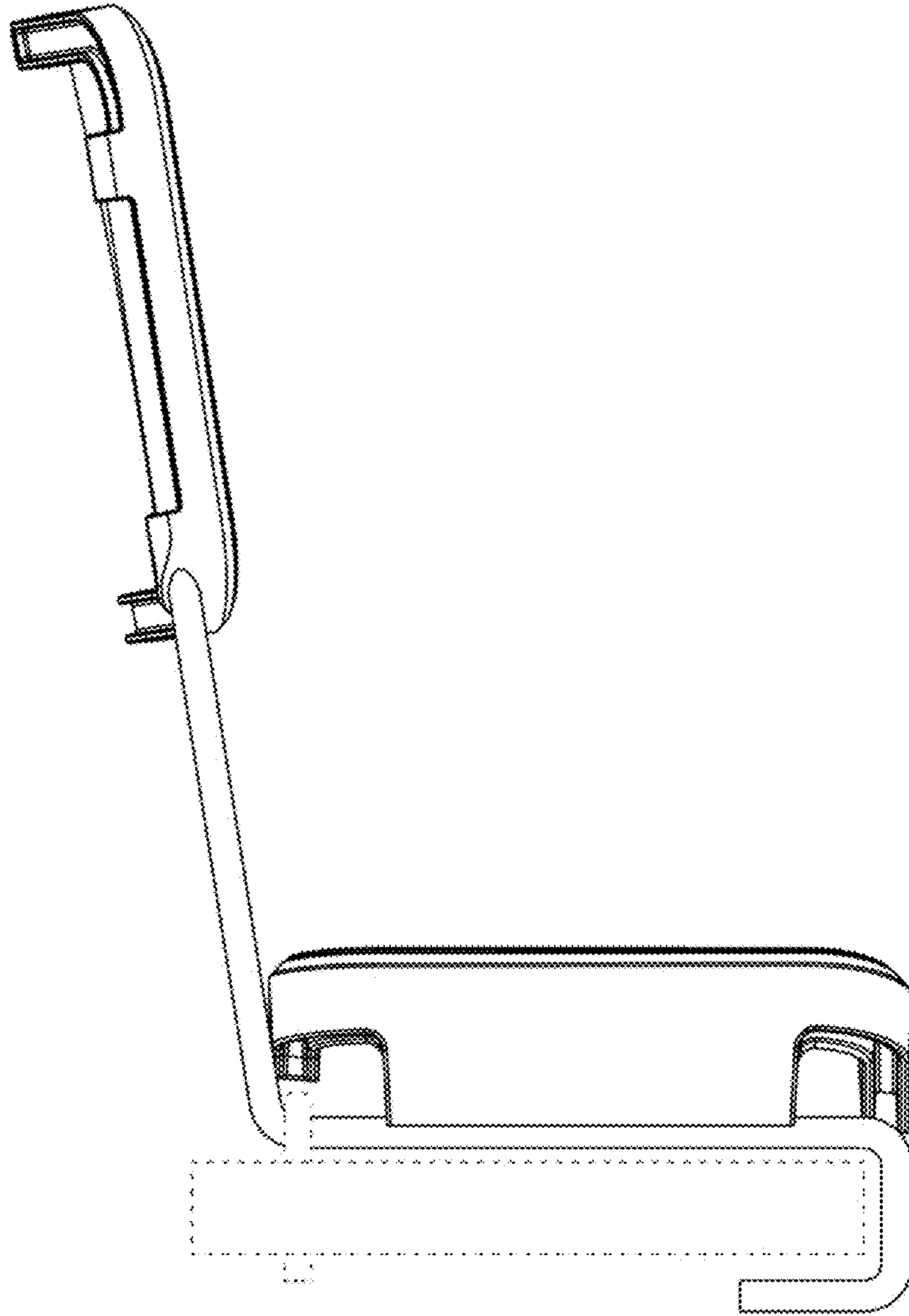


Fig. 4

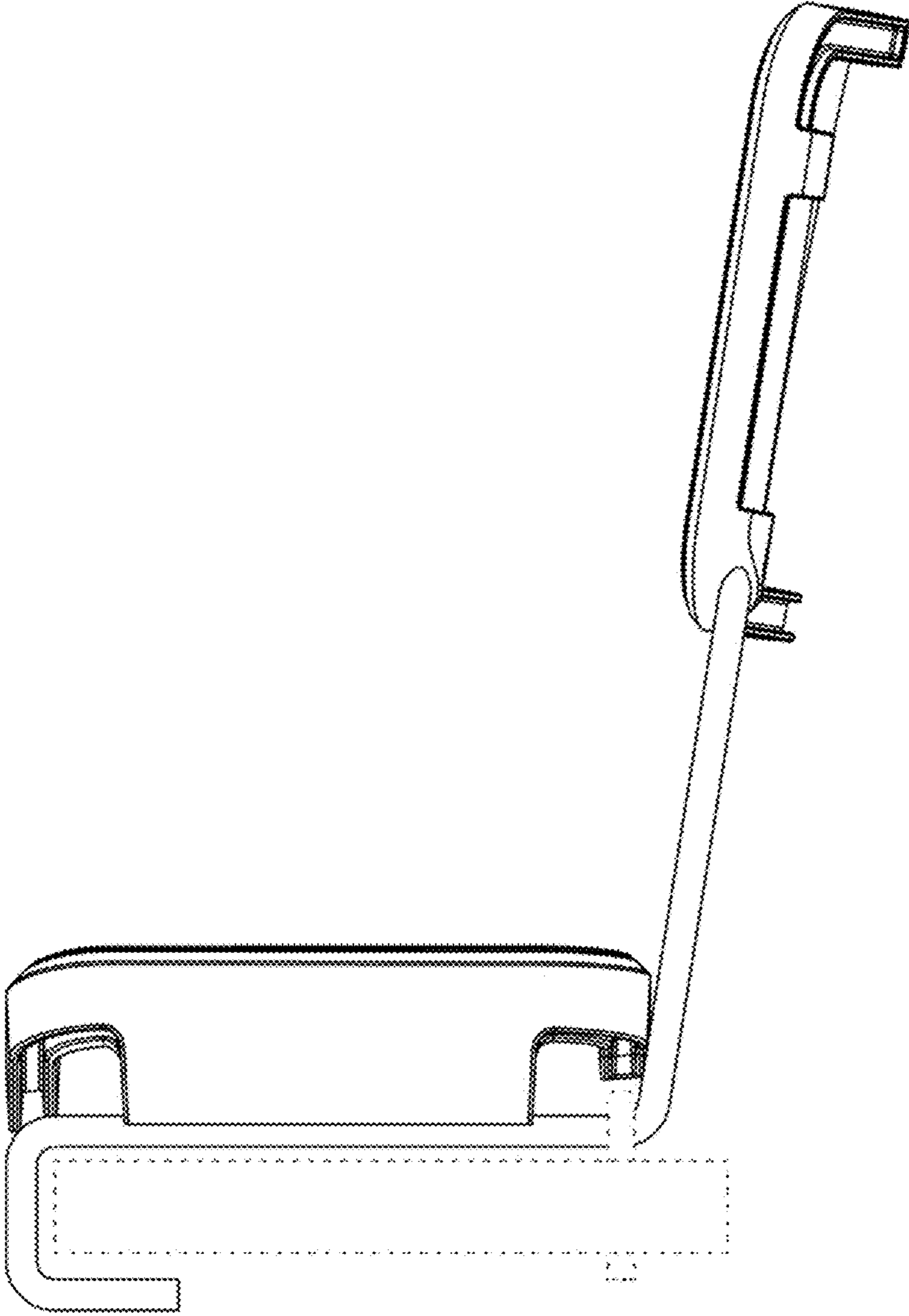


Fig. 5

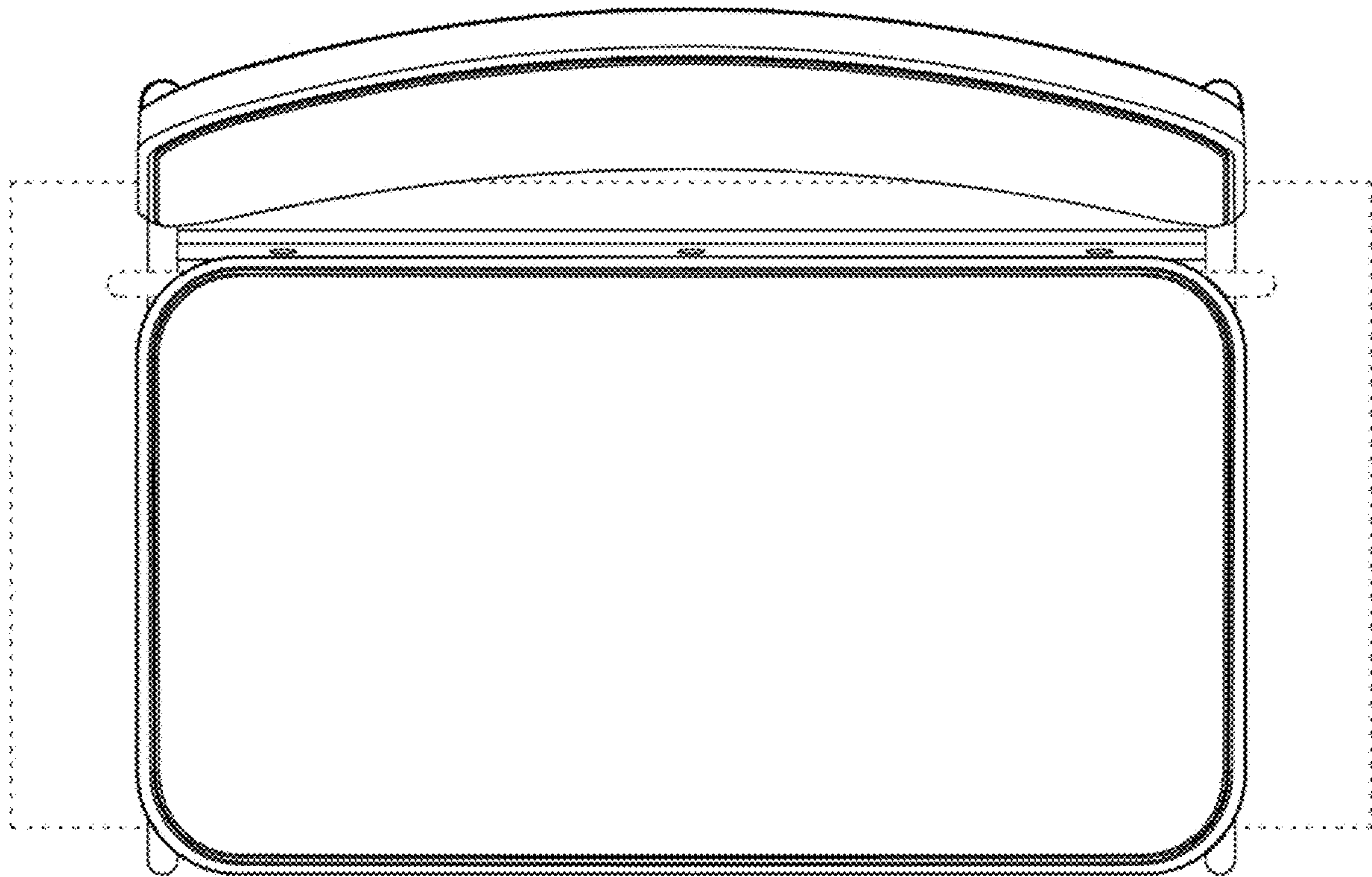


Fig. 6



Fig. 7