



US00D893904S

(12) **United States Design Patent**
Gfesser et al.

(10) **Patent No.:** **US D893,904 S**

(45) **Date of Patent:** **** Aug. 25, 2020**

(54) **CHAIR BASE HAVING WOOD LEGS**

D579,676 S 11/2008 Rheault
D713,157 S 9/2014 Carrier
D778,654 S 2/2017 Gfesser
D800,465 S * 10/2017 Ono D6/360

(71) Applicant: **Trendler Inc.**, Chicago, IL (US)

(72) Inventors: **Martin F. Gfesser**, Glen Ellyn, IL (US); **Stefan A. Gfesser**, Schaumburg, IL (US)

Primary Examiner — Kevin K Rudzinski

Assistant Examiner — Paul D Bohannon

(73) Assignee: **Trendler, Inc.**, Chicago, IL (US)

(74) *Attorney, Agent, or Firm* — Erickson Law Group, PC

(**) Term: **15 Years**

(57) **CLAIM**

The ornamental design for a chair base having wood legs, as shown and described.

(21) Appl. No.: **29/645,656**

(22) Filed: **Apr. 27, 2018**

DESCRIPTION

(51) **LOC (12) Cl.** **06-01**

(52) **U.S. Cl.**
USPC **D6/360**

(58) **Field of Classification Search**
USPC D6/334, 341, 349, 350, 352, 353, 360,
D6/364, 369, 370, 373, 374, 375, 380,
D6/677, 692, 700, 708, 708.16, 716, 351
CPC A47C 3/34; A47C 7/506; A47C 9/007;
A47C 13/023; A47C 4/028; A47C 4/02;
A47C 7/004; A47D 1/00
See application file for complete search history.

FIG. 1 is a perspective view of a chair base having wood legs of the invention, where the wood legs extend below top caps. FIG. 2 is a front side view of the chair base of FIG. 1. FIG. 3 is a back view of the chair base of FIG. 1. FIG. 4 is a left side view of the chair base of FIG. 1. FIG. 5 is a right side view of the chair base of FIG. 1. FIG. 6 is a top view of the chair base of FIG. 1. FIG. 7 is a bottom view of the chair base of FIG. 1. FIG. 8 is a perspective view of a second embodiment chair base having wood legs, where wood line shading of the legs is shown to identify the wood legs extending below top caps. The front, back, left, right, top, and bottom views of the second embodiment are identical to those shown in FIGS. 2 through 7 except with the wood appearance of the legs shown with wood line shading as shown in FIG. 8 applied; and, FIG. 9 a right side view of the chair base of FIG. 1, a seat shown in broken lines, and a human person shown sitting on the seat.

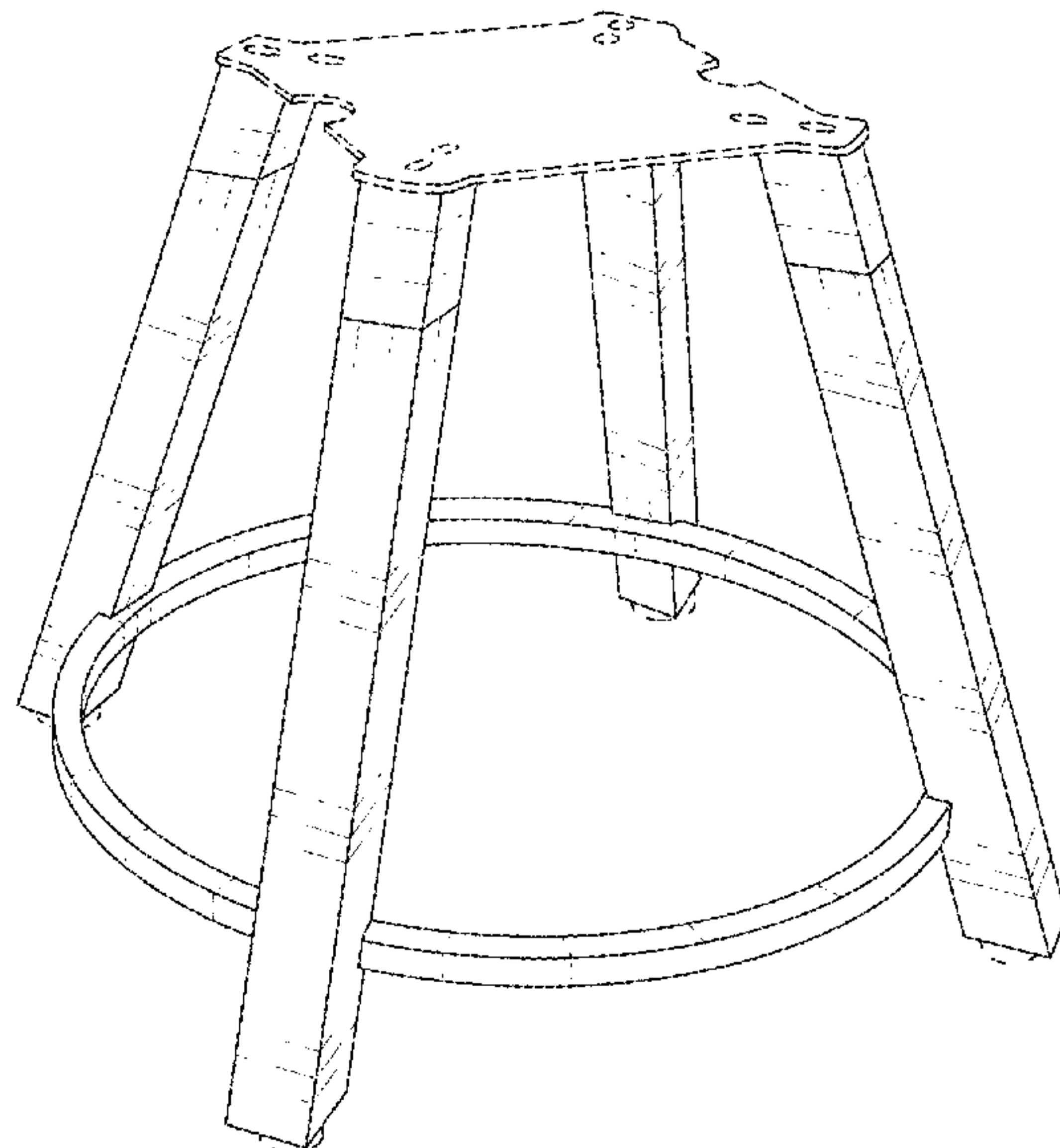
(56) **References Cited**

U.S. PATENT DOCUMENTS

D126,270 S * 4/1941 Panzer D6/352
2,525,670 A * 10/1950 Hamilton A47C 7/26
5/402
D232,880 S * 9/1974 Samhammer D6/352
D294,434 S * 3/1988 Zakharov D6/360
4,998,774 A * 3/1991 Huff A47C 9/007
297/452.41
D427,812 S 7/2000 Donnelly
D438,025 S * 2/2001 Lopez D6/349
D467,742 S * 12/2002 de Blois D6/349
6,749,265 B1 6/2004 Wang
D530,944 S 10/2006 Samuel
D535,828 S * 1/2007 Gasca Burges D6/349

The broken lines of the chair base of FIGS. 1-9 are for the purpose illustrating unclaimed portions of the chair base and form no part of the claimed design. The portions of the human person and the seat in FIG. 9 are not part of the claimed design.

1 Claim, 7 Drawing Sheets



(56)

References Cited

U.S. PATENT DOCUMENTS

D800,466 S *	10/2017	Ono	D6/360
D819,990 S *	6/2018	Ono	D6/352
D820,611 S *	6/2018	Ono	D6/352
D824,682 S *	8/2018	Zanayed	D6/352
2012/0100971 A1 *	4/2012	Chiu	A63B 21/015 482/139

* cited by examiner

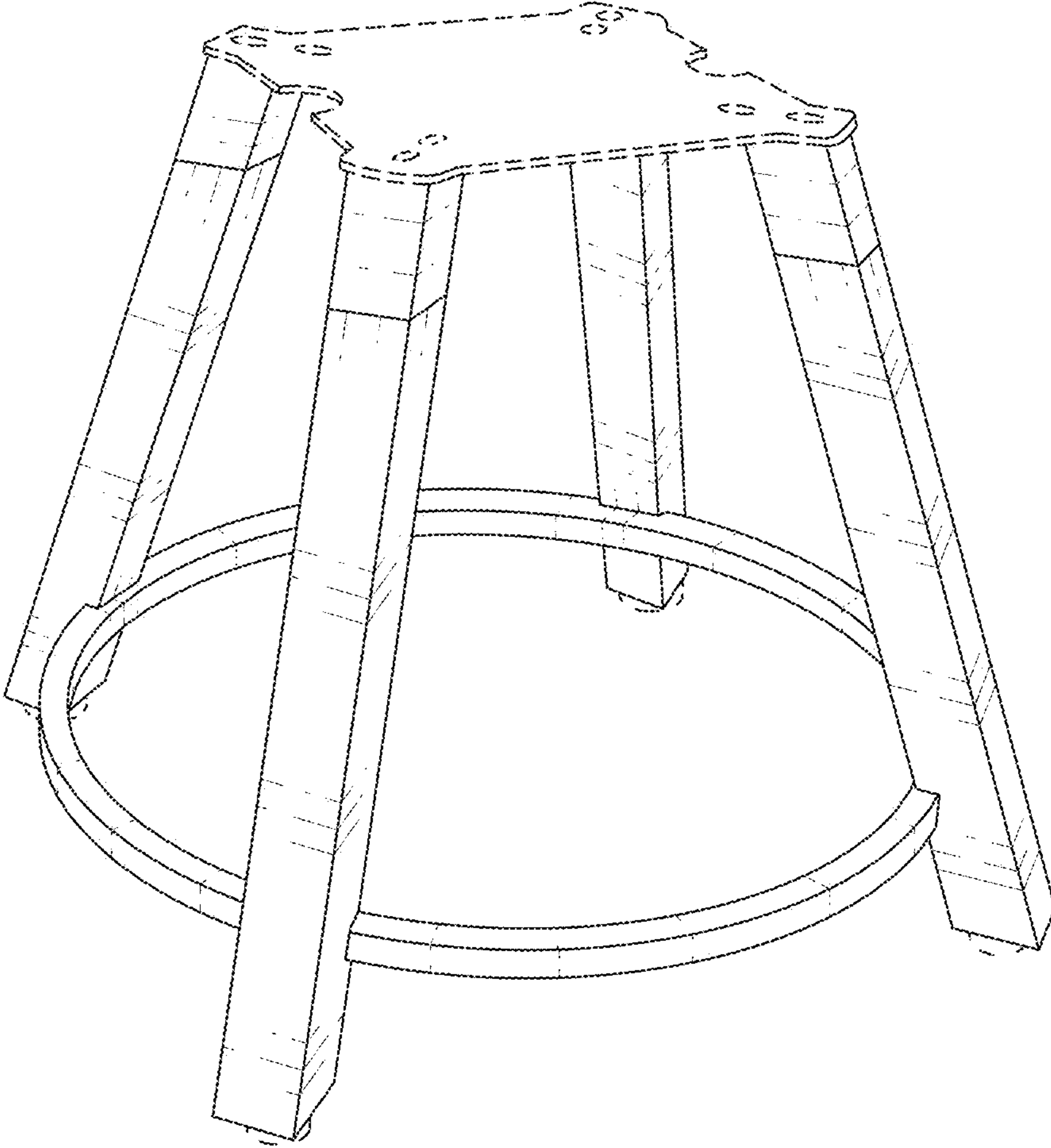


FIG. 1

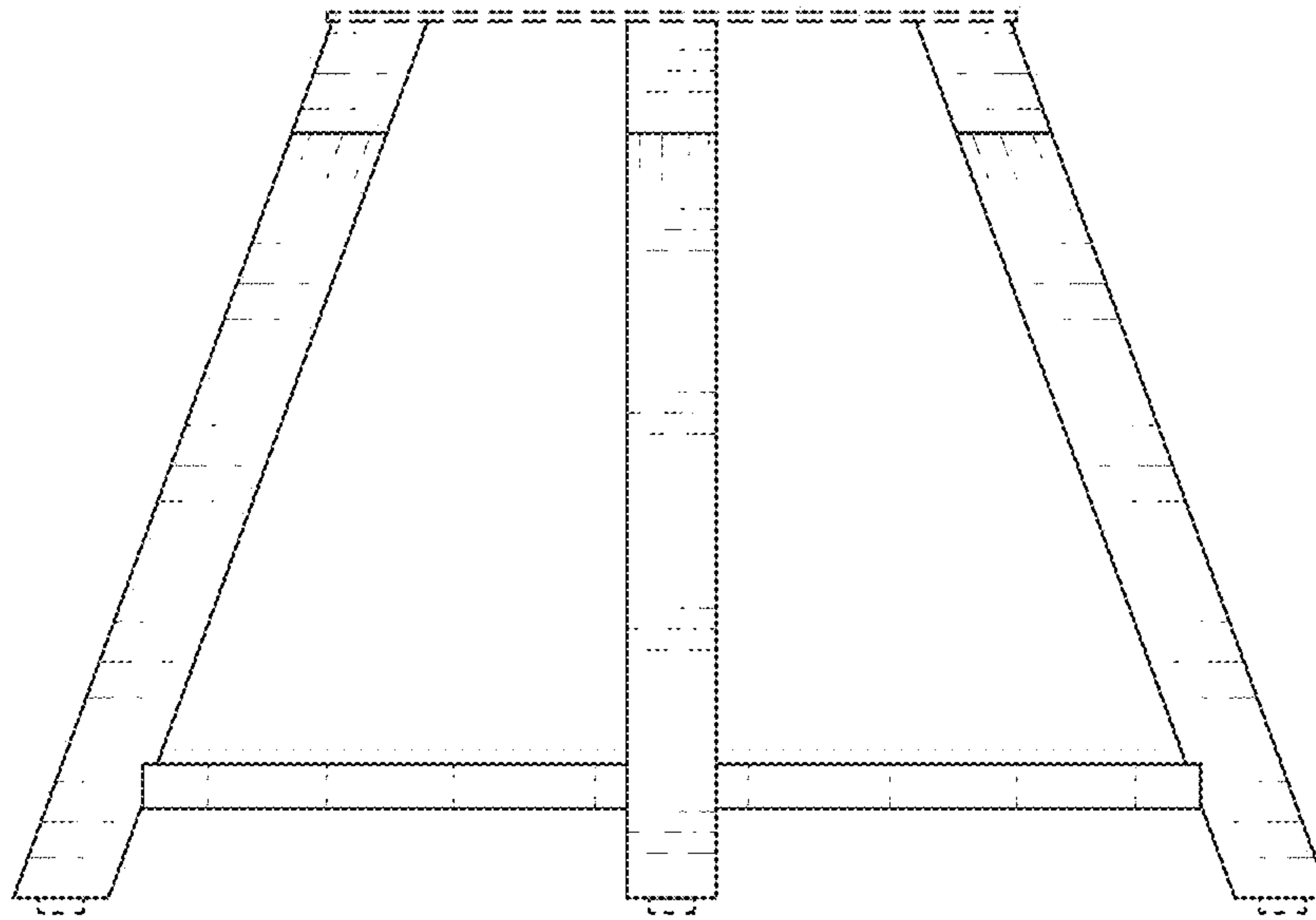


FIG. 2

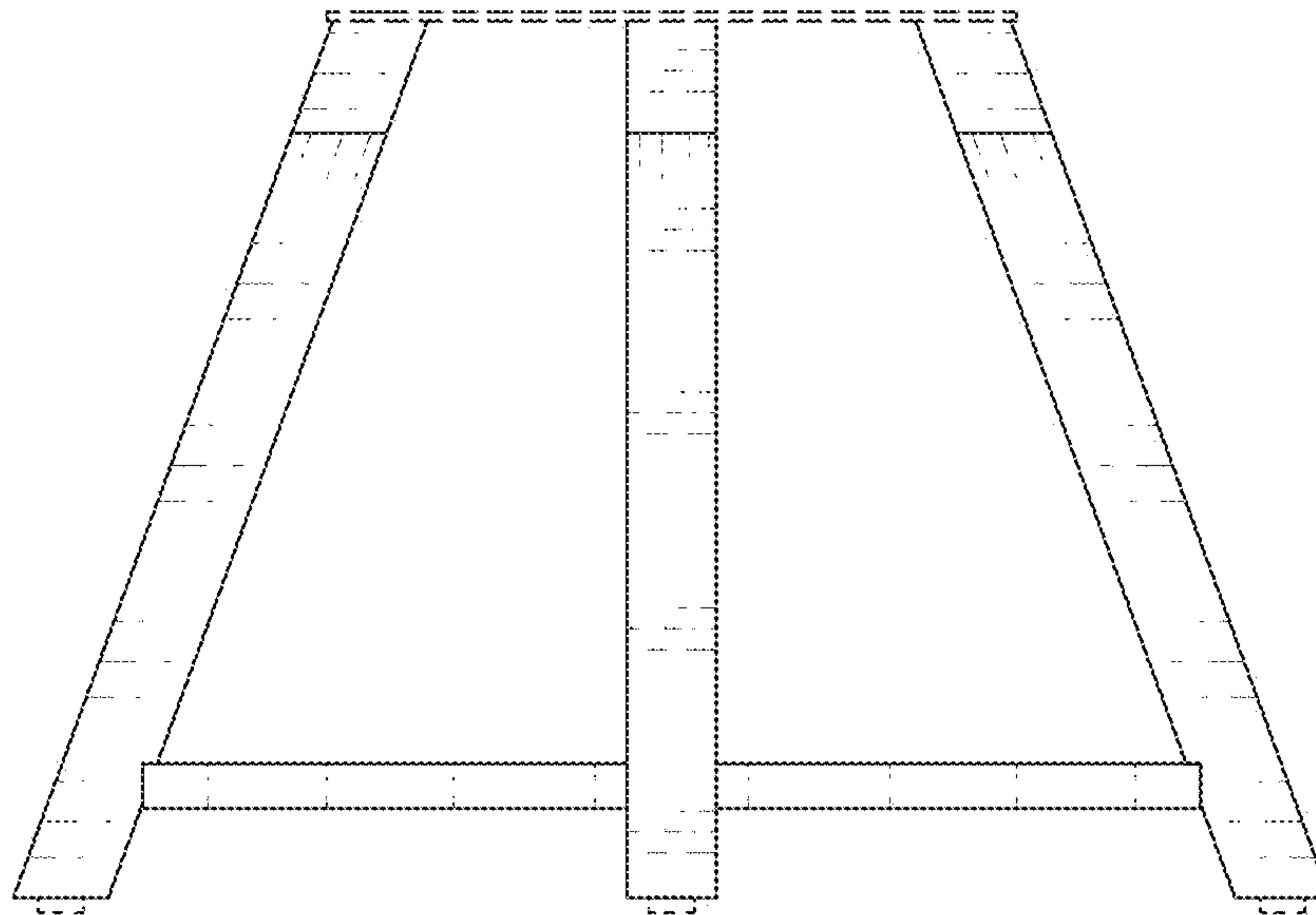


FIG. 3

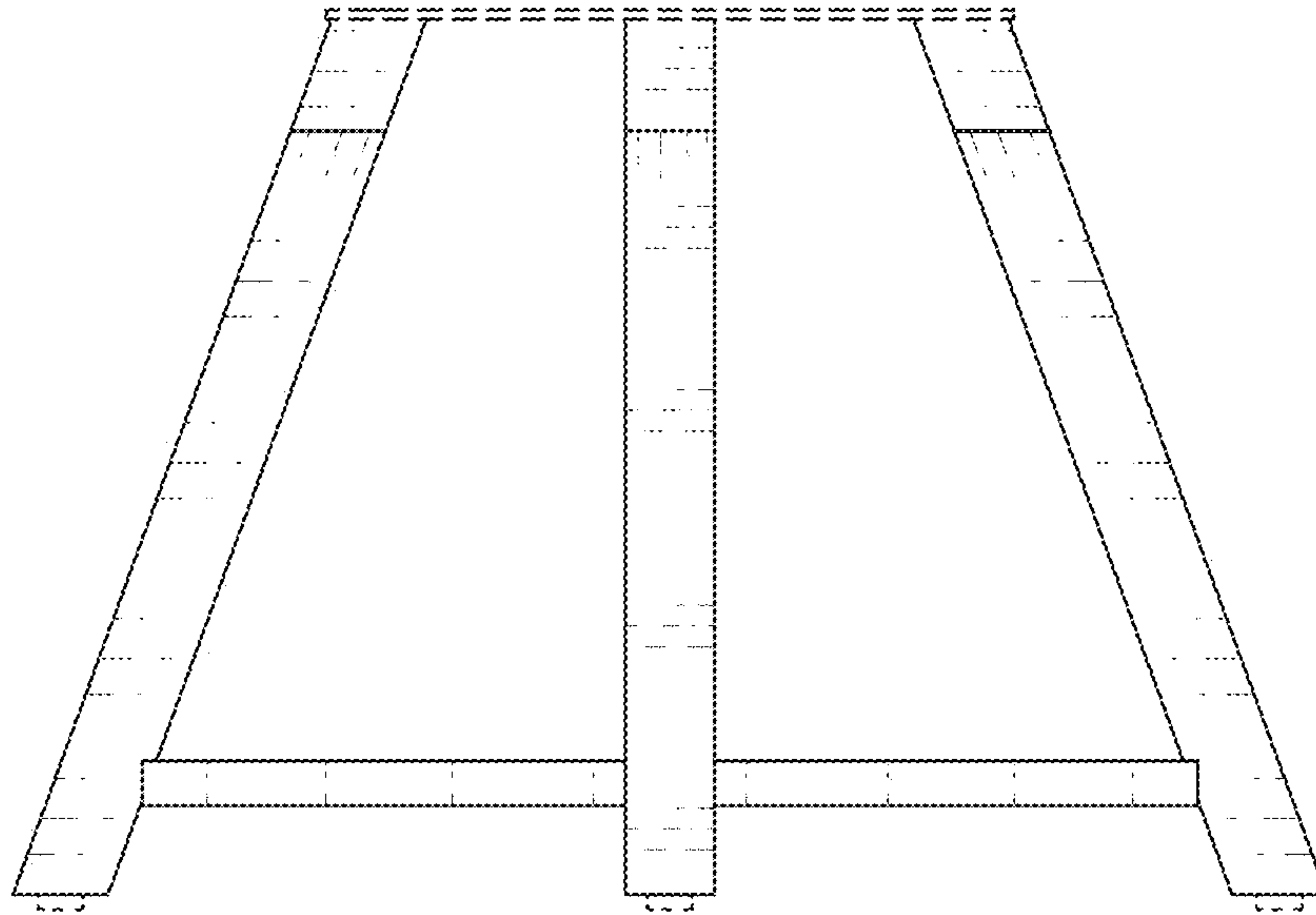


FIG. 4

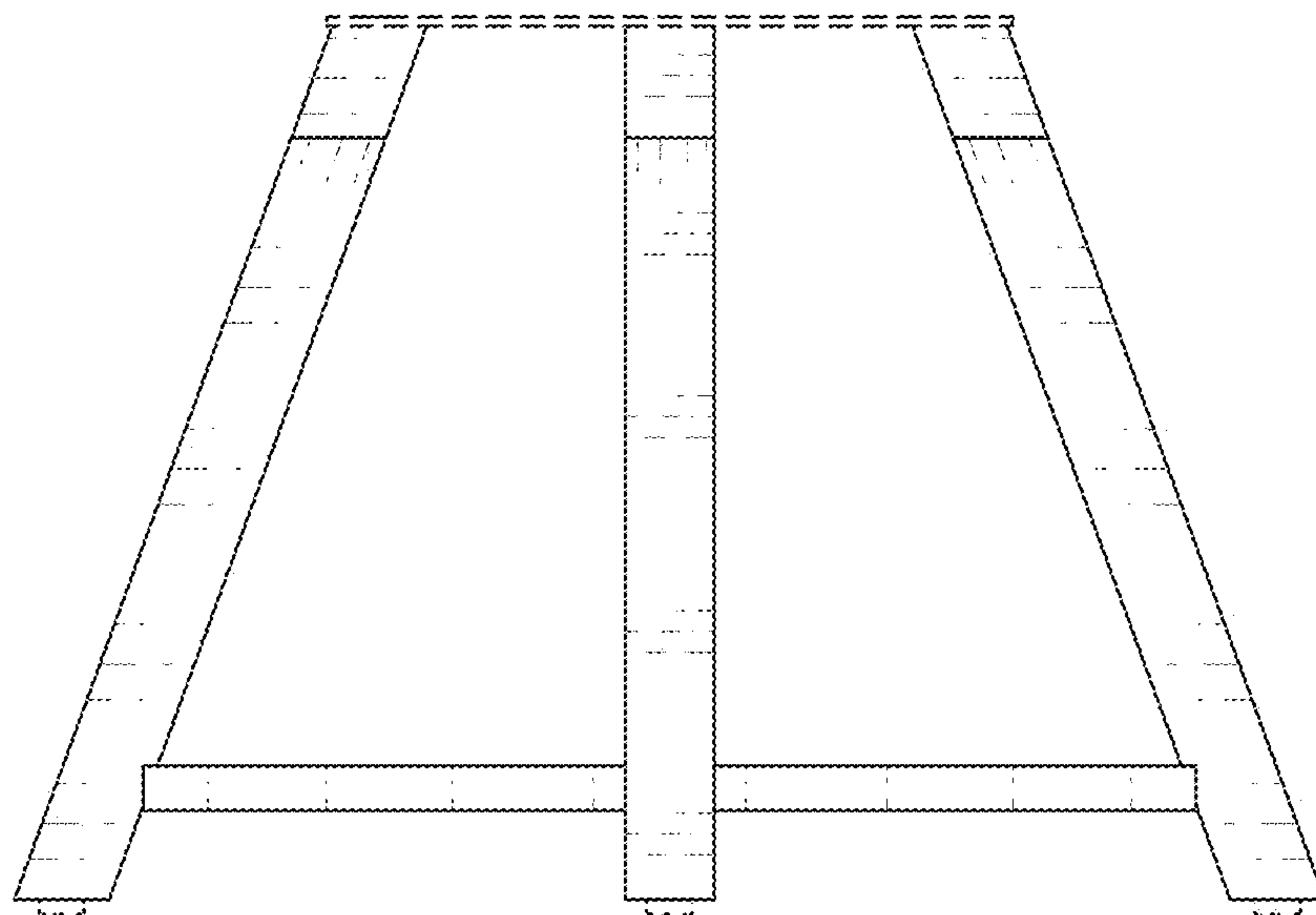


FIG. 5

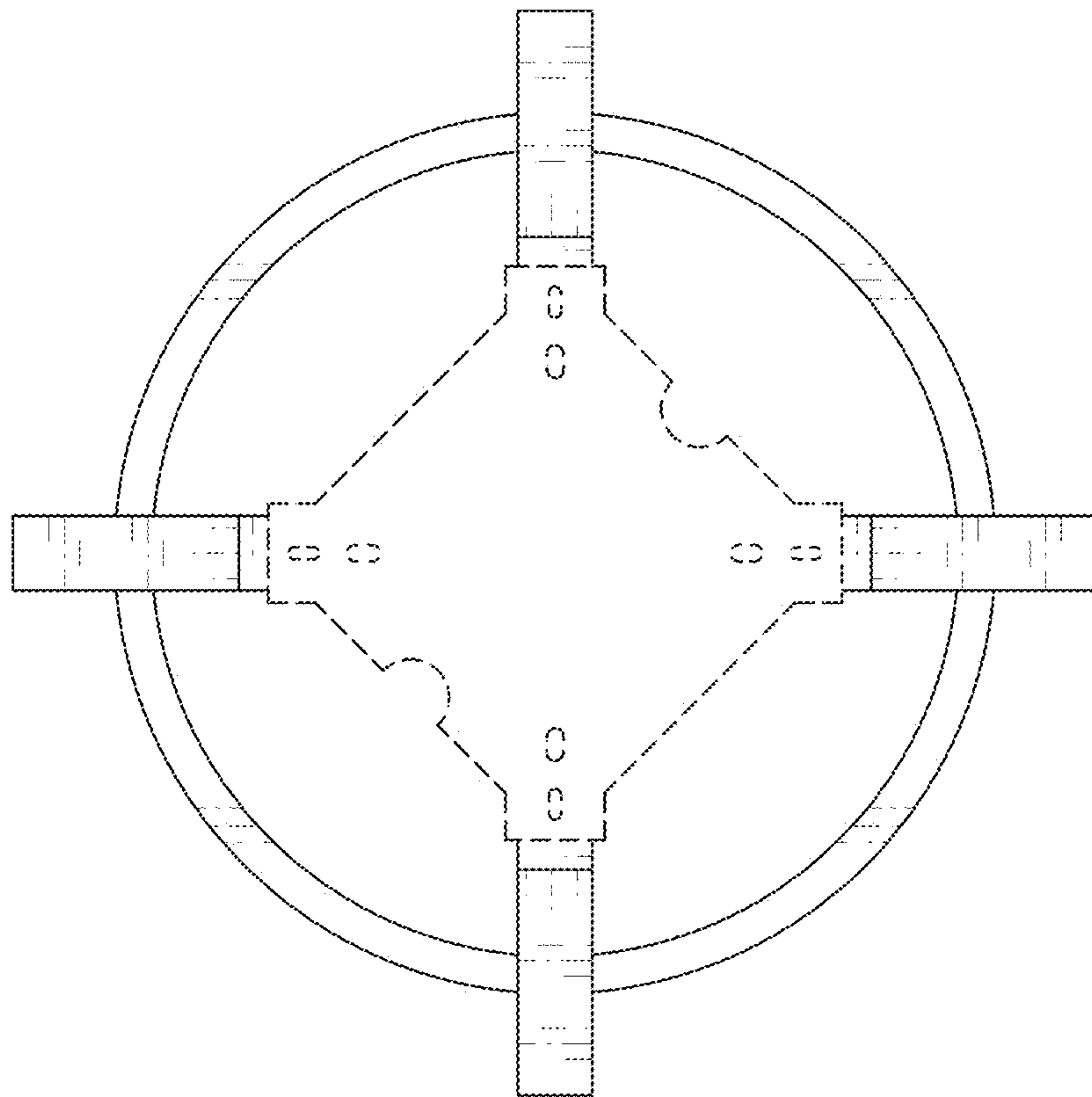


FIG. 6

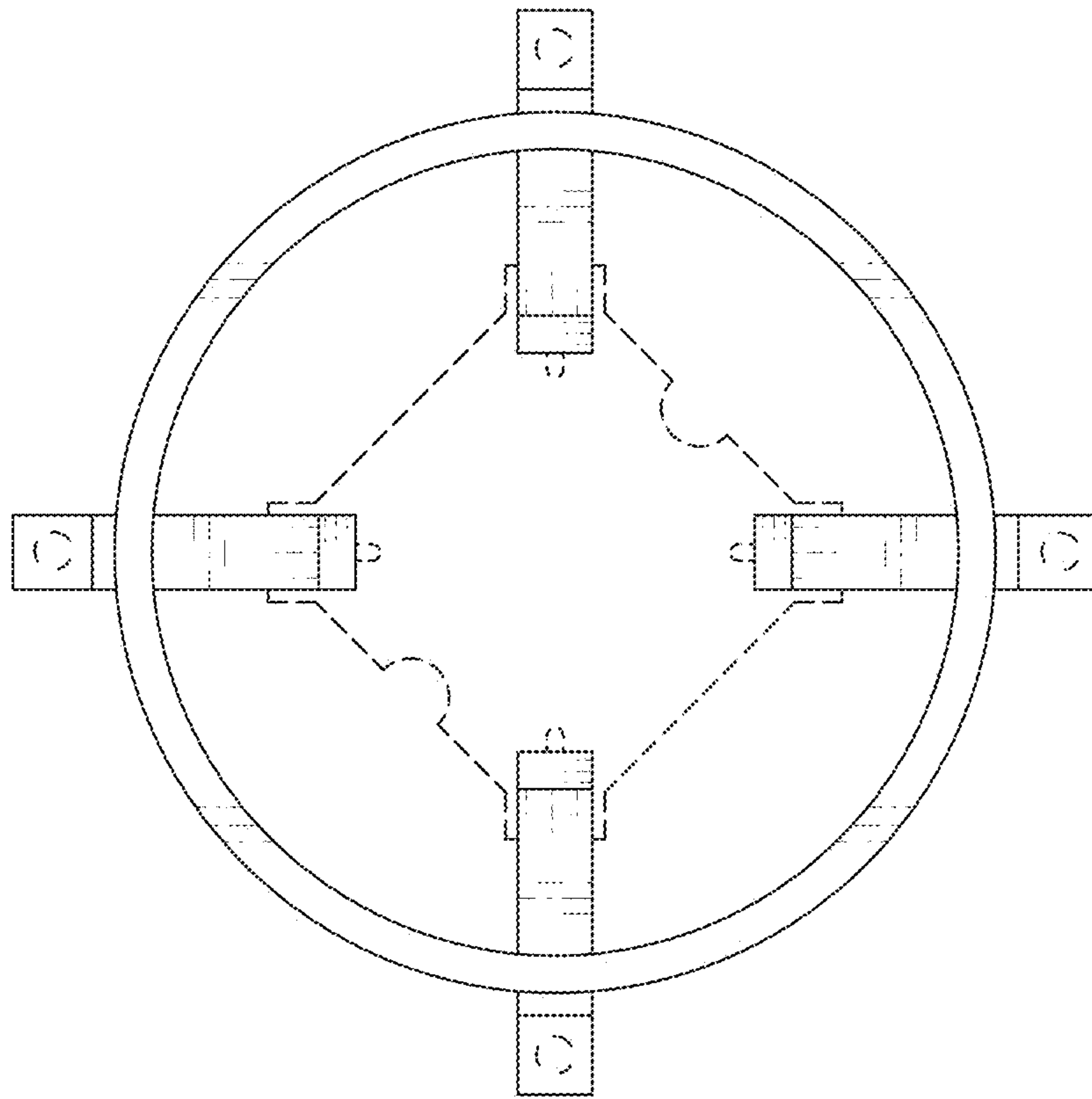


FIG. 7

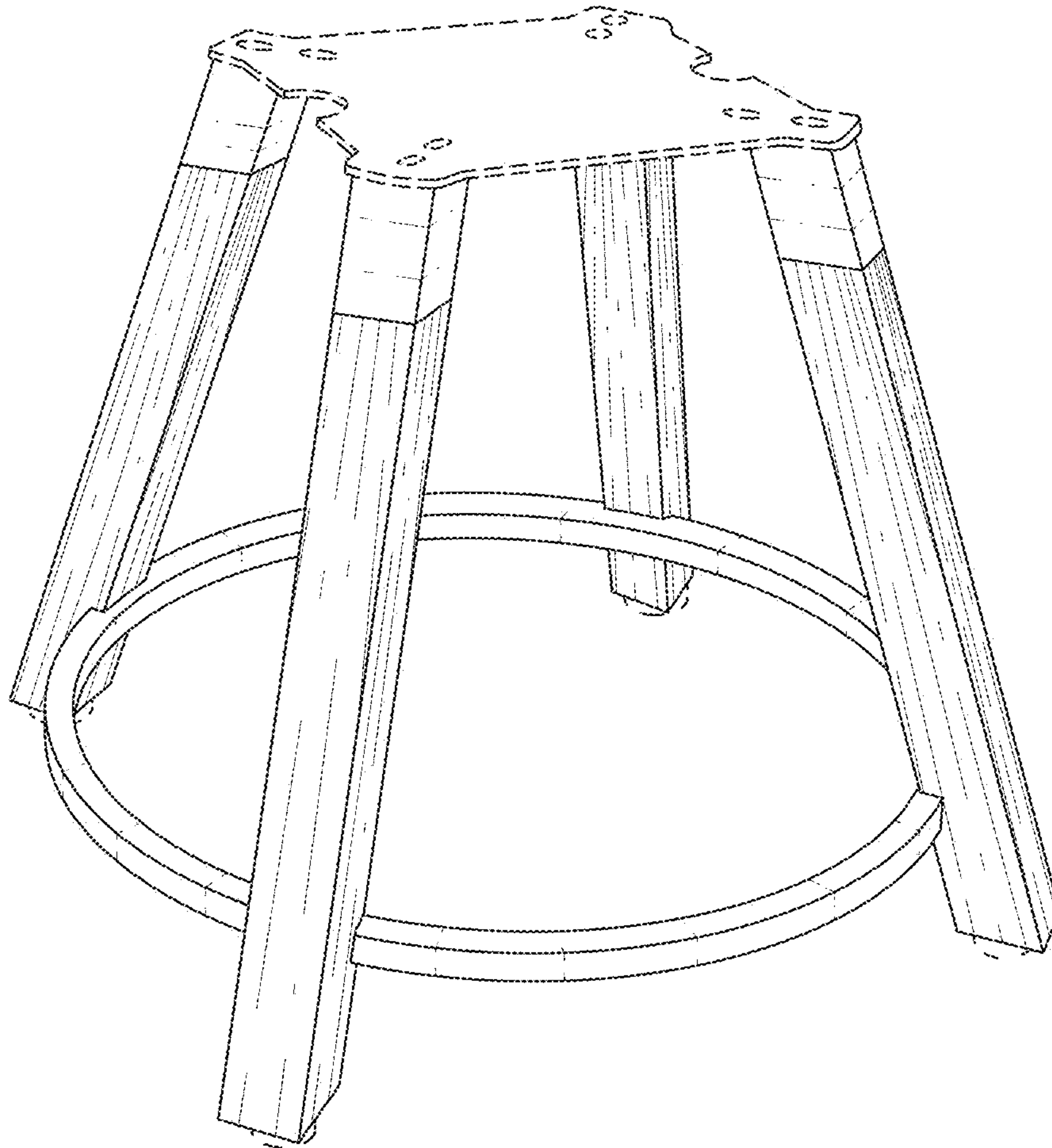


FIG. 8

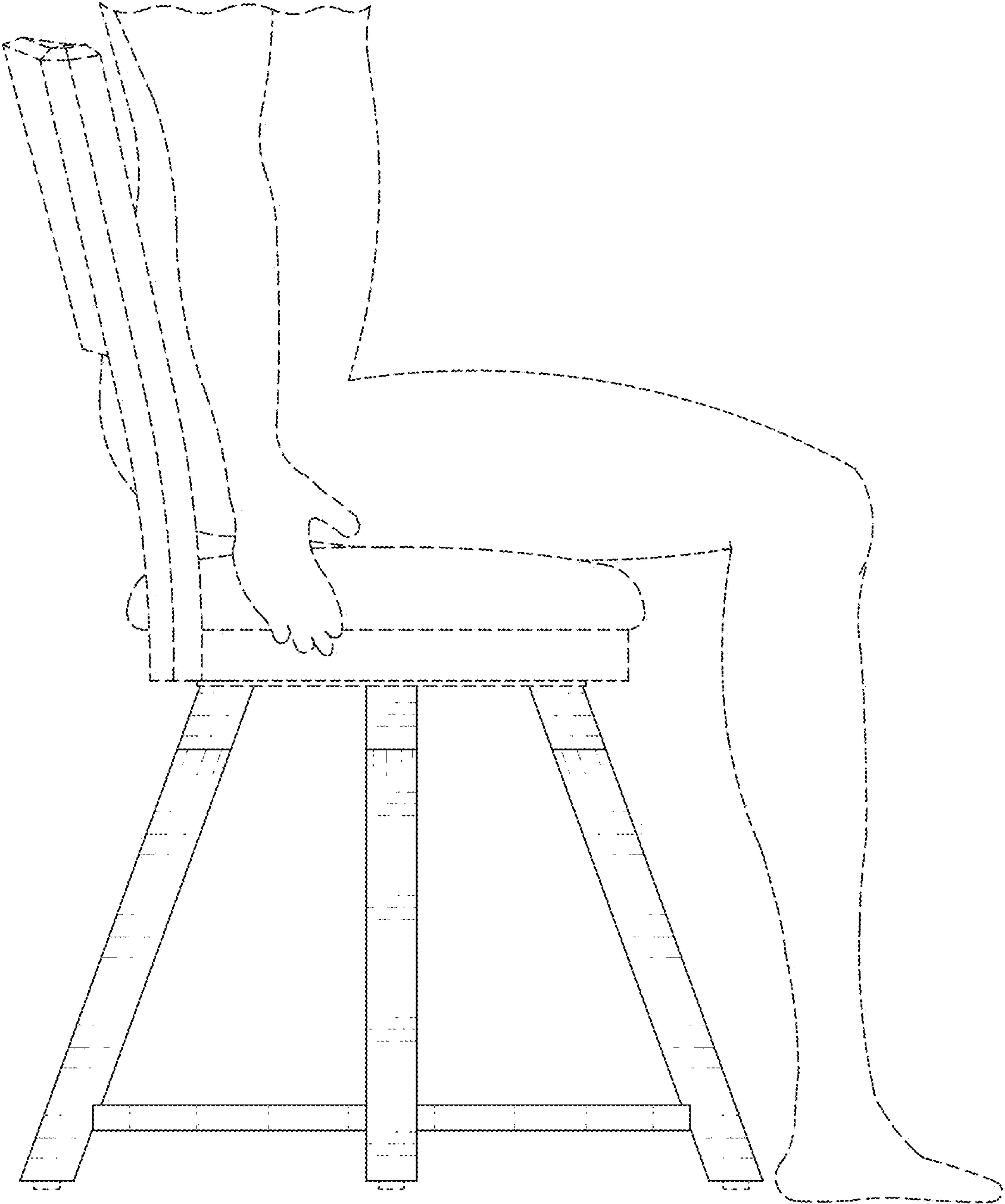


FIG. 9