



US00D893898S

(12) **United States Design Patent**
Leng

(10) **Patent No.:** **US D893,898 S**

(45) **Date of Patent:** **** *Aug. 25, 2020**

(54) **FOLDING TABLE**
(71) Applicant: **NEW-TEC INTEGRATION**
(XIAMEN) CO., LTD., Xiamen (CN)
(72) Inventor: **Luhao Leng**, Xiamen (CN)
(73) Assignee: **NEW-TEC INTEGRATION**
(XIAMEN) CO., LTD., Xiamen (CN)
(*) Notice: This patent is subject to a terminal disclaimer.
(**) Term: **15 Years**
(21) Appl. No.: **29/662,594**
(22) Filed: **Sep. 6, 2018**

4,883,314 A * 11/1989 Sakong A47B 3/14
297/158.4
D313,128 S * 12/1990 Serafini D6/338
5,921,623 A * 7/1999 Nye A47B 3/14
108/132
D463,919 S * 10/2002 Lee D6/337
6,644,734 B1 * 11/2003 Tseng A47B 3/14
297/158.4
D496,799 S * 10/2004 Thomas D6/337
D497,262 S * 10/2004 Thomas D6/337
6,817,662 B2 * 11/2004 Winter A47B 83/02
297/158.3
6,918,630 B1 * 7/2005 Thomas A47B 83/02
297/158.3
7,975,625 B2 * 7/2011 Topham A47B 3/0803
108/115
D845,011 S * 4/2019 Wang D6/337
2004/0070235 A1 * 4/2004 Gregory A47B 3/14
297/158.4
2006/0181114 A1 * 8/2006 Nye A47B 3/14
297/158.3

(30) **Foreign Application Priority Data**
Mar. 7, 2018 (CN) 2018 3 0084229
(51) **LOC (12) Cl.** **06-05**
(52) **U.S. Cl.**
USPC **D6/337; D6/368; D6/338**
(58) **Field of Classification Search**
USPC D6/334, 335, 336, 337, 338, 349, 355,
D6/367, 368, 370
CPC A47B 3/002; A47B 3/14; A47B 2003/145;
A47B 83/02; A47B 83/0241
See application file for complete search history.

* cited by examiner

Primary Examiner — Cathron C Brooks
(74) *Attorney, Agent, or Firm* — Cooper Legal Group, LLC

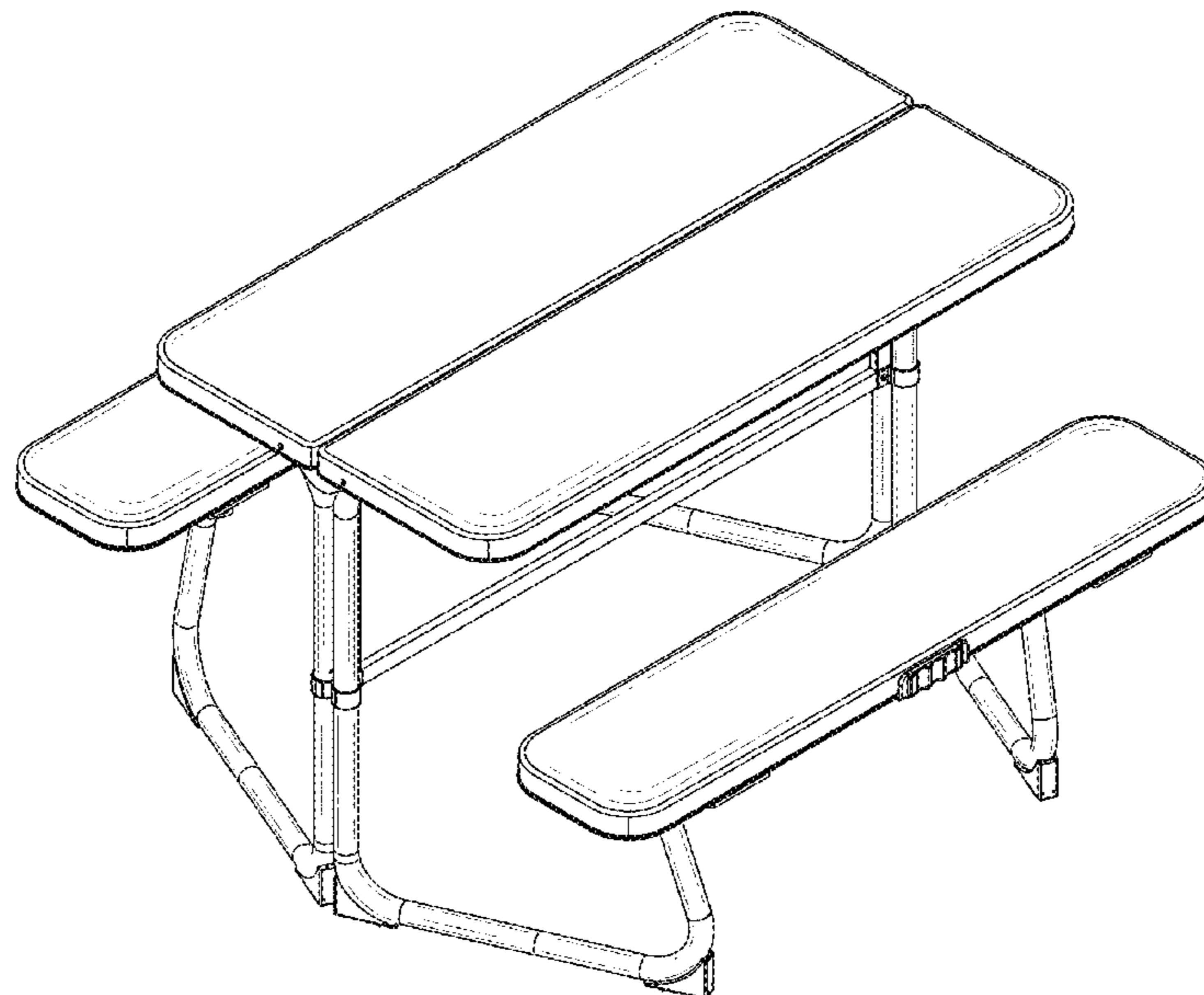
(56) **References Cited**
U.S. PATENT DOCUMENTS
2,722,971 A * 11/1955 Gallagher A47B 3/14
297/158.5
2,746,525 A * 5/1956 Cooper A47B 3/14
297/158.5
4,047,754 A * 9/1977 Cathey A47B 83/02
297/158.3

(57) **CLAIM**
The ornamental design for a folding table, as shown.

DESCRIPTION

FIG. 1. is a side view of a folding table showing my new design, the opposite side being a mirror image thereof;
FIG. 2. is a front view, the rear side being a mirror image thereof;
FIG. 3. is a top plan view thereof;
FIG. 4. is a perspective view thereof; and,
FIG. 5. is another perspective view thereof.

1 Claim, 5 Drawing Sheets



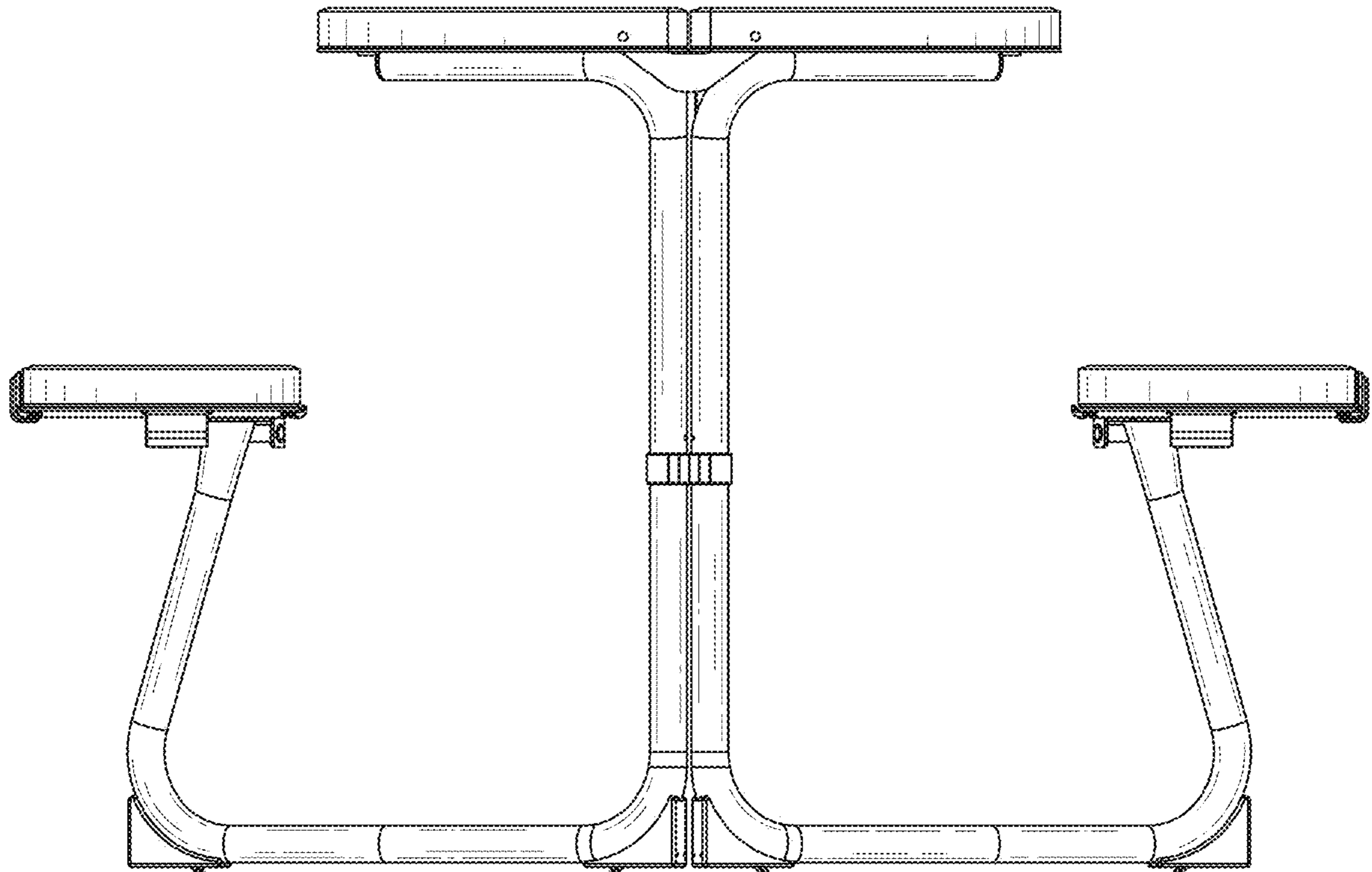


Fig. 1

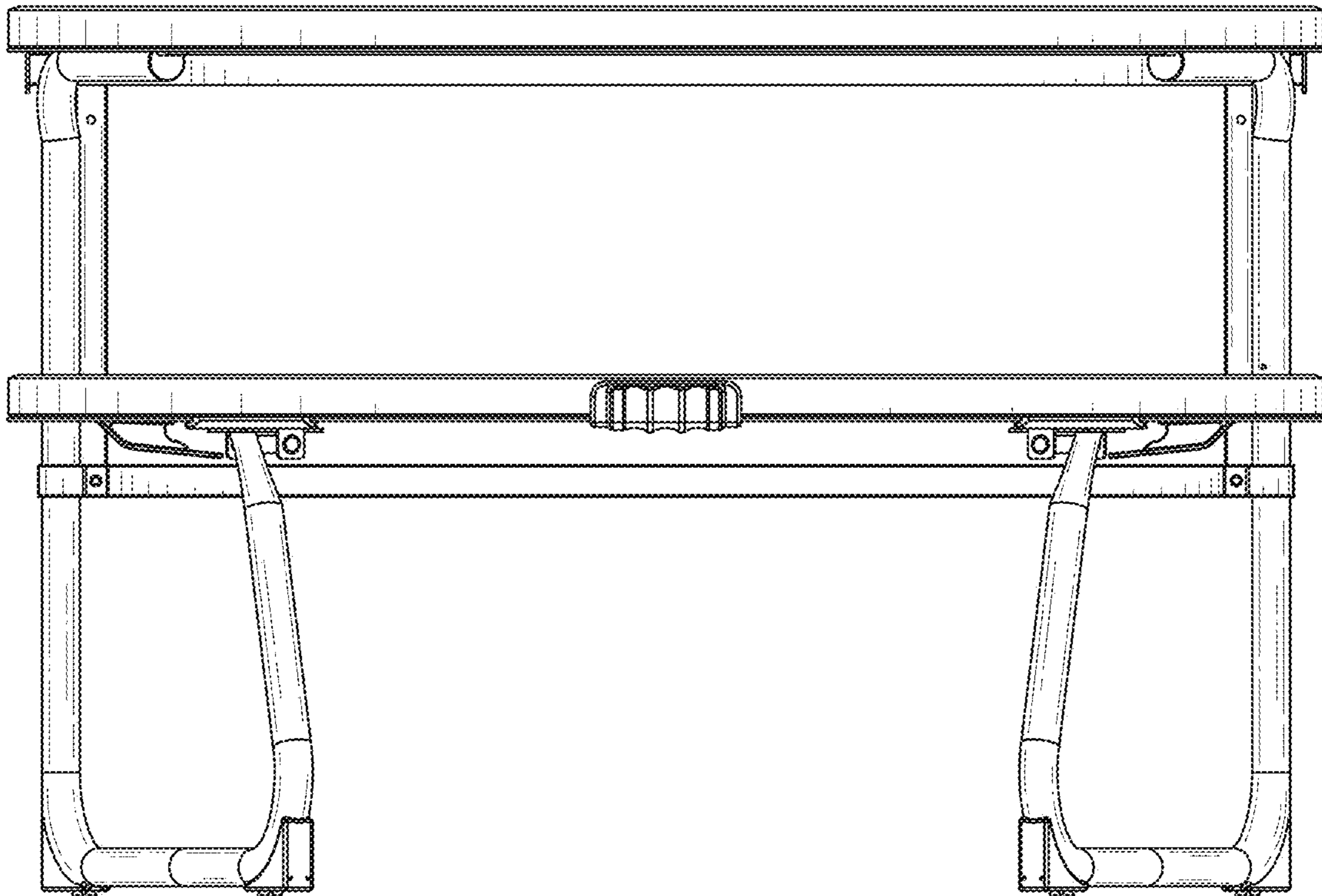


Fig. 2

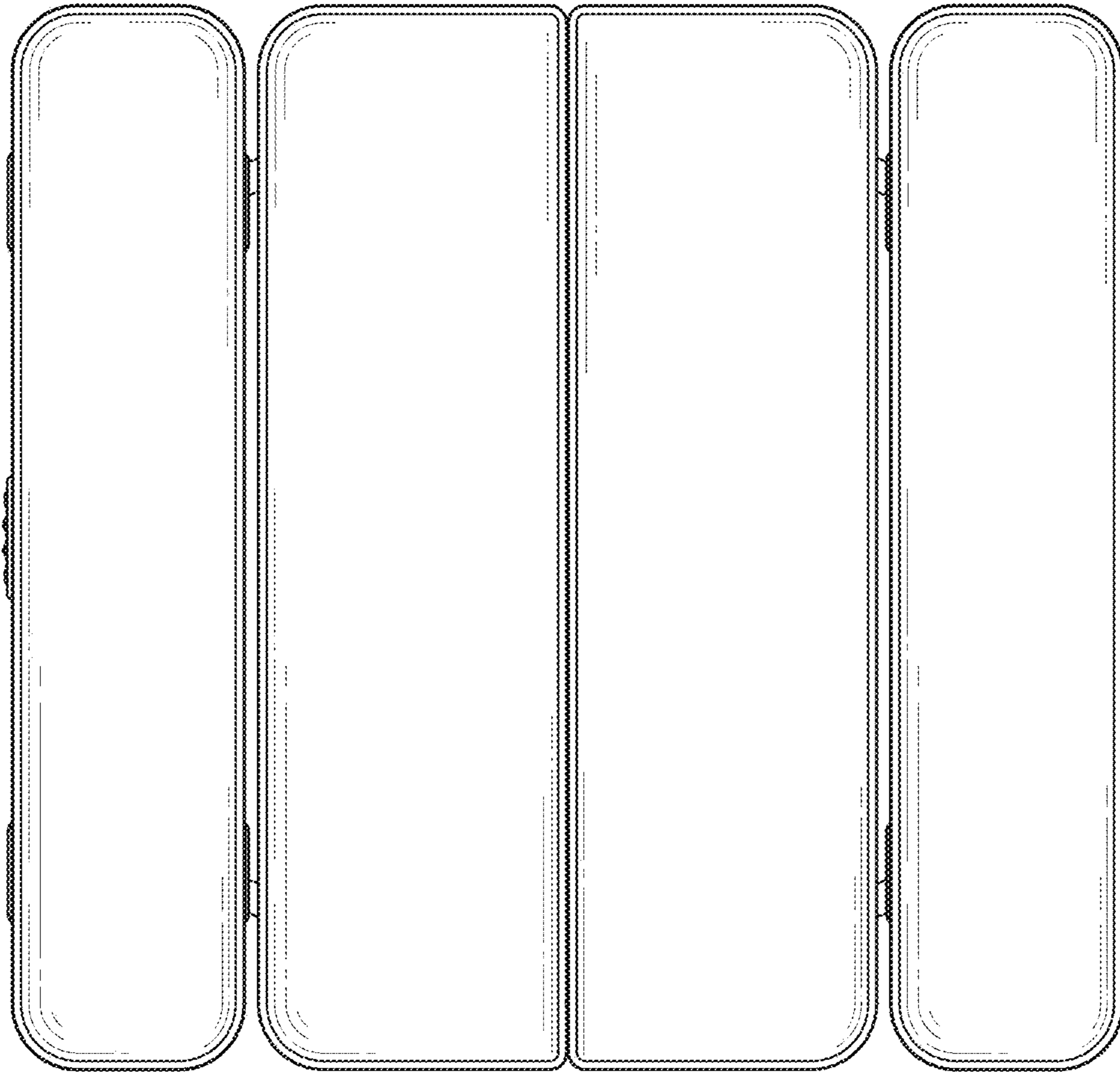


Fig. 3

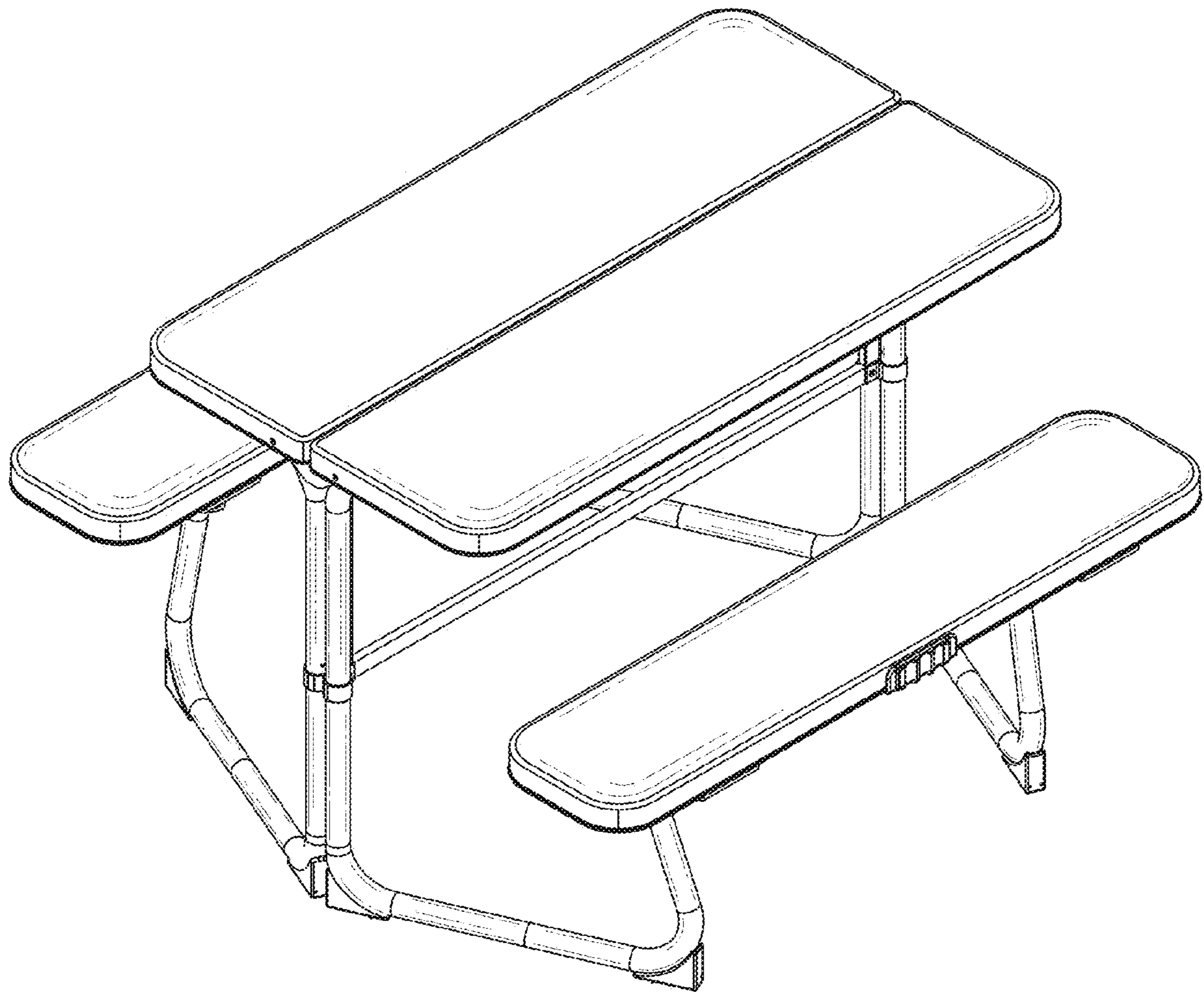


Fig. 4

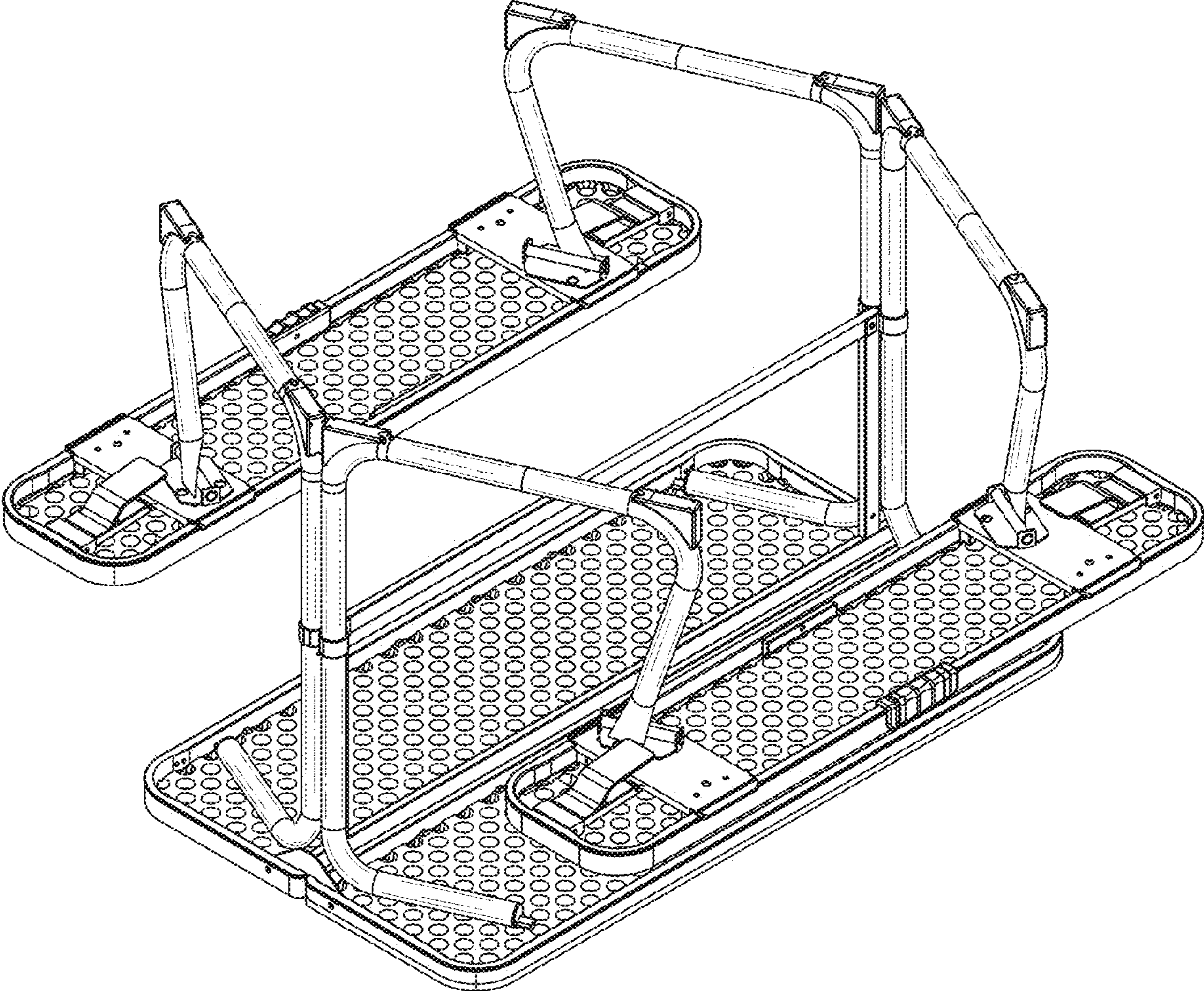


Fig. 5