



US00D893896S

(12) **United States Design Patent**  
**Hubert**

(10) **Patent No.:** **US D893,896 S**

(45) **Date of Patent:** **\*\* Aug. 25, 2020**

(54) **CHAIR**

(71) Applicant: **Senator International Limited**,  
Accrington, Lancashire (GB)

(72) Inventor: **Benjamin Hubert**, London (GB)

(73) Assignee: **Senator International Limited**,  
Lancashire (GB)

(\*\*) Term: **15 Years**

(21) Appl. No.: **29/655,150**

(22) Filed: **Jun. 29, 2018**

(51) **LOC (12) Cl.** ..... **06-01**

(52) **U.S. Cl.**  
USPC ..... **D6/334**

(58) **Field of Classification Search**  
USPC ..... D6/334, 335, 349, 353, 354, 356, 360,  
D6/361, 362, 364, 365, 366, 374, 375,  
D6/379, 380, 381  
CPC .... A47C 4/02; A47C 4/04; A47C 4/52; A47C  
11/00; A47C 15/002; A47C 1/03; A47C  
7/002

See application file for complete search history.

(56) **References Cited**

**U.S. PATENT DOCUMENTS**

D179,036 S *	10/1956	Rothenstein	.....	A47C 4/02 D6/334
3,368,842 A *	2/1968	Polsky	.....	A47C 7/70 297/162
3,574,400 A *	4/1971	Day	.....	A47C 3/12 297/452.14
D226,648 S *	4/1973	Sebel et al.	.....	D6/375
D230,670 S *	3/1974	Begge	.....	D6/372
D320,510 S *	10/1991	Ivicevic	.....	D6/334
D333,739 S *	3/1993	Yeh	.....	D6/379
D343,965 S *	2/1994	Werner	.....	D6/375
D346,283 S *	4/1994	Kolberg	.....	D6/374

D417,795 S *	12/1999	Rashid	.....	D6/375
D502,613 S *	3/2005	Piretti	.....	A47C 7/405 D6/374
D607,654 S *	1/2010	Fewchuk	.....	D6/374
D667,243 S *	9/2012	Su	.....	D6/716
D709,710 S *	7/2014	Ye	.....	D6/375
D724,859 S *	3/2015	Young	.....	D6/379
D726,434 S *	4/2015	Ye	.....	D6/379
D741,615 S *	10/2015	Morrison	.....	D6/375
D742,132 S *	11/2015	Morrison	.....	D6/375
D743,711 S *	11/2015	Lissoni	.....	D6/375
D746,609 S *	1/2016	Lievore	.....	D6/375
D796,861 S *	9/2017	Tran	.....	D6/375
D799,233 S *	10/2017	Cvek	.....	D6/375

(Continued)

**OTHER PUBLICATIONS**

Eames Molded Plastic Chairs, circa 1950, found on Jan. 27, 2020 at <https://www.hermanmiller.com/products/seating/side-chairs/eames-molded-plastic-chairs/>.\*

(Continued)

*Primary Examiner* — Karen S Acker

(74) *Attorney, Agent, or Firm* — Florek & Endres PLLC

(57) **CLAIM**

The ornamental design for a chair, as shown and described.

**DESCRIPTION**

FIG. 1 is a perspective view of the chair of the present invention.

FIG. 2 is a first side elevation of the chair of FIG. 1.

FIG. 3 is a second side elevation of the chair of FIG. 1.

FIG. 4 is a front elevation of the chair of FIG. 1.

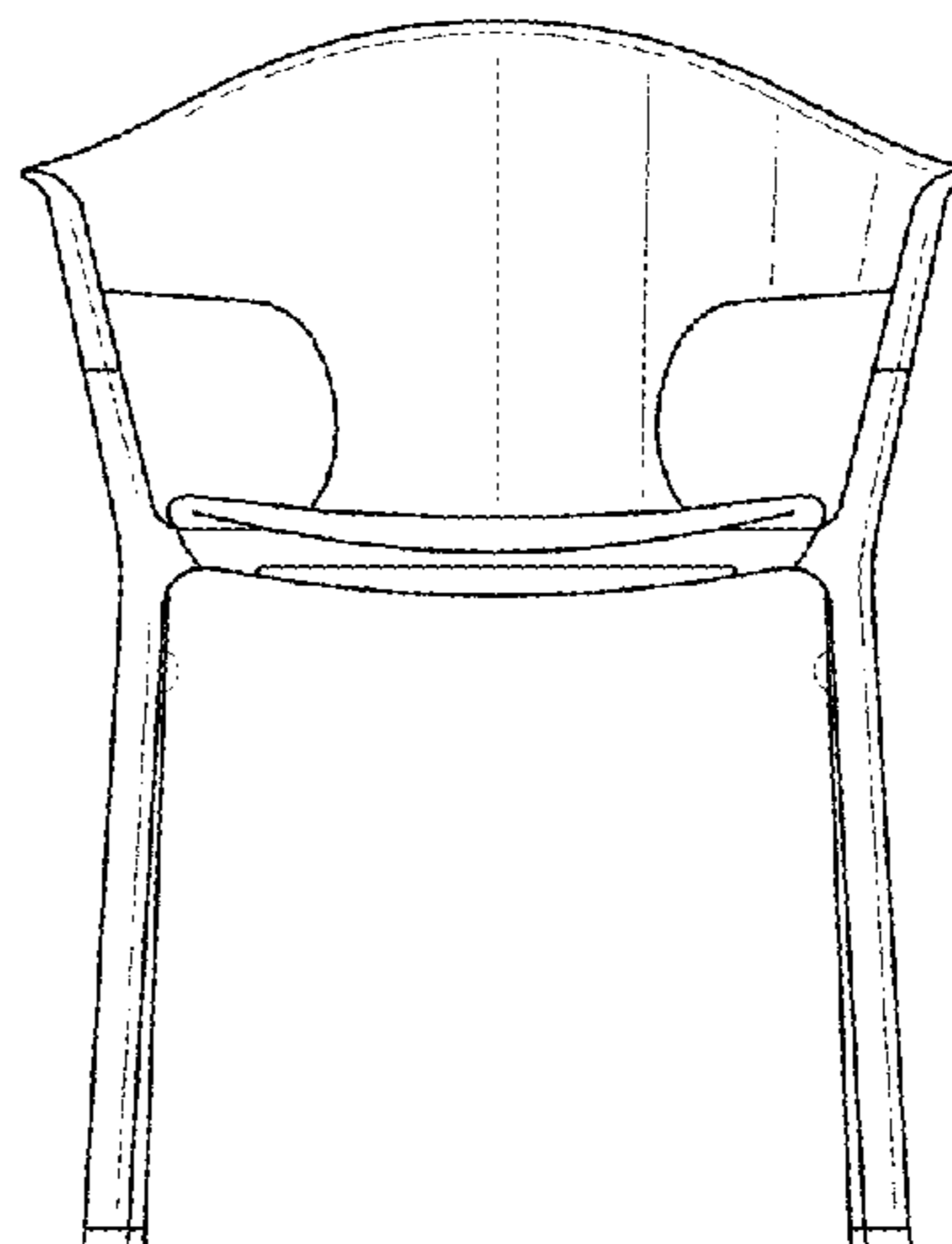
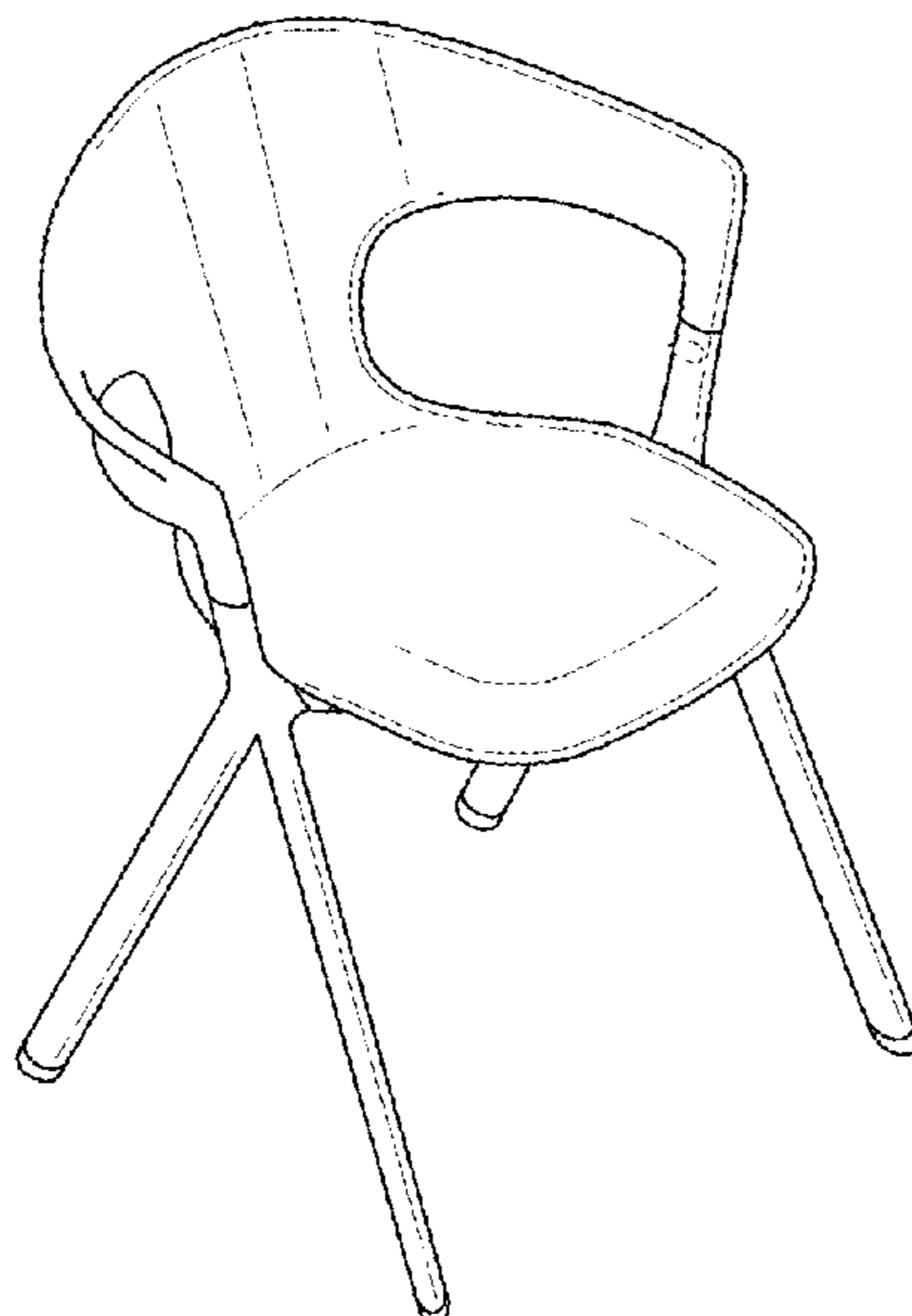
FIG. 5 is a rear elevation of the chair of FIG. 1.

FIG. 6 is a top view of the chair of FIG. 1; and,

FIG. 7 is a bottom view of the chair of FIG. 1.

The broken lines in the drawings depict portions of the chair that form no part of the claimed design.

**1 Claim, 4 Drawing Sheets**



(56)

**References Cited**

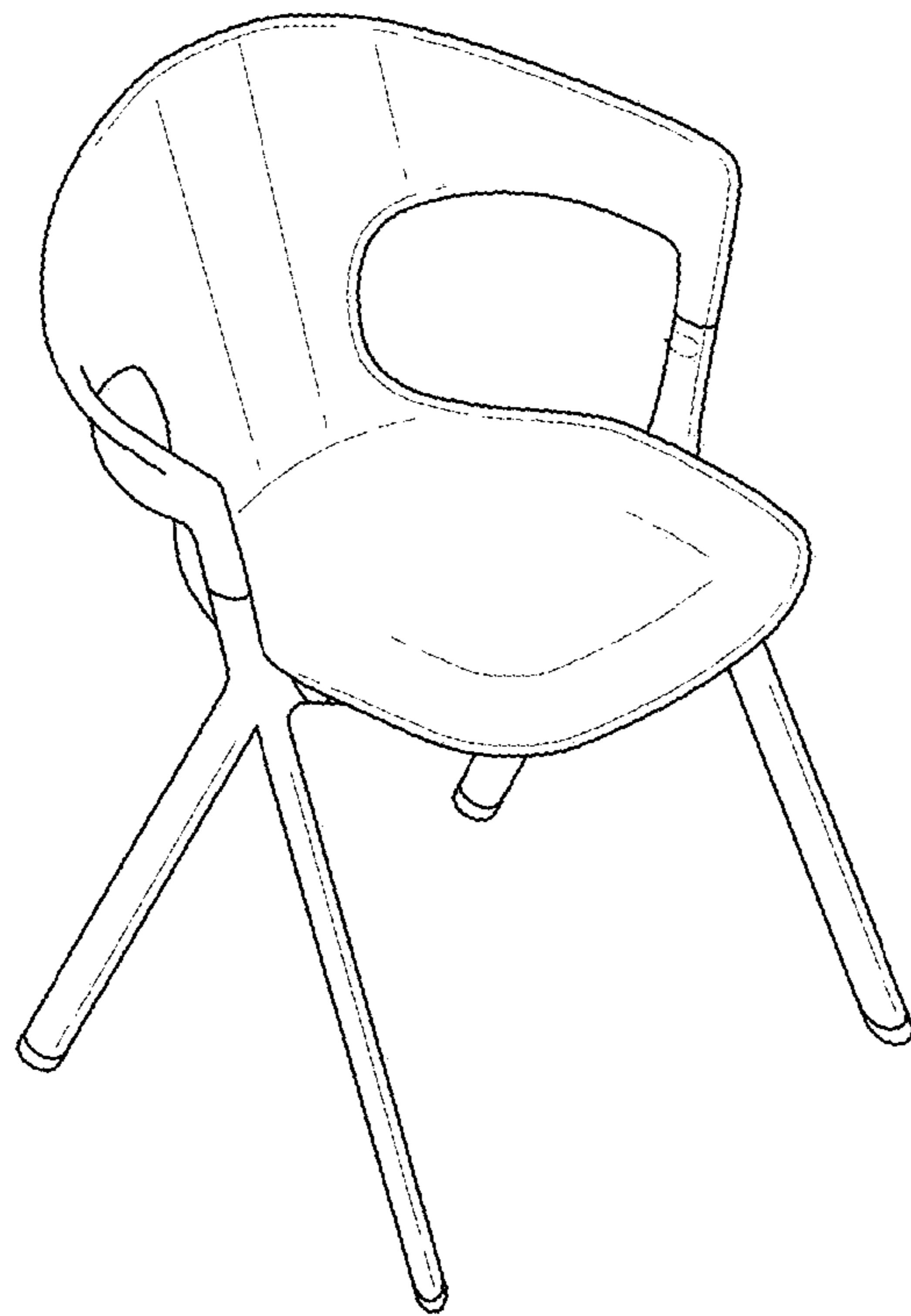
U.S. PATENT DOCUMENTS

D825,216	S	*	8/2018	Schaeffer	.....	D6/375
D845,660	S	*	4/2019	Bray	.....	A47C 3/12
						D6/375
D869,188	S	*	12/2019	Parker	.....	D6/375
2010/0109414	A1	*	5/2010	Chiang	.....	A47C 4/02
						297/440.11

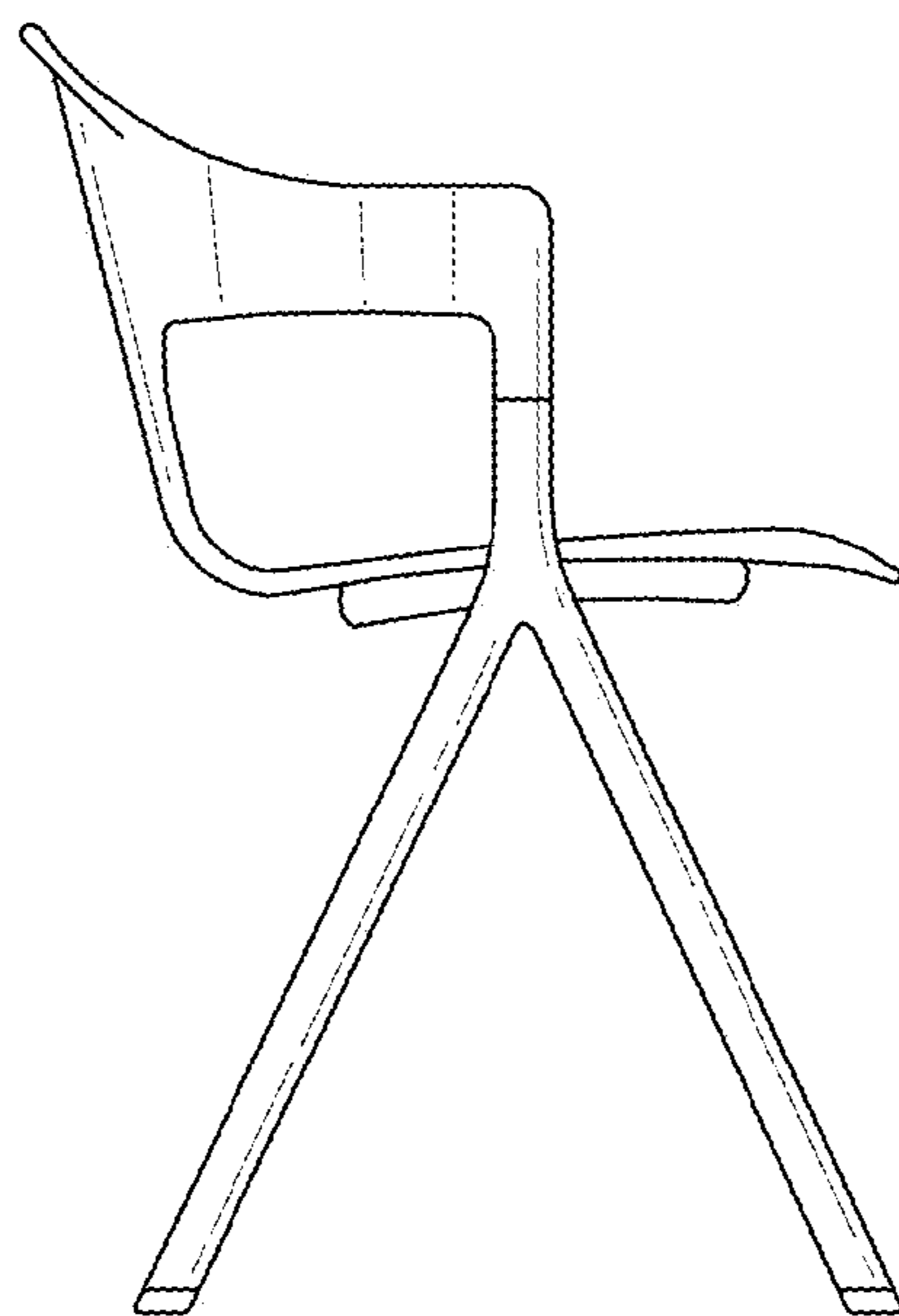
OTHER PUBLICATIONS

Odger Chair, date unknown, found on Jan. 27, 2020 at <https://www.ikea.com/us/en/p/odger-swivel-chair-white-beige-70308685/>.\*

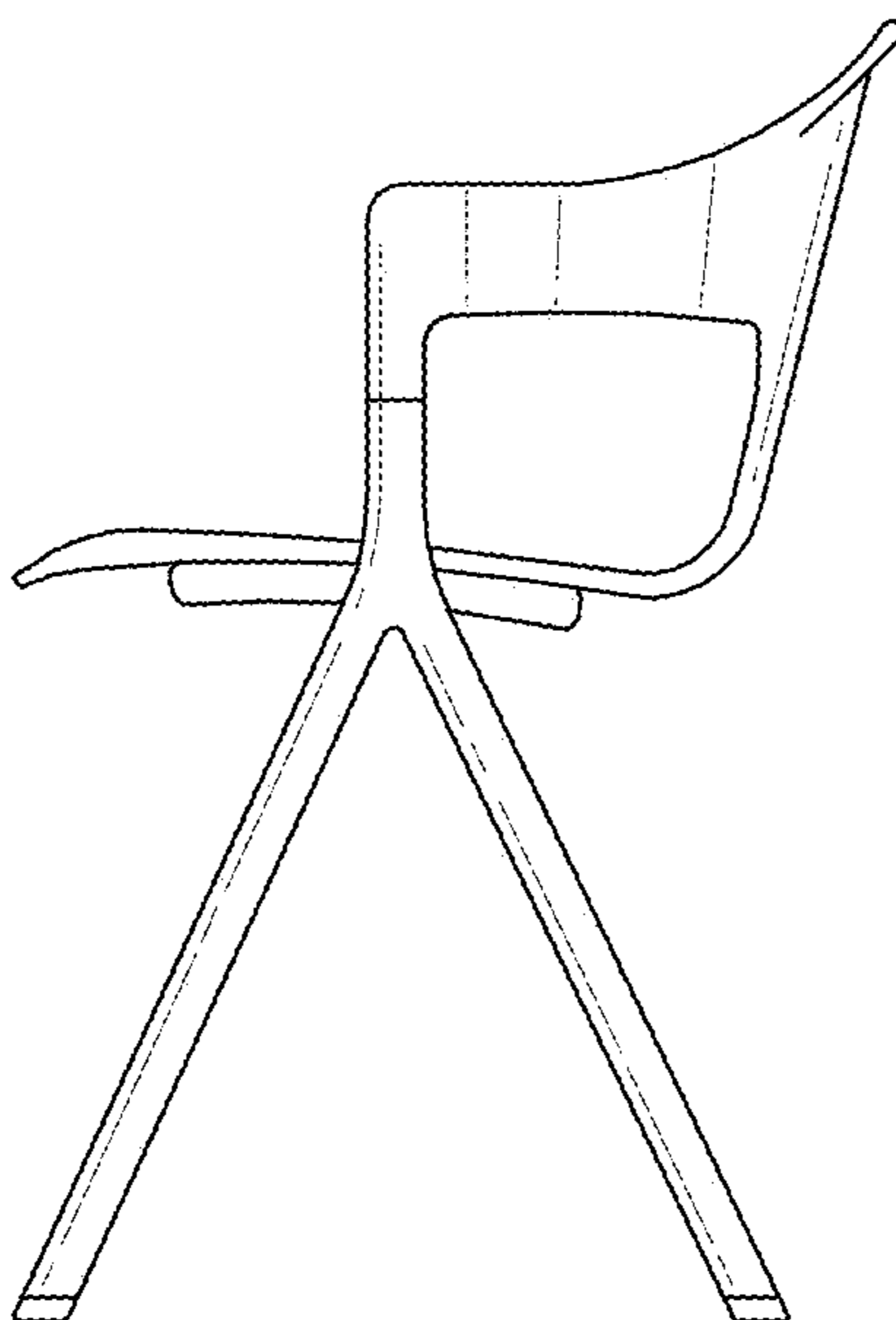
\* cited by examiner



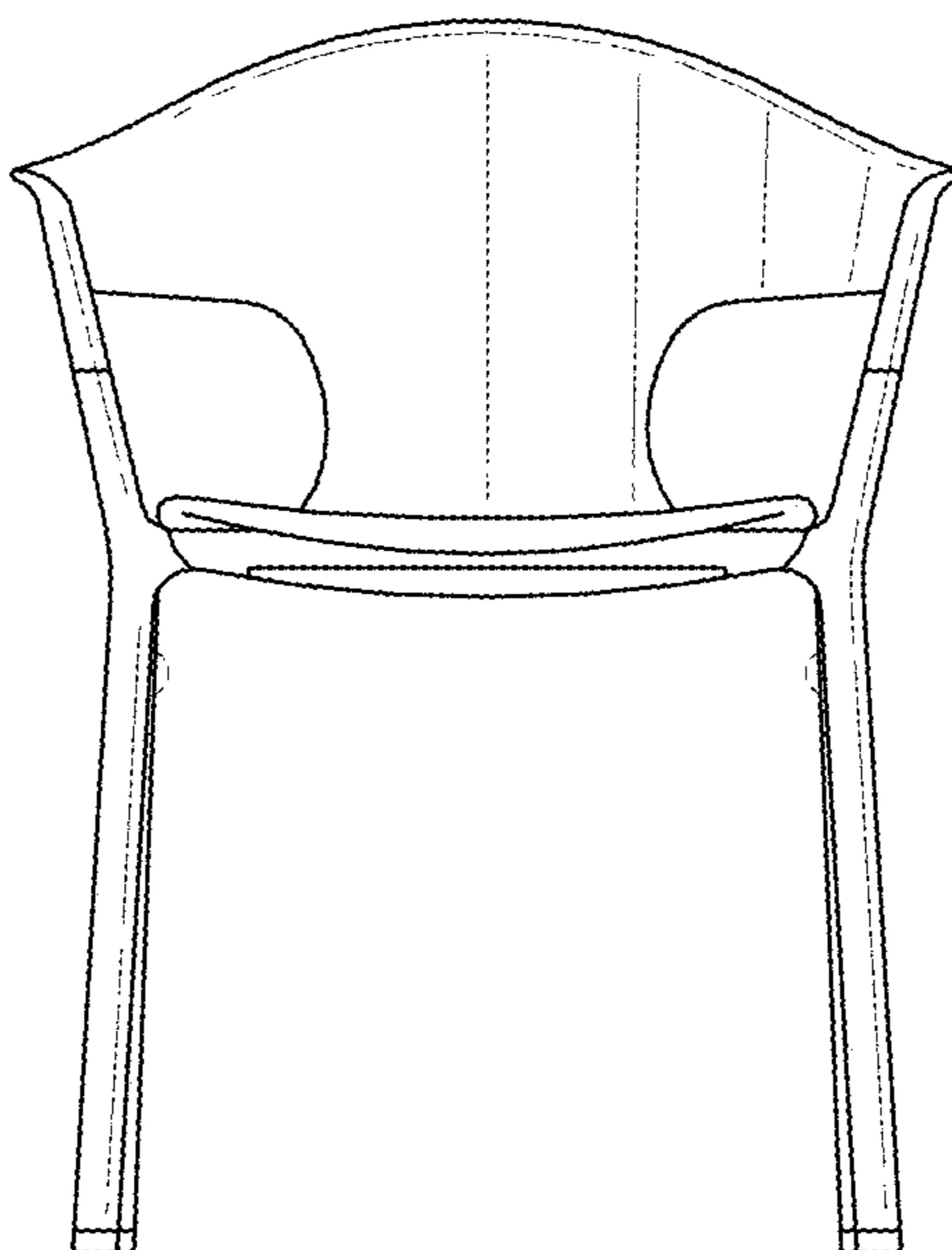
*FIG. 1*



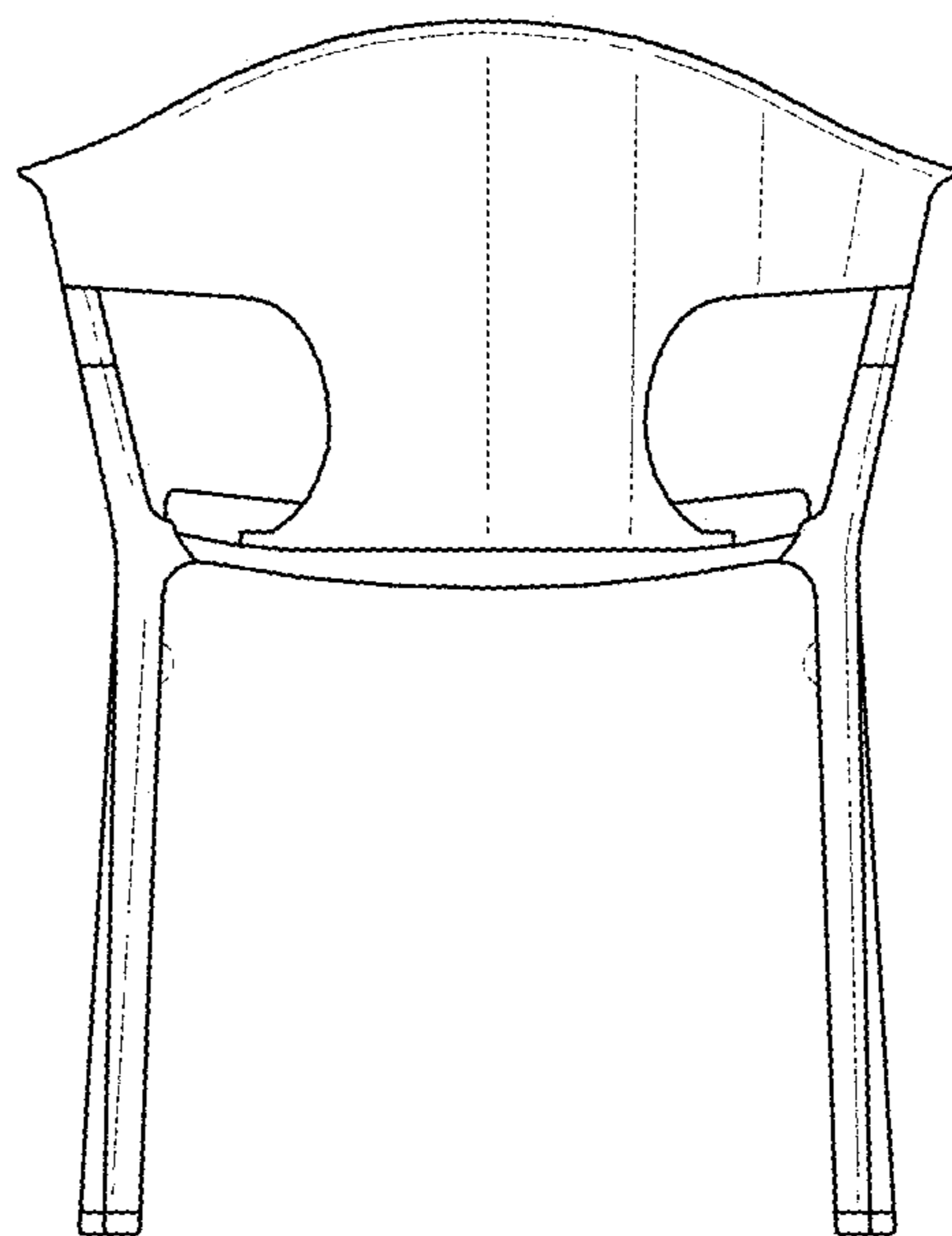
*FIG. 2*



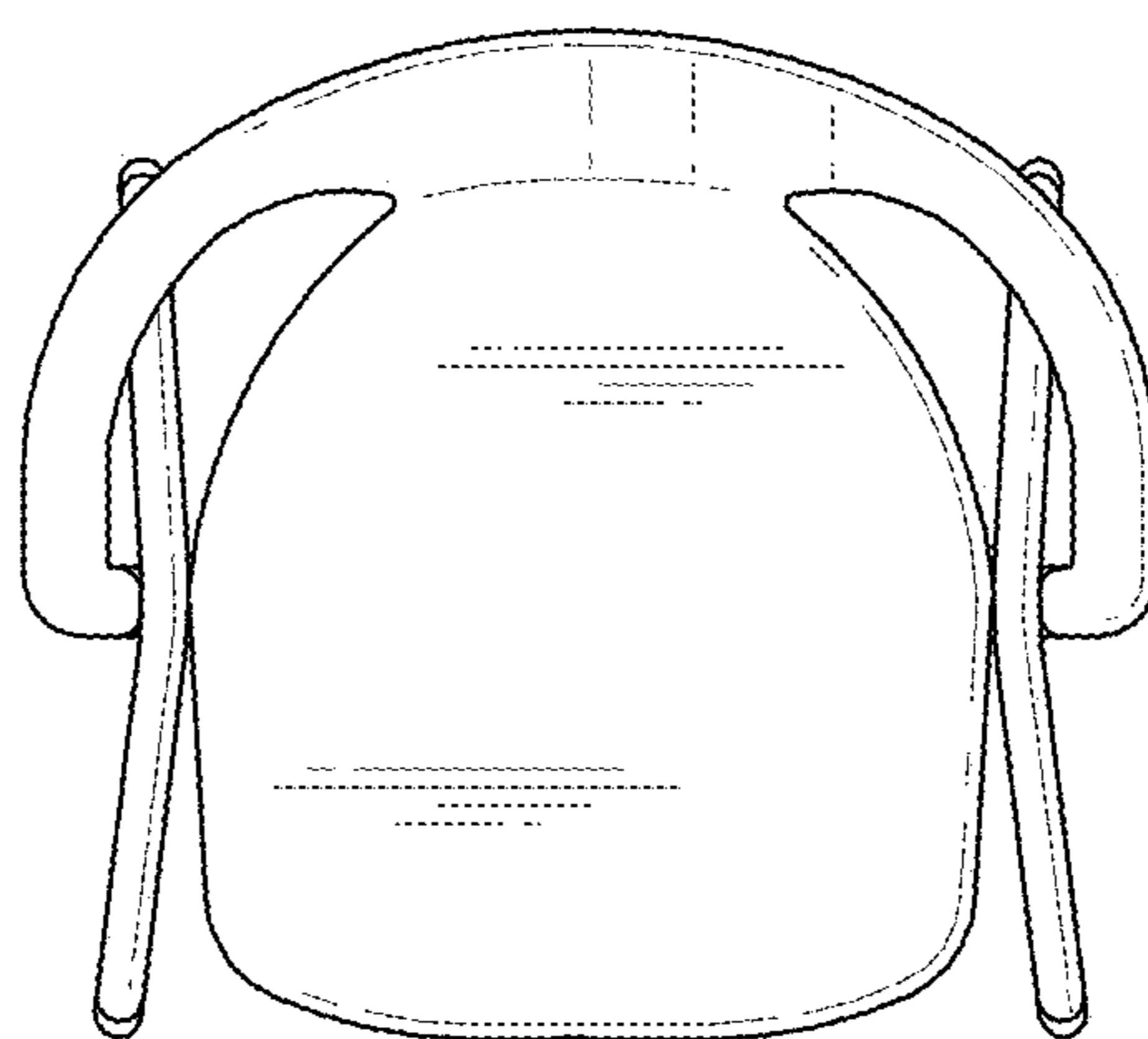
*FIG. 3*



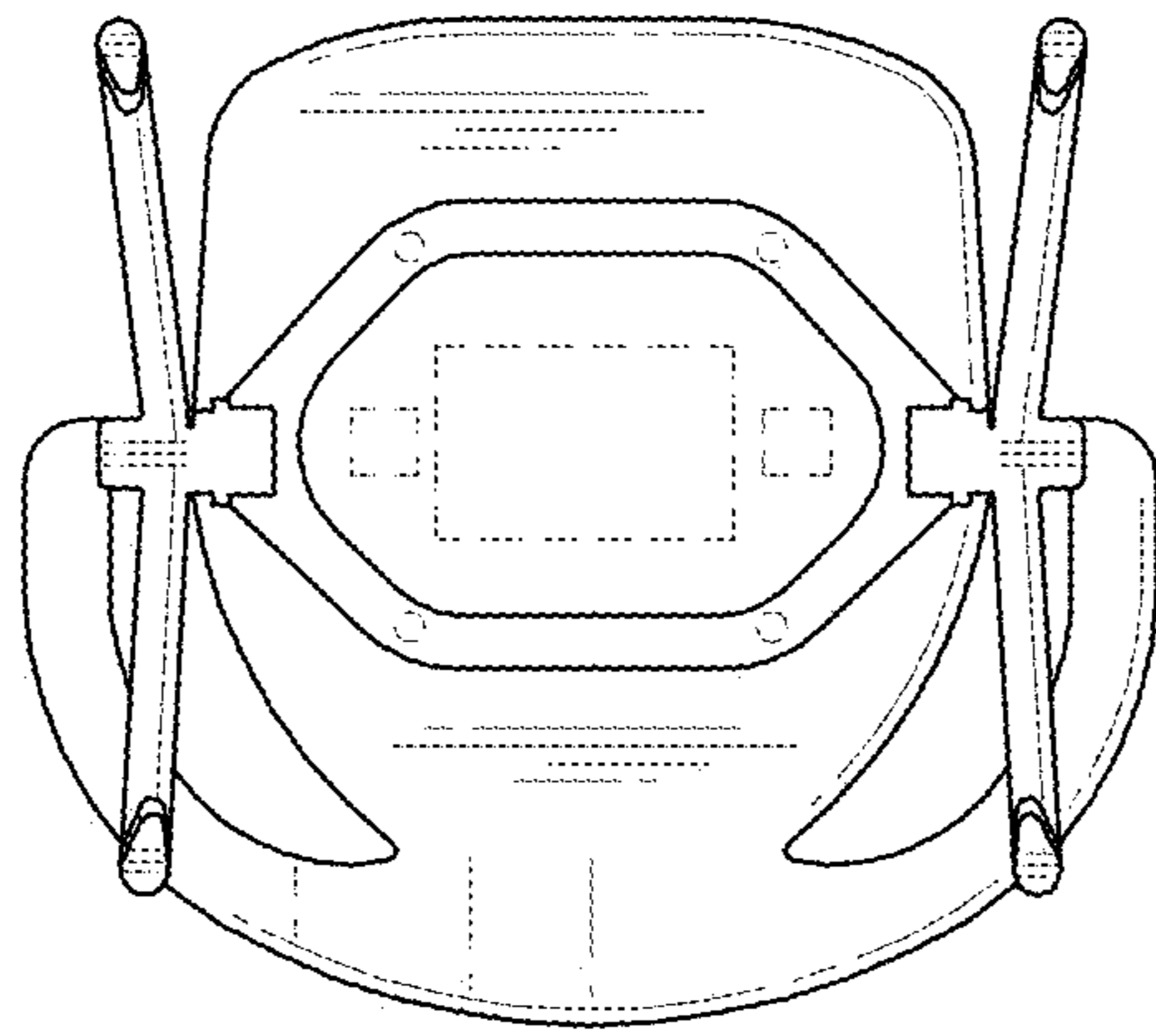
*FIG. 4*



*FIG. 5*



*FIG. 6*



*FIG. 7*