



US00D893894S

(12) **United States Design Patent**  
**Womble**

(10) **Patent No.:** **US D893,894 S**

(45) **Date of Patent:** **\*\* \*Aug. 25, 2020**

(54) **CLOTHING CLOSET ARM**

(71) Applicant: **Barbara B. Womble**, Dallas, TX (US)

(72) Inventor: **Barbara B. Womble**, Dallas, TX (US)

(\*) Notice: This patent is subject to a terminal disclaimer.

(\*\*) Term: **15 Years**

(21) Appl. No.: **29/578,381**

(22) Filed: **Sep. 21, 2016**

(51) **LOC (12) Cl.** ..... **06-08**

(52) **U.S. Cl.**  
USPC ..... **D6/327**

(58) **Field of Classification Search**  
USPC ..... D6/315-328, 513; 223/85-98; 211/10, 211/13.1, 85.3, 113, 119, 105.1, 105.3, 211/105.4, 123, 124  
CPC ..... A47G 25/28; A47G 25/38; A47G 25/14; A47G 25/442; A47G 25/483; A47G 25/485; A47G 25/4023; Y10S 223/04; A47F 5/0006; A47B 61/02; A47B 61/003; A47B 96/021  
See application file for complete search history.

(56) **References Cited**

**U.S. PATENT DOCUMENTS**

- 1,052,961 A \* 2/1913 Rangnow ..... A47B 61/02  
211/100
- 1,639,021 A \* 8/1927 Batts ..... A47B 61/003  
211/104
- 3,124,253 A \* 3/1964 Petrich ..... A47G 25/746  
211/94.01

- D235,831 S \* 7/1975 Kollitz ..... D6/327
- D236,053 S \* 7/1975 Friedberg ..... 211/96
- D243,978 S \* 4/1977 Lallement ..... D6/325
- D245,134 S \* 7/1977 Friedberg ..... D6/324
- D277,248 S \* 1/1985 Benedict ..... D6/324
- D278,106 S \* 3/1985 Green ..... D6/315
- 4,533,056 A \* 8/1985 Krikorian ..... A47F 5/13  
211/134
- 5,499,725 A \* 3/1996 Palumbo ..... A47K 3/001  
211/105.1
- D632,898 S \* 2/2011 Heroux ..... D6/327
- 2003/0071001 A1 \* 4/2003 Goldberg ..... A47G 25/0692  
211/123
- 2009/0294389 A1 \* 12/2009 Ward ..... A47B 61/02  
211/105.5
- 2012/0305610 A1 \* 12/2012 Womble ..... A47G 25/28  
223/85

\* cited by examiner

*Primary Examiner* — Lauren R Calve

(74) *Attorney, Agent, or Firm* — Carrington, Coleman, Sroman & Blumenthal, L.L.P.

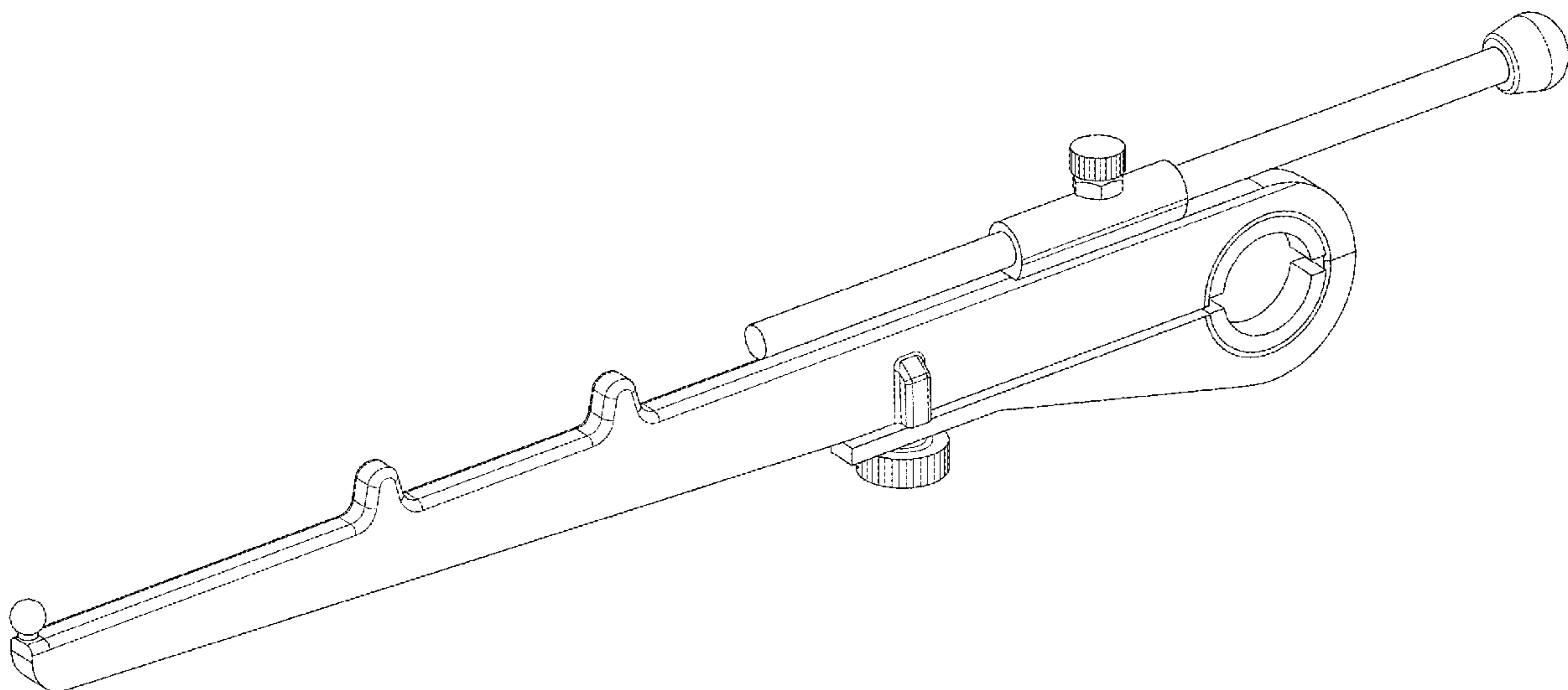
(57) **CLAIM**

The ornamental design for a clothing closet arm, as shown and described.

**DESCRIPTION**

FIG. 1 is a side view of a closet arm according to the present application;  
FIG. 2 is back view thereof;  
FIG. 3 is bottom view thereof;  
FIG. 4 is an opposite side view thereof;  
FIG. 5 is top view thereof;  
FIG. 6 is a perspective view thereof; and,  
FIG. 7 is a second perspective view thereof.

**1 Claim, 5 Drawing Sheets**



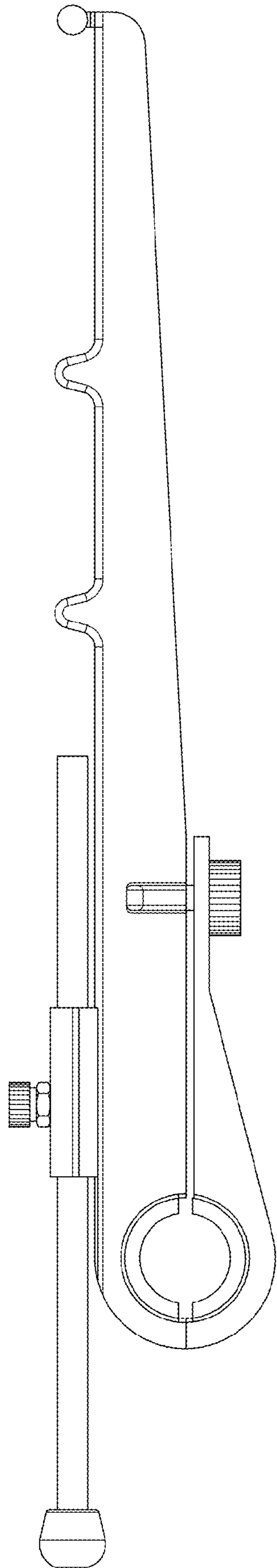


FIG. 1

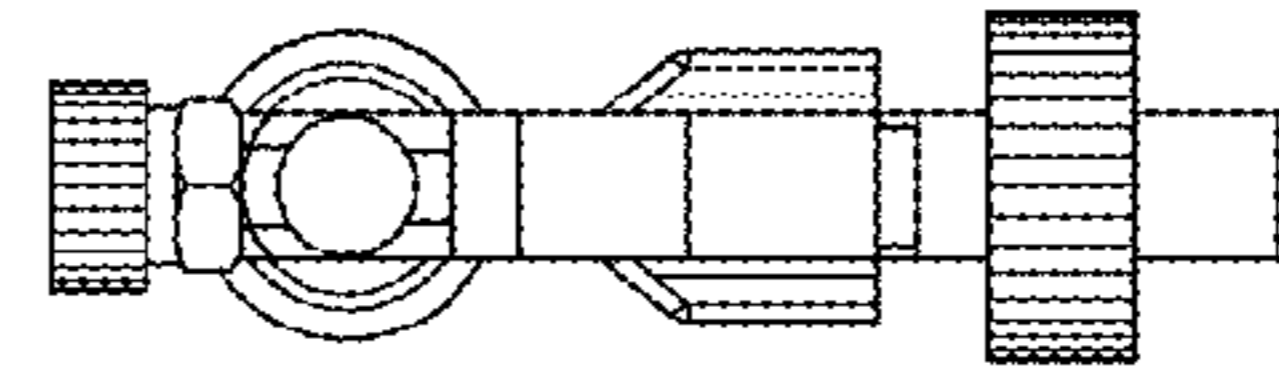


FIG. 2

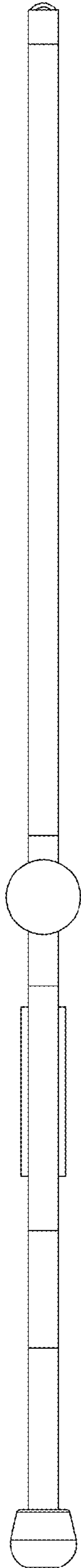


FIG. 3

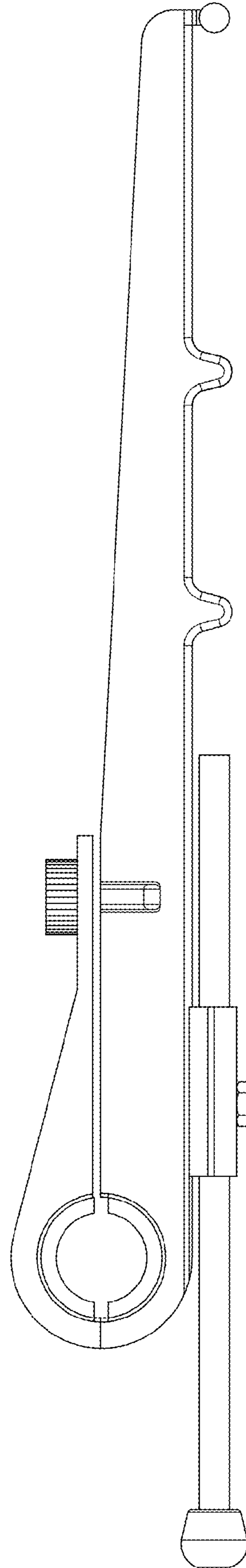


FIG. 4

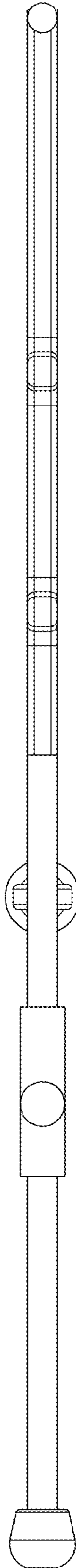


FIG. 5

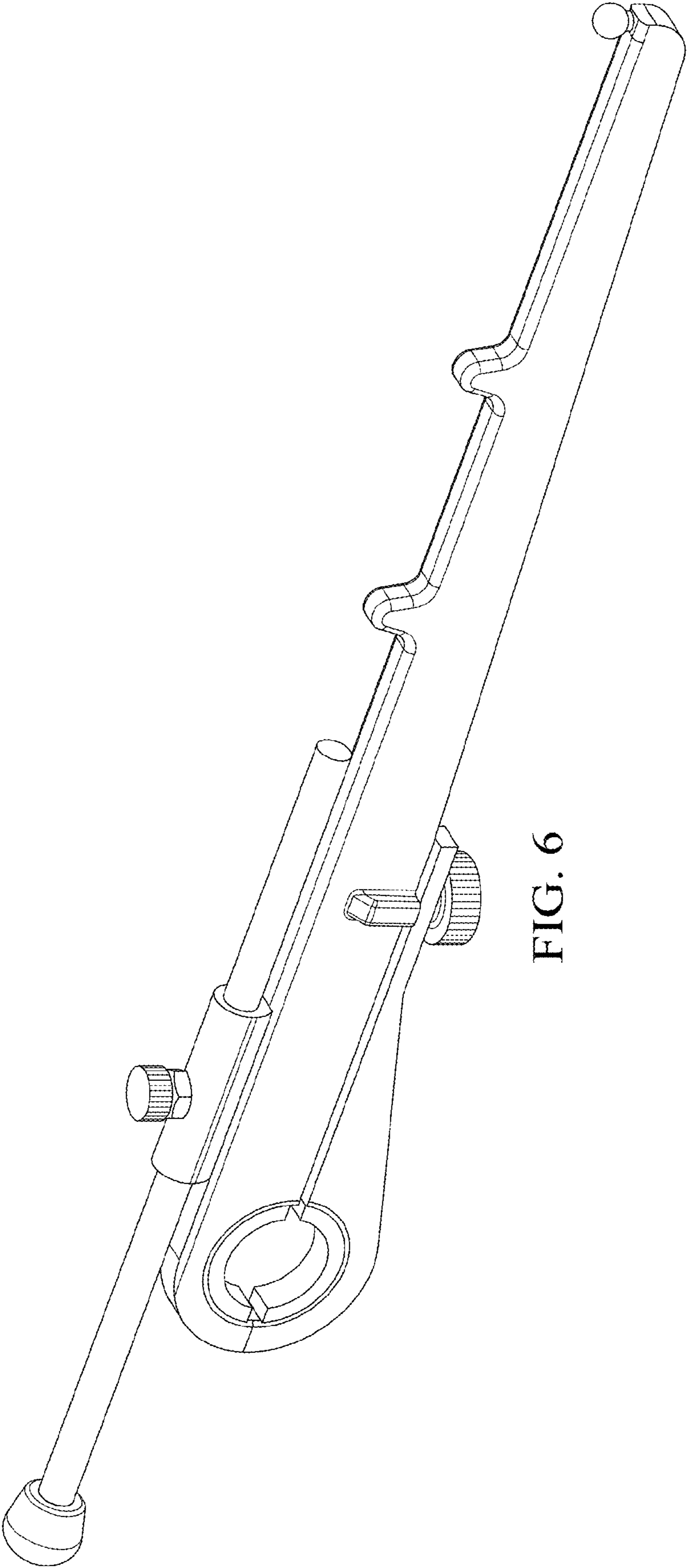


FIG. 6

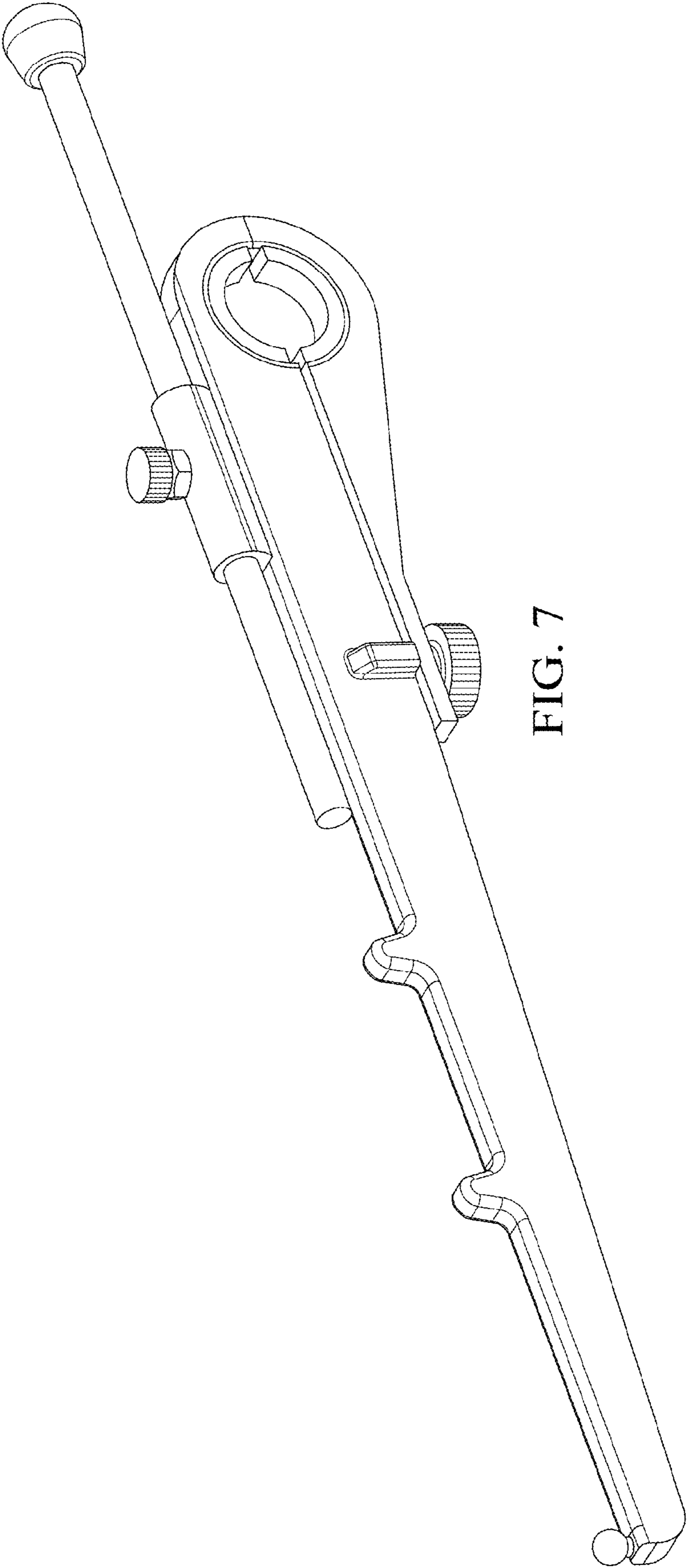


FIG. 7