



US00D893892S

(12) **United States Design Patent**  
**Rajasekaran et al.**

(10) **Patent No.:** **US D893,892 S**

(45) **Date of Patent:** **\*\* Aug. 25, 2020**

- (54) **MIRROR WITH BASE**
- (71) Applicant: **E. MISHAN & SONS, INC.**, New York, NY (US)
- (72) Inventors: **Mohan Rajasekaran**, Bristol, CT (US); **Isaac Mishan**, New York, NY (US)
- (73) Assignee: **E. MISHAN & SONS, INC.**, New York, NY (US)
- (\*\*) Term: **15 Years**
- (21) Appl. No.: **29/699,515**
- (22) Filed: **Jul. 26, 2019**
- (51) **LOC (12) Cl.** ..... **06-07**
- (52) **U.S. Cl.**  
USPC ..... **D6/310; D6/309**
- (58) **Field of Classification Search**  
USPC ..... **D6/300-314**  
CPC ..... **A45D 42/00; A45D 42/24; A45D 42/14; A45D 42/16; A45D 42/10; A45D 42/08; F21V 21/0965; F21V 21/30; F21V 33/004; A47G 1/00; A47G 1/06; A47G 1/0616; A47G 1/14; A47G 1/141**  
See application file for complete search history.

D496,759 S	9/2004	Rodriguez	
D504,780 S	5/2005	Pitot	
D509,369 S *	9/2005	Snell .....	D6/310
D524,469 S	7/2006	Pitot et al.	
D530,523 S	10/2006	Pitot et al.	
D532,981 S	12/2006	Zadro	
D546,564 S	7/2007	Lo	
D546,567 S	7/2007	Bhavnani	
D549,968 S	9/2007	Pitot et al.	
D554,802 S	11/2007	Pitot	
D558,988 S	1/2008	Gibson	
D562,571 S	2/2008	Pitot	
D573,799 S	7/2008	Pitot	
D589,267 S	3/2009	Pitot	
D625,930 S	10/2010	Merica	
D649,790 S	12/2011	Pitot	
D652,220 S	1/2012	Pitot	
D657,576 S	4/2012	Pitot	
D679,101 S	4/2013	Pitot	
D701,050 S *	3/2014	Yang .....	D6/309
D707,454 S	6/2014	Pitot	

(Continued)

*Primary Examiner* — W. A. Teddy Falloway  
(74) *Attorney, Agent, or Firm* — Notaro, Michalos & Zaccaria P.C.

(57) **CLAIM**

The ornamental design for a mirror with base, as shown and described.

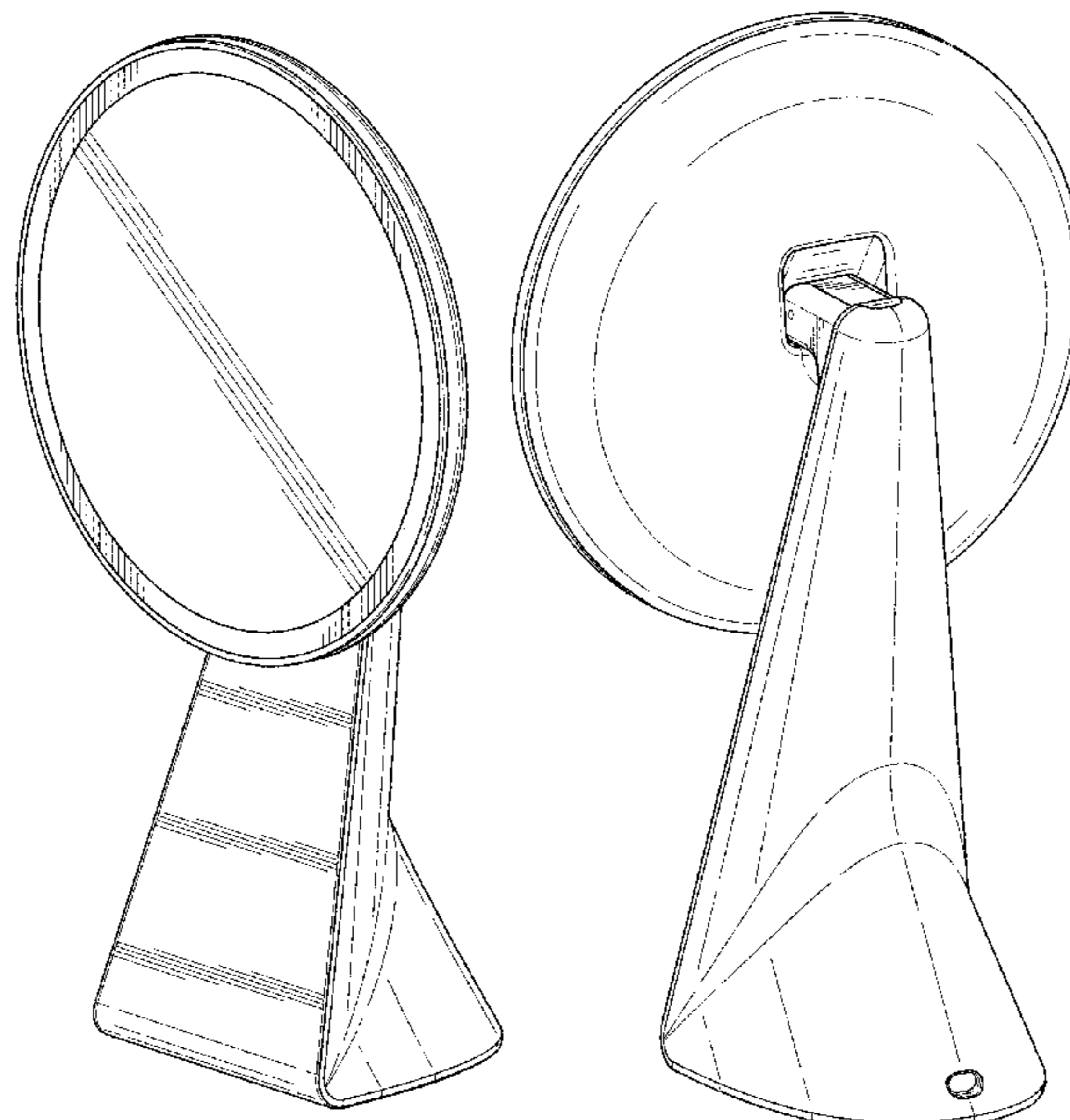
**DESCRIPTION**

FIG. 1 is a front, left, top perspective view of a mirror with base showing our design therefor;  
FIG. 2 is a rear, top, left elevational view thereof;  
FIG. 3 is a front elevational view thereof;  
FIG. 4 is a rear elevational view thereof;  
FIG. 5 is a right side elevational view thereof;  
FIG. 6 is a left side elevational view thereof;  
FIG. 7 is a top plan view thereof; and,  
FIG. 8 is a bottom plan view thereof.

**1 Claim, 7 Drawing Sheets**

(56) **References Cited**  
U.S. PATENT DOCUMENTS

D226,248 S	1/1973	Krusche
D243,478 S	2/1977	Jones
D254,208 S	2/1980	Breslow
D334,667 S	4/1993	Lonczak
D336,721 S	6/1993	Froidevaux
D338,342 S	8/1993	Froidevaux
D409,003 S	5/1999	Scavini
D425,313 S	5/2000	Zadro
6,206,530 B1	3/2001	Eberts
D442,371 S	5/2001	Eberts
D454,701 S	3/2002	Eric



(56)

References Cited

U.S. PATENT DOCUMENTS

D727,630	S	4/2015	Zadro	
D730,065	S *	5/2015	Tsai .....	D6/310
D736,001	S	8/2015	Yang	
D737,060	S	8/2015	Yang	
D738,118	S	9/2015	Gyanendra	
D751,829	S	3/2016	Yang	
D754,446	S	4/2016	Yang	
D779,836	S *	2/2017	Bailey .....	D6/309
D793,099	S *	8/2017	Bailey .....	D14/172
D825,940	S *	8/2018	Liu .....	D6/309
D840,699	S *	2/2019	Xie .....	D6/309
D846,288	S *	4/2019	Yang .....	D6/309
D871,084	S *	12/2019	Pestl .....	D6/309
D874,161	S *	2/2020	Yang .....	D6/309
D874,162	S *	2/2020	Greenwalt .....	D6/310
D877,522	S *	3/2020	Boehm .....	D6/309
D879,481	S *	3/2020	Yang .....	D6/309
D879,482	S *	3/2020	Yang .....	D6/309
D880,774	S *	4/2020	Babayan .....	D28/64.6
D882,280	S *	4/2020	Yang .....	D6/309
2005/0068646	A1 *	3/2005	Lev .....	A45D 42/24 359/871
2019/0003699	A1 *	1/2019	Mondora .....	A45D 42/10

\* cited by examiner

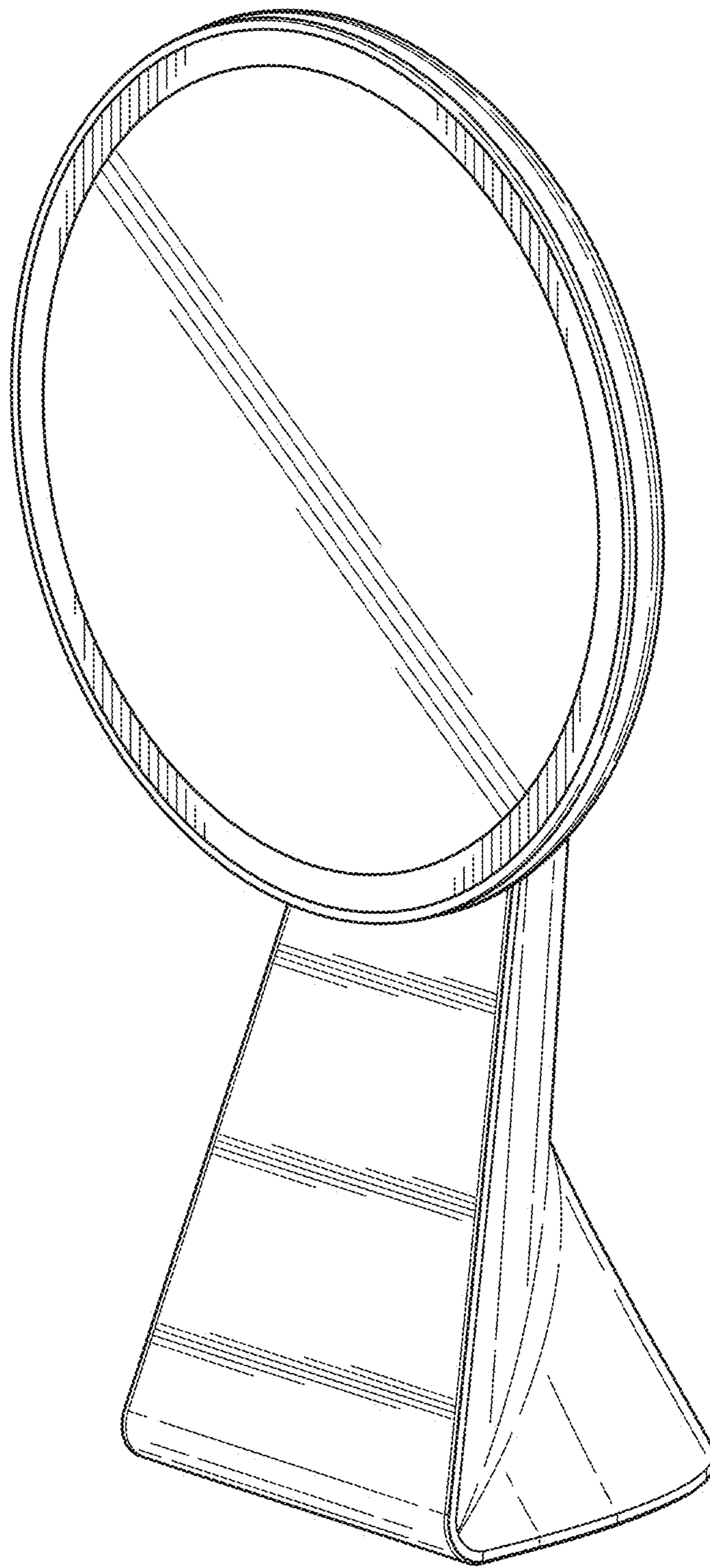


FIG. 1

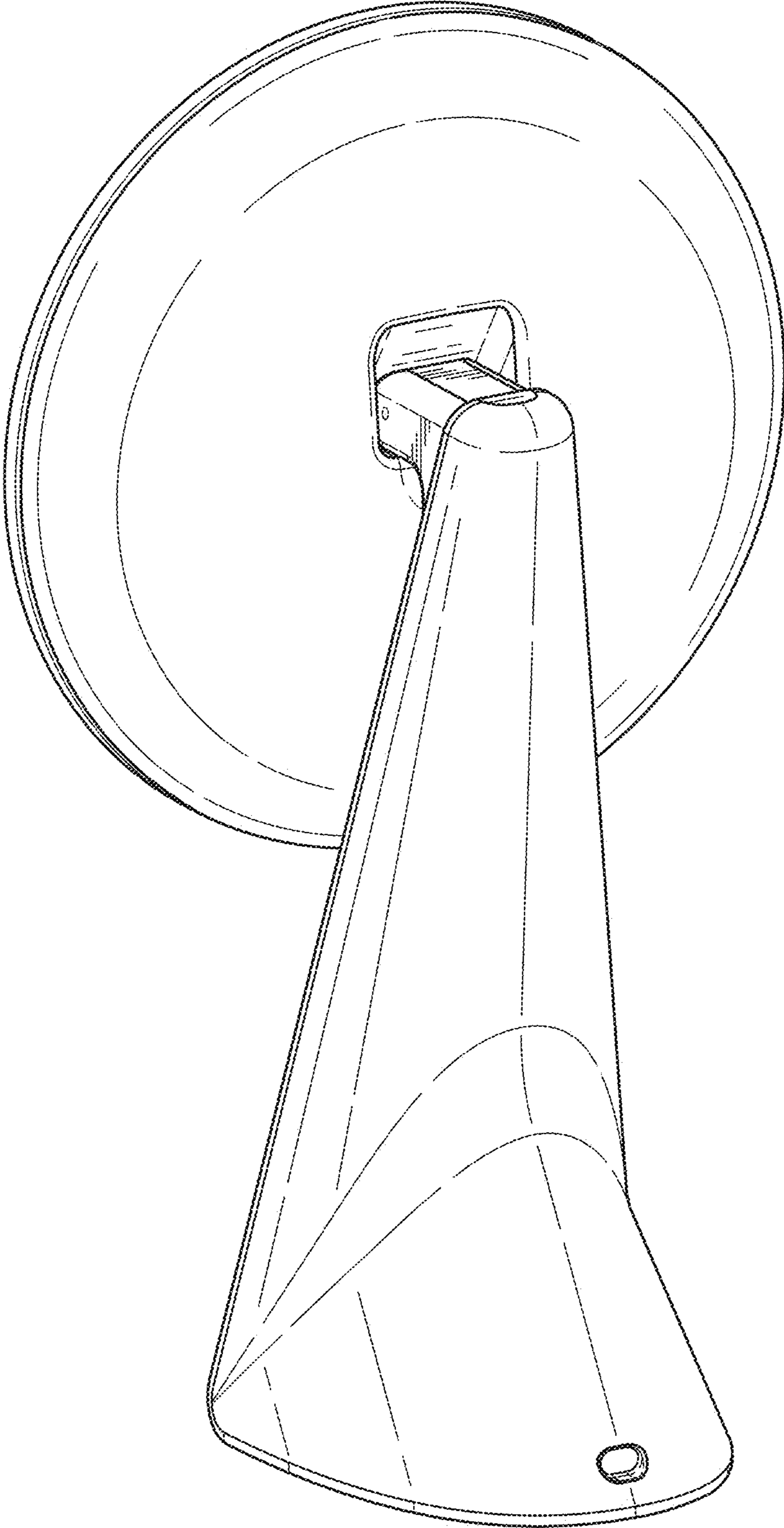


FIG. 2



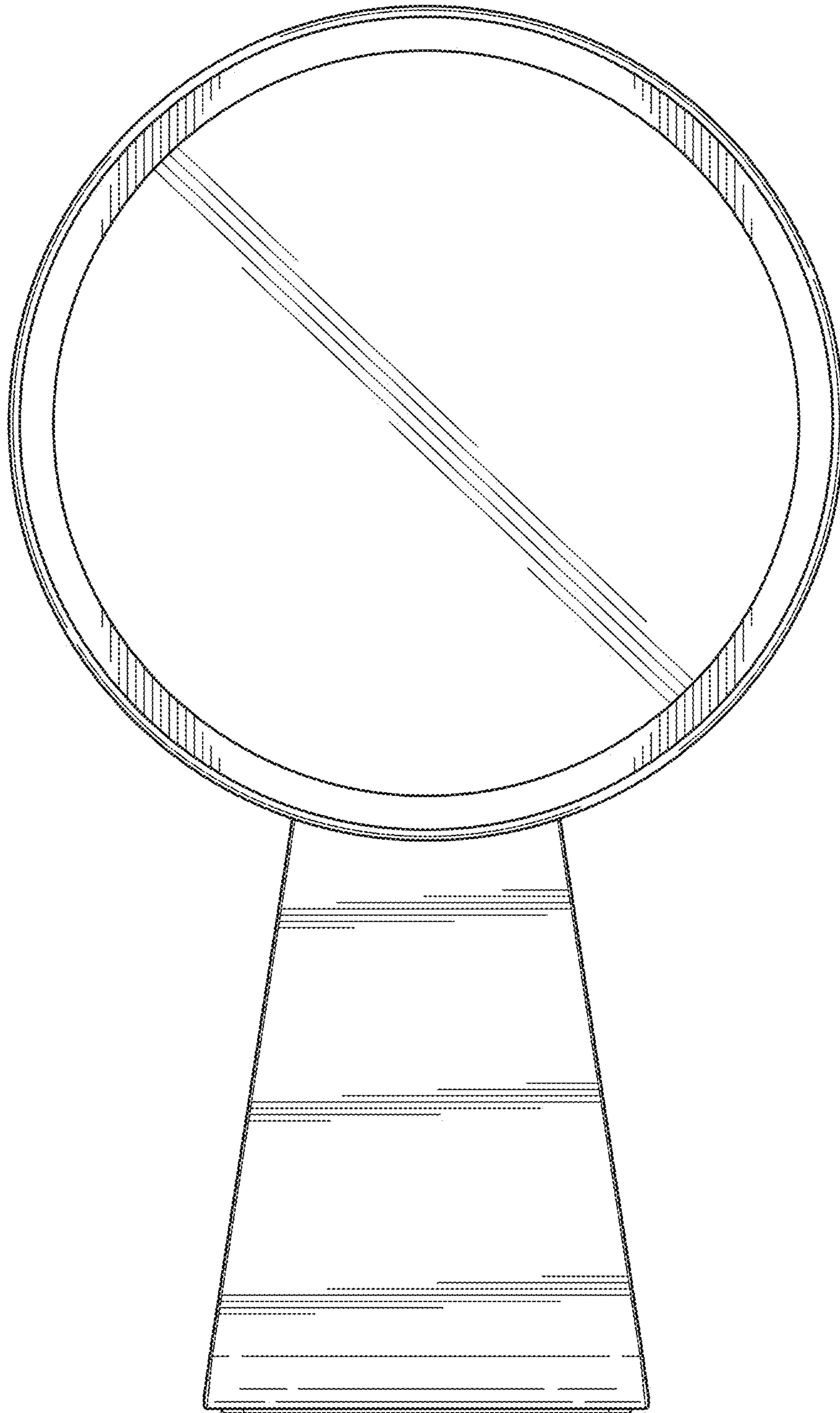


FIG. 3

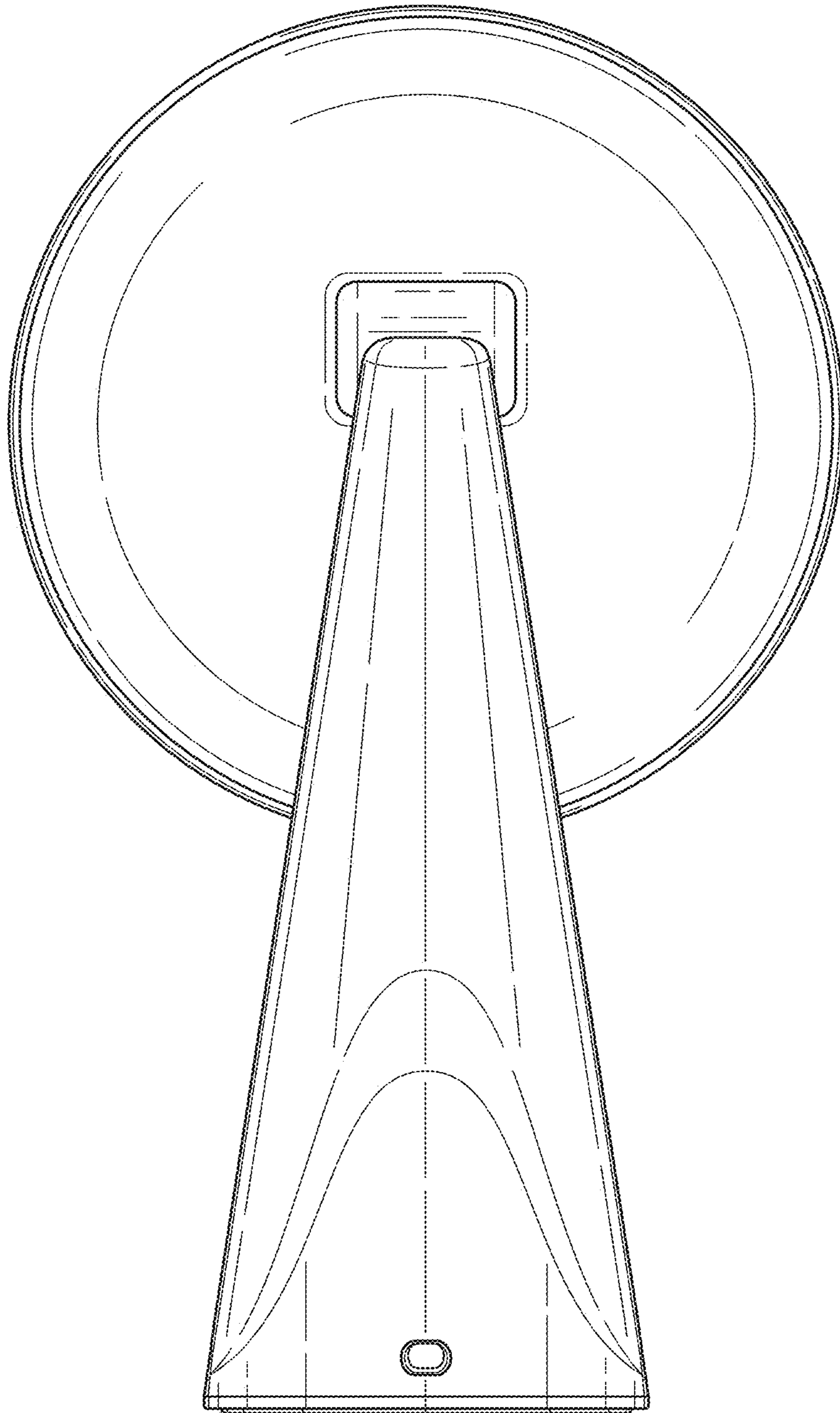


FIG. 4

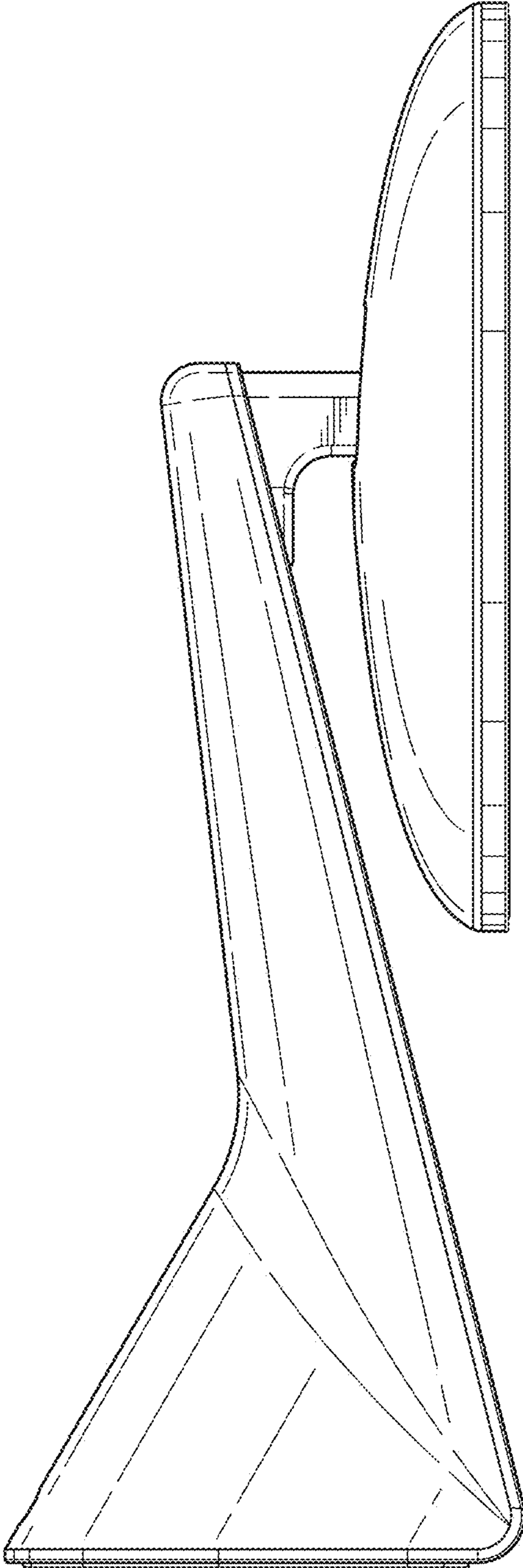


FIG. 5

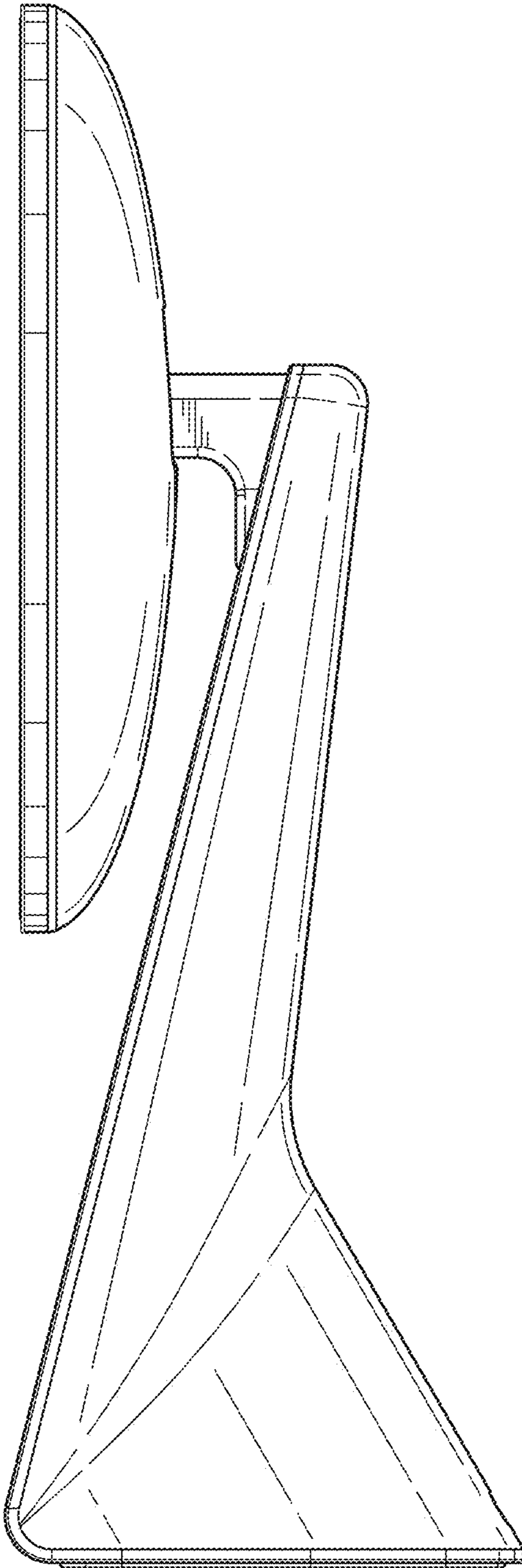


FIG. 6



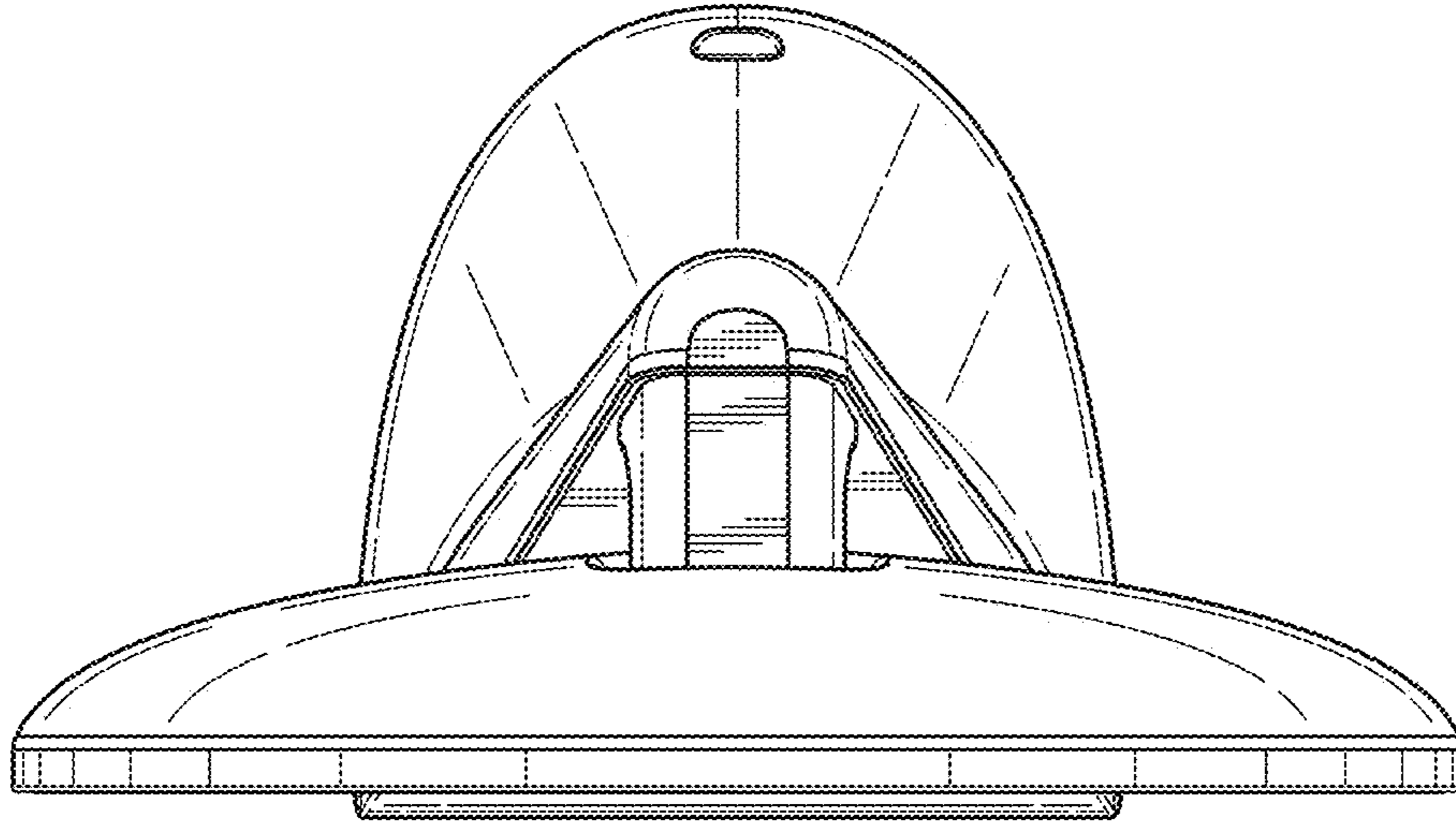


FIG. 7

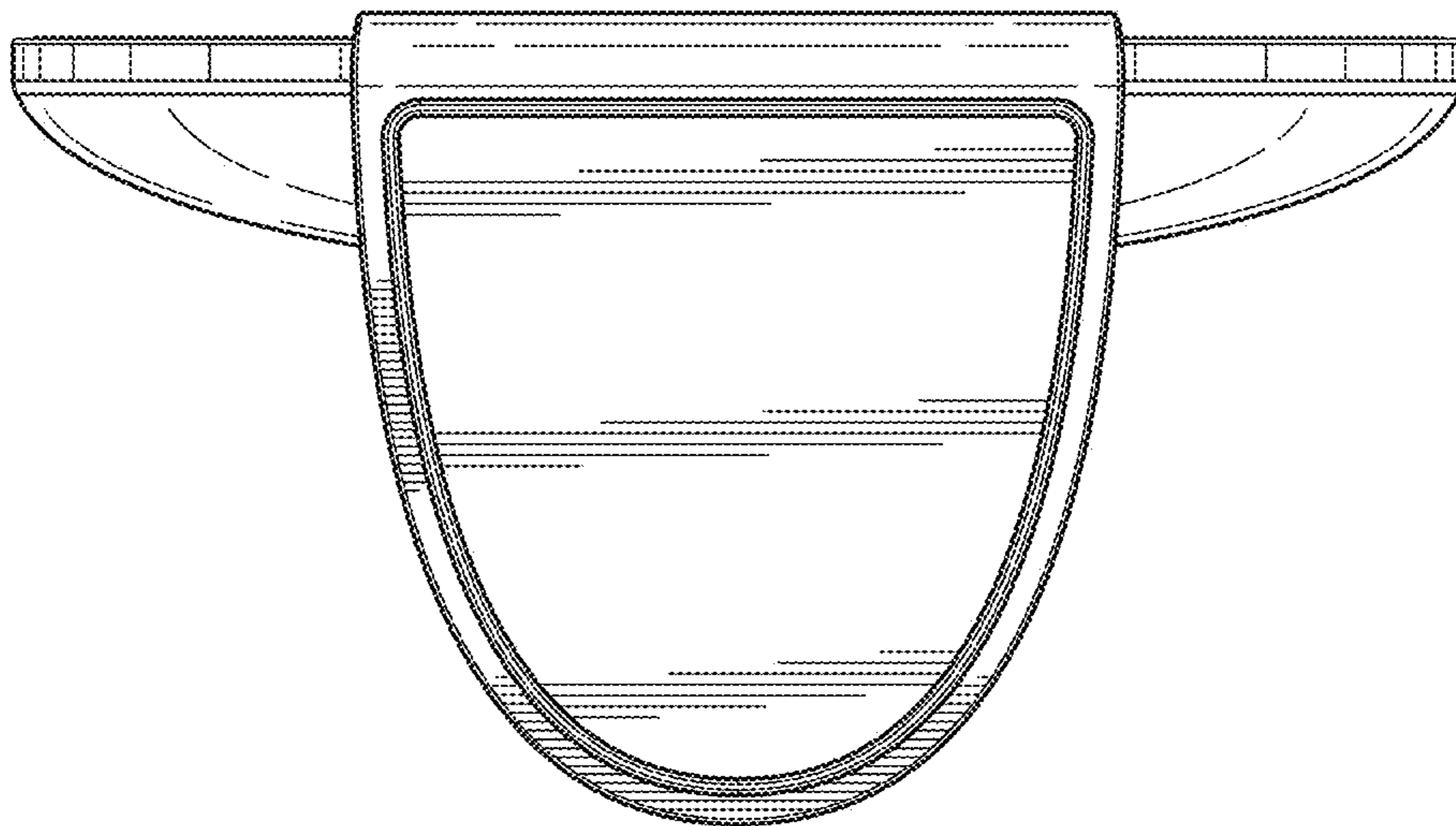


FIG. 8