



US00D893891S

(12) **United States Design Patent** (10) **Patent No.:** **US D893,891 S**  
**Lin** (45) **Date of Patent:** **\*\* Aug. 25, 2020**

(54) **PICTURE FRAME**  
(71) Applicant: **Jason Chun Liang Lin**, Pasadena, CA (US)  
(72) Inventor: **Jason Chun Liang Lin**, Pasadena, CA (US)  
(\*\*) Term: **15 Years**  
(21) Appl. No.: **29/688,479**  
(22) Filed: **Apr. 22, 2019**  
(51) **LOC (12) Cl.** ..... **06-07**  
(52) **U.S. Cl.**  
USPC ..... **D6/301**  
(58) **Field of Classification Search**  
USPC ..... D6/300, 301, 302, 303, 304, 307, 308, D6/309, 310, 311, 312, 313, 314; D10/15, 21, 24; D20/10, 15, 40, 43  
CPC ..... A47G 1/0616; A47G 1/142; A47G 2001/0694; A47G 1/06; A47G 1/0605; A47G 1/0633; A47G 1/0638; A47G 1/0644; A47G 1/08; A47G 1/10; A47G 1/14; A47G 1/141; A47G 1/16; A47G 1/1606; A47G 1/1613; A47G 2001/0661; A47G 2001/0672; A47G 2001/0688; A47G 2001/148; G06F 1/1654  
See application file for complete search history.

D458,461 S \* 6/2002 Ragan-Masters ..... D6/301  
D461,962 S \* 8/2002 Ingolfsson ..... D6/314  
D495,184 S \* 8/2004 Houle ..... D6/311  
D505,018 S \* 5/2005 Stravitz ..... D6/300  
D846,891 S \* 4/2019 Doherty ..... D6/310

**OTHER PUBLICATIONS**

NIUBEE 4x6 Clear Acrylic Desktop Picture Frame, announced 2018 [online], [site visited Jul. 2, 2020]. Available from internet, URL: <[https://www.amazon.com/NIUBEE-Frameless-Plexiglass-Photography-Standoff/dp/B07BJ25G5B/ref=sr\\_1\\_38?dchild=1&keywords=clear%2Bphoto%2Bframe&qid=1593710869&sr=8-38&th=1](https://www.amazon.com/NIUBEE-Frameless-Plexiglass-Photography-Standoff/dp/B07BJ25G5B/ref=sr_1_38?dchild=1&keywords=clear%2Bphoto%2Bframe&qid=1593710869&sr=8-38&th=1)> (Year: 2018).\*  
NIUBEE 3 Opening 4x6 Collage Picture Frame, announced 2018 [online], [site visited Jul. 2, 2020]. Available from internet, URL: [https://www.amazon.com/NIUBEE-Floating-Frameless-Certificate-Frames-Double/dp/B0728J3VJ4/ref=sr\\_1\\_2?dchild=1&keywords=NIUBEE+3+Opening&qid=1593711522&sr=8-2](https://www.amazon.com/NIUBEE-Floating-Frameless-Certificate-Frames-Double/dp/B0728J3VJ4/ref=sr_1_2?dchild=1&keywords=NIUBEE+3+Opening&qid=1593711522&sr=8-2) (Year: 2018).\*

\* cited by examiner

*Primary Examiner* — Cynthia Ramirez  
*Assistant Examiner* — Xavier Marti-Santos  
(74) *Attorney, Agent, or Firm* — Law Office of Michael O'Brien; Michael O'Brien; Jack Fritz

(57) **CLAIM**

The ornamental design for a picture frame, as shown and described.

**DESCRIPTION**

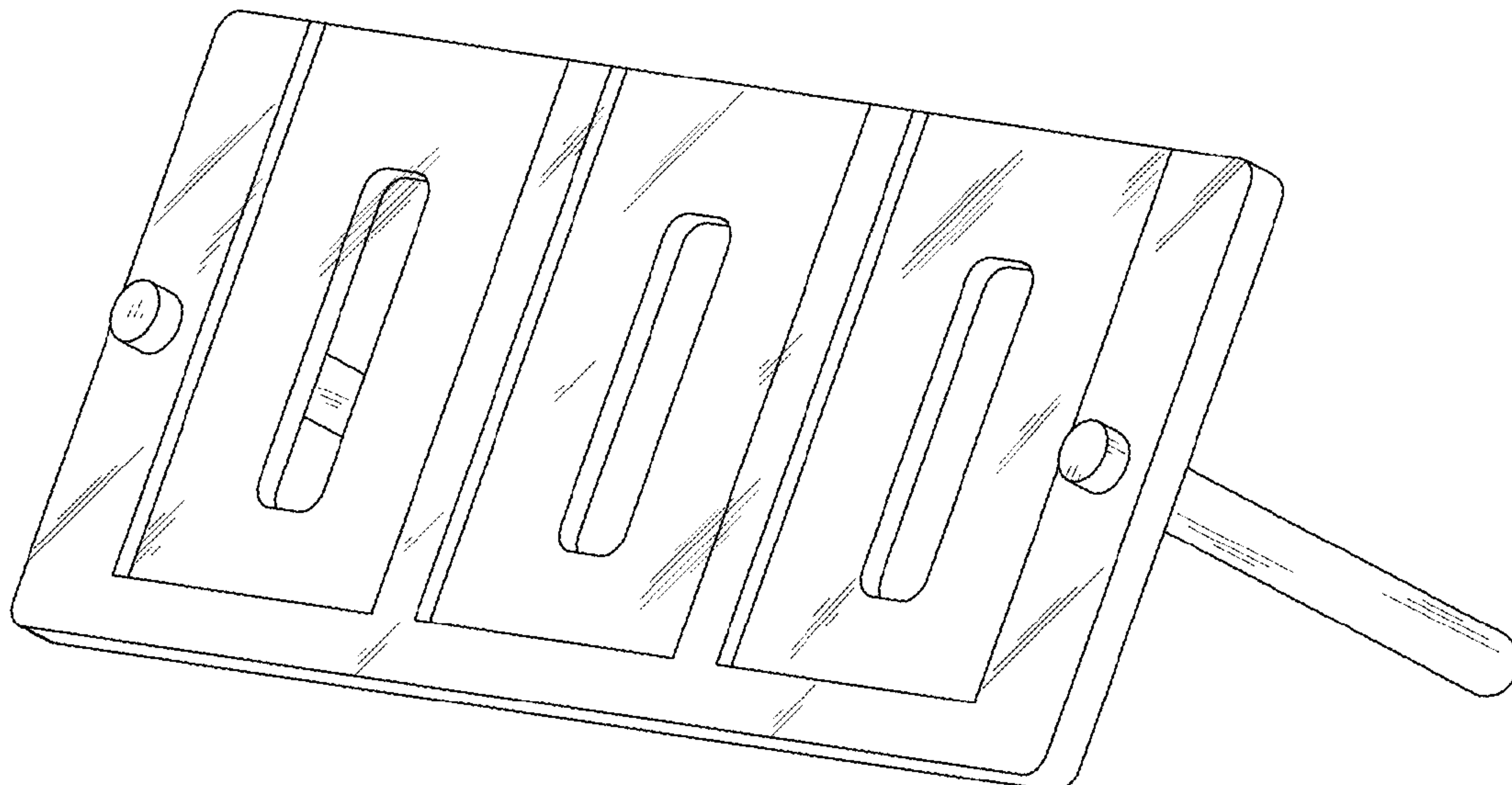
FIG. 1 is a front perspective view of a picture frame showing my new design;  
FIG. 2 is a bottom view thereof;  
FIG. 3 is a top view thereof;  
FIG. 4 is a front view thereof;  
FIG. 5 is a rear view thereof;  
FIG. 6 is a right side view thereof; and,  
FIG. 7 is a left side view thereof.

**1 Claim, 7 Drawing Sheets**

(56) **References Cited**

**U.S. PATENT DOCUMENTS**

D266,338 S \* 9/1982 Mandel ..... D20/43  
D306,143 S \* 2/1990 Leung ..... D10/15  
D328,473 S \* 8/1992 Mayden ..... D20/40  
D335,394 S \* 5/1993 Chamlian ..... D6/300  
D352,176 S \* 11/1994 McMillan ..... D6/302  
D367,560 S \* 3/1996 Kwan ..... D30/101  
5,502,907 A \* 4/1996 Wang ..... A47G 1/14  
248/455  
D432,795 S \* 10/2000 Block ..... D6/300



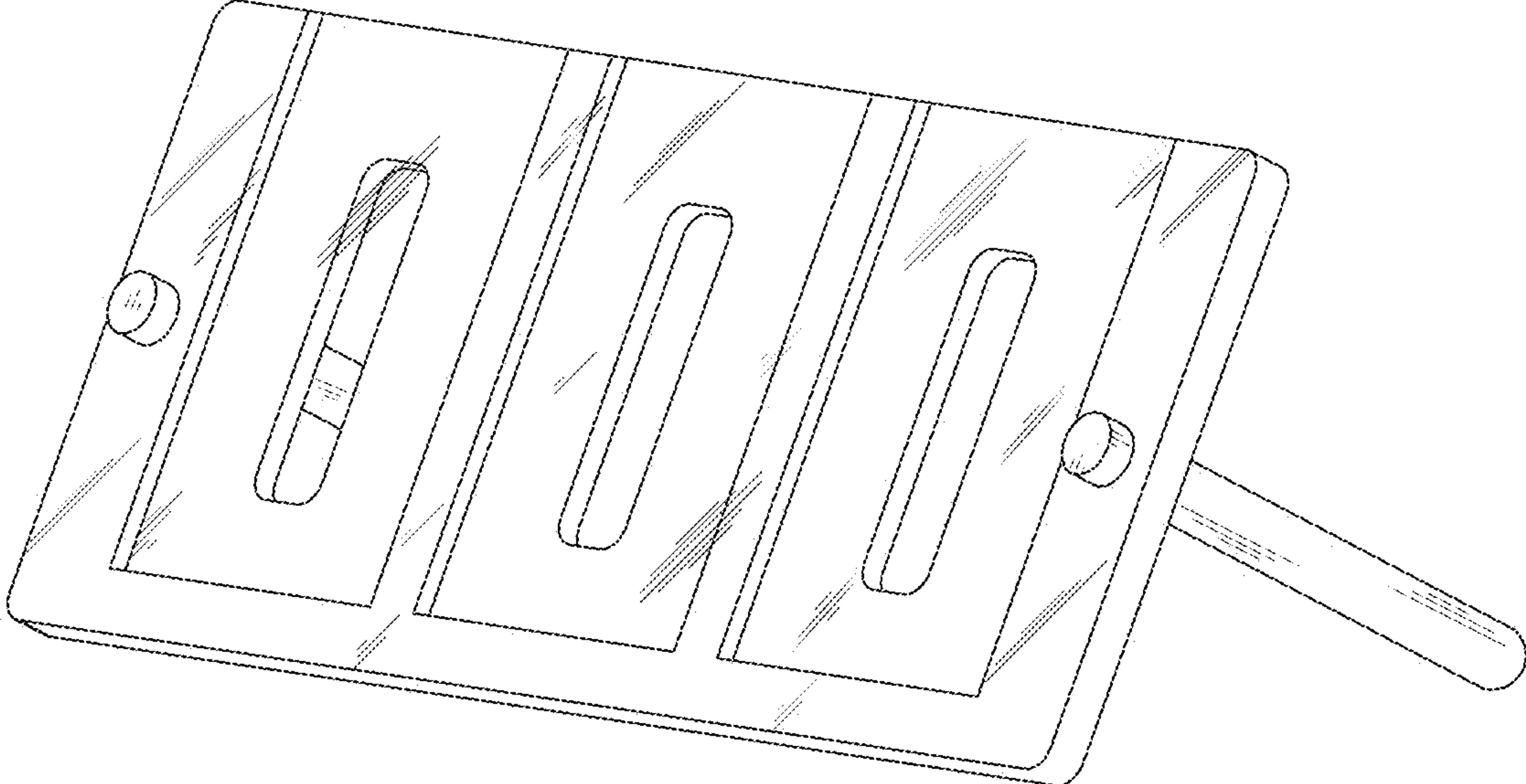


FIG. 1

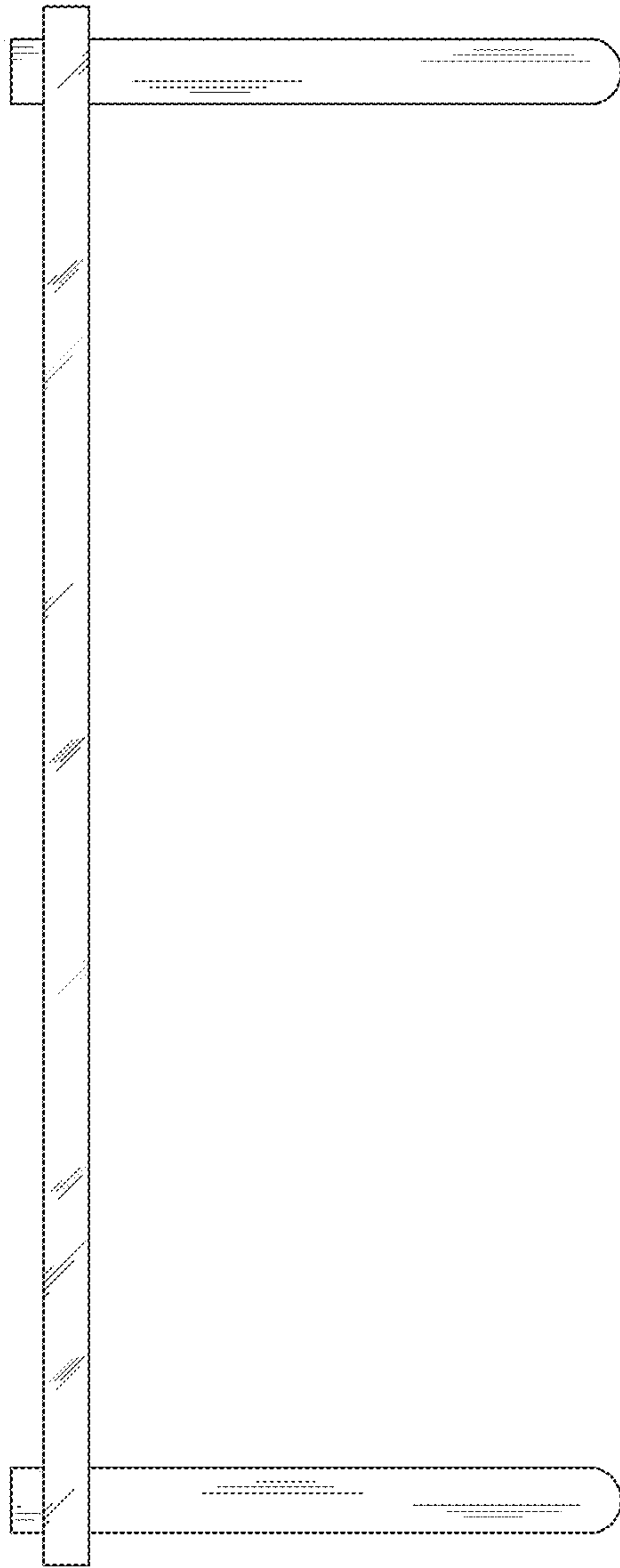


FIG. 2

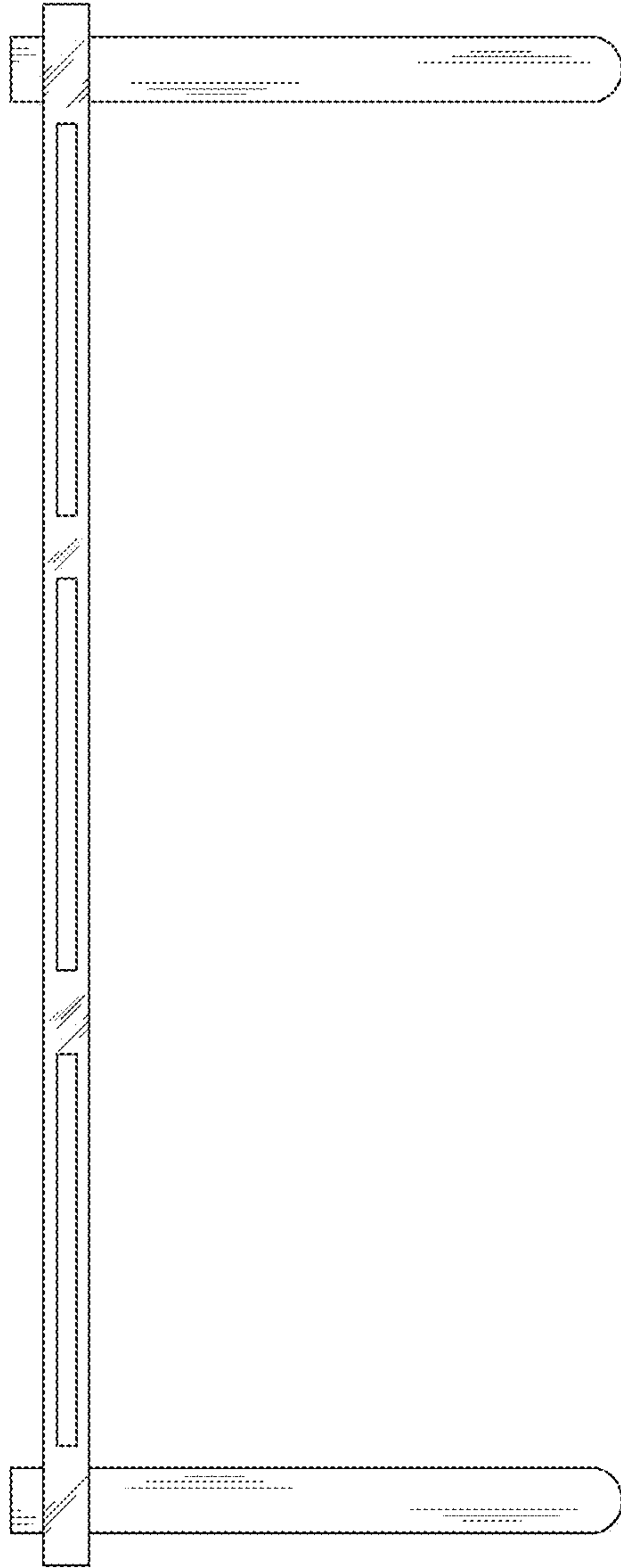


FIG. 3

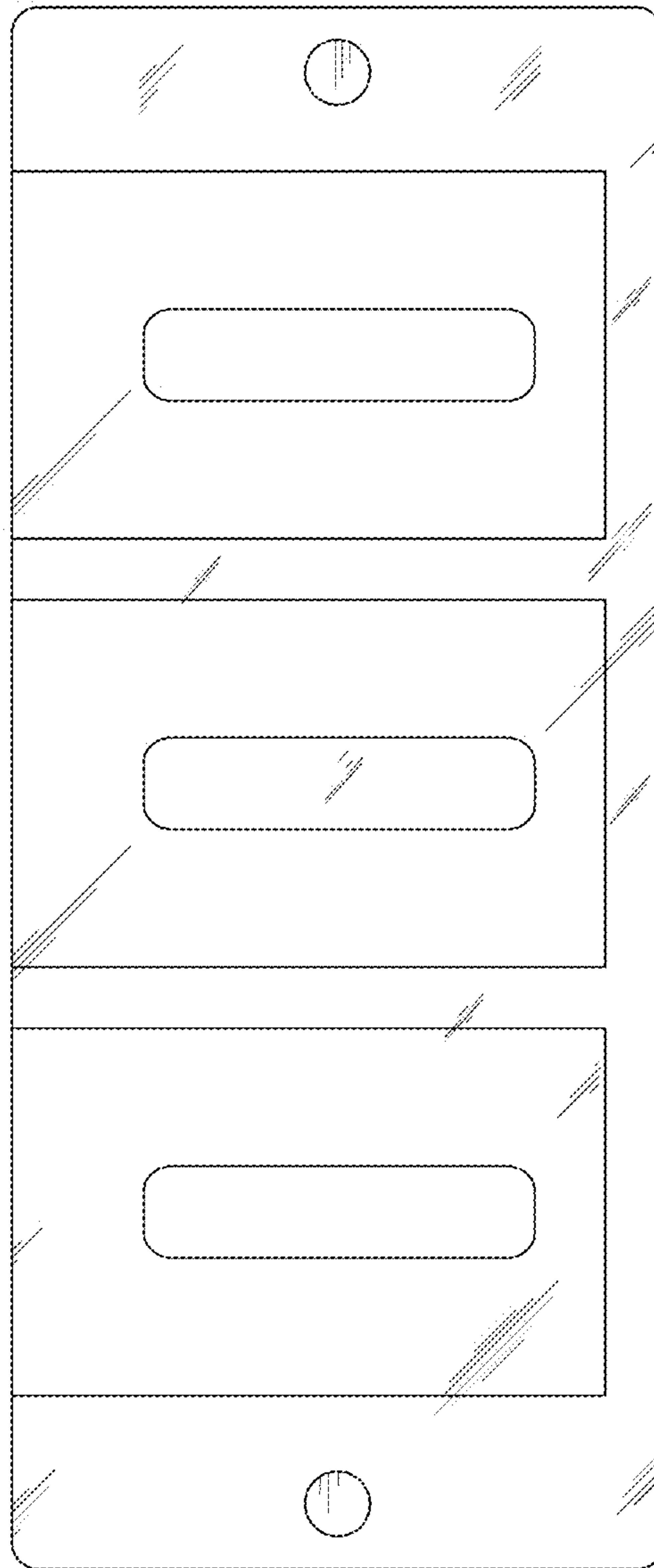


FIG. 4

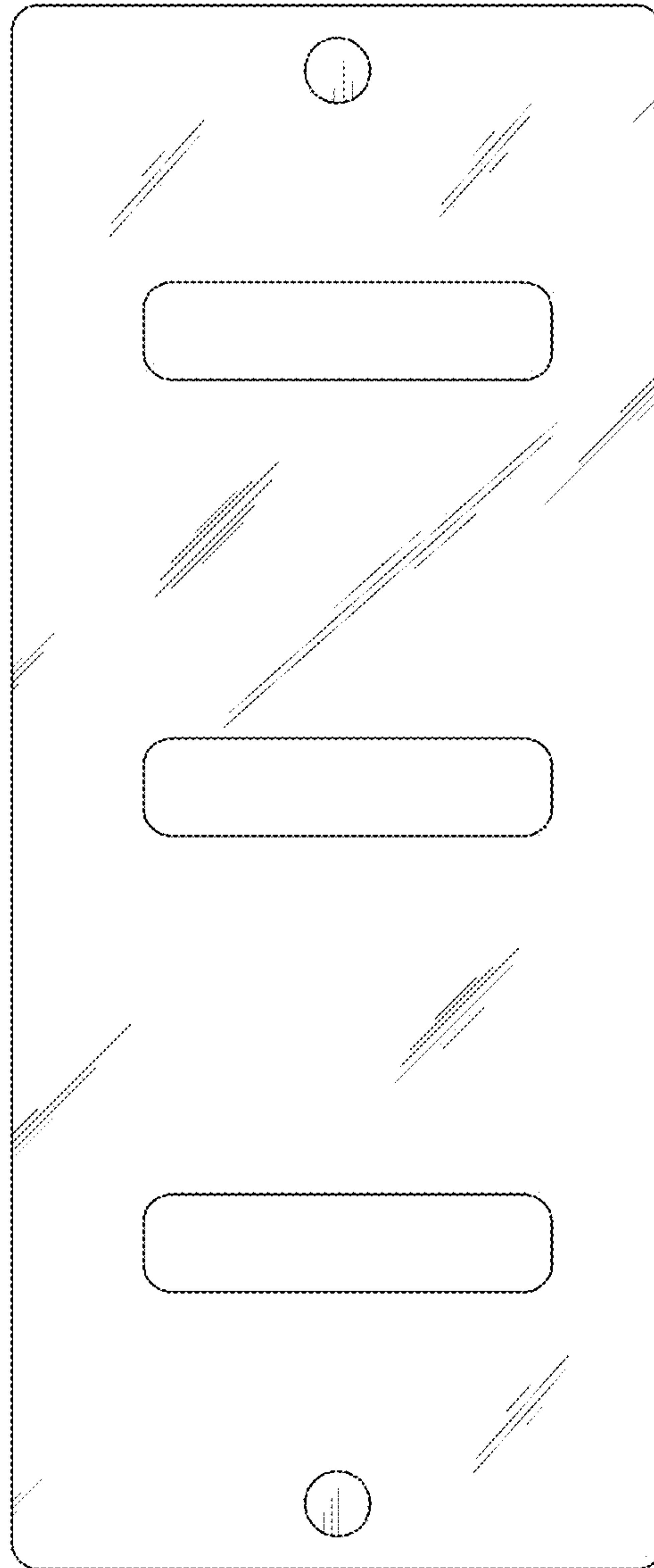


FIG. 5

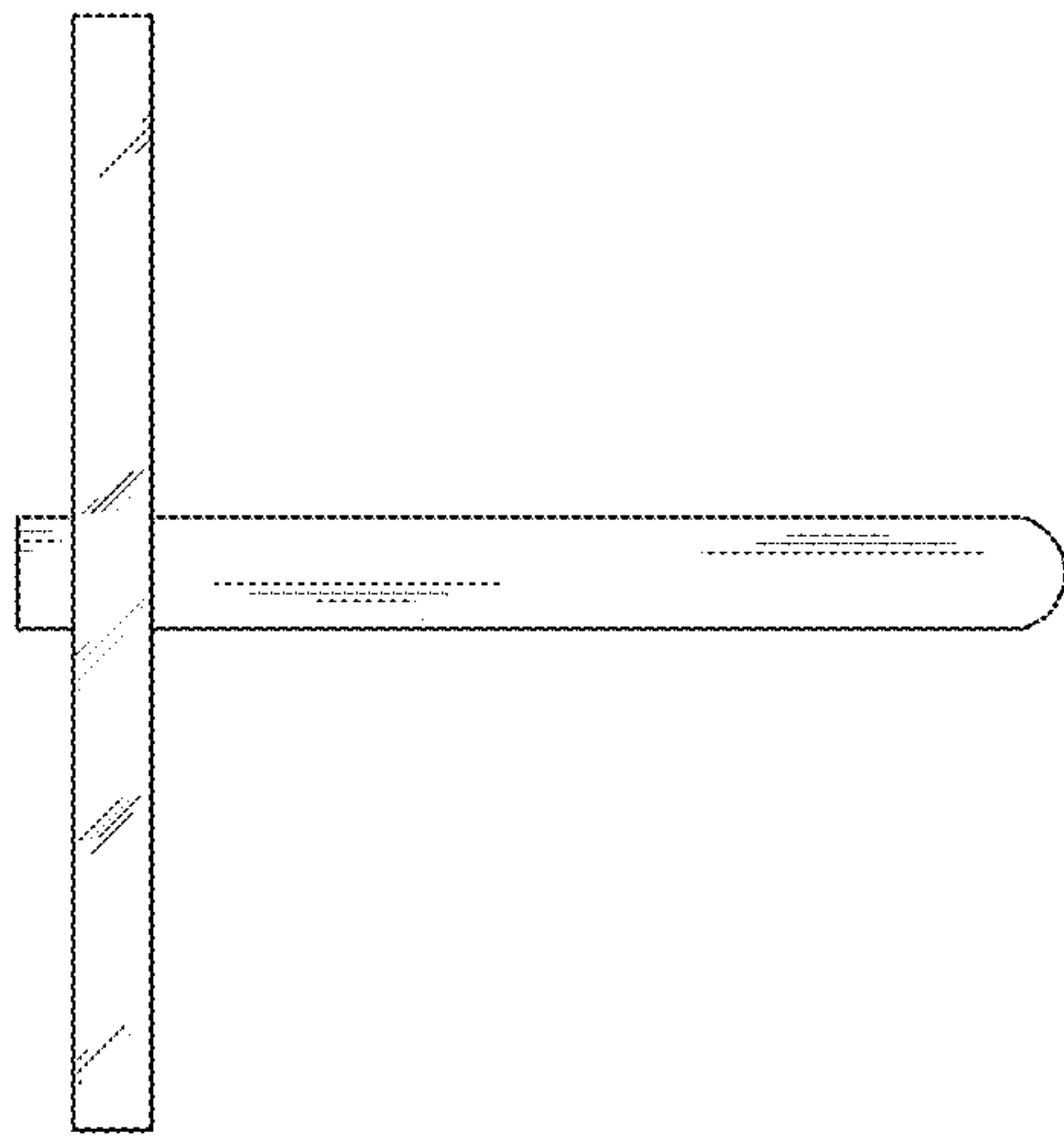


FIG. 6

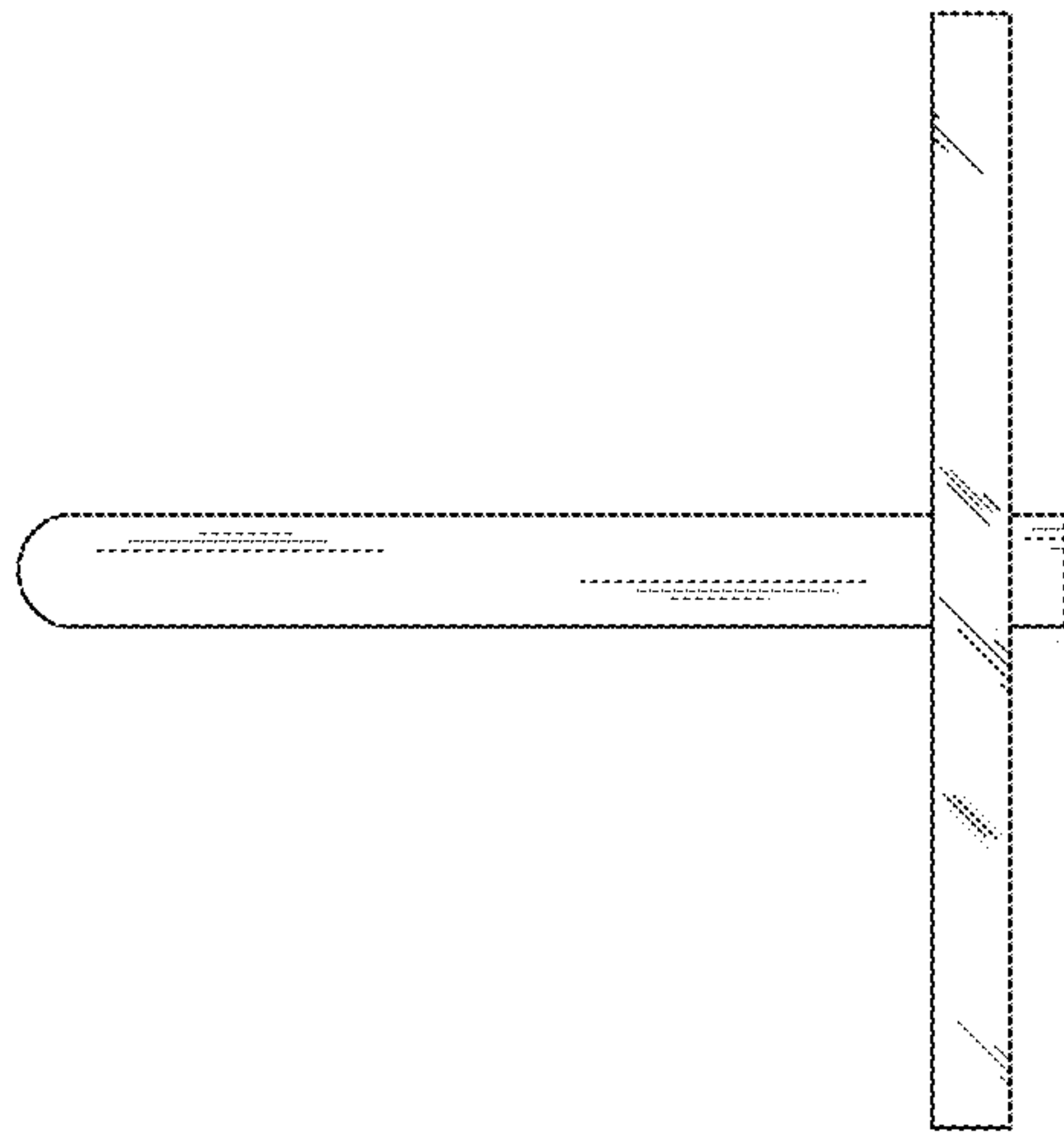


FIG. 7