



US00D893890S

(12) **United States Design Patent** (10) **Patent No.:** **US D893,890 S**  
**Lee** (45) **Date of Patent:** **\*\* Aug. 25, 2020**

(54) **BRUSH ATTACHABLE DUST REMOVER**

(71) Applicant: **Pil Hee Lee**, Seoul (KR)

(72) Inventor: **Pil Hee Lee**, Seoul (KR)

(\*\*) Term: **15 Years**

(21) Appl. No.: **29/656,096**

(22) Filed: **Jul. 10, 2018**

(51) **LOC (12) Cl.** ..... **04-01**

(52) **U.S. Cl.**  
USPC ..... **D4/138**

(58) **Field of Classification Search**  
USPC ..... D4/116, 117, 118, 119, 120, 132, 134,  
D4/138; D8/107, 80; D32/40, 51;  
16/DIG. 18  
CPC ..... A46B 5/02; A46B 7/04; A46B 2200/3026;  
A46B 2200/3046; A47L 13/20; A47L  
13/24; A47L 13/38

See application file for complete search history.

(56) **References Cited**

**U.S. PATENT DOCUMENTS**

- 3,395,416 A \* 8/1968 Hughes ..... A47L 13/29  
15/228
- D314,620 S \* 2/1991 Battaglia ..... D24/211
- D360,986 S \* 8/1995 Hoagland ..... D4/138
- D361,894 S \* 9/1995 Hoagland ..... D4/118
- D383,611 S \* 9/1997 Tsai ..... D4/114
- D389,319 S \* 1/1998 Gelinas ..... D4/132
- D468,110 S \* 1/2003 Libman ..... D4/138
- D483,186 S \* 12/2003 Libman ..... D4/138
- D496,532 S \* 9/2004 Hay ..... D4/138
- D501,087 S \* 1/2005 Berti ..... D4/138
- 7,181,800 B2 \* 2/2007 Lee ..... A46B 7/04  
15/147.1
- D562,001 S \* 2/2008 Liu ..... D4/118
- D575,528 S \* 8/2008 Libman ..... D4/133
- D579,211 S \* 10/2008 Libman ..... D4/133
- D609,918 S \* 2/2010 Lee ..... D32/51

- D609,919 S \* 2/2010 Lee ..... D32/51
- D629,985 S \* 12/2010 Lee ..... D32/51
- 8,851,776 B2 \* 10/2014 Schwarz ..... A46B 3/00  
401/138
- D787,836 S \* 5/2017 Lee ..... D4/138
- 2005/0229350 A1 \* 10/2005 Lee ..... A46B 5/00  
15/229.2

**FOREIGN PATENT DOCUMENTS**

- CN 303147799 \* 4/2015
- JP D1639354 \* 8/2019
- KR 300487294.0000 \* 4/2008
- KR 300563390.0000 \* 6/2010
- KR 300939822.0000 \* 1/2018

**OTHER PUBLICATIONS**

California Car Duster with Wooden Handle [on-line].[Retrieved from the Internet Jul. 31, 2018]. URL: <https://www.ebay.com/item/California-Car-Duster-with-Wooden-Handle-Safe-Car-Cleaning-Tool-Safe-Clean-Brush-/122979687578> (Year: 2018).\*

\* cited by examiner

*Primary Examiner* — Karen E Eldridge Powers  
(74) *Attorney, Agent, or Firm* — IPLA P.A.; James E. Bame

(57) **CLAIM**

The ornamental design for a brush attachable dust remover, as shown and described.

**DESCRIPTION**

FIG. 1 is a perspective view of my new design;  
FIG. 2 is a side elevational view thereof, the opposite side being a mirror image;  
FIG. 3 is a front elevational view thereof;  
FIG. 4 is a rear elevational view thereof; and,  
FIG. 5 is a top plan view thereof.

**1 Claim, 3 Drawing Sheets**

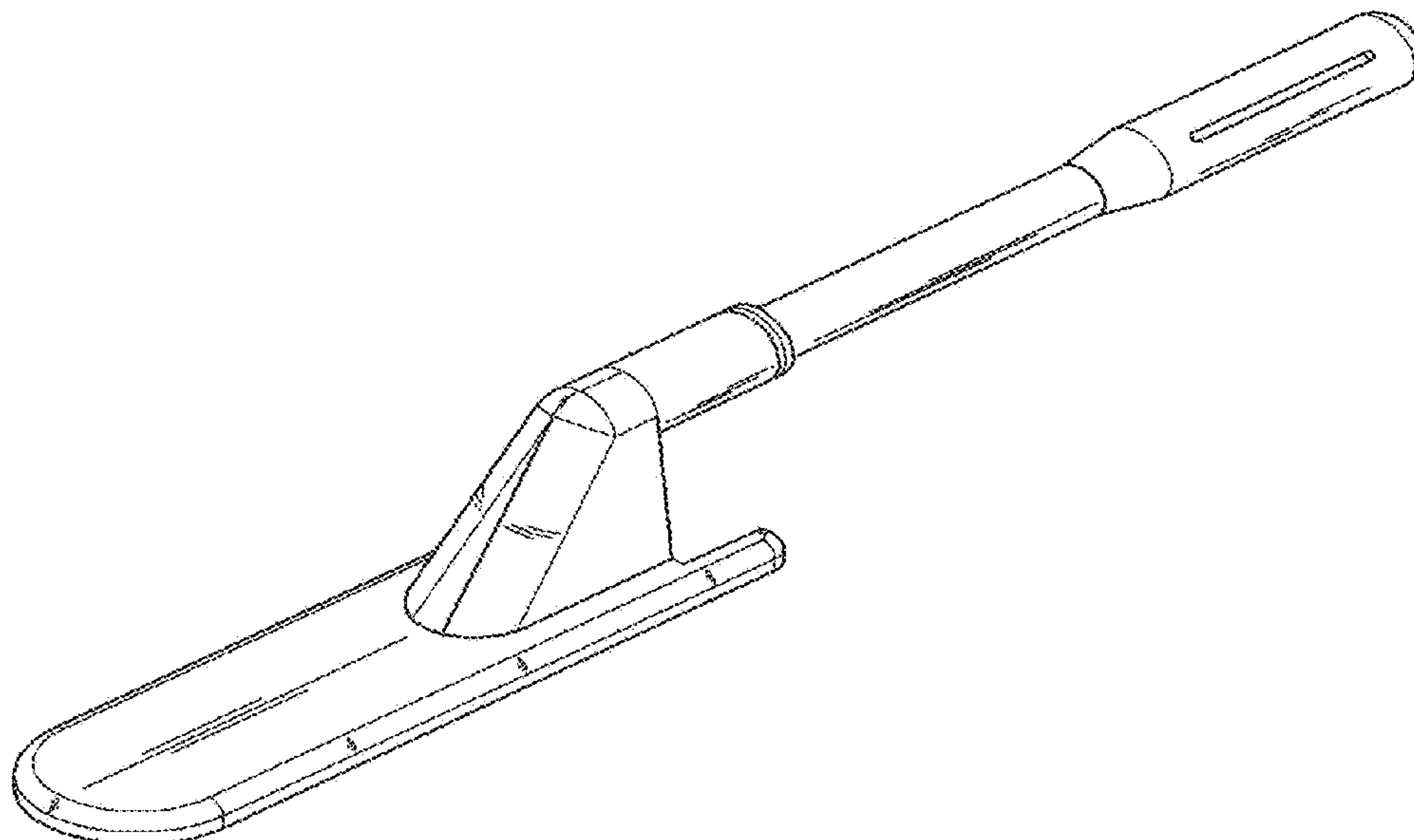


FIG. 1

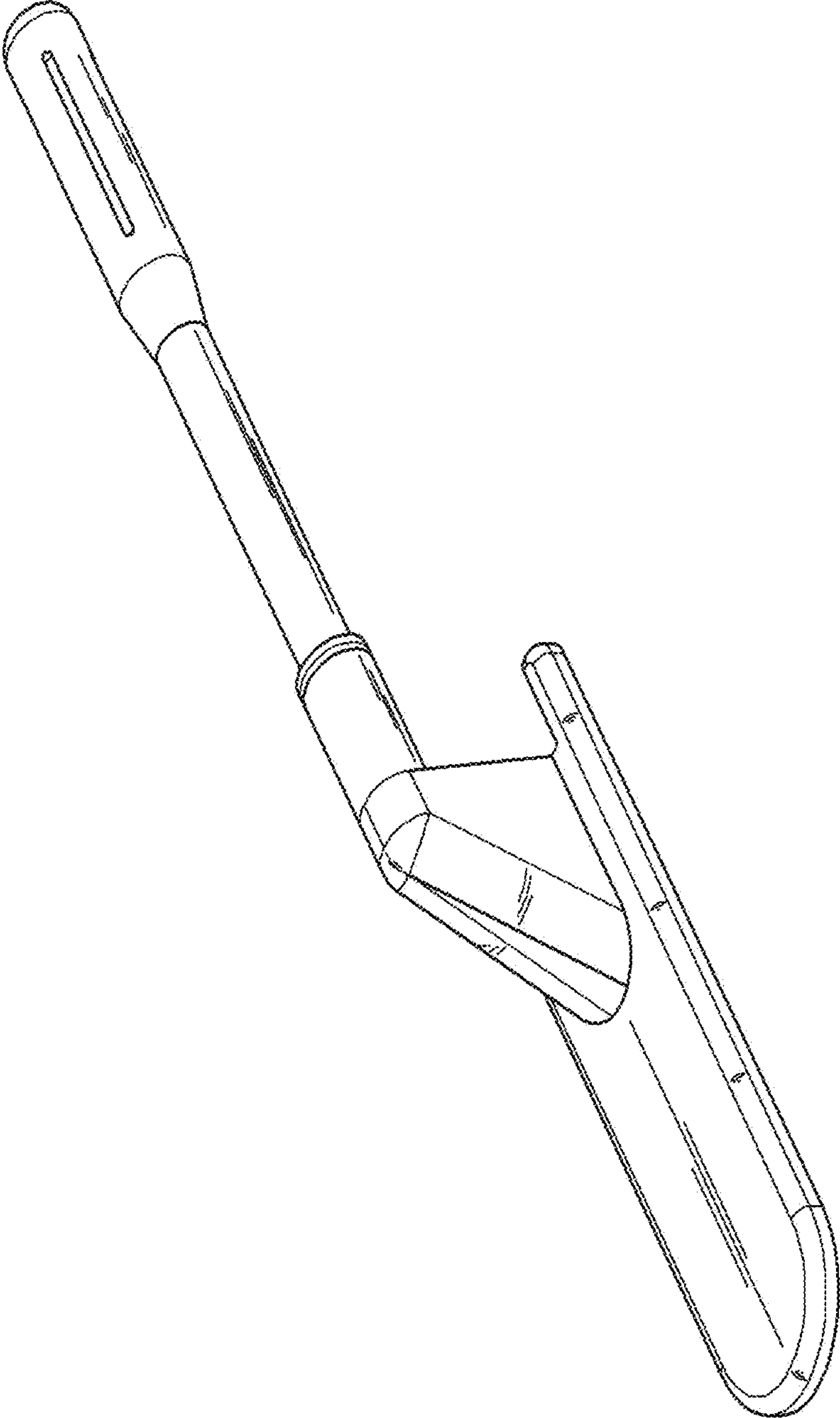


FIG. 2

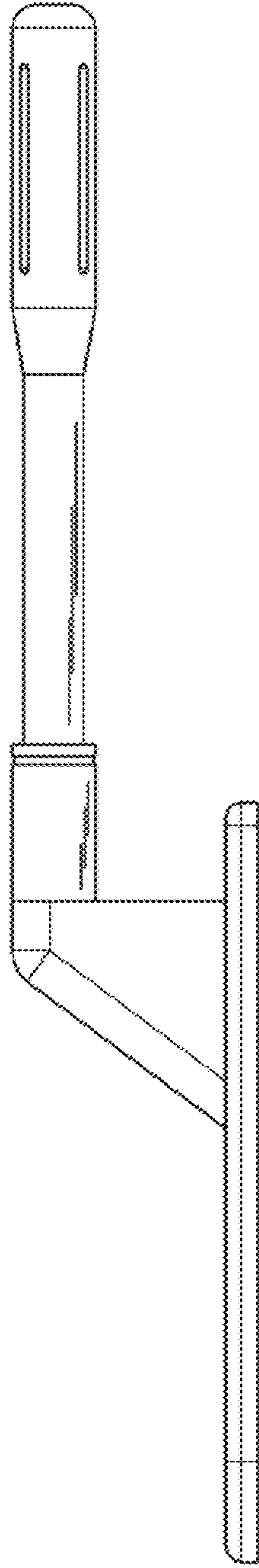


FIG. 3

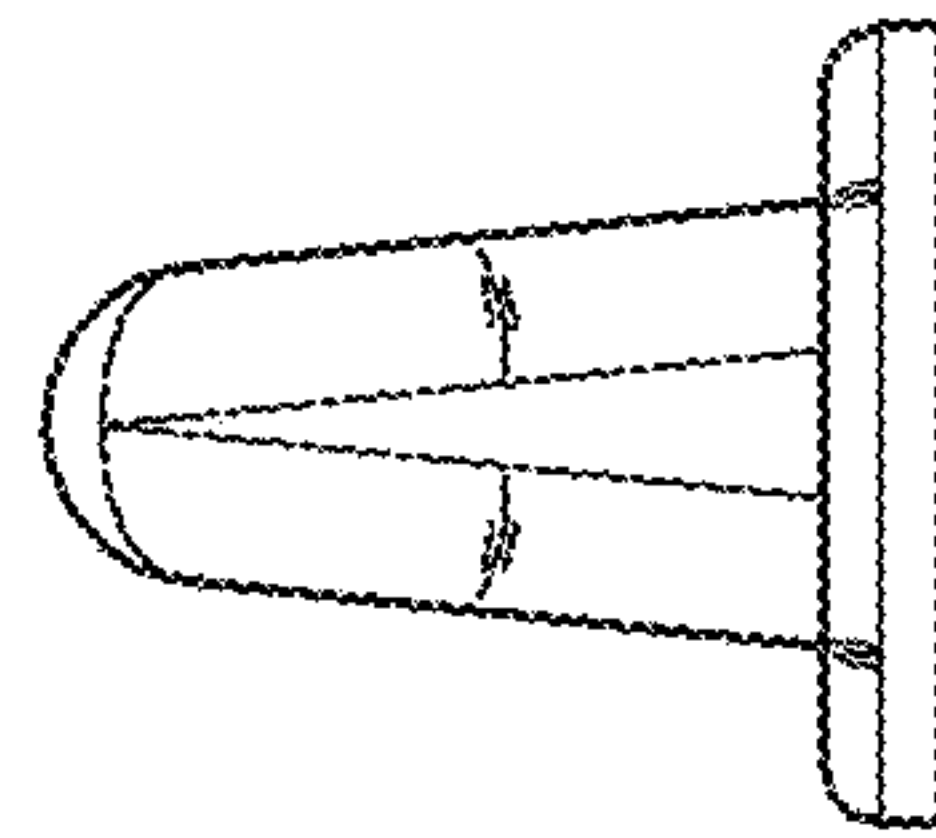


FIG. 4

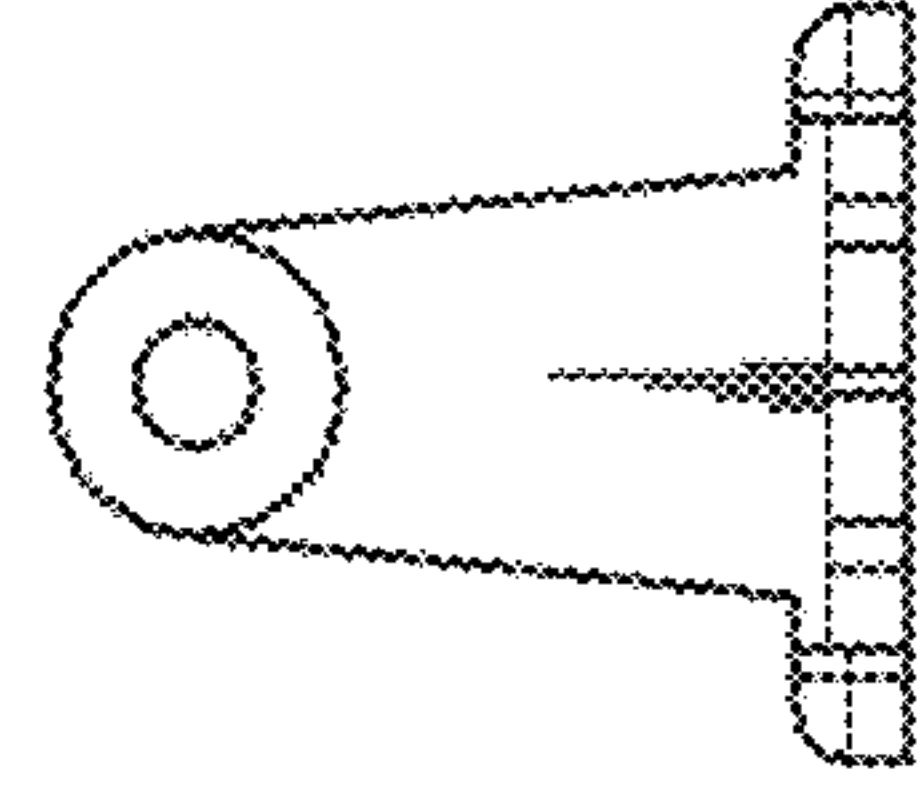


FIG. 5

