



US00D893889S

(12) **United States Design Patent** (10) **Patent No.:** **US D893,889 S**
Lee (45) **Date of Patent:** **** Aug. 25, 2020**

(54) **BRUSH ATTACHABLE DUST REMOVER**

(71) Applicant: **Pil Hee Lee**, Seoul (KR)

(72) Inventor: **Pil Hee Lee**, Seoul (KR)

(**) Term: **15 Years**

(21) Appl. No.: **29/656,089**

(22) Filed: **Jul. 10, 2018**

(51) **LOC (12) Cl.** **04-01**

(52) **U.S. Cl.**
USPC **D4/138**

(58) **Field of Classification Search**
USPC D4/116, 117, 118, 119, 120, 132, 134,
D4/138; D8/107, 80; D32/40, 51;
16/DIG. 18
CPC A46B 5/02; A46B 7/04; A46B 2200/3026;
A46B 2200/3046; A47L 13/20; A47L
13/24; A47L 13/38
See application file for complete search history.

(56) **References Cited**

U.S. PATENT DOCUMENTS

- 2,438,268 A * 3/1948 Bressler A46B 5/0025
15/167.1
- 2,559,722 A * 7/1951 Lindstrom A47L 13/24
15/147.2
- 4,364,142 A * 12/1982 Pangle A46B 5/02
119/623
- D314,620 S * 2/1991 Battaglia D24/211
- D358,491 S * 5/1995 Hoagland D32/42
- D395,211 S * 6/1998 Linden D8/10
- 6,408,524 B1 * 6/2002 Lai A47G 21/02
16/422
- D474,610 S * 5/2003 Park D4/136
- D495,499 S * 9/2004 Berti D4/138
- 7,181,800 B2 * 2/2007 Lee A46B 7/04
15/147.1
- D579,211 S * 10/2008 Libman D4/133
- D597,315 S * 8/2009 Hoffelner D4/118

- D599,517 S * 9/2009 Vrdoljak A47L 13/225
D32/40
- D609,918 S * 2/2010 Lee D32/51
- D625,108 S * 10/2010 Corzo D32/40
- D656,736 S * 4/2012 Hoffelner D4/118
- 8,321,990 B2 * 12/2012 Lee A47L 13/29
15/144.1
- D787,836 S * 5/2017 Lee D4/138
- D831,973 S * 10/2018 Allison D4/138
- D834,835 S * 12/2018 Lee D4/138
- D851,941 S * 6/2019 Lee D4/138

(Continued)

FOREIGN PATENT DOCUMENTS

- JP D1639354 * 8/2019
- KR 300487294.0000 * 4/2008

(Continued)

OTHER PUBLICATIONS

California Car Duster with Wood Handle [on-line]. [Retrieved from the Internet Jul. 31, 2018.] URL: <https://www.ebay.com/item/California-Car-Duster-with-Wooden-Handle-Safe-Car-Cleaning-Tool-Safe-Clean-Brush-/122979687578>. (Year: 2018).*

Primary Examiner — Karen E Eldridge Powers
(74) *Attorney, Agent, or Firm* — IPLA P.A.; James E. Bame

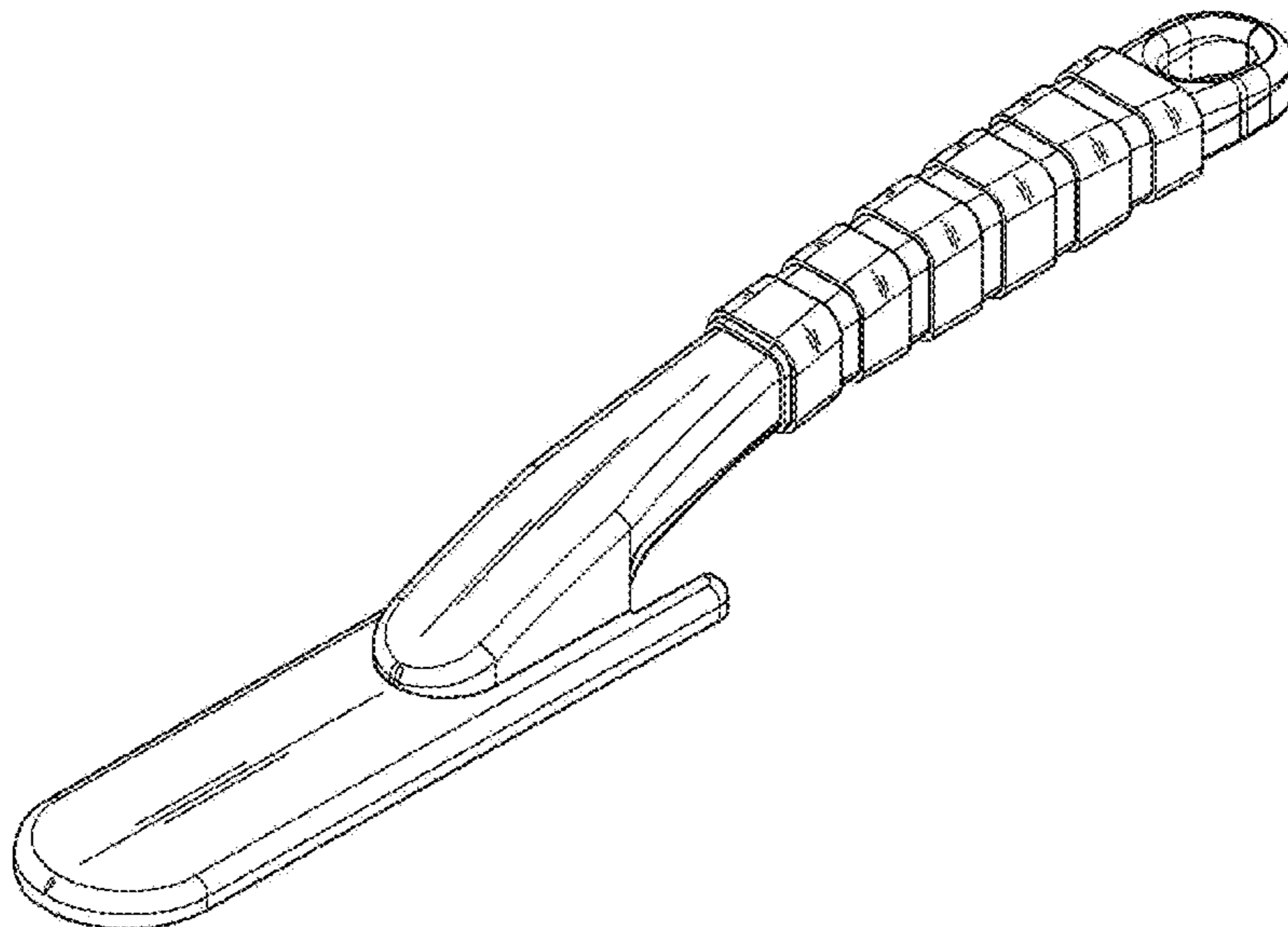
(57) **CLAIM**

The ornamental design for a brush attachable dust remover, as shown and described.

DESCRIPTION

FIG. 1 is a perspective view of my new design;
FIG. 2 is a side elevational view thereof, the opposite side being a mirror image;
FIG. 3 is a front elevational view thereof;
FIG. 4 is a rear elevational view thereof; and,
FIG. 5 is a top plan view thereof.

1 Claim, 3 Drawing Sheets



(56)

References Cited

U.S. PATENT DOCUMENTS

D851,942 S * 6/2019 Lee D4/138
D852,511 S * 7/2019 Lee D4/138
D859,122 S * 9/2019 Masalin D8/107
2005/0229350 A1 * 10/2005 Lee A46B 5/00
15/229.2
2018/0353989 A1 * 12/2018 Ries B05C 17/00

FOREIGN PATENT DOCUMENTS

KR 300563390.0000 * 6/2010
KR 300939822.0000 * 1/2018

* cited by examiner

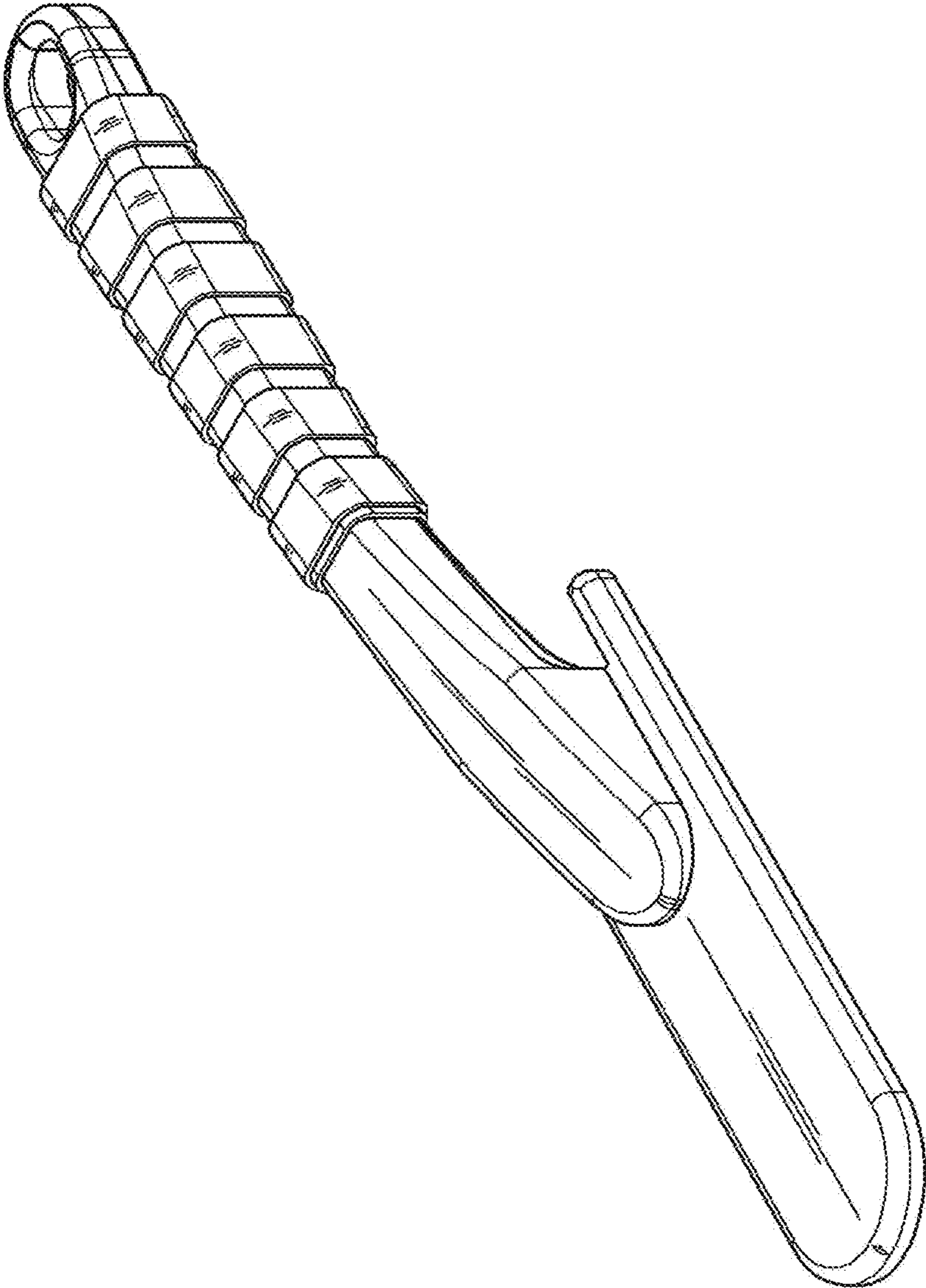


FIG. 1

FIG. 2

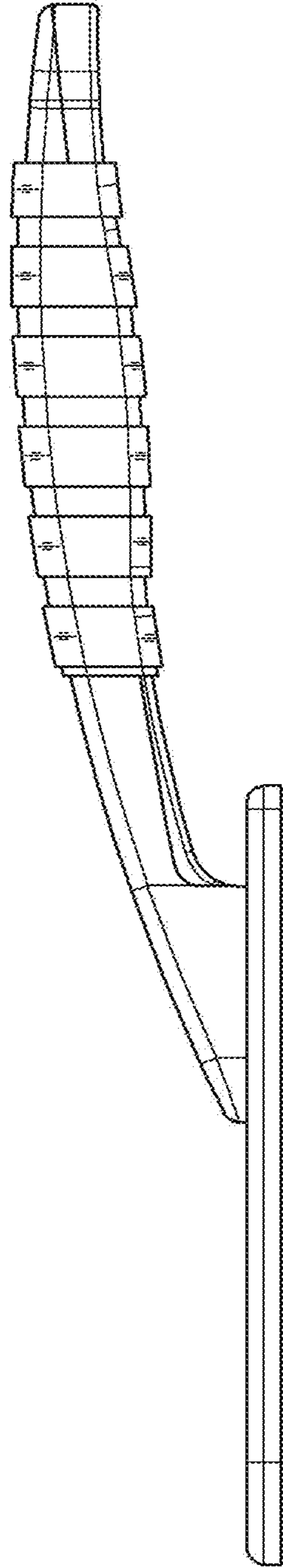


FIG. 3

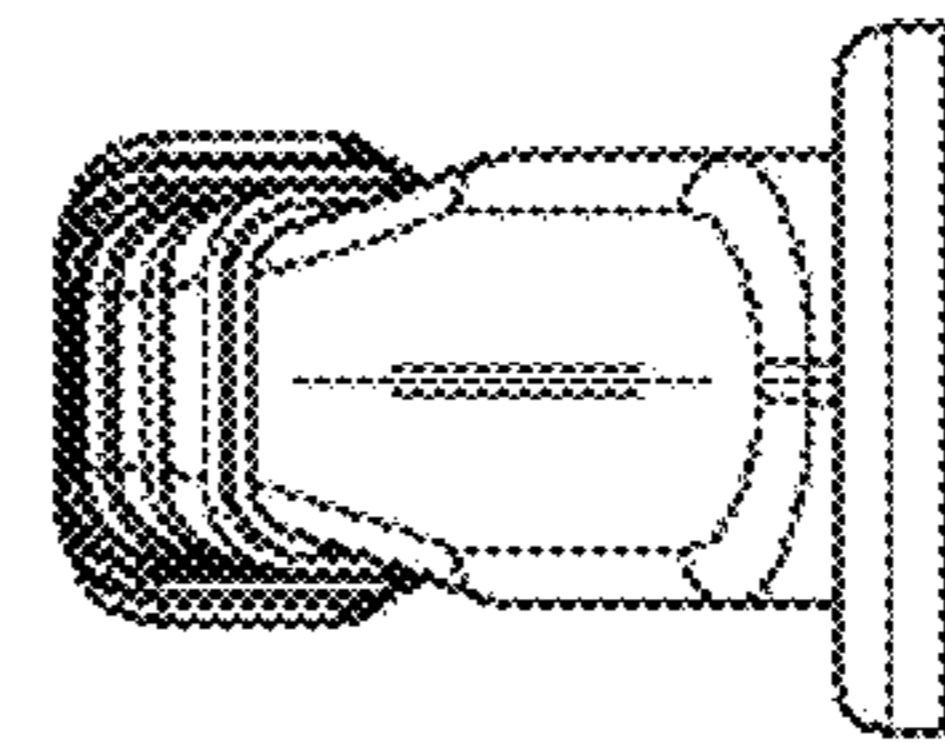


FIG. 4

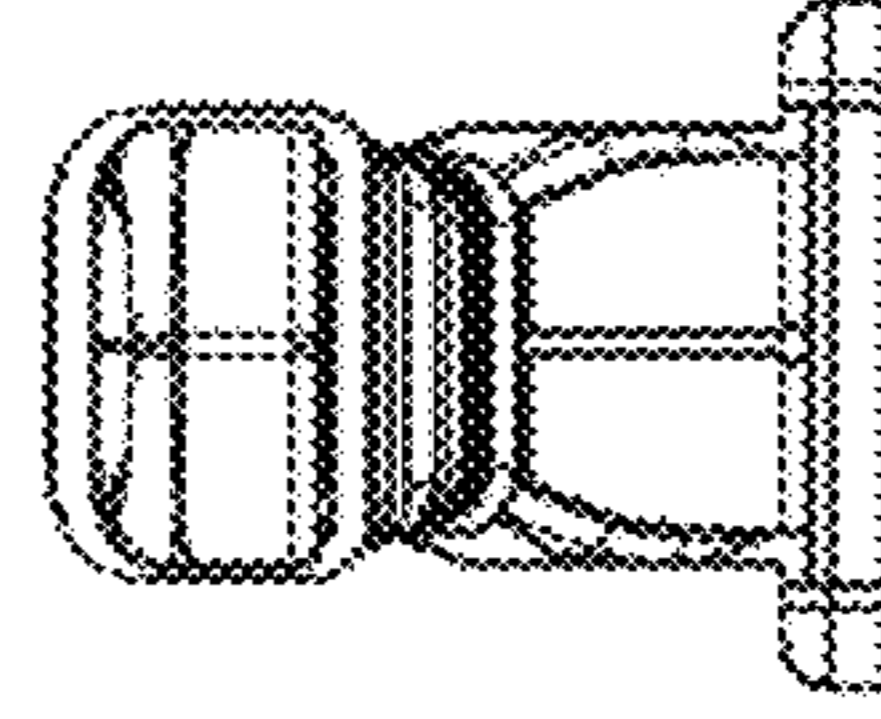


FIG. 5

