



US00D893887S

(12) **United States Design Patent** (10) **Patent No.:** **US D893,887 S**
Antler (45) **Date of Patent:** **** Aug. 25, 2020**

(54) **BRISTLES OF A BRUSH**
(71) Applicant: **Steven M Antler**, Darien, CT (US)
(72) Inventor: **Steven M Antler**, Darien, CT (US)
(**) Term: **15 Years**
(21) Appl. No.: **29/633,964**
(22) Filed: **Jan. 17, 2018**
(51) **LOC (12) Cl.** **04-02**
(52) **U.S. Cl.**
USPC **D4/128**
(58) **Field of Classification Search**
USPC D4/128, 129, 131, 136, 138, 108, 109,
D4/119; D32/35, 51; 15/104.5, 104.16,
15/104.2, 104.31, 104.32, 164, 165, 206;
D28/65; D7/682; 452/298, 458
CPC A46B 7/026; A46B 5/005; A46B 17/04;
A46B 2200/1046
See application file for complete search history.

D718,058 S * 11/2014 Petti D4/128
D727,579 S * 4/2015 Willis D32/25
D778,064 S * 2/2017 Owen D4/127
D842,615 S * 3/2019 Krohmer D4/133
D843,733 S * 3/2019 Chavana, Jr. D4/128
D848,691 S * 5/2019 Antler D32/25
D850,119 S * 6/2019 Jun D4/128
D855,333 S * 8/2019 Ando D4/128

* cited by examiner

Primary Examiner — Austin Murphy
(74) *Attorney, Agent, or Firm* — Shlesinger, Arkwright & Garvey LLP

(57) **CLAIM**

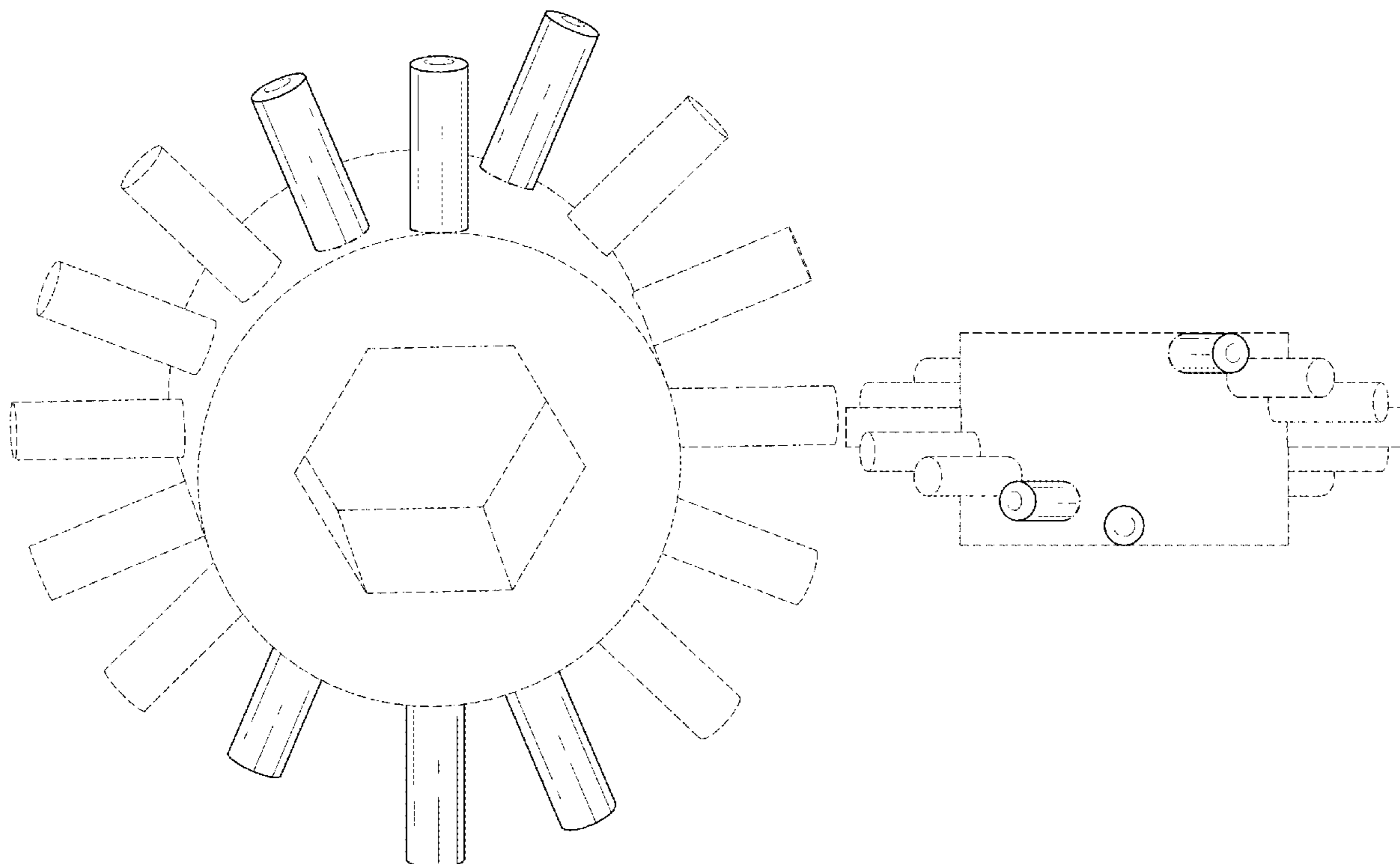
The ornamental design for bristles of a brush, as shown and described.

DESCRIPTION

FIG. 1 is a top perspective view of bristles of a brush showing my new design;
FIG. 2 is a bottom perspective view of FIG. 1;
FIG. 3 is a front view of FIG. 1;
FIG. 4 is a rear view of FIG. 1;
FIG. 5 is a top view of FIG. 1;
FIG. 6 is a bottom view of FIG. 1;
FIG. 7 is a right side view of FIG. 1; and,
FIG. 8 is a left side view of FIG. 1.
The broken lines in the drawings are for illustrative purposes only and form no part of the claimed design.

1 Claim, 5 Drawing Sheets

(56) **References Cited**
U.S. PATENT DOCUMENTS
D309,376 S * 7/1990 Kiesz D4/122
D309,378 S * 7/1990 Kiesz D4/121
D406,390 S * 3/1999 VanSciver, Jr. D28/18
D483,534 S * 12/2003 Nelson D32/25
D631,665 S * 2/2011 Shon D4/128



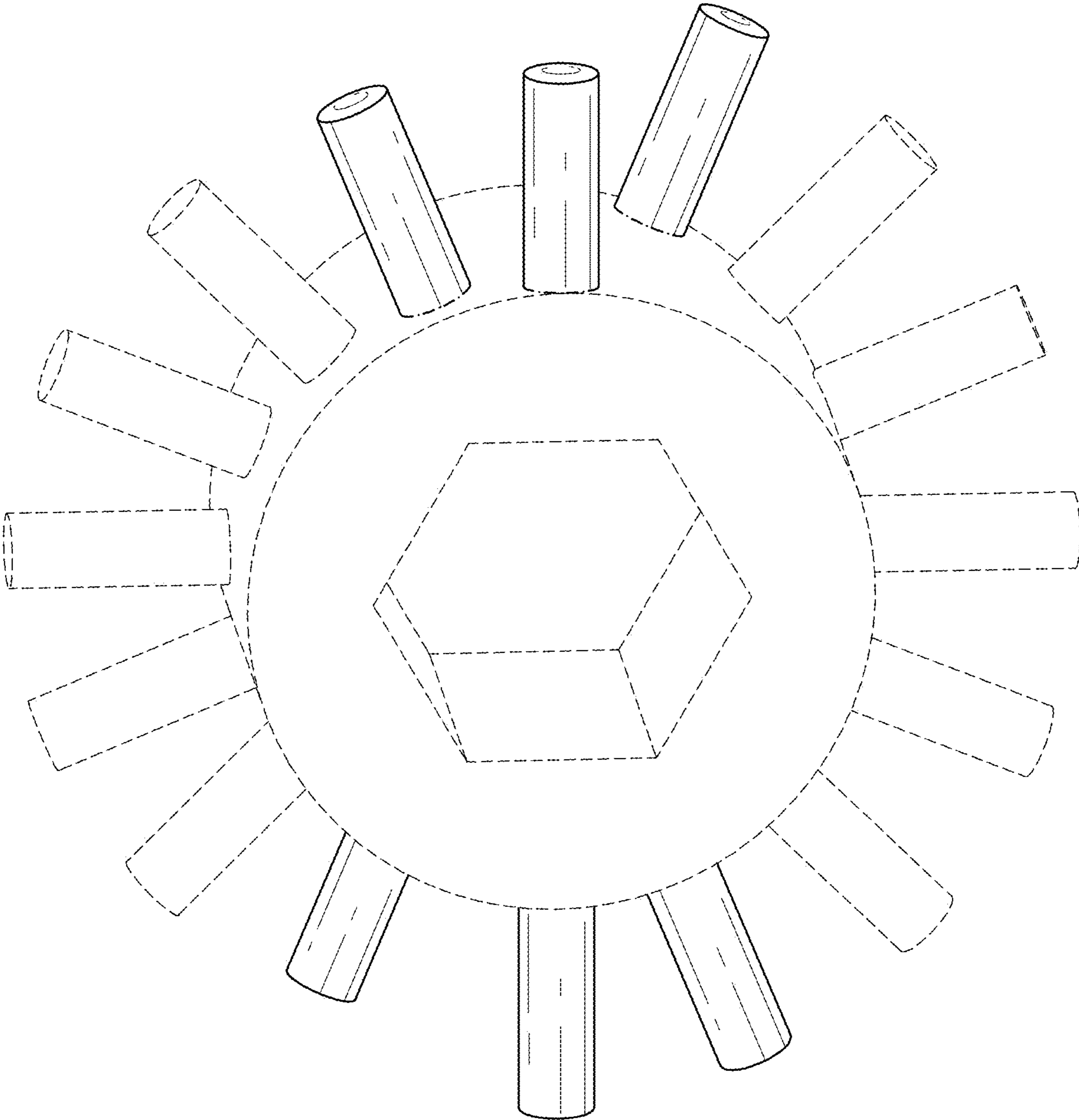


FIG. 1

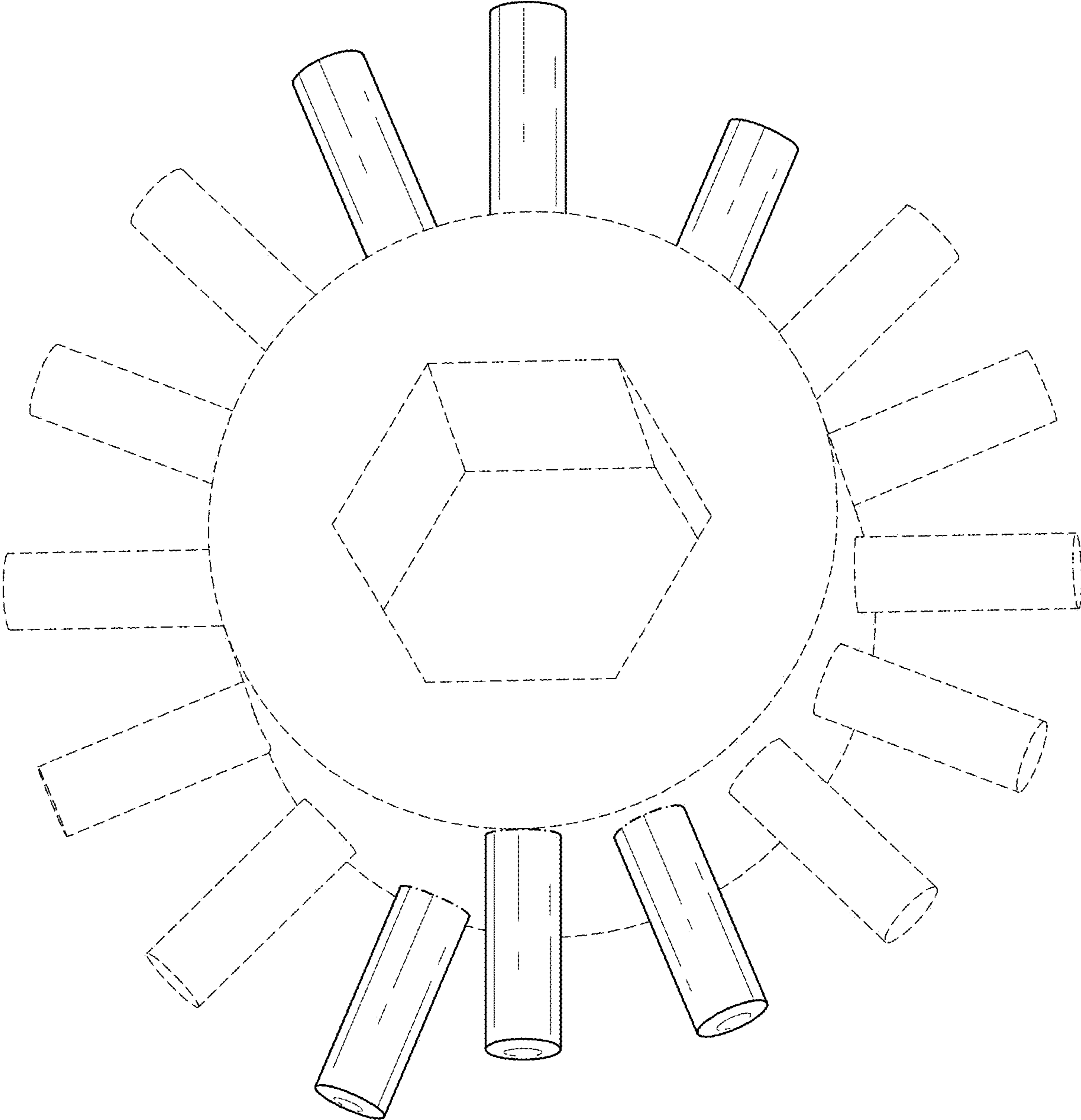


FIG. 2

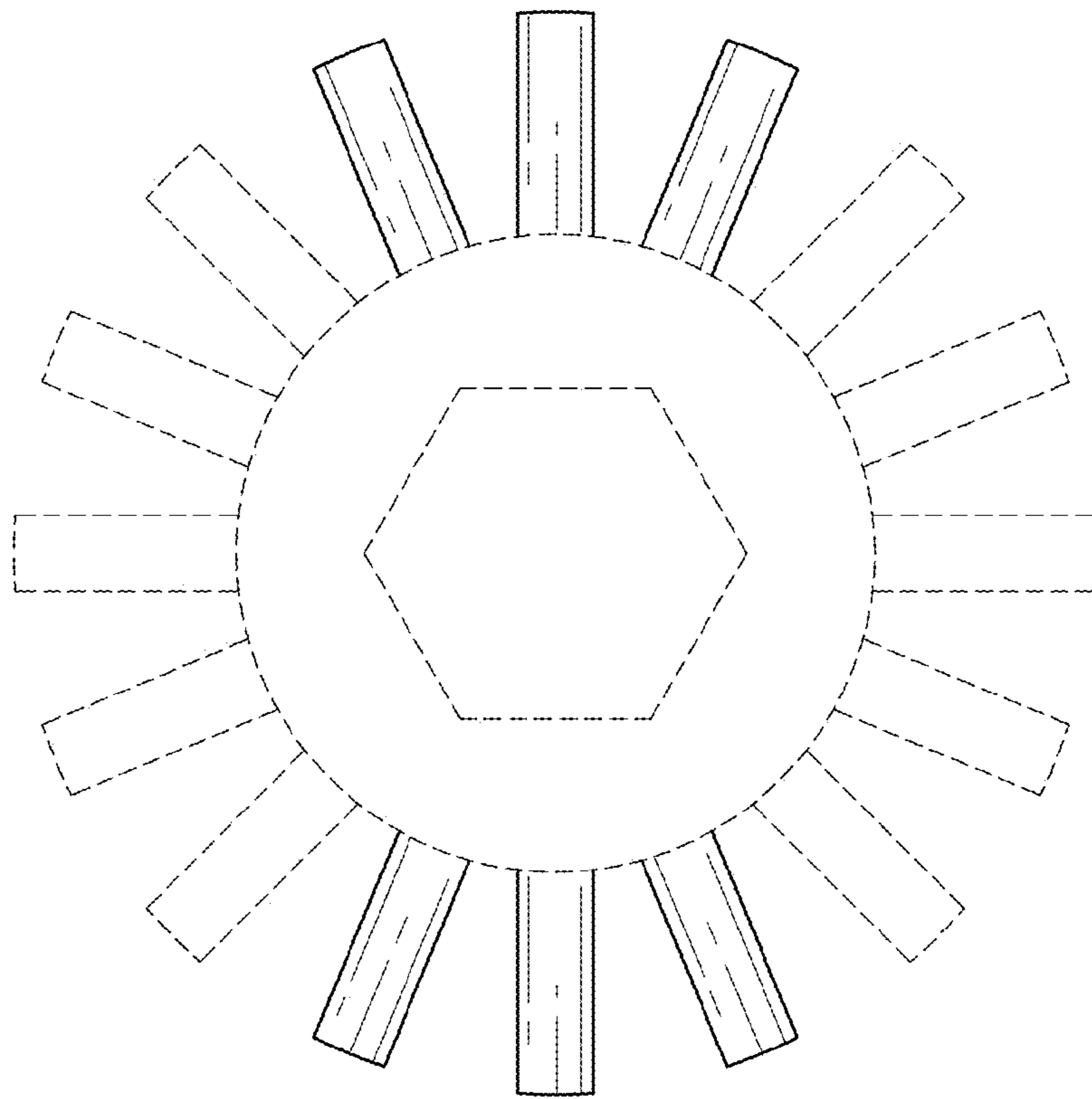


FIG. 3

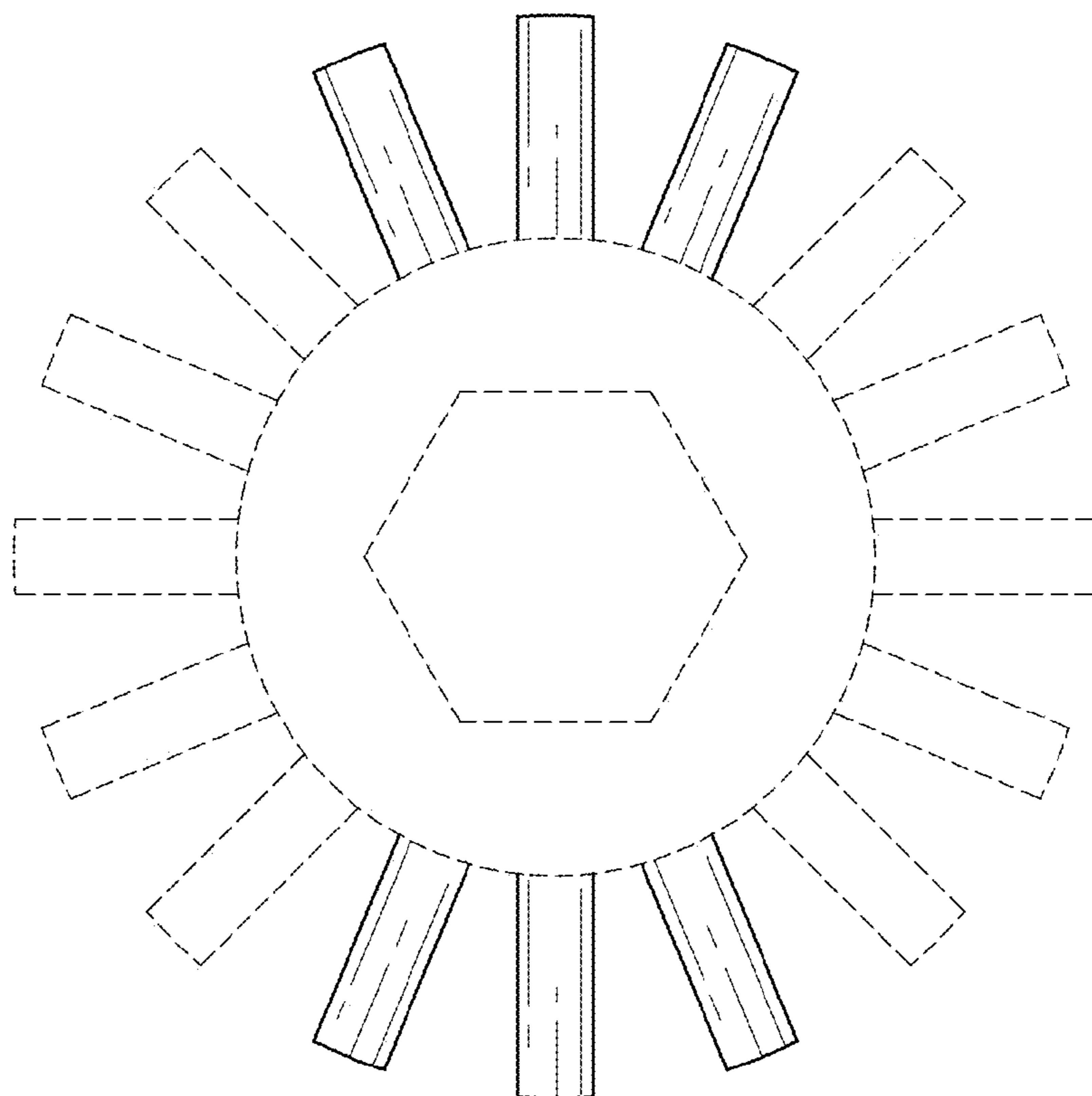


FIG. 4

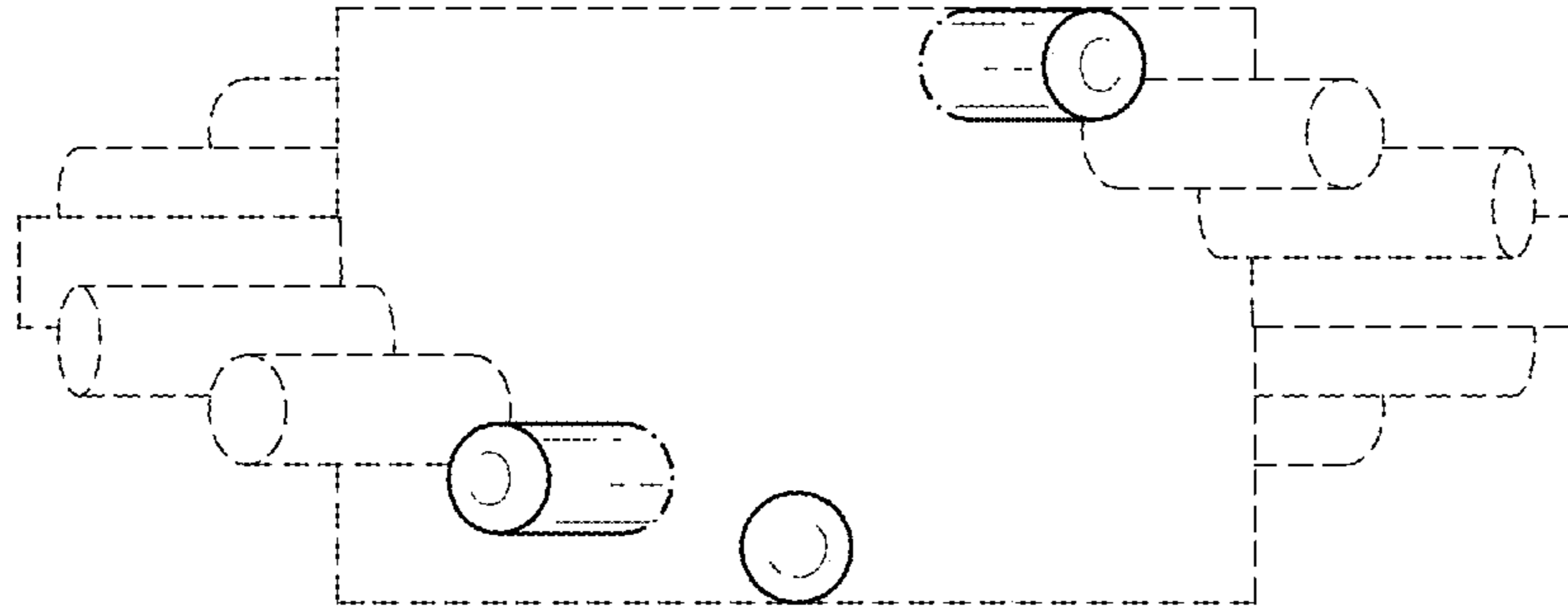


FIG. 5

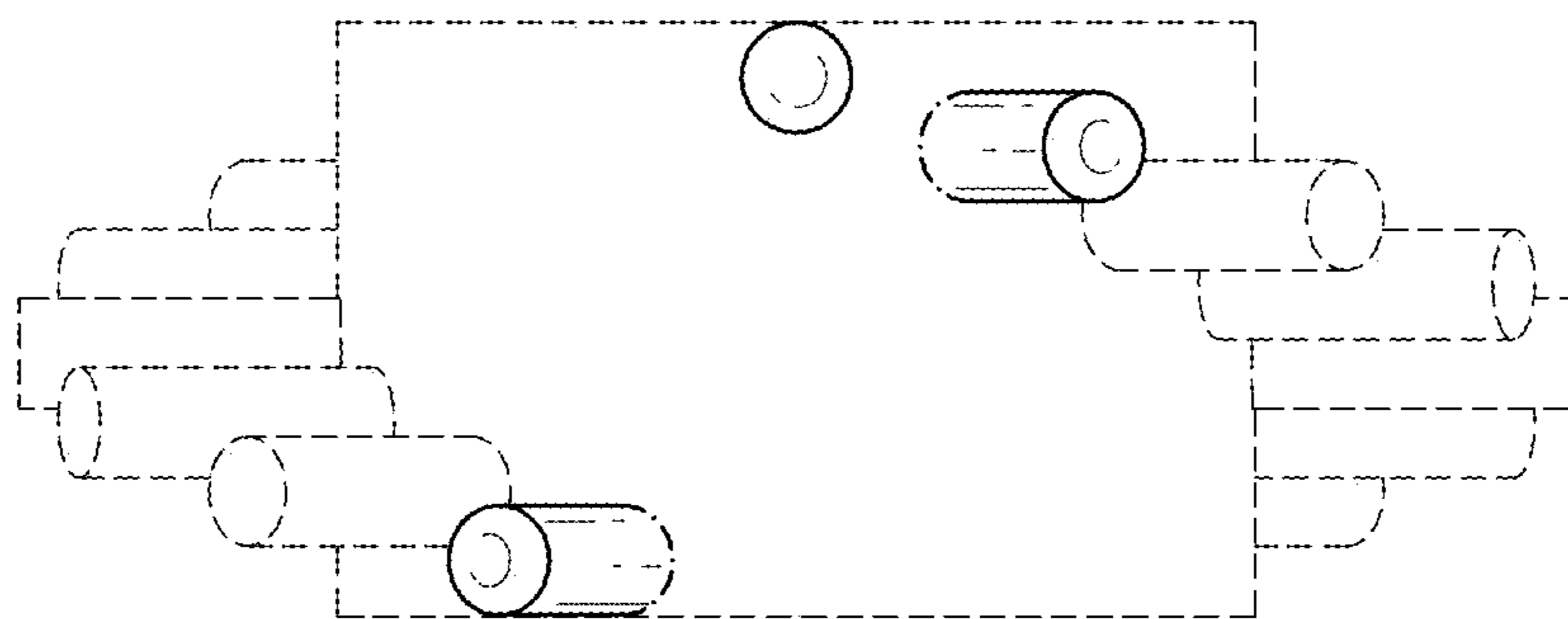


FIG. 6

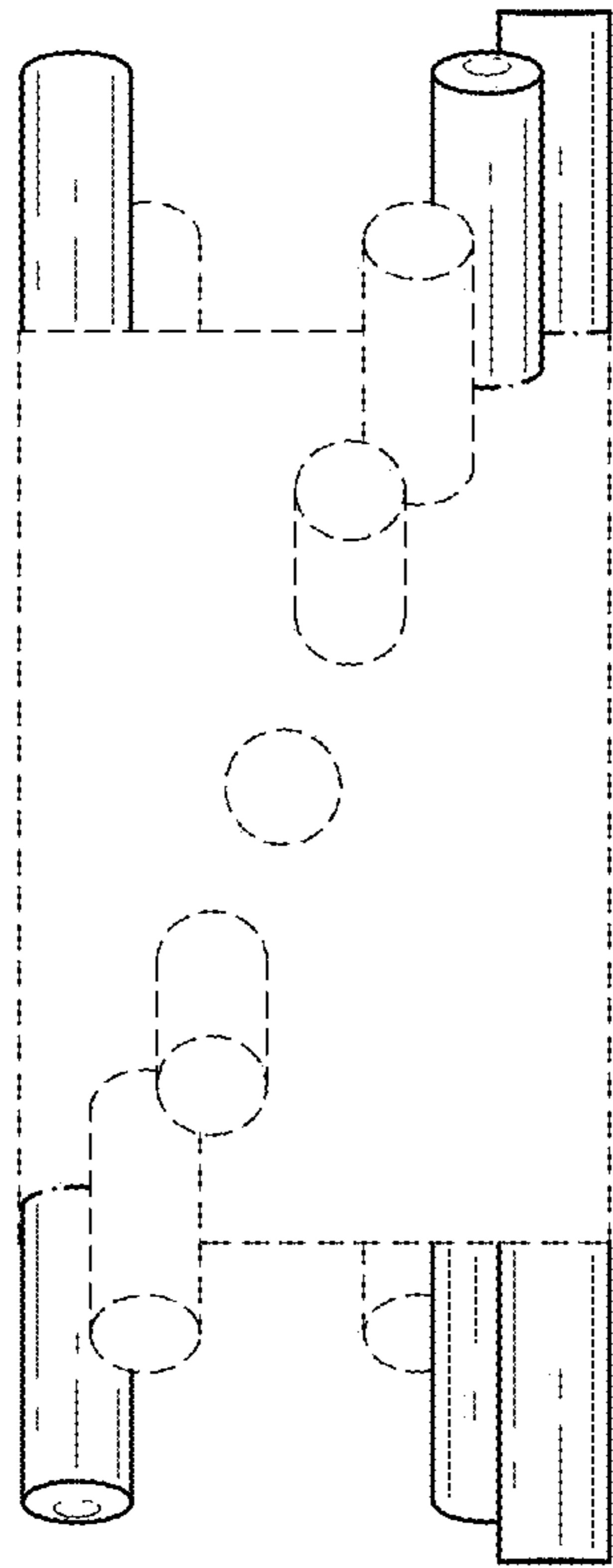


FIG. 7

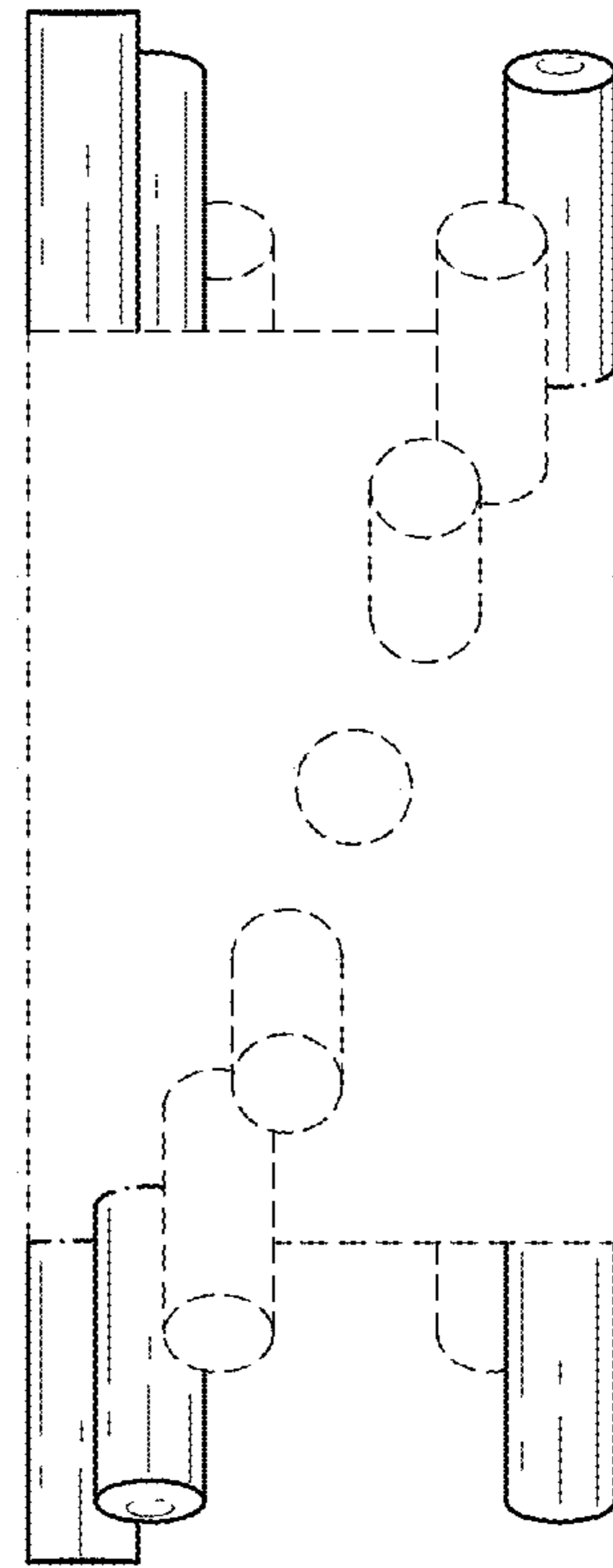


FIG. 8