



US00D893886S

(12) **United States Design Patent** (10) **Patent No.:** **US D893,886 S**  
**Xiong** (45) **Date of Patent:** **\*\* Aug. 25, 2020**

(54) **FACIAL CLEANING BRUSH**  
(71) Applicant: **Shenzhen Hongwang Nicemay Electric Co., Ltd, Shenzhen (CN)**  
(72) Inventor: **Shasha Xiong, Shenzhen (CN)**  
(73) Assignee: **SHENZHEN HONGWANG NICEMAY ELECTRIC CO., LTD, Shenzhen (CN)**

D835,795 S \* 12/2018 Tai ..... D24/214  
D871,076 S \* 12/2019 Lee ..... D4/102  
2013/0023805 A1\* 1/2013 Ungemach ..... A61H 7/005  
601/114  
2013/0023806 A1\* 1/2013 Ungemach ..... A61H 23/0254  
601/114  
2014/0058300 A1\* 2/2014 Ungemach ..... A61M 35/003  
601/136

(\*\*) Term: **15 Years**  
(21) Appl. No.: **29/685,353**  
(22) Filed: **Mar. 28, 2019**

(30) **Foreign Application Priority Data**

Feb. 20, 2019 (CN) ..... 2019 3 0069284

(51) **LOC (12) Cl.** ..... **04-99**

(52) **U.S. Cl.**  
USPC ..... **D4/127**

(58) **Field of Classification Search**  
USPC ..... D4/100, 102, 106, 107, 109, 110, 111,  
D4/112, 117, 120, 126, 127, 128, 129,  
D4/130, 131, 132, 133, 134, 135, 136,  
D4/137, 138; D28/7, 13, 19, 21, 22, 23,  
D28/24, 28, 29, 30, 31, 32, 33, 45, 63,  
D28/74; D30/158, 159; D7/682;  
D8/107, 303  
CPC ..... A46B 2200/104; A46B 1/00; A46B  
2200/1006; A46B 2200/102; A46D  
1/0276

See application file for complete search history.

(56) **References Cited**

**U.S. PATENT DOCUMENTS**

D721,503 S \* 1/2015 De Klein ..... D4/102  
D741,601 S \* 10/2015 Helmbold ..... D4/102  
9,596,928 B2 \* 3/2017 Pardo ..... A47K 7/043  
D794,962 S \* 8/2017 De Klein ..... D4/102  
D829,921 S \* 10/2018 Xiong ..... D24/214

**OTHER PUBLICATIONS**

Lomezi, announced 2019 [online], [site visited Jun. 2, 2020]. Available from internet, URL: [https://www.amazon.com/LOMEZI-Cleansing-Waterproof-Exfoliation-Blackhead/dp/B07W8ZWXWH/ref=sr\\_1\\_32?dchild=1&keywords=facial+cleansing+brush&qid=1590520276&sr=8-32](https://www.amazon.com/LOMEZI-Cleansing-Waterproof-Exfoliation-Blackhead/dp/B07W8ZWXWH/ref=sr_1_32?dchild=1&keywords=facial+cleansing+brush&qid=1590520276&sr=8-32) (Year: 2019).\*

\* cited by examiner

*Primary Examiner* — Cynthia Ramirez

*Assistant Examiner* — Tamara L Hahn

(57) **CLAIM**

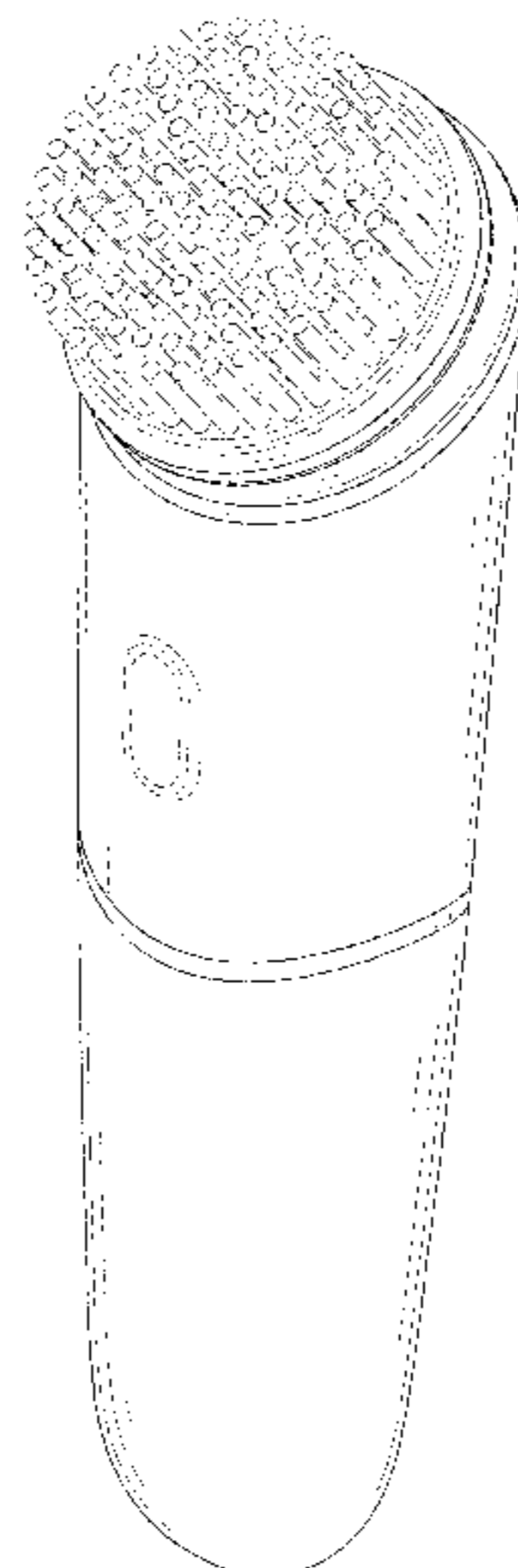
The ornamental design for a facial cleaning brush, as shown and described.

**DESCRIPTION**

FIG. 1 is a perspective view of a facial cleaning brush pumping bra showing my new design; FIG. 2 is another perspective view thereof; FIG. 3 is a front elevational view thereof; FIG. 4 is a rear elevational view thereof; FIG. 5 is a left side elevational view thereof; FIG. 6 is a right side elevational view thereof; FIG. 7 is a top plan view thereof; FIG. 8 is a bottom plan view thereof; and, FIG. 9 is a perspective view of the facial cleaning brush on a cradle.

The broken line showing of the cradle feature in FIG. 9 depicts environment and forms no part of the claimed design. All other broken lines depict portions of the facial cleaning brush that form no part of the claimed design.

**1 Claim, 9 Drawing Sheets**



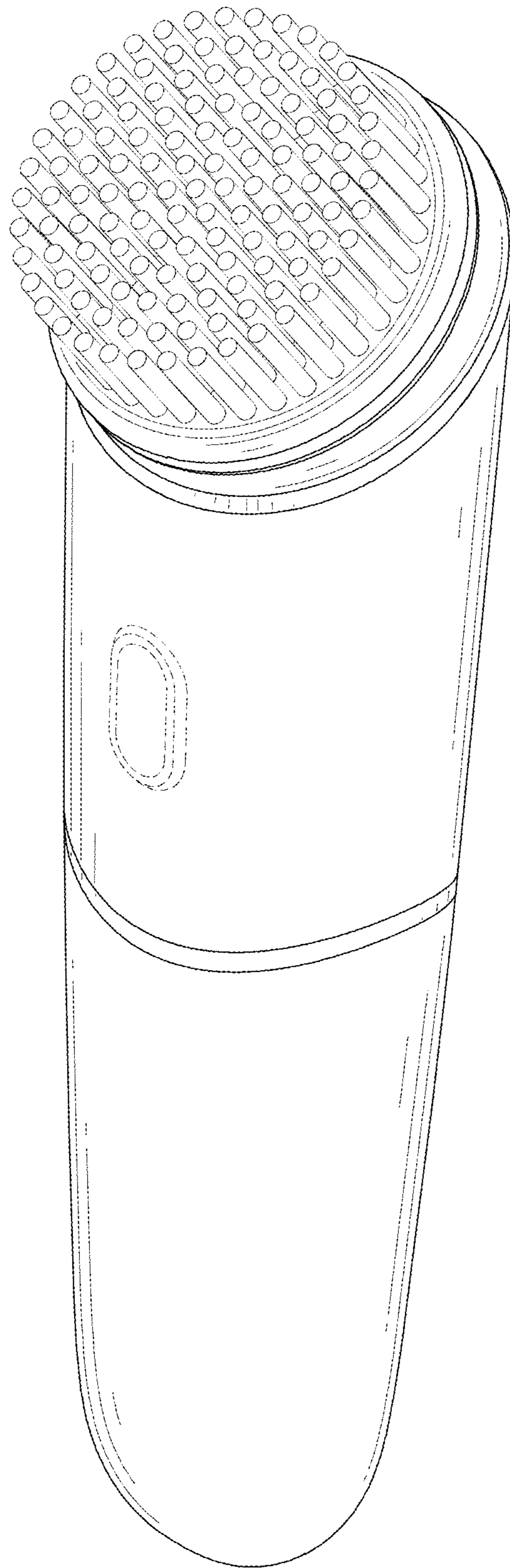


FIG. 1

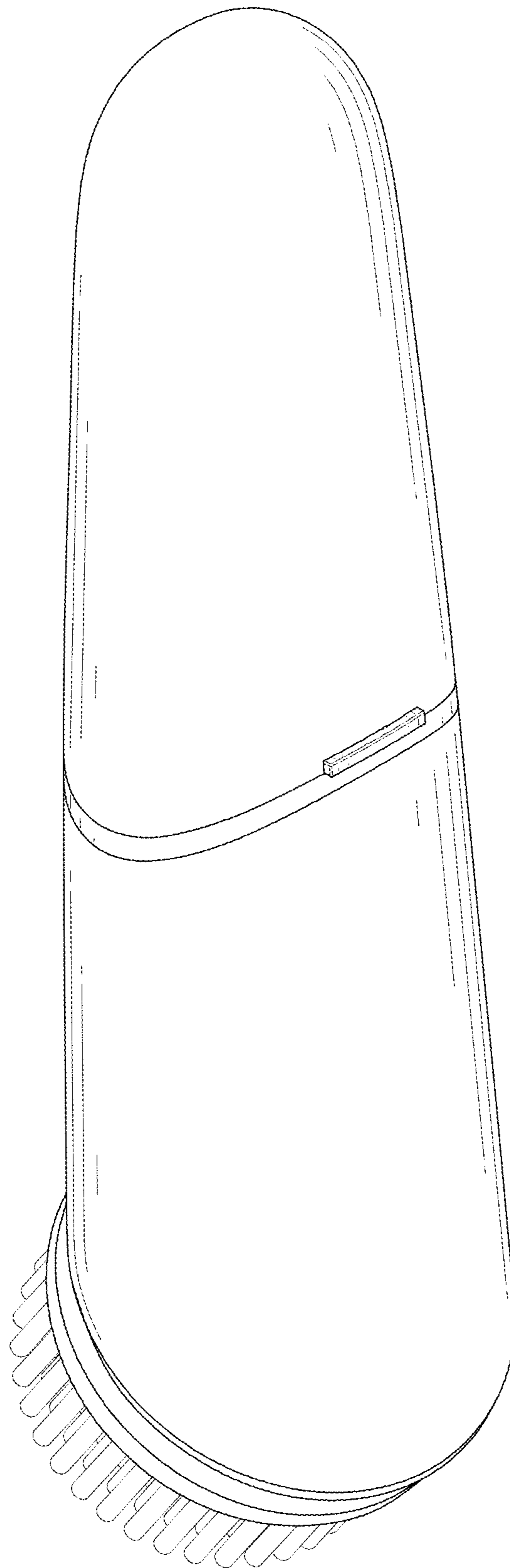


FIG. 2

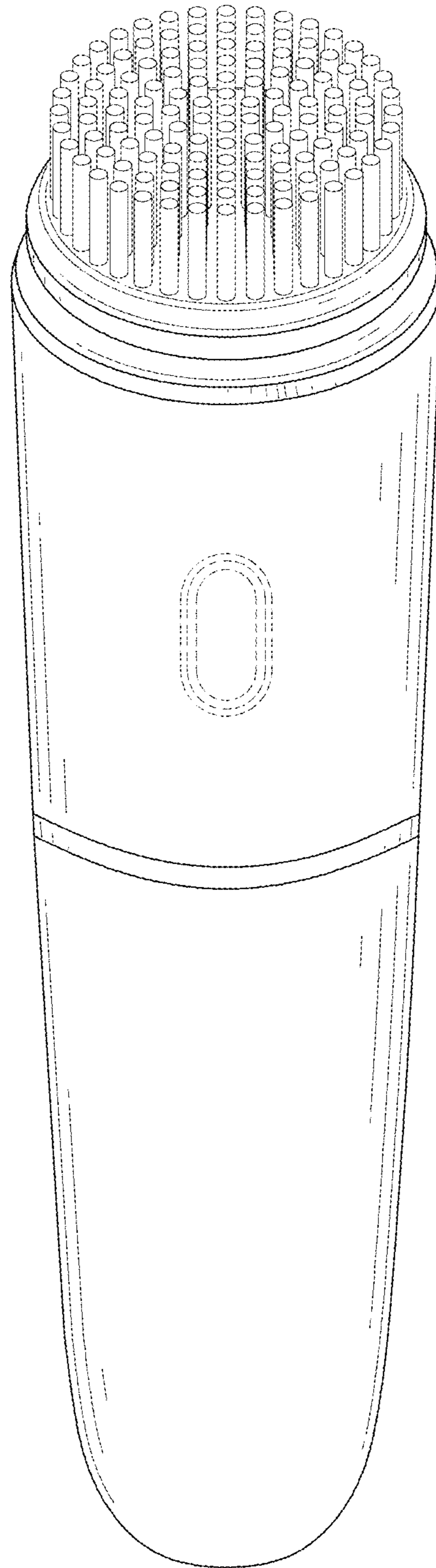


FIG. 3

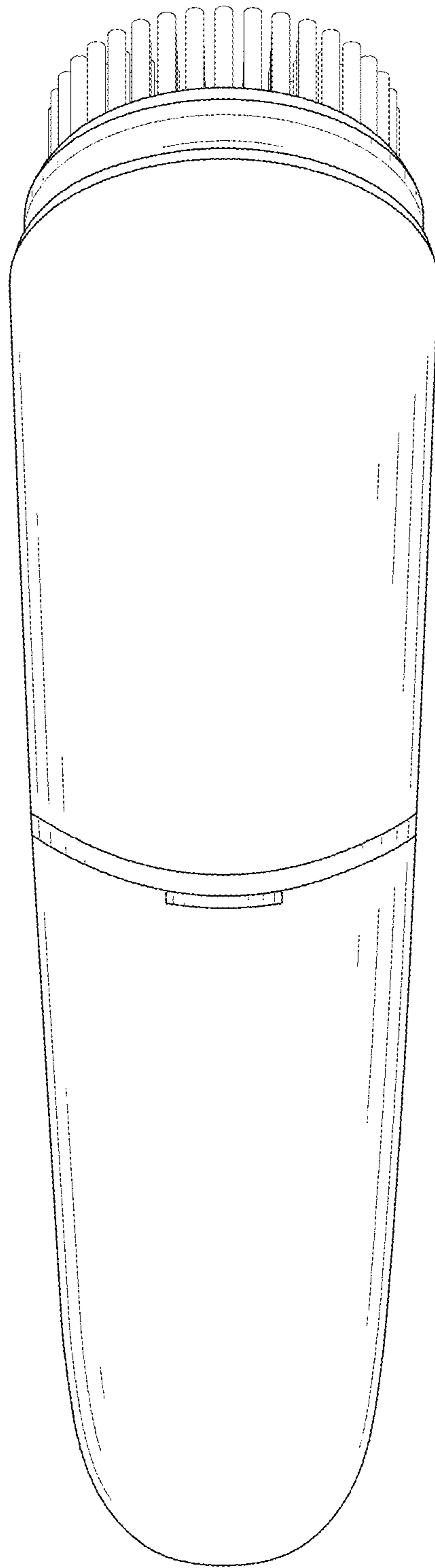


FIG. 4

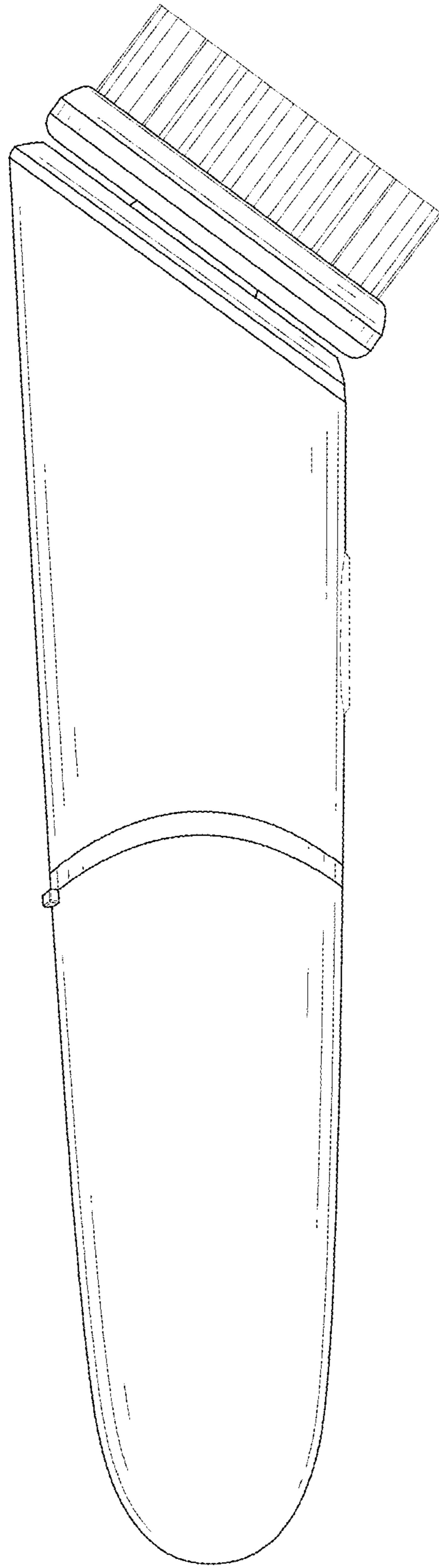


FIG. 5

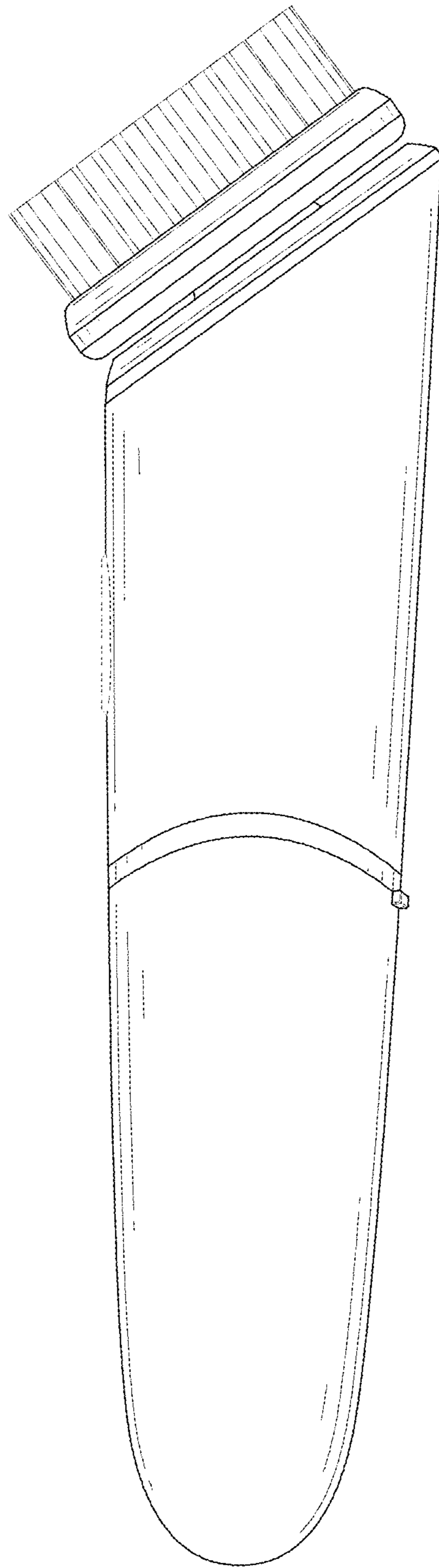


FIG. 6

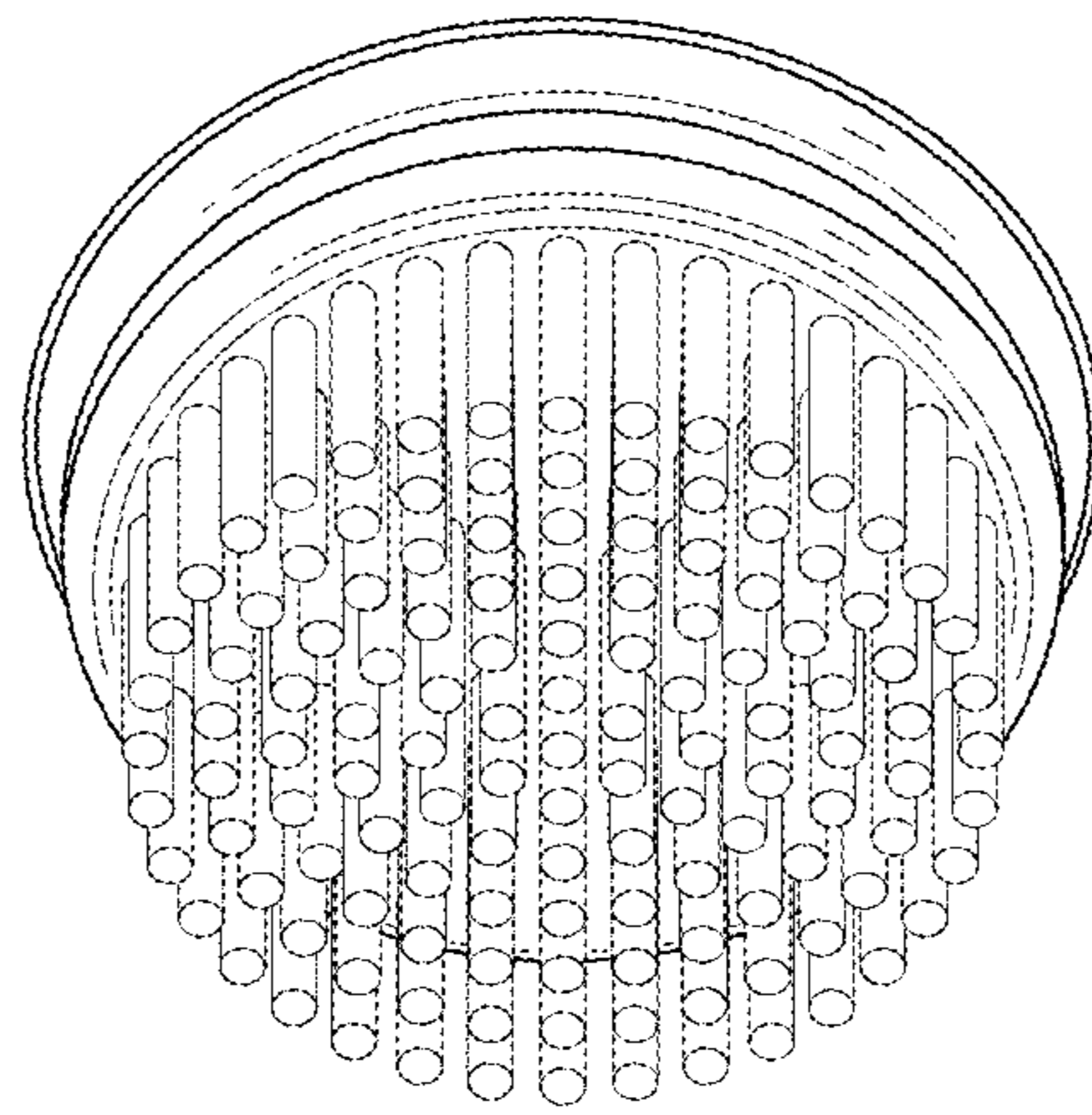


FIG. 7



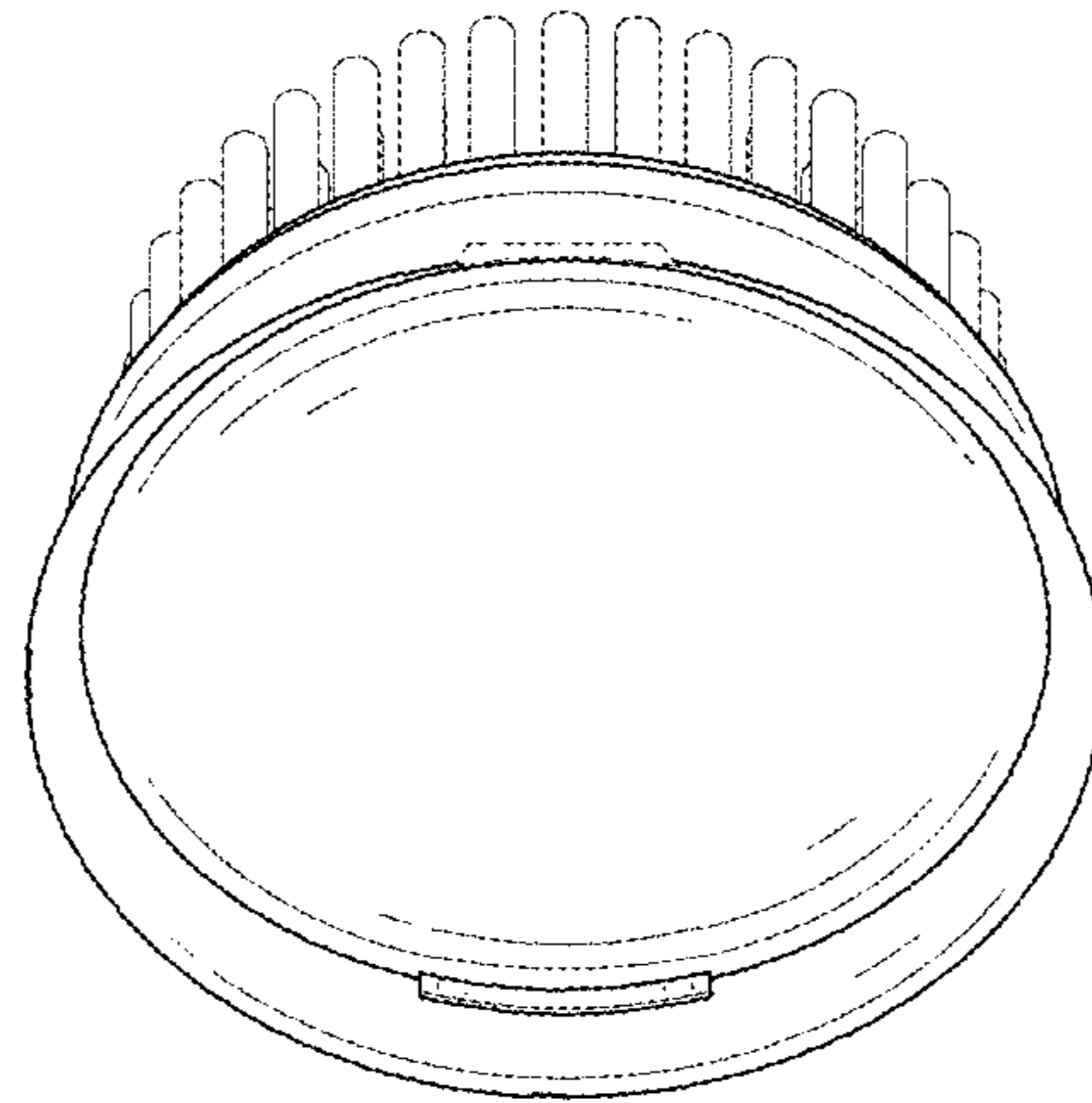


FIG. 8

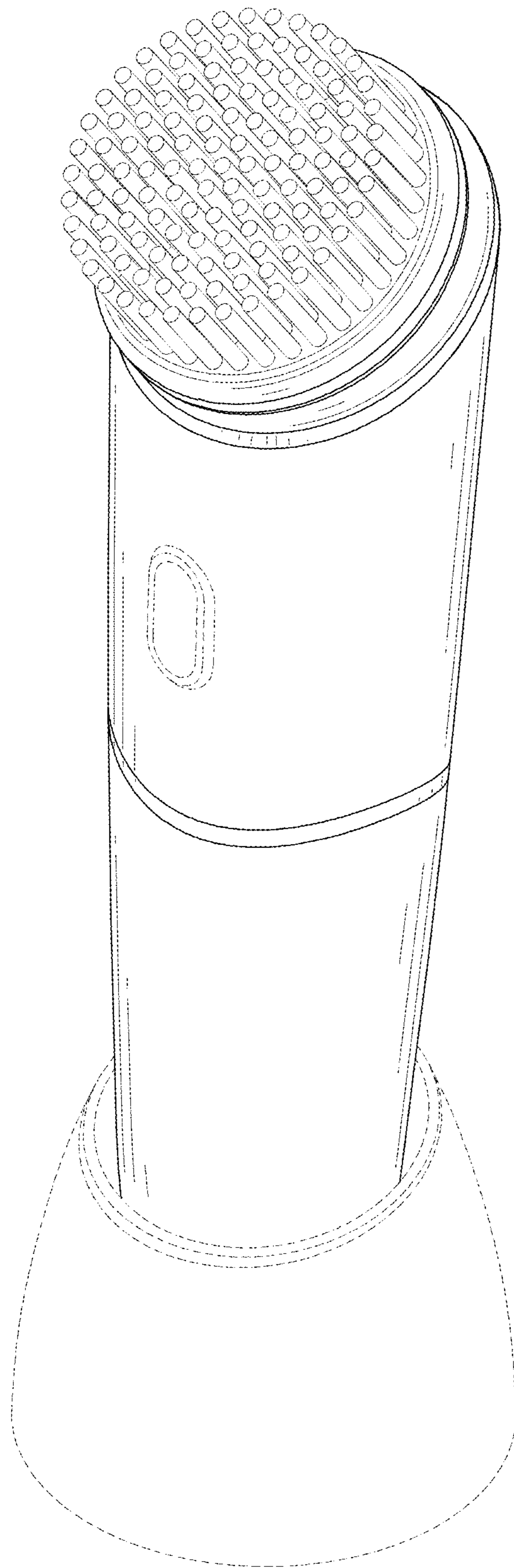


FIG. 9