



US00D893885S

(12) **United States Design Patent** (10) **Patent No.:** **US D893,885 S**  
**Wainless et al.** (45) **Date of Patent:** **\*\* Aug. 25, 2020**

(54) **ORAL CARE IMPLEMENT**  
(71) Applicant: **Colgate-Palmolive Company**, New York, NY (US)  
(72) Inventors: **Daniel Wainless**, New Brunswick, NJ (US); **Christina Herrmann**, Bad Homburg v. d. H. (DE)  
(73) Assignee: **Colgate-Palmolive Company**, New York, NY (US)

D402,119 S 12/1998 Landauer  
D410,787 S 6/1999 Barre et al.  
D443,144 S 6/2001 O'Halloran  
D495,143 S 8/2004 Berde  
D499,885 S \* 12/2004 Xi ..... D4/107  
D509,113 S \* 9/2005 Tranfaglia ..... D7/656  
D509,709 S \* 9/2005 Tranfaglia ..... D7/656  
(Continued)

**FOREIGN PATENT DOCUMENTS**

CN 143230-0001 6/2017

(\*\*) Term: **15 Years**

**OTHER PUBLICATIONS**

(21) Appl. No.: **29/702,796**  
(22) Filed: **Aug. 22, 2019**

3D Top Quality Kid Toothbrush with Monkey Kind Design ([https://www.alibaba.com/product-detail/3D-top-quality-kid-toothbrush-with\\_60157632437.html](https://www.alibaba.com/product-detail/3D-top-quality-kid-toothbrush-with_60157632437.html)).

(Continued)

**Related U.S. Application Data**

(62) Division of application No. 29/643,275, filed on Apr. 6, 2018, now Pat. No. Des. 863,778, which is a division of application No. 29/583,557, filed on Nov. 7, 2016, now Pat. No. Des. 817,002.

*Primary Examiner* — Jasmine Mlinarcik

(51) **LOC (12) Cl.** ..... **04-02**  
(52) **U.S. Cl.**  
USPC ..... **D4/107**

(57) **CLAIM**

The ornamental design for an oral care implement, as shown and described.

(58) **Field of Classification Search**  
USPC ..... D2/952, 982, 632; D4/100, 101, 102, D4/104, 105, 106, 107, 108, 109, 110, D4/111, 112, 113; D5/14, 26, 65; D7/656  
CPC ..... A46B 5/00; A46B 5/021; A46B 5/023; A46B 9/04; A46B 9/10; A46B 2200/106  
See application file for complete search history.

**DESCRIPTION**

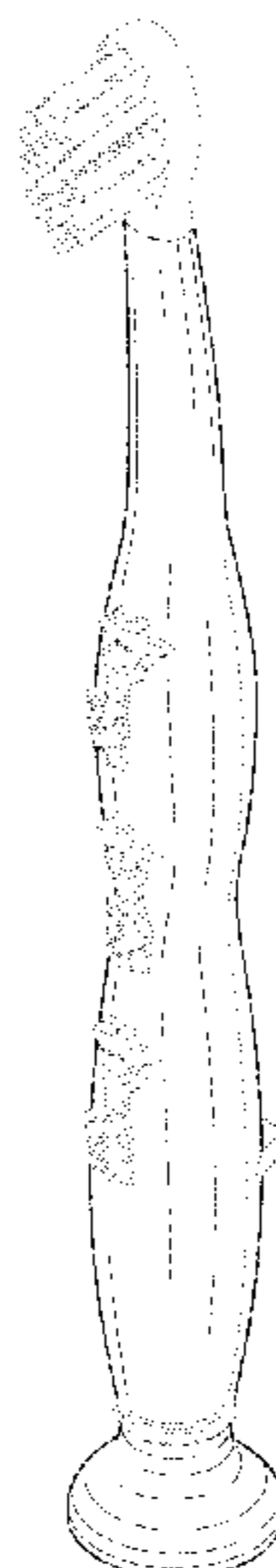
FIG. 1 is a front left perspective view of an oral care implement according to the new design;  
FIG. 2 is a rear right perspective view thereof;  
FIG. 3 is a front view thereof;  
FIG. 4 is a rear view thereof;  
FIG. 5 is a left side view thereof;  
FIG. 6 is a right side view thereof;  
FIG. 7 is an enlarged top view thereof; and,  
FIG. 8 is an enlarged bottom view thereof.  
The broken lines formed by a series of dots illustrate portions of the article that forms no part of the claimed design. The broken lines formed by alternating spaced apart long and short line segments depict the bounds of the claim and form no part of the claimed design.

(56) **References Cited**

**U.S. PATENT DOCUMENTS**

5,187,829 A 2/1993 Atkins  
D346,533 S \* 5/1994 Perry ..... D7/654  
D356,928 S 4/1995 Brown et al.  
D388,254 S 12/1997 Schiffer  
D395,757 S 7/1998 Schiffer

**1 Claim, 4 Drawing Sheets**



(56)

**References Cited**

U.S. PATENT DOCUMENTS

D565,844 S 4/2008 Wong  
 D569,626 S \* 5/2008 Joyce ..... D4/107  
 7,600,285 B2 10/2009 Jimenez et al.  
 D606,759 S 12/2009 Dotterman et al.  
 D623,413 S 9/2010 Blanchard et al.  
 8,079,109 B2 12/2011 Misner et al.  
 D653,454 S 2/2012 Wong  
 D654,695 S 2/2012 Jimenez et al.  
 D661,098 S 6/2012 Nanda  
 D664,359 S 7/2012 Xi et al.  
 D676,243 S 2/2013 Lee et al.  
 D676,720 S 2/2013 Attinello  
 D678,679 S 3/2013 Xi et al.  
 D689,699 S 9/2013 Xi et al.  
 D693,127 S 11/2013 Xi et al.  
 D697,719 S 1/2014 Xi et al.  
 D697,721 S 1/2014 Xi et al.  
 9,084,472 B2 7/2015 Patel  
 D738,627 S 9/2015 Xi et al.  
 D751,294 S 3/2016 Xi et al.  
 D765,989 S 9/2016 Garcia Mahiques  
 D776,436 S 1/2017 Xi et al.

D794,338 S 8/2017 Griffin  
 D817,002 S 5/2018 Wainless et al.  
 D817,003 S 5/2018 Wainless et al.  
 D834,326 S 11/2018 Wainless et al.  
 D882,959 S \* 5/2020 Xi ..... D4/101  
 2002/0100134 A1 8/2002 Dunn et al.  
 2003/0088933 A1 5/2003 Woods et al.  
 2010/0101034 A1 4/2010 Huang  
 2011/0125677 A1 5/2011 Edelstein et al.  
 2015/0013088 A1 1/2015 Li  
 2017/0013952 A1 1/2017 Li

OTHER PUBLICATIONS

BrushBuddies Swinging Sam (Monkey) Toothbrush (<http://www.brushbuddies.com/swinging-sammy-product.html>).  
 BSA Kids Toothbrush (Giraffe) (<http://www.bsa2u.com.my/en/toothbrush/296-kids-toothbrush-giraffe.html>).  
 Nylon Bristles Giraffe Shape Kids Toothbrush ([https://www.alibaba.com/product-detail/Nylon-bristles-giraffe-shape-kids-toothbrush\\_60048509209.html](https://www.alibaba.com/product-detail/Nylon-bristles-giraffe-shape-kids-toothbrush_60048509209.html)).  
 TePe Zoo Giraffe Kids Toothbrush (<https://oracare4u.com.au/product/t612/>).

\* cited by examiner

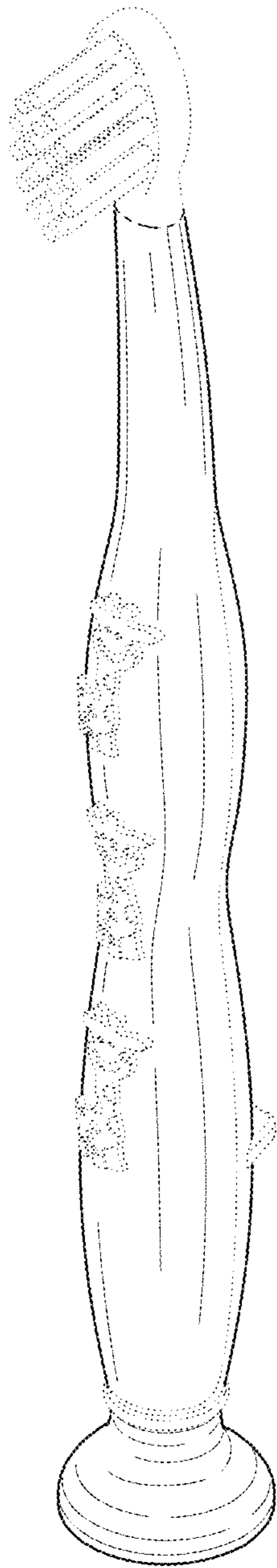


FIG. 1

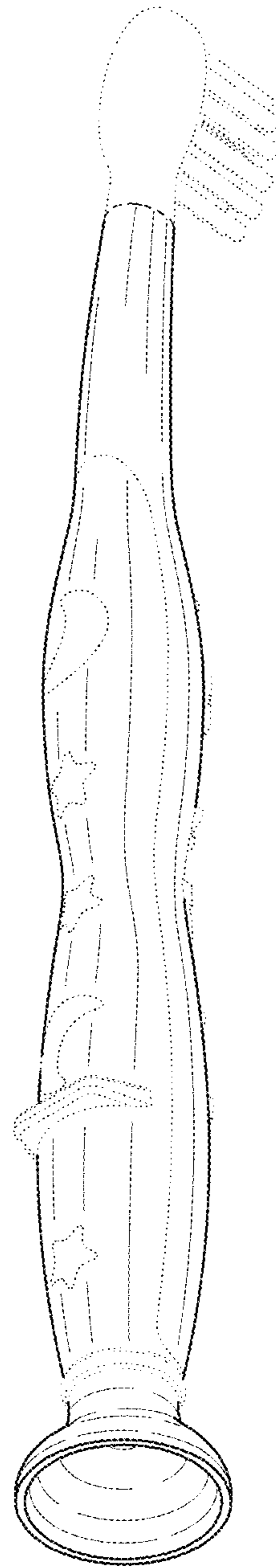


FIG. 2

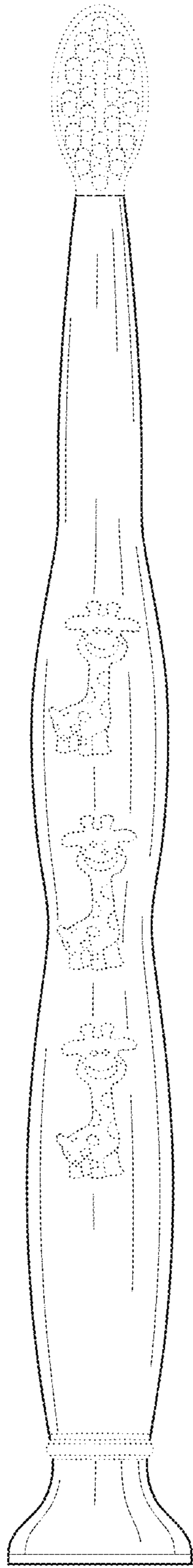


FIG. 3

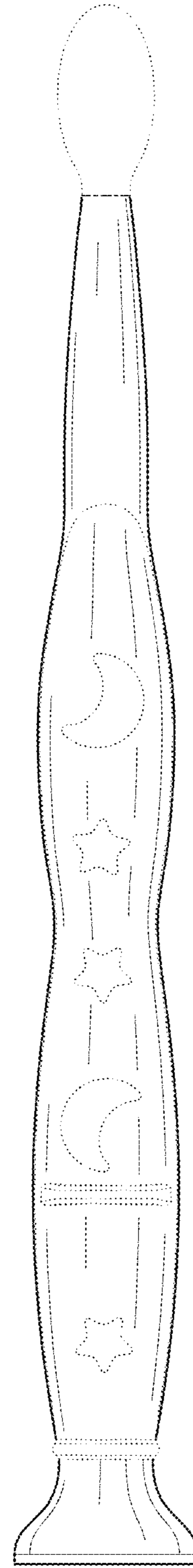


FIG. 4

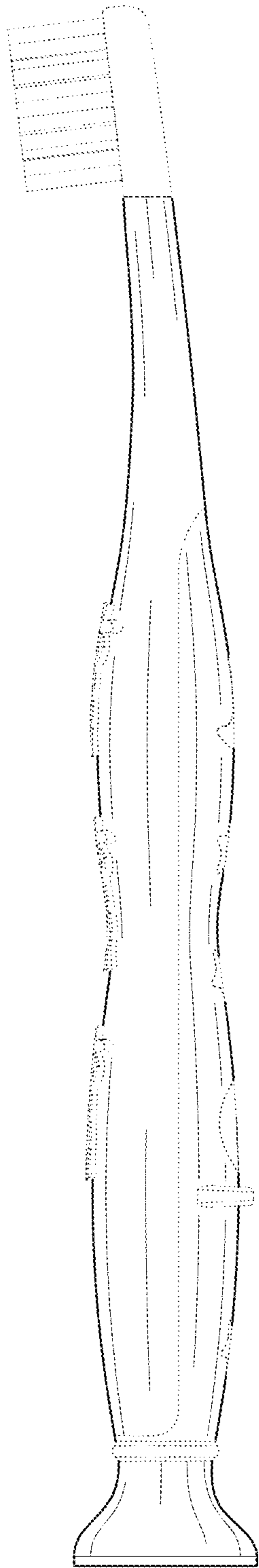


FIG. 5

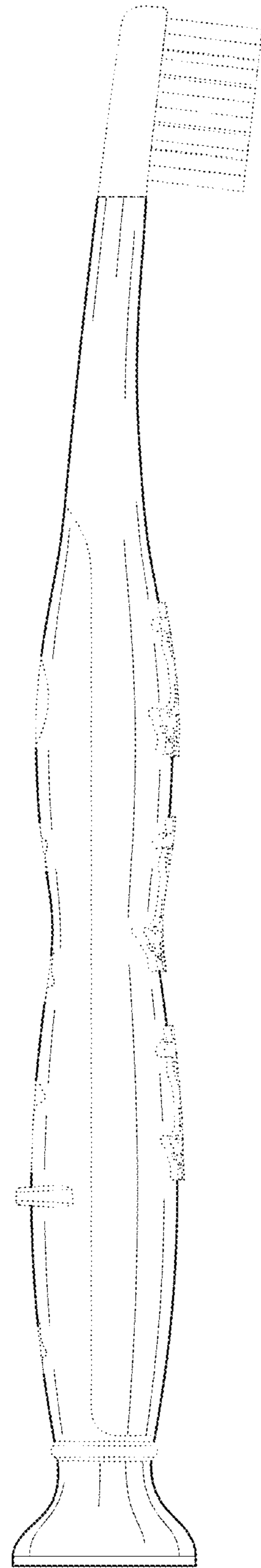


FIG. 6



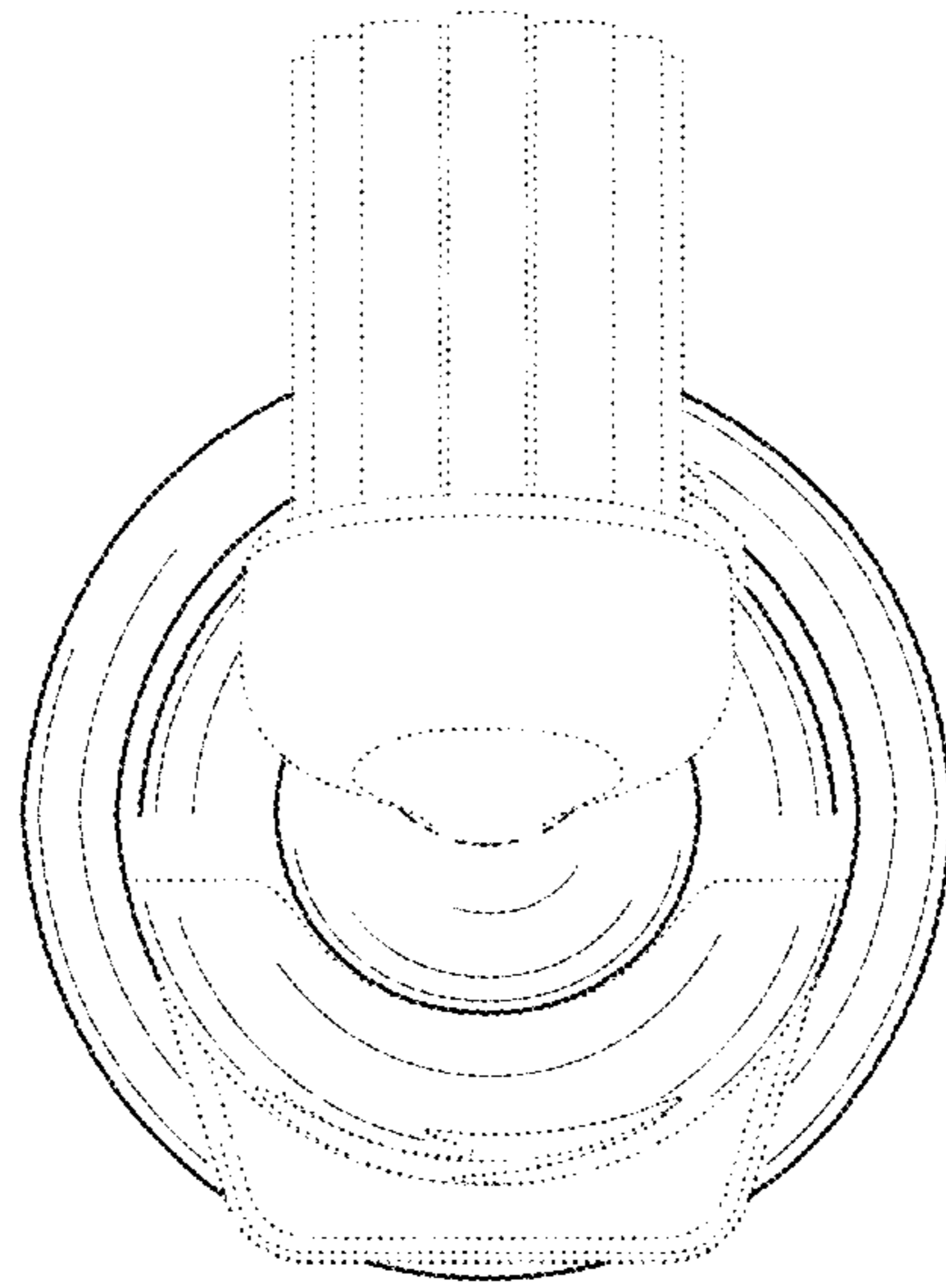


FIG. 7

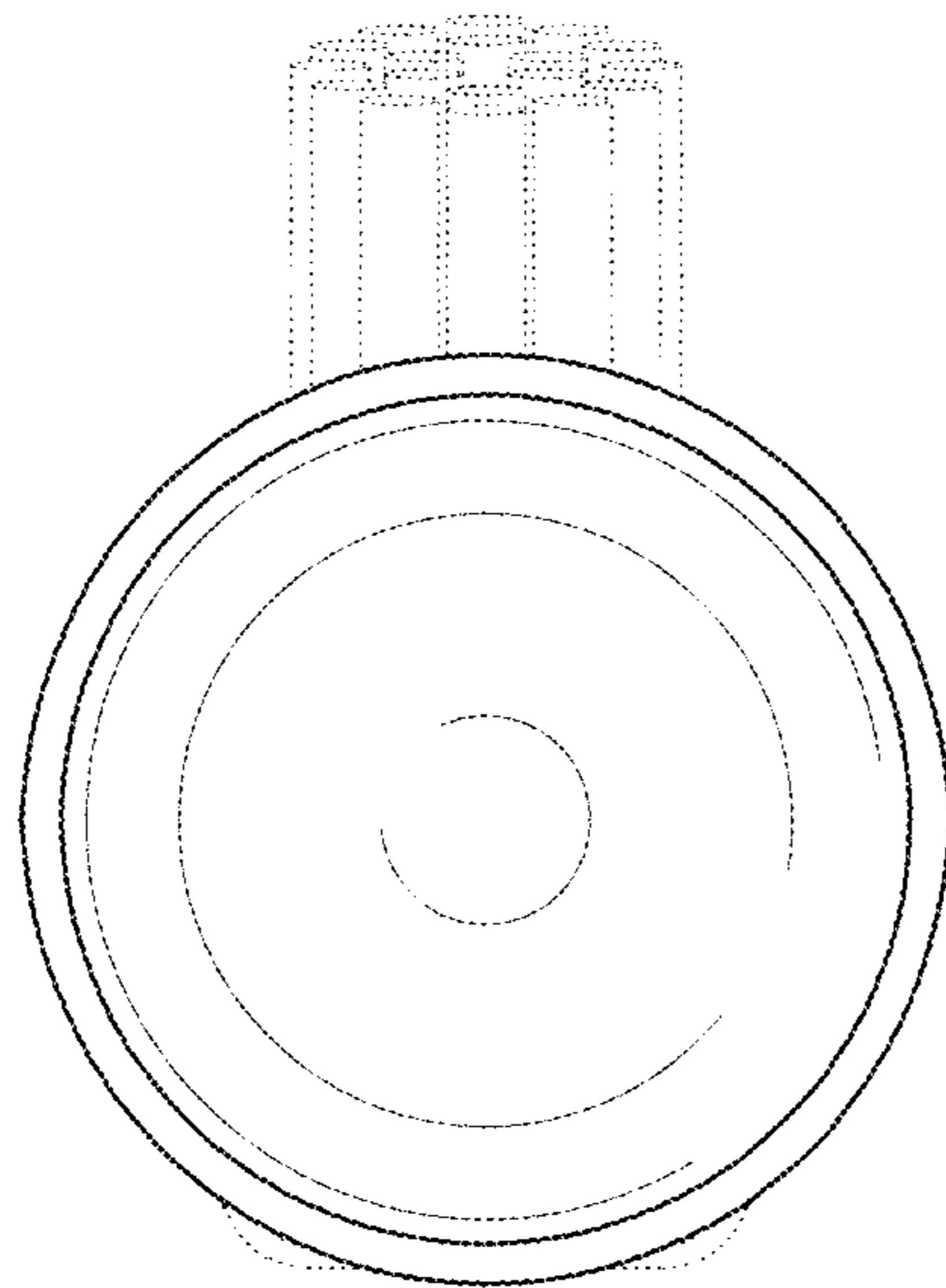


FIG. 8