



US00D893884S

(12) **United States Design Patent** (10) **Patent No.:** **US D893,884 S**
Wainless et al. (45) **Date of Patent:** **** Aug. 25, 2020**

(54) **ORAL CARE IMPLEMENT**

(71) Applicant: **Colgate-Palmolive Company**, New York, NY (US)

(72) Inventors: **Daniel Wainless**, New Brunswick, NJ (US); **Christina Herrmann**, Bad Homburg v. d. H. (DE)

(73) Assignee: **Colgate-Palmolive Company**, New York, NY (US)

(**) Term: **15 Years**

(21) Appl. No.: **29/701,391**

(22) Filed: **Aug. 12, 2019**

Related U.S. Application Data

(62) Division of application No. 29/665,653, filed on Oct. 5, 2018, now Pat. No. Des. 864,579, which is a division of application No. 29/643,708, filed on Apr. 11, 2018, now Pat. No. Des. 834,326, which is a division of application No. 29/583,560, filed on Nov. 7, 2016, now Pat. No. Des. 817,003.

(51) **LOC (12) Cl.** **04-02**

(52) **U.S. Cl.**
USPC **D4/107**

(58) **Field of Classification Search**
USPC D2/952, 982, 632; D4/100, 101, 102, D4/104, 105, 106, 107, 108, 109, 110, D4/111, 112, 113; D5/14, 26, 65; D7/656
CPC A46B 5/00; A46B 5/021; A46B 5/023; A46B 9/04; A46B 9/10; A46B 2200/106
See application file for complete search history.

(56) **References Cited**

U.S. PATENT DOCUMENTS

D346,533 S * 5/1994 Perry D7/654
D443,144 S * 6/2001 O'Halloran D4/111

D499,885 S * 12/2004 Xi D4/107
D509,113 S * 9/2005 Tranfaglia D7/656
D565,844 S * 4/2008 Wong D4/107
7,600,285 B2 10/2009 Jimenez et al.

(Continued)

FOREIGN PATENT DOCUMENTS

CN 143230-0004 6/2017

OTHER PUBLICATIONS

Toothbrush Photo with online review; [review published to the Internet on Feb. 14, 2020]; [retrieved from the Internet on May 8, 2020]; URL: <https://www.amazon.com/Colgate-Toothbrushes-Bristles-Suction-Holder/dp/B082F1P8C2?th=1>. (1 page). (Year: 2020).*

(Continued)

Primary Examiner — Jasmine Mlinarcik

(57) **CLAIM**

The ornamental design for an oral care implement, as shown and described.

DESCRIPTION

FIG. 1 is a front left perspective view of an oral care implement;
FIG. 2 is a rear right perspective view thereof;
FIG. 3 is a front view thereof;
FIG. 4 is a rear view thereof;
FIG. 5 is a left side view thereof;
FIG. 6 is a right side view thereof;
FIG. 7 is an enlarged top view thereof; and,
FIG. 8 is an enlarged bottom view thereof.
The broken lines formed by a series of dots illustrate portions of the oral care implement that forms no part of the claimed design. The broken lines formed by alternating spaced apart long and short line segments depict the bounds of the claim and form no part of the claimed design.

1 Claim, 4 Drawing Sheets



(56)

References Cited

U.S. PATENT DOCUMENTS

D623,413	S	9/2010	Blanchard et al.	
D653,454	S *	2/2012	Wong	D4/107
D654,695	S	2/2012	Jimenez et al.	
8,161,591	B2	4/2012	Gatzemeyer	
D676,720	S *	2/2013	Attinello	D7/653
D776,436	S *	1/2017	Xi	D4/104
D794,338	S *	8/2017	Griffin	D4/107
D817,003	S *	5/2018	Wainless	D4/107
D864,579	S *	10/2019	Wainless	D4/107
D871,169	S *	12/2019	Malcolm	D7/656
D882,959	S *	5/2020	Xi	D4/101
2010/0101034	A1	4/2010	Huang	
2011/0125677	A1	5/2011	Edelstein et al.	

OTHER PUBLICATIONS

3D Top Quality Kid Toothbrush with Monkey Kind Design (https://www.alibaba.com/product-detail/3D-top-quality-kid-toothbrush-with_60157632437.html).

BrushBuddies Swinging Sam (Monkey) Toothbrush (<http://www.brushbuddies.com/swinging-sammy-product.html>).

BSA Kids Toothbrush (Giraffe) (<http://www.bsa2u.com.my/en/toothbrush/296-kids-toothbrush-giraffe.html>).

Nylon Bristles Giraffe Shape Kids Toothbrush (https://www.alibaba.com/product-detail/Nylon-bristles-giraffe-shape-kids-toothbrush_60048509209.html).

TePe Zoo Giraffe Kids Toothbrush (<https://oracare4u.com.au/product/t612/>).

* cited by examiner

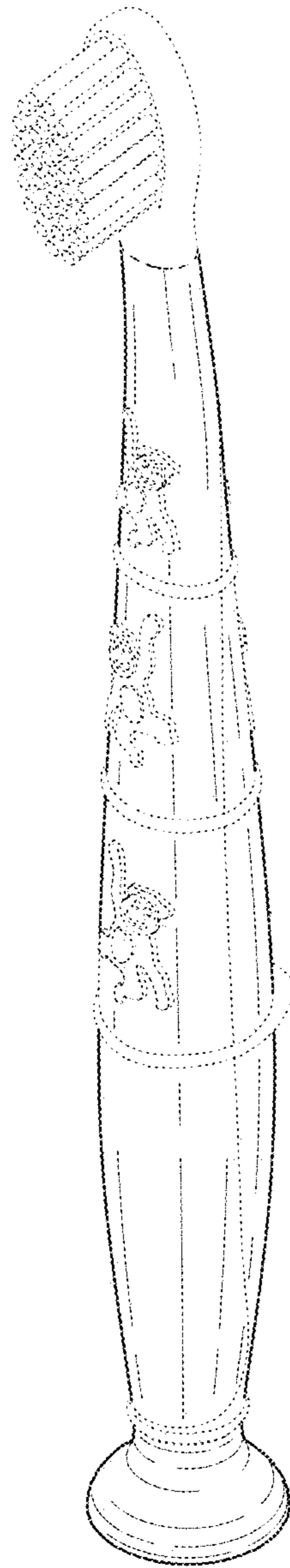


FIG. 1

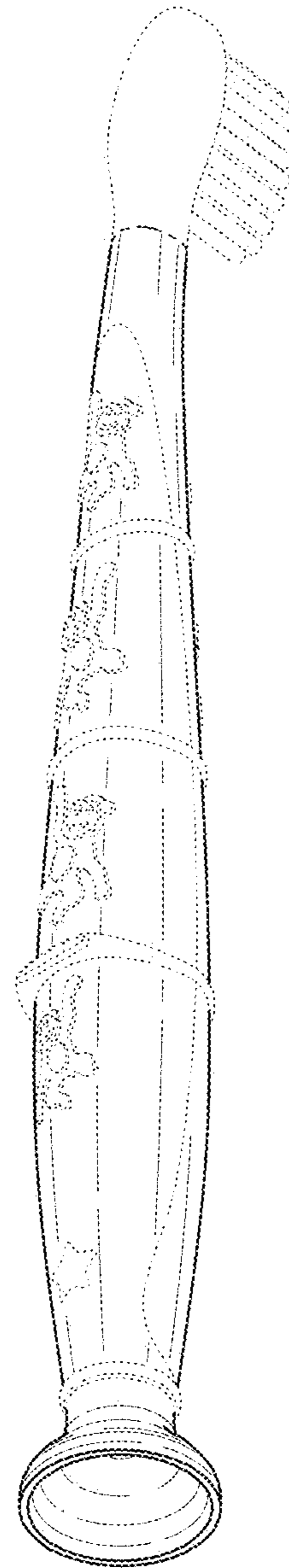


FIG. 2

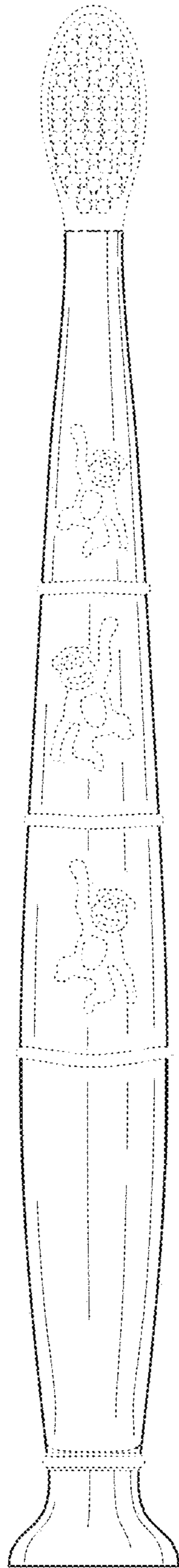


FIG. 3

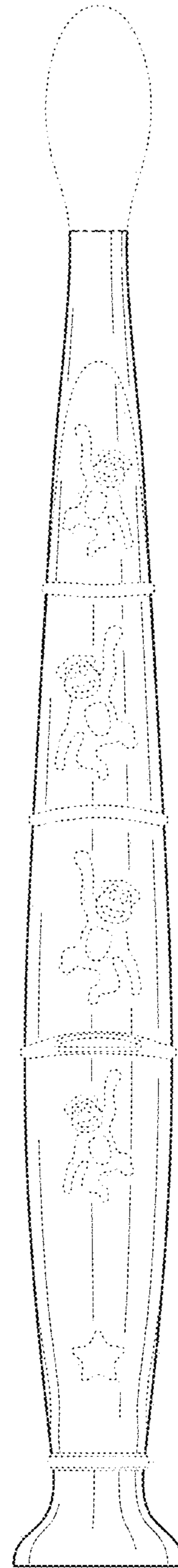


FIG. 4

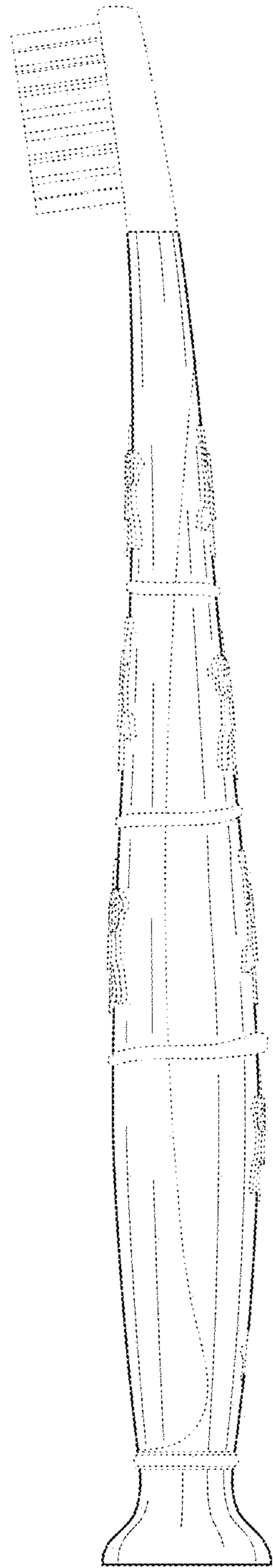


FIG. 5

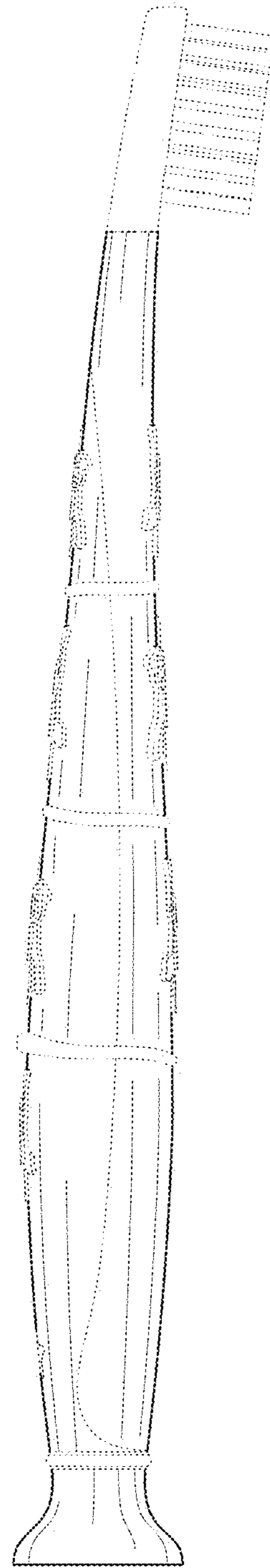


FIG. 6

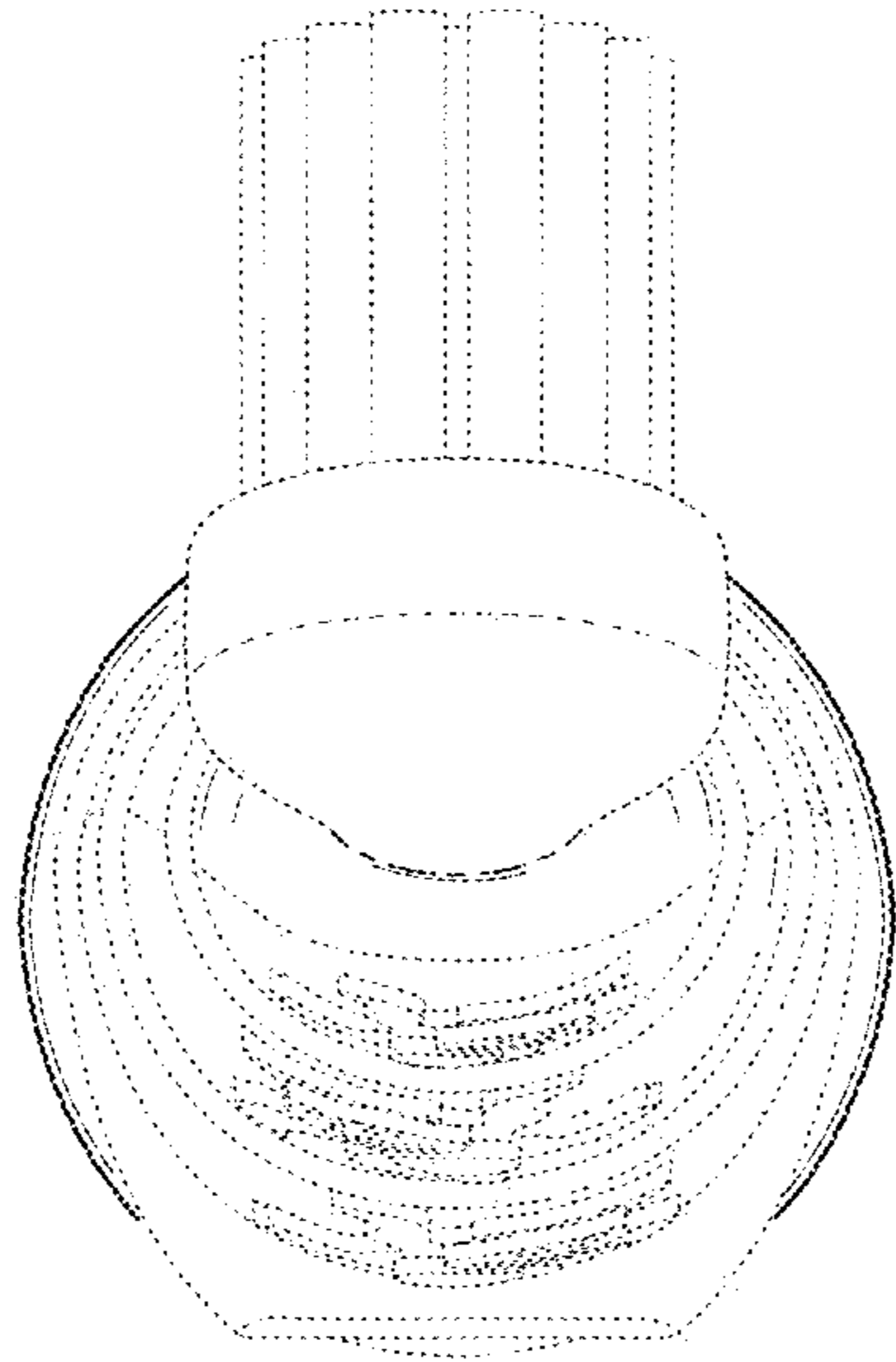


FIG. 7

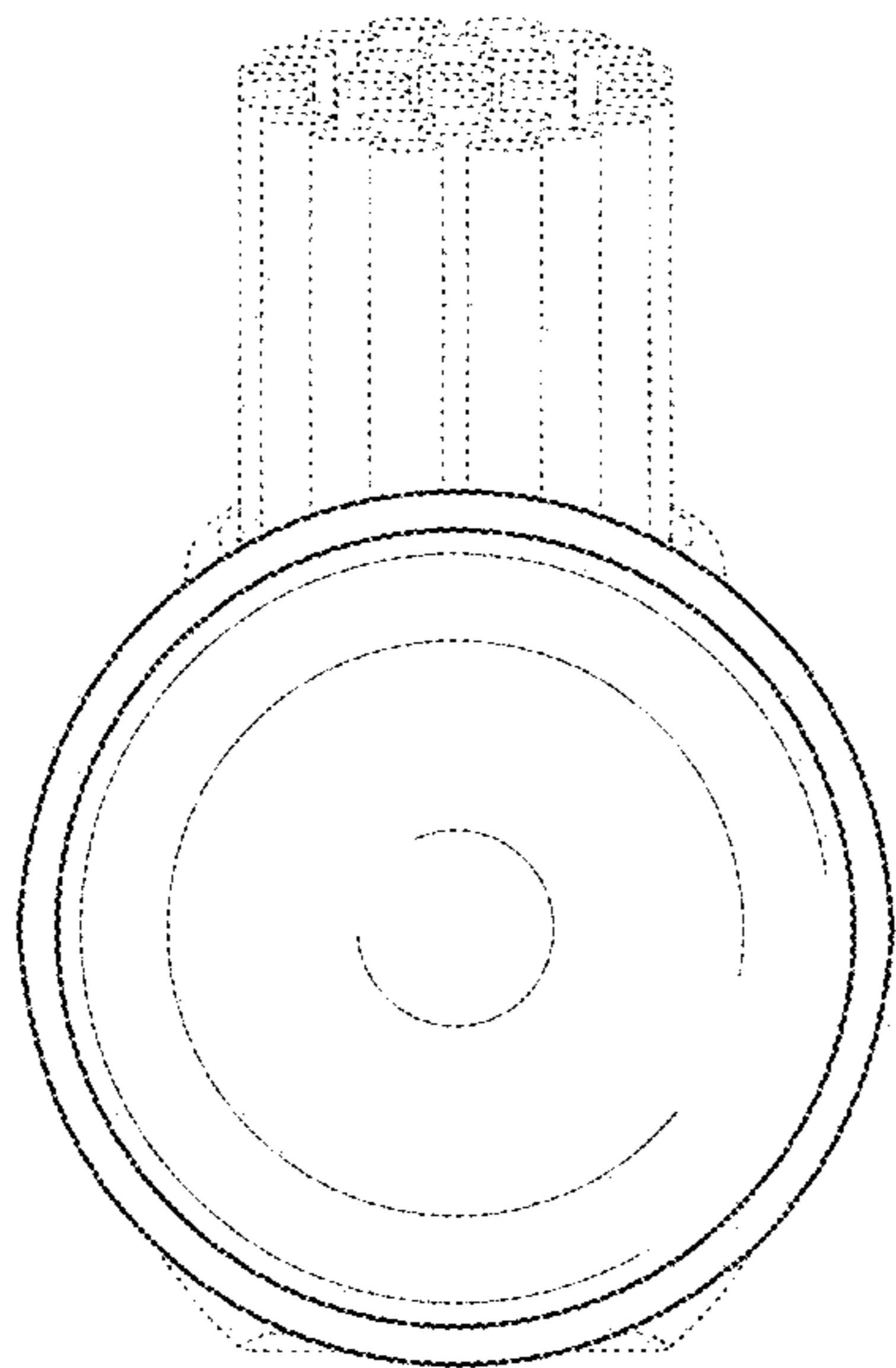


FIG. 8