



US00D893883S

(12) **United States Design Patent** (10) **Patent No.:** **US D893,883 S**  
**Bloch et al.** (45) **Date of Patent:** **\*\* Aug. 25, 2020**

(54) **ORAL CARE IMPLEMENT**

4,929,180 A 5/1990 Moreschini  
5,360,339 A 11/1994 Rosenberg

(71) Applicant: **Colgate-Palmolive Company**, New York, NY (US)

(Continued)

FOREIGN PATENT DOCUMENTS

(72) Inventors: **Brian Bloch**, Hillsborough, NJ (US);  
**Thuanchong Tan**, Shanghai (CN)

CH 143200012 \* 5/2017  
EM 003862416-0014 \* 4/2017

(73) Assignee: **Colgate-Palmolive Company**, New York, NY (US)

(Continued)

OTHER PUBLICATIONS

(\*\*) Term: **15 Years**

(21) Appl. No.: **29/682,235**

Colgate 360 Optic White Platinum Powered Toothbrush . . .  
[on-line]; [review published to the Internet on Aug. 29, 2017];  
[retrieved from the Internet on May 8, 2018]; URL: [https://www.amazon.com/gp/product/B0746NSWJ2/ref=s9\\_dcaesd\\_dcoop\\_bw\\_c\\_x\\_1\\_w](https://www.amazon.com/gp/product/B0746NSWJ2/ref=s9_dcaesd_dcoop_bw_c_x_1_w). (7 pgs). (Year: 2017).\*

(22) Filed: **Mar. 4, 2019**

(Continued)

**Related U.S. Application Data**

(62) Division of application No. 29/585,109, filed on Nov. 21, 2016, now Pat. No. Des. 846,285.

*Primary Examiner* — Jasmine Mlinarcik

(51) **LOC (12) Cl.** ..... **04-02**

(52) **U.S. Cl.**  
USPC ..... **D4/104**

(57) **CLAIM**

(58) **Field of Classification Search**  
USPC ..... D4/100, 101, 102, 104, 105, 107, 108,  
D4/109, 110, 111, 112, 113, 114, 116,  
D4/119, 124; D24/119, 136, 146, 147,  
D24/152, 156, 176, 221  
CPC ..... A46B 5/00; A46B 5/021; A46B 5/0095;  
A46B 9/04; A46B 9/10; A46B 13/008;  
A46B 13/02; A46B 13/04; A46B 13/08;  
A46B 15/0081; A46B 2200/1026; A46B  
2200/106; A46B 2200/1066; A46B  
2200/1073; A46B 2200/108; A46B  
2200/1086  
See application file for complete search history.

The ornamental design for an oral care implement, as shown and described.

**DESCRIPTION**

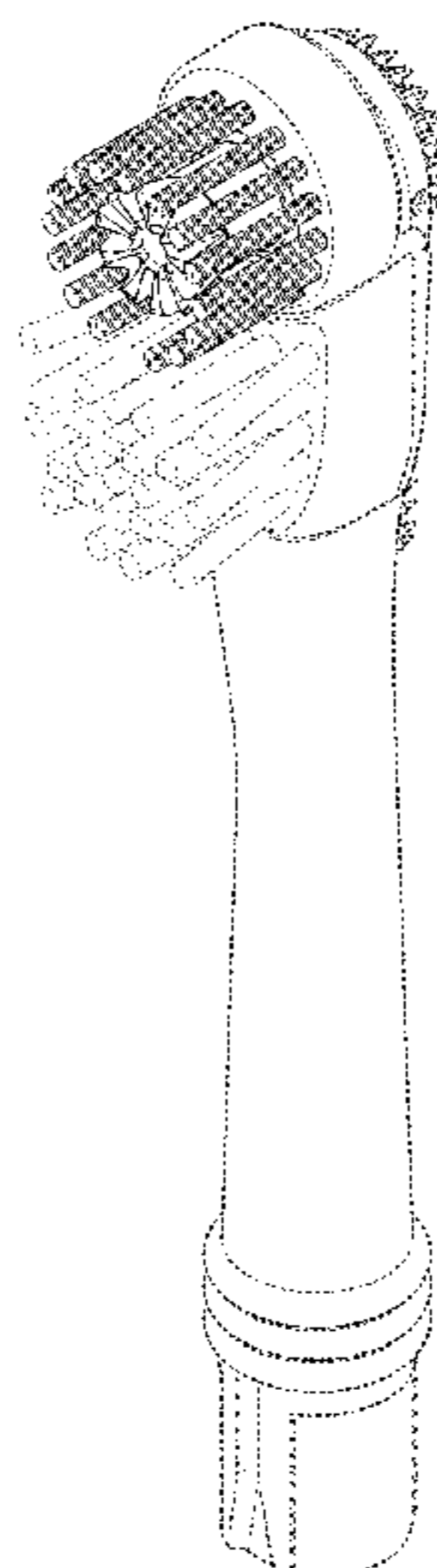
(56) **References Cited**

U.S. PATENT DOCUMENTS

1,255,028 A \* 1/1918 Leonard et al. ... A61H 23/0254  
601/89  
4,795,343 A \* 1/1989 Choisser ..... A61C 17/005  
433/116

FIG. 1 is a front right perspective view of an oral care implement;  
FIG. 2 is a rear left perspective view thereof;  
FIG. 3 is a front view thereof;  
FIG. 4 is a rear view thereof;  
FIG. 5 is a left side view thereof;  
FIG. 6 is a right side view thereof;  
FIG. 7 is an enlarged top view thereof; and,  
FIG. 8 is an enlarged bottom view thereof.  
The broken lines shown in the drawings illustrate portions of the oral care implement that form no part of the claimed design.

**1 Claim, 5 Drawing Sheets**



(56)

References Cited

U.S. PATENT DOCUMENTS

5,416,942 A 5/1995 Baldacci et al.  
D371,199 S \* 6/1996 Mendoza ..... D24/176  
5,584,690 A 12/1996 Maassarani  
D413,385 S \* 8/1999 Hanley ..... D24/176  
6,018,840 A 2/2000 Guay et al.  
6,032,313 A 3/2000 Tsang  
6,146,140 A 11/2000 Bailey  
D450,929 S \* 11/2001 Angelini ..... D4/105  
D485,439 S \* 1/2004 Breit ..... D4/101  
D501,605 S \* 2/2005 Brown, Jr. .... D4/101  
6,889,401 B2 5/2005 Fattori et al.  
7,140,058 B2 11/2006 Gatzemeyer et al.  
7,153,133 B1 \* 12/2006 Chia ..... A61C 17/005  
433/125  
7,160,108 B2 1/2007 Jaffe  
D561,475 S 2/2008 Wang et al.  
D562,560 S \* 2/2008 Hohlbein ..... D4/104  
7,458,647 B2 \* 12/2008 Fischer ..... A46B 9/06  
300/21  
D606,316 S 12/2009 Driesen et al.  
D606,318 S 12/2009 Driesen et al.  
D606,757 S 12/2009 Driesen et al.  
D611,711 S 3/2010 Driesen et al.  
D612,611 S \* 3/2010 Brown, Jr. .... D4/101  
7,725,972 B2 6/2010 Berde et al.  
7,814,603 B2 10/2010 Gavney, Jr.  
7,861,356 B2 1/2011 Kunath et al.  
7,934,284 B2 \* 5/2011 Braun ..... A46B 15/0002  
15/110  
7,941,886 B2 5/2011 Chenvainu et al.  
7,955,079 B2 \* 6/2011 Chronister ..... A61C 17/005  
433/125  
D643,218 S 8/2011 Wagner  
D654,695 S \* 2/2012 Jimenez ..... D4/108  
8,141,192 B2 3/2012 Gavney, Jr.  
8,250,694 B2 8/2012 Gatzemeyer et al.  
D669,688 S \* 10/2012 Jimenez ..... D4/104  
8,302,238 B2 11/2012 Biro et al.  
8,444,416 B2 5/2013 Chenvainu et al.  
D690,515 S 10/2013 Fattori et al.  
8,578,544 B2 11/2013 Brown, Jr. et al.  
D703,443 S 4/2014 Gatzemeyer et al.  
8,695,149 B2 4/2014 Braun et al.

8,784,102 B1 7/2014 Kumar  
D711,655 S 8/2014 Fattori et al.  
D734,614 S 7/2015 Driesen et al.  
9,144,299 B2 9/2015 Fritsch et al.  
D764,804 S \* 8/2016 Lee ..... D4/104  
D765,416 S \* 9/2016 Sosa ..... D4/102  
D769,626 S 10/2016 Bloch et al.  
D776,435 S 1/2017 Bloch et al.  
D799,218 S \* 10/2017 Okai ..... D4/104  
D814,195 S \* 4/2018 Sikora ..... D4/102  
D871,769 S \* 1/2020 Frand ..... D4/101  
D874,156 S \* 2/2020 Altmann ..... D4/127  
D881,580 S \* 4/2020 Smigel ..... D4/101  
2002/0157198 A1 10/2002 Biro et al.  
2005/0050659 A1 \* 3/2005 Chan ..... A61C 17/22  
15/22.1  
2005/0060822 A1 3/2005 Chenvainu et al.  
2006/0064827 A1 3/2006 Chan  
2007/0130705 A1 6/2007 Chan et al.  
2009/0007357 A1 1/2009 Meadows et al.  
2010/0115724 A1 5/2010 Huang  
2010/0132141 A1 6/2010 Chan et al.  
2010/0299857 A1 12/2010 Stief et al.  
2014/0310901 A1 10/2014 Geiberger et al.  
2016/0045081 A1 2/2016 Kern  
2019/0289994 A1 \* 9/2019 Bloch ..... A61C 17/3436

FOREIGN PATENT DOCUMENTS

EM 003862416-0013 \* 7/2017  
EP 0435329 3/1991  
EP 1132022 12/2001  
JP 1271287 5/2006  
WO WO 01/01817 1/2001  
WO WO 2015/016595 5/2015

OTHER PUBLICATIONS

Colgate 360 Optic White Battery Toothbrush . . . [on-line]; [review published to the Internet on Mar. 2, 2014]; [retrieved from the Internet on May 8, 2018]; URL: <https://www.amazon.com/Colgate-Optic-Battery-Toothbrush-Replacement/dp/B009359FD6>. (6 pgs). (Year: 2014).\*

\* cited by examiner

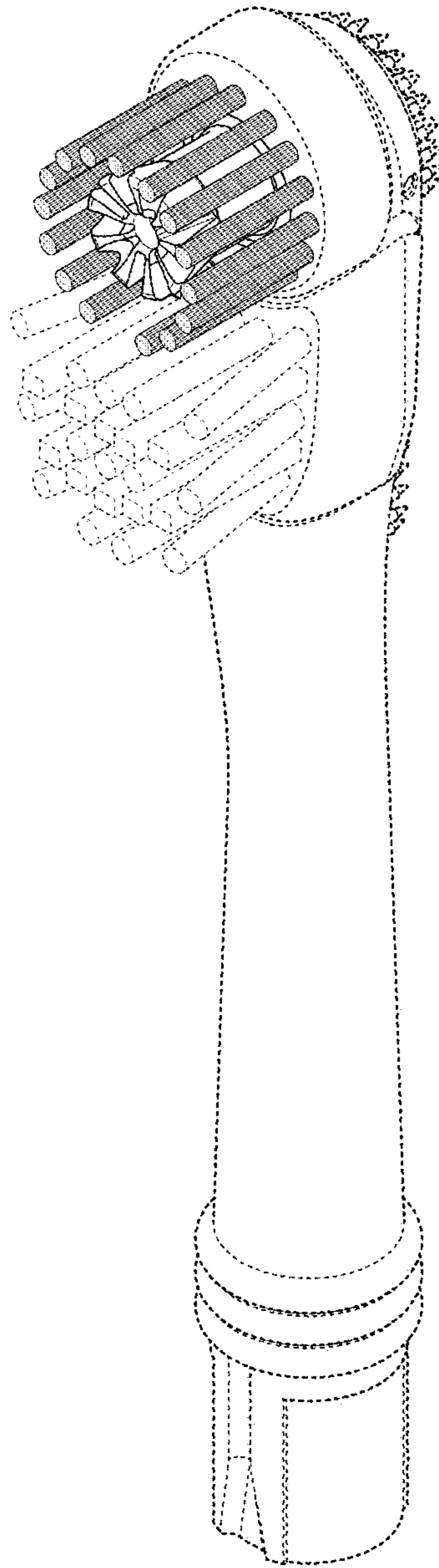


FIG. 1

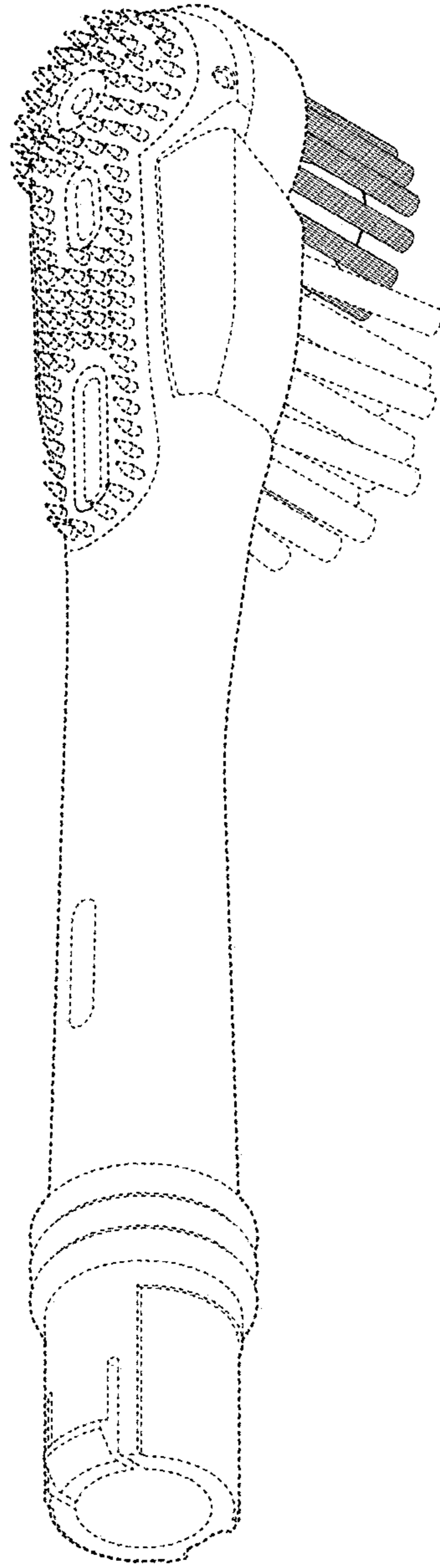


FIG. 2

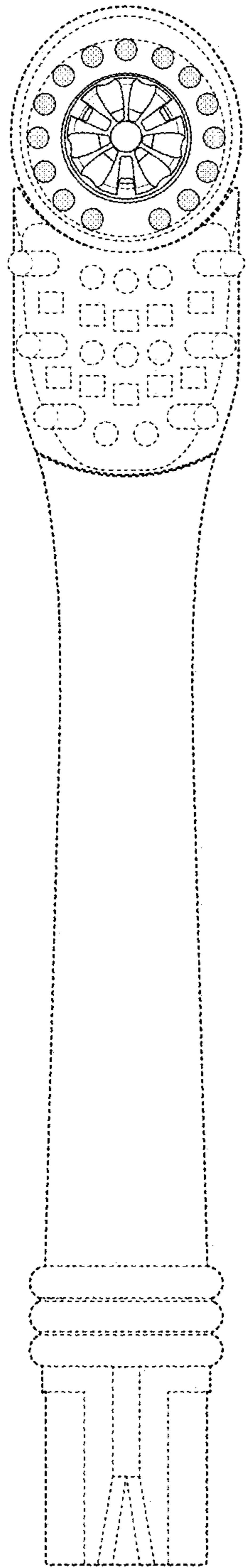


FIG. 3

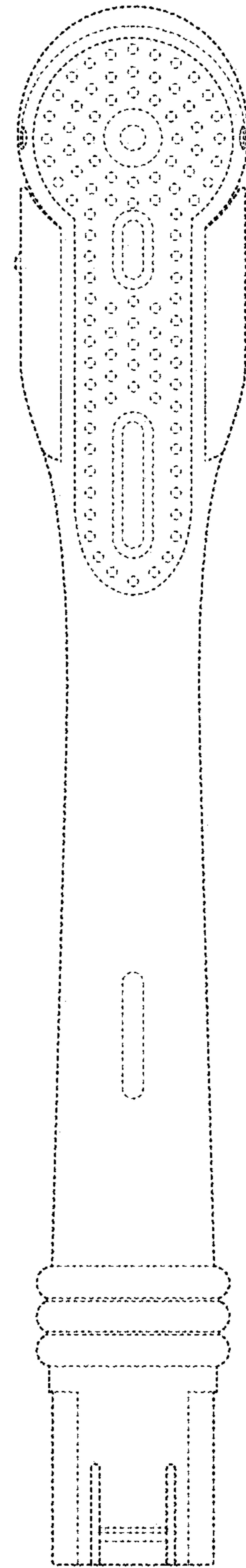


FIG. 4

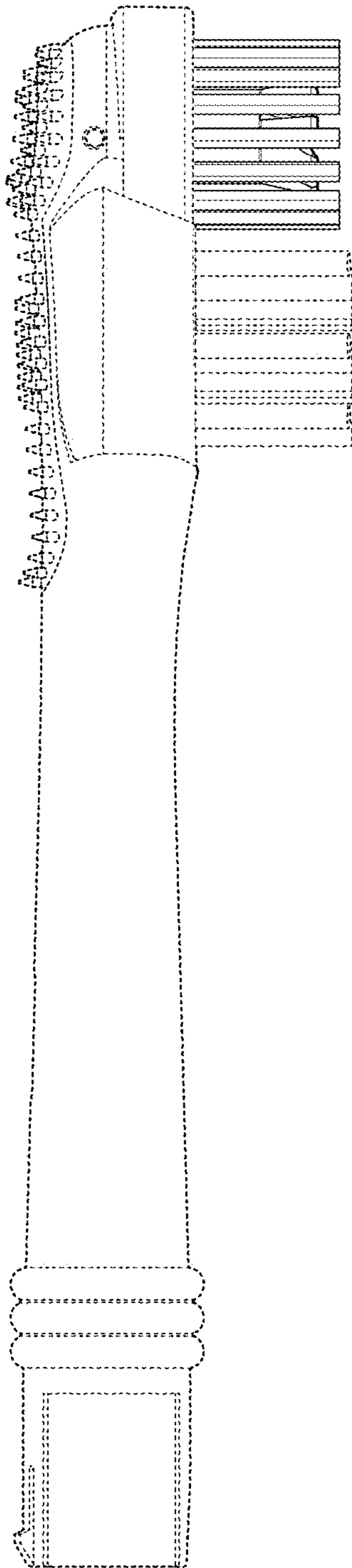


FIG. 5

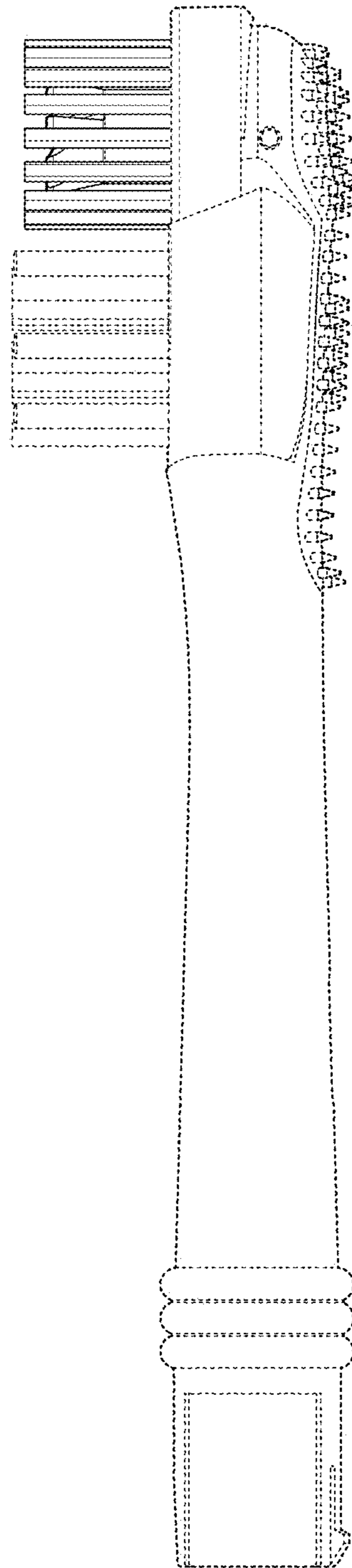


FIG. 6

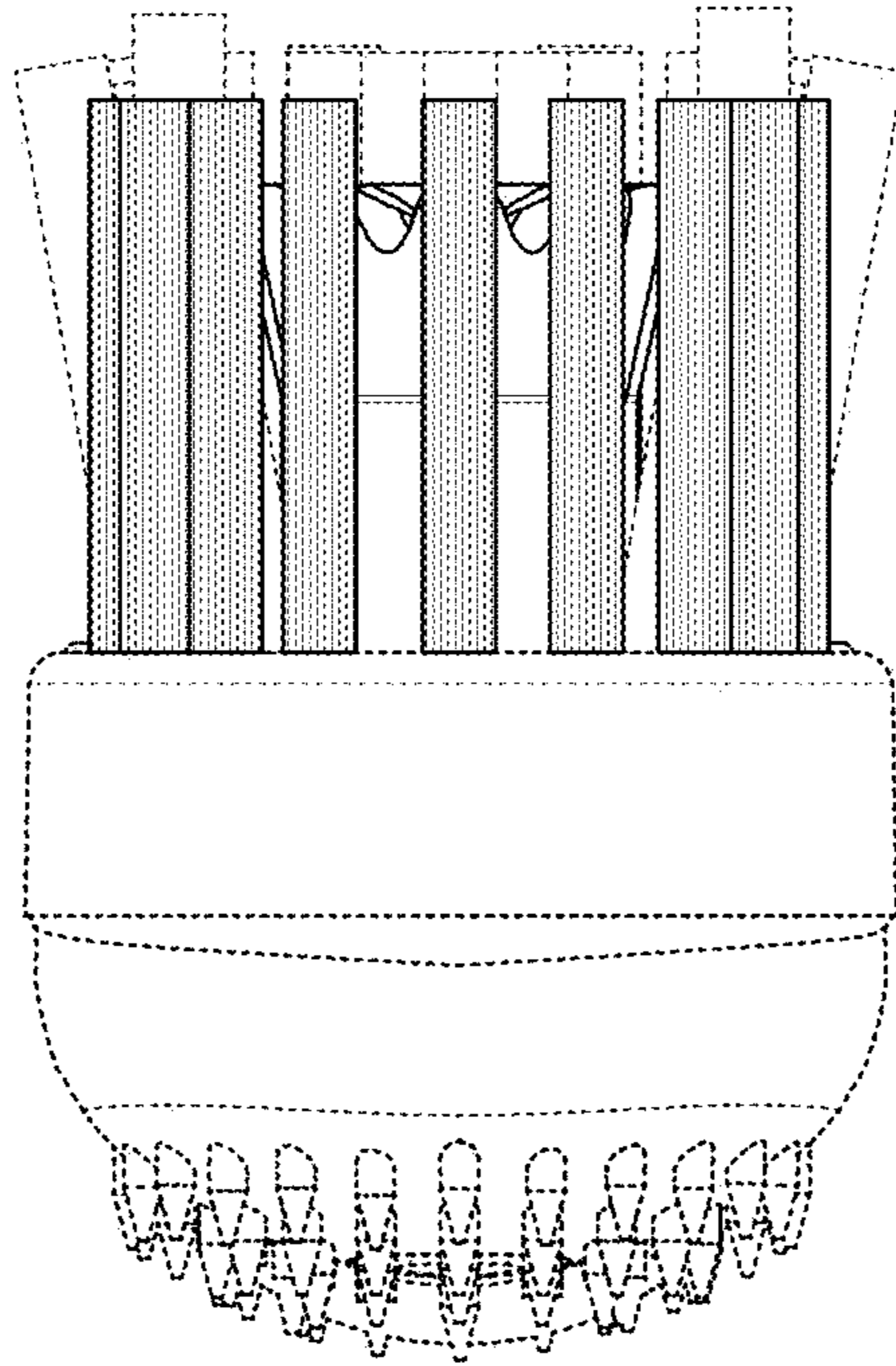


FIG. 7

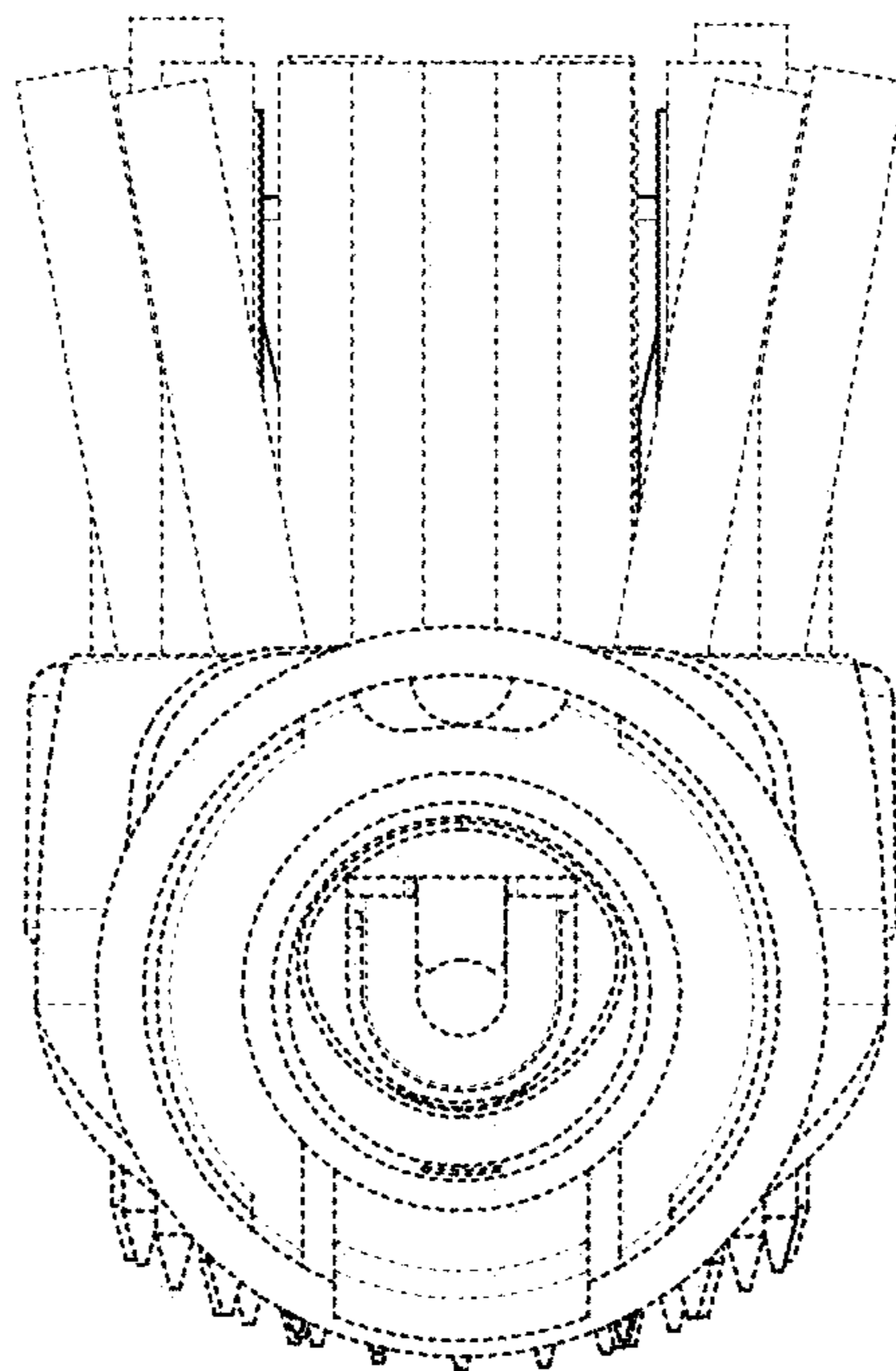


FIG. 8