



US00D893878S

(12) **United States Design Patent**  
**Mather et al.**

(10) **Patent No.:** **US D893,878 S**

(45) **Date of Patent:** **\*\* Aug. 25, 2020**

(54) **BACKPACK**

(71) Applicant: **Thule Sweden AB**, Hillerstorp (SE)

(72) Inventors: **Ryan Mather**, Boulder, CO (US);  
**Adam Rode**, Tacoma, WA (US)

(73) Assignee: **Thule Sweden AB**, Hillerstorp (SE)

(\*\*) Term: **15 Years**

(21) Appl. No.: **29/691,152**

(22) Filed: **May 14, 2019**

(51) **LOC (12) Cl.** ..... **03-01**

(52) **U.S. Cl.**  
USPC ..... **D3/318**; D3/216; D3/217

(58) **Field of Classification Search**  
USPC ..... D3/216–217, 318  
CPC ... A45F 4/02; A45F 3/04; A45C 13/08; A45C  
13/30; A45C 2005/032; A45C 2005/035  
See application file for complete search history.

(56) **References Cited**

**U.S. PATENT DOCUMENTS**

D469,952 S \* 2/2003 Daglow ..... D3/216  
D543,021 S \* 5/2007 Lee ..... D3/216

D745,777 S \* 12/2015 Zwetzig ..... D3/217  
D748,918 S \* 2/2016 Majeau ..... D3/216  
D836,326 S 12/2018 Skaff  
D841,318 S \* 2/2019 Carter ..... D3/217  
D859,818 S \* 9/2019 Wu ..... D3/217

\* cited by examiner

*Primary Examiner* — Holly H Baynham

(74) *Attorney, Agent, or Firm* — Sterne, Kessler,  
Goldstein & Fox P.L.L.C.

(57) **CLAIM**

The ornamental design for a backpack, as shown and described.

**DESCRIPTION**

FIG. 1 is a top front perspective view of a backpack showing the claimed design;  
FIG. 2 is a front view thereof;  
FIG. 3 is a rear view thereof;  
FIG. 4 is a right side view thereof;  
FIG. 5 is a left side view thereof;  
FIG. 6 is a top view thereof; and,  
FIG. 7 is a bottom view thereof.

The broken lines in the figures show portions of the backpack that form no part of the claimed design.

**1 Claim, 7 Drawing Sheets**

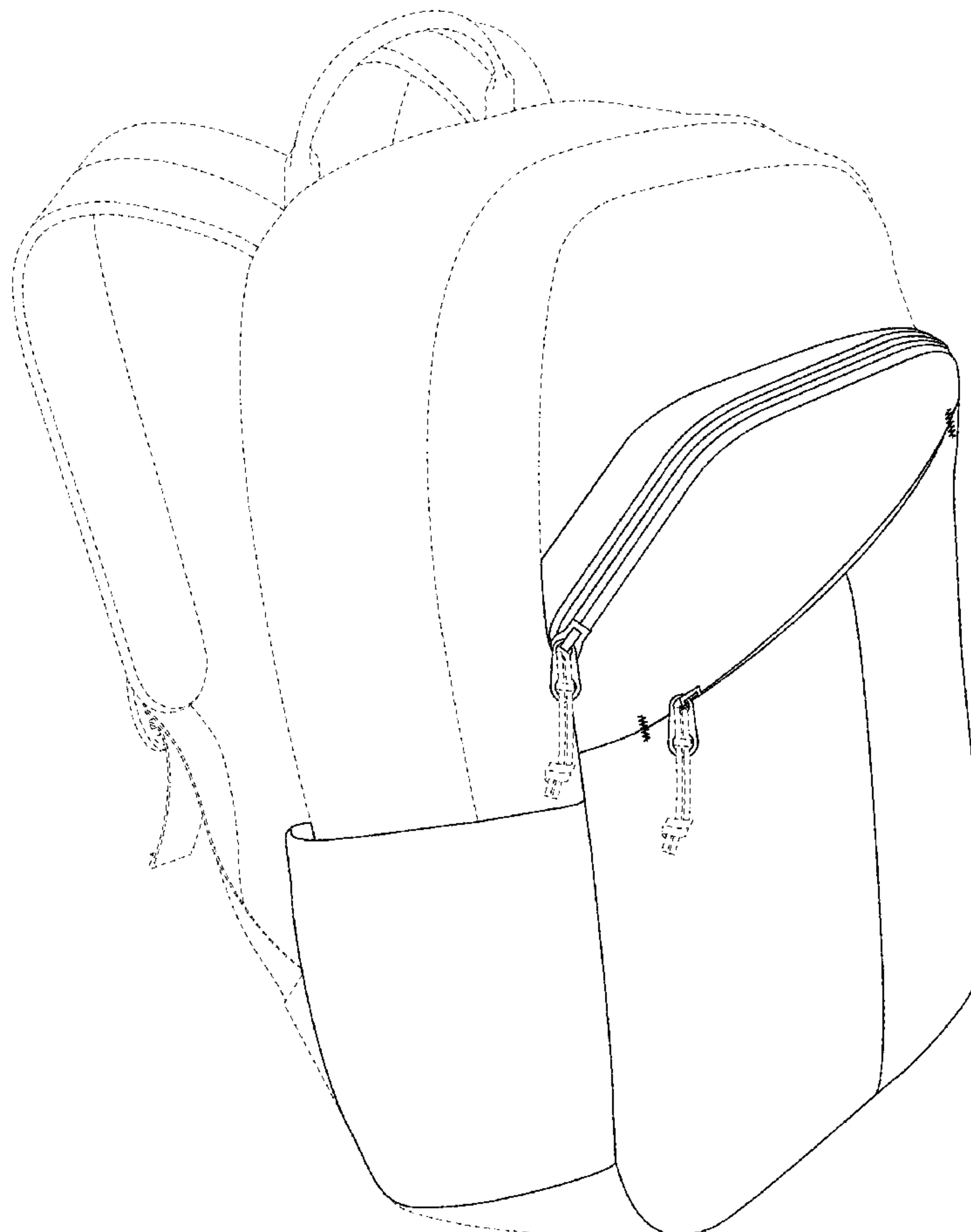




FIG . 1

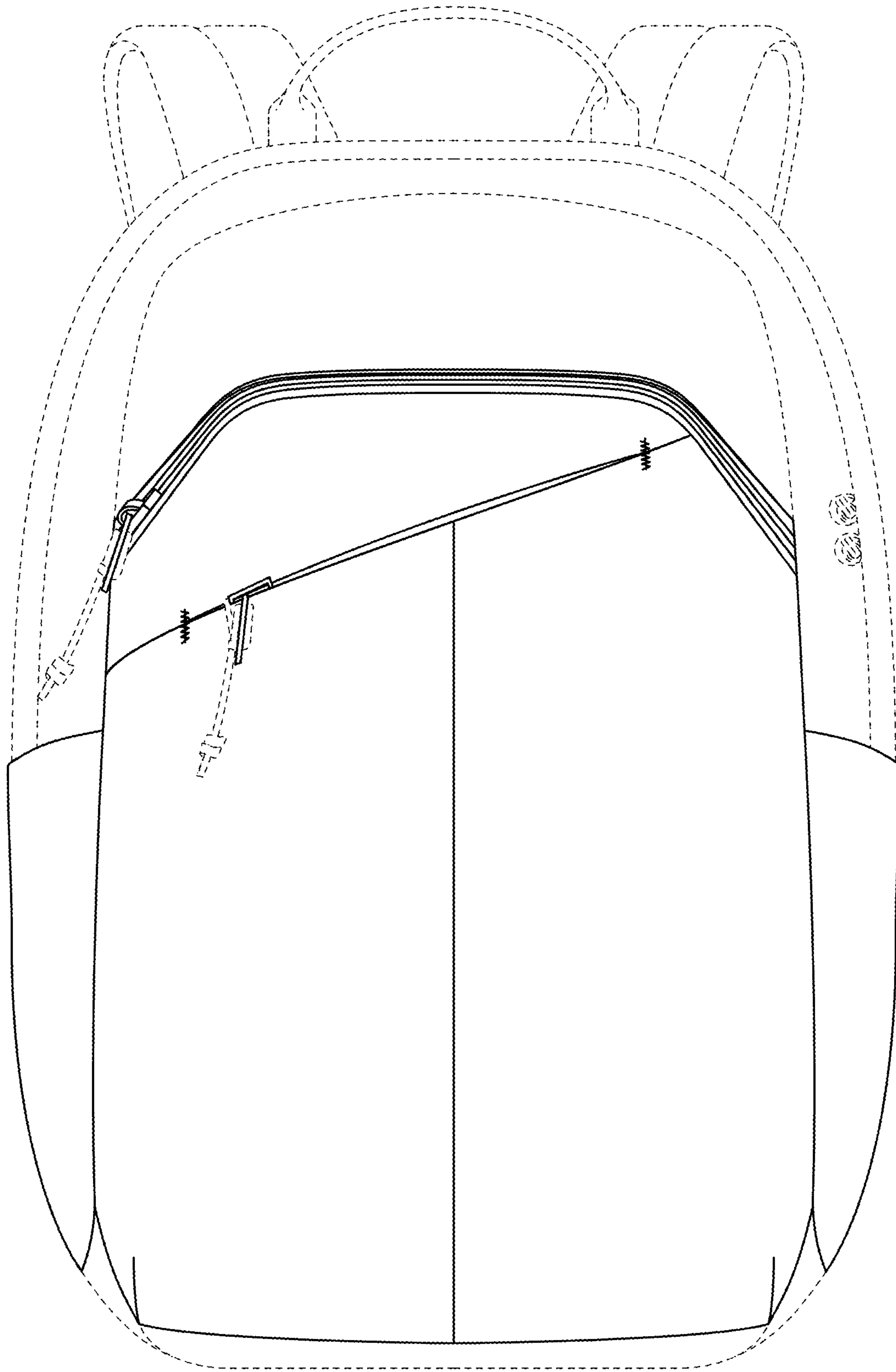


FIG. 2

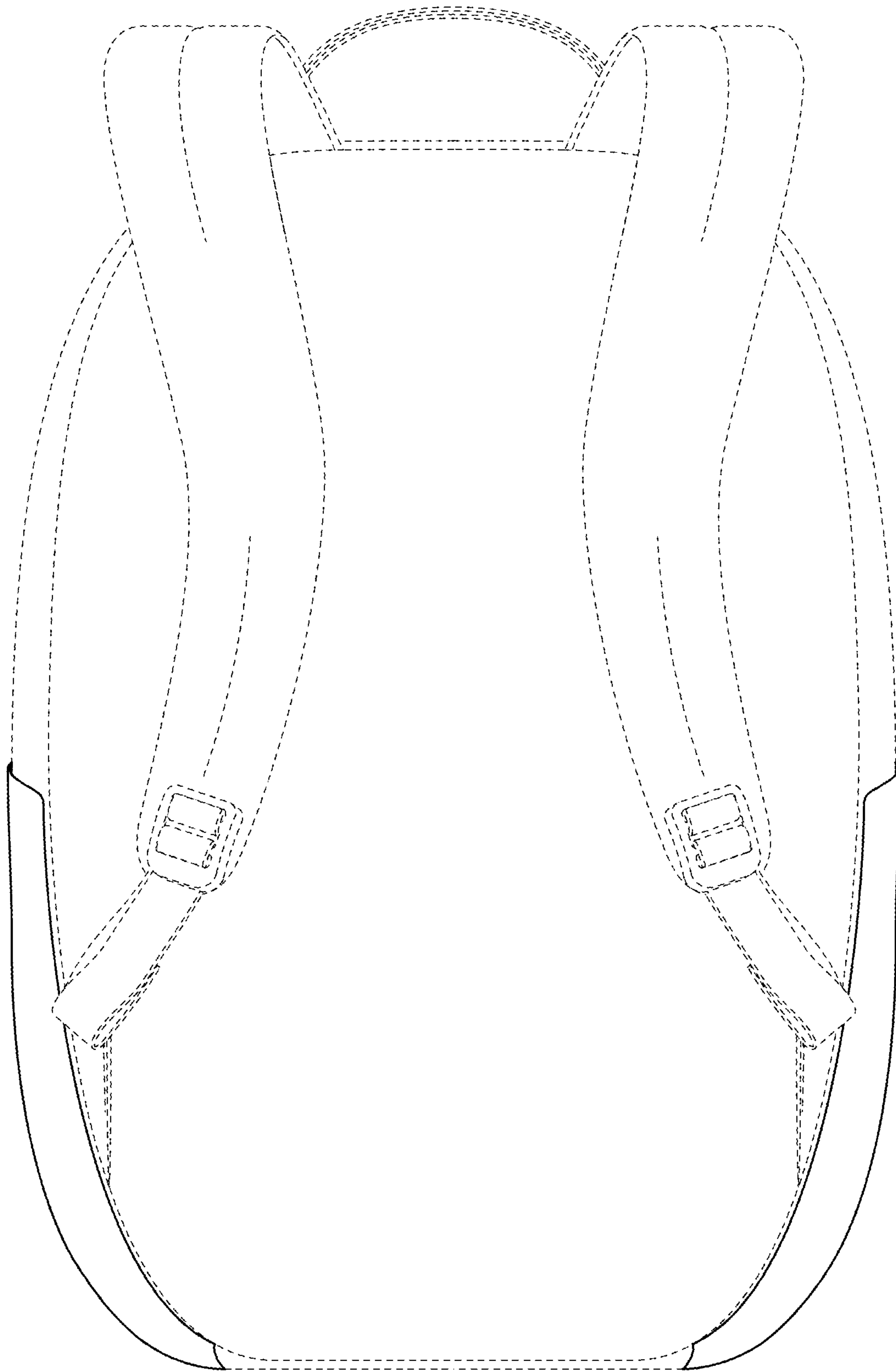


FIG. 3

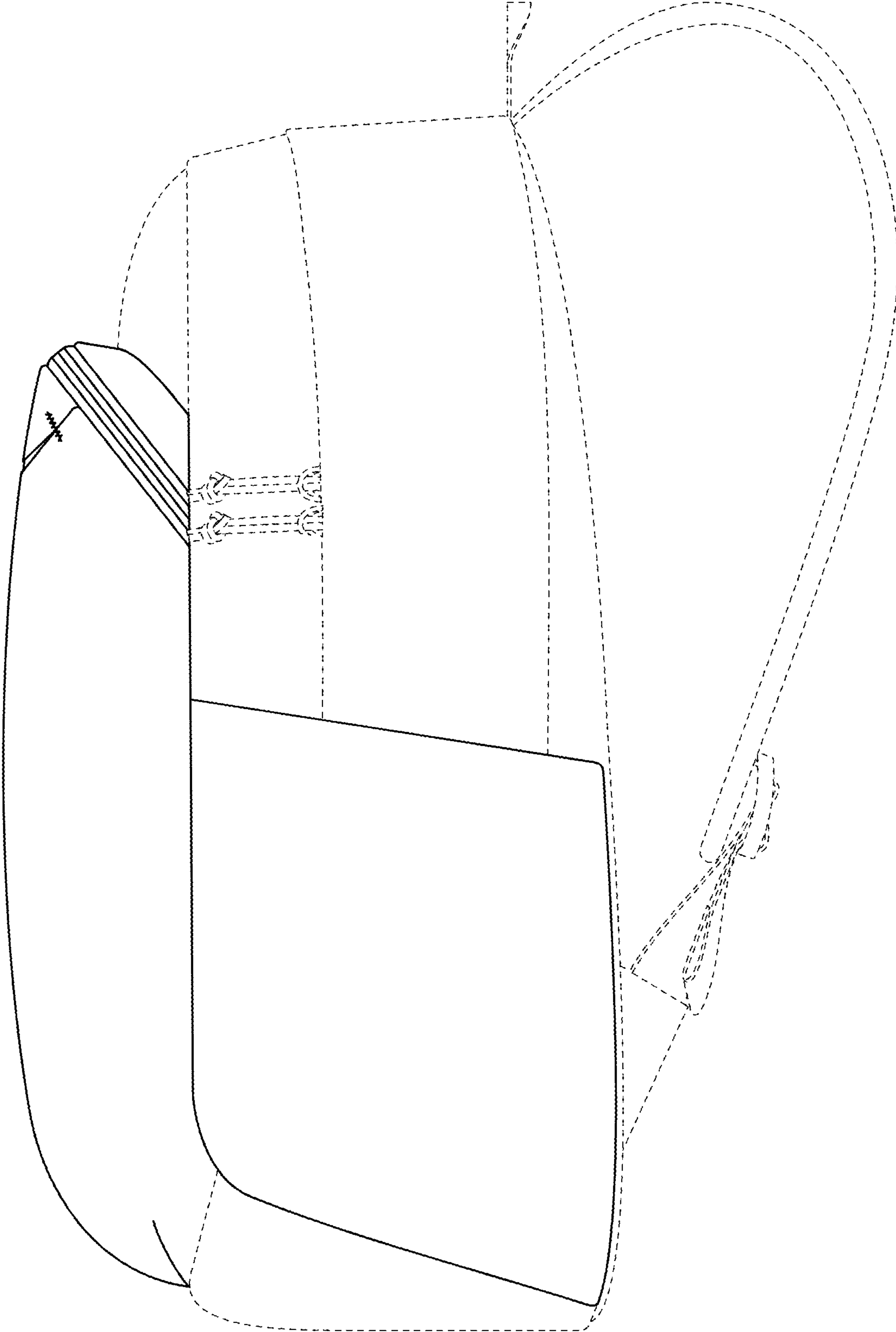


FIG . 4

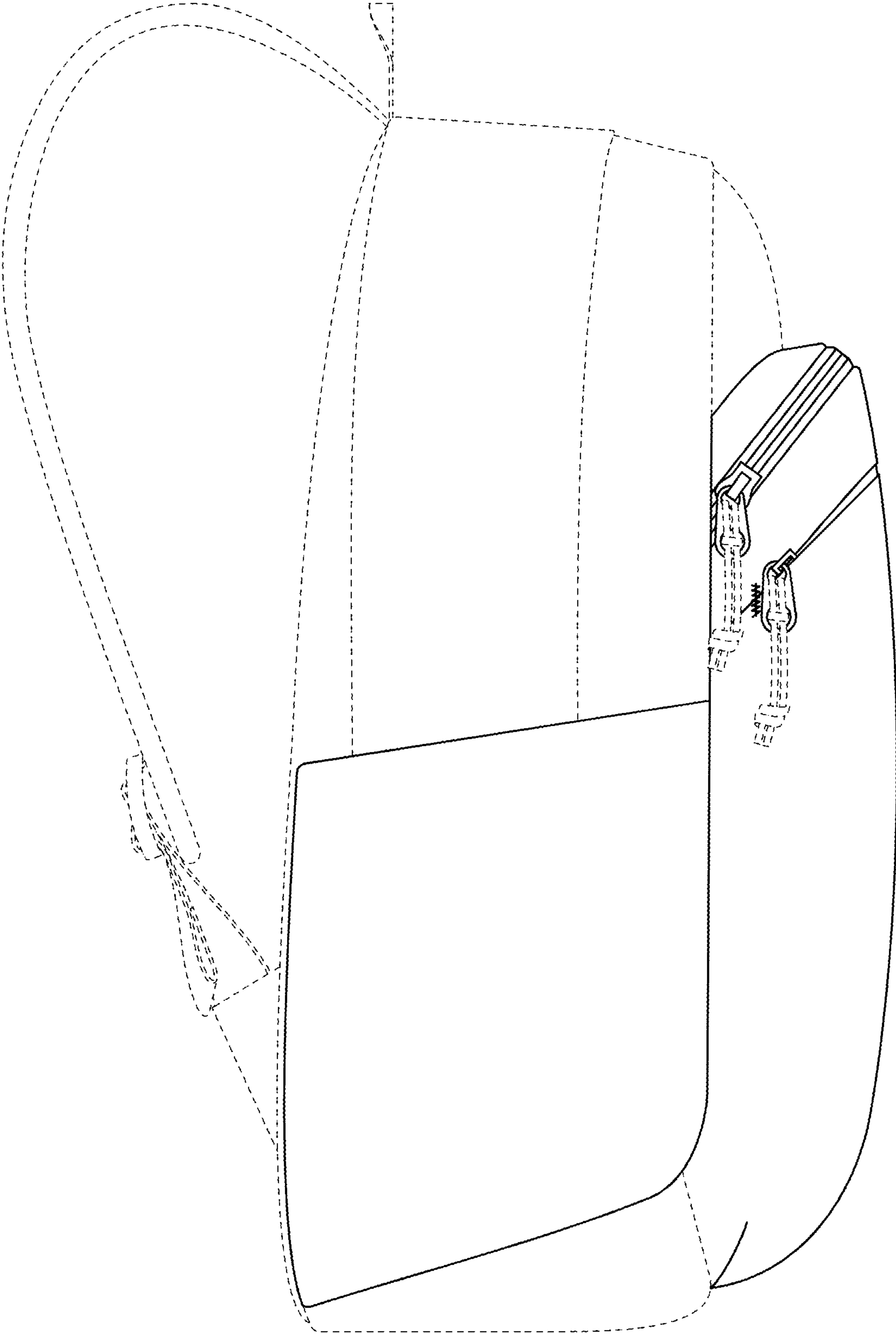


FIG . 5



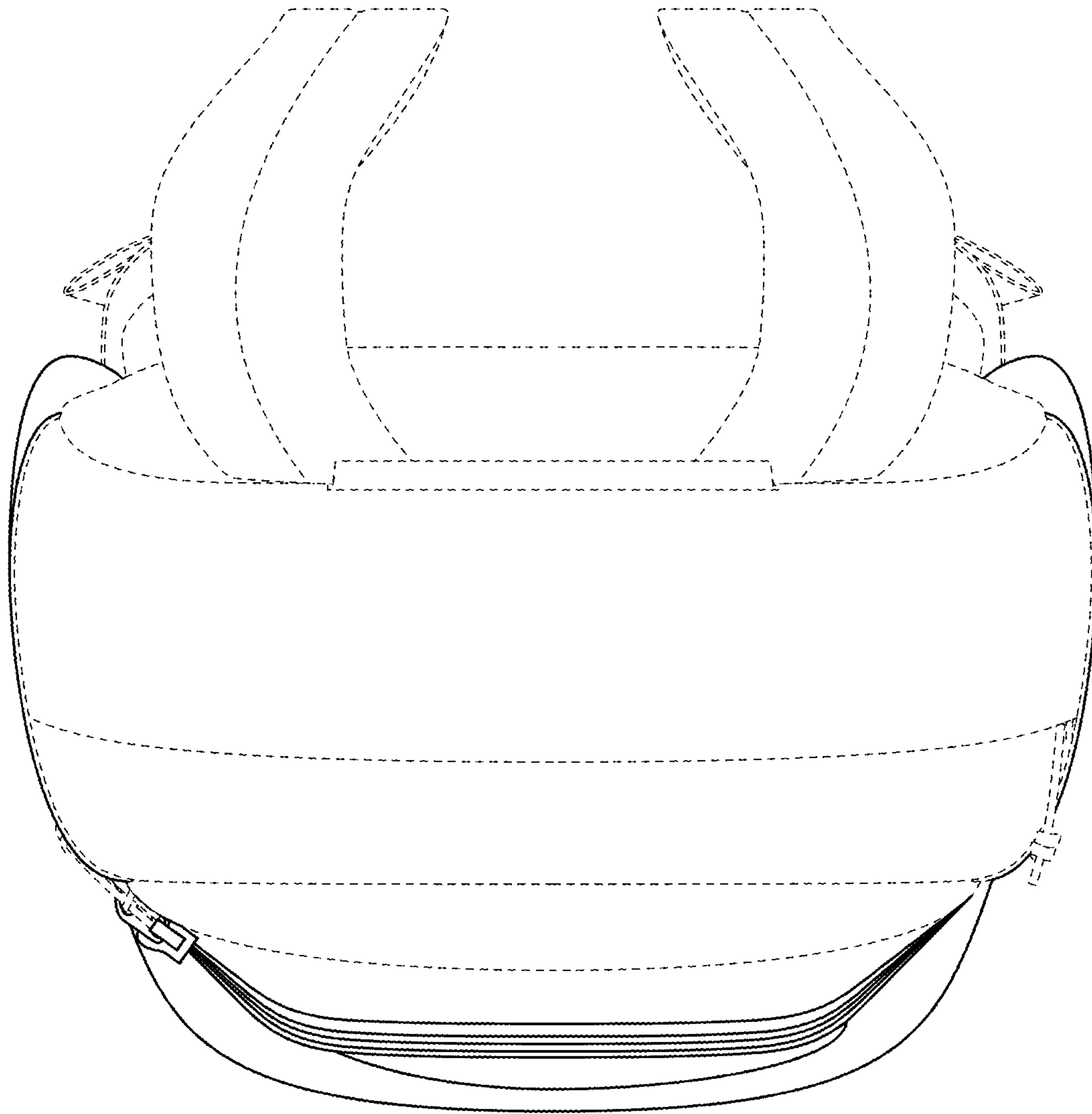


FIG . 6

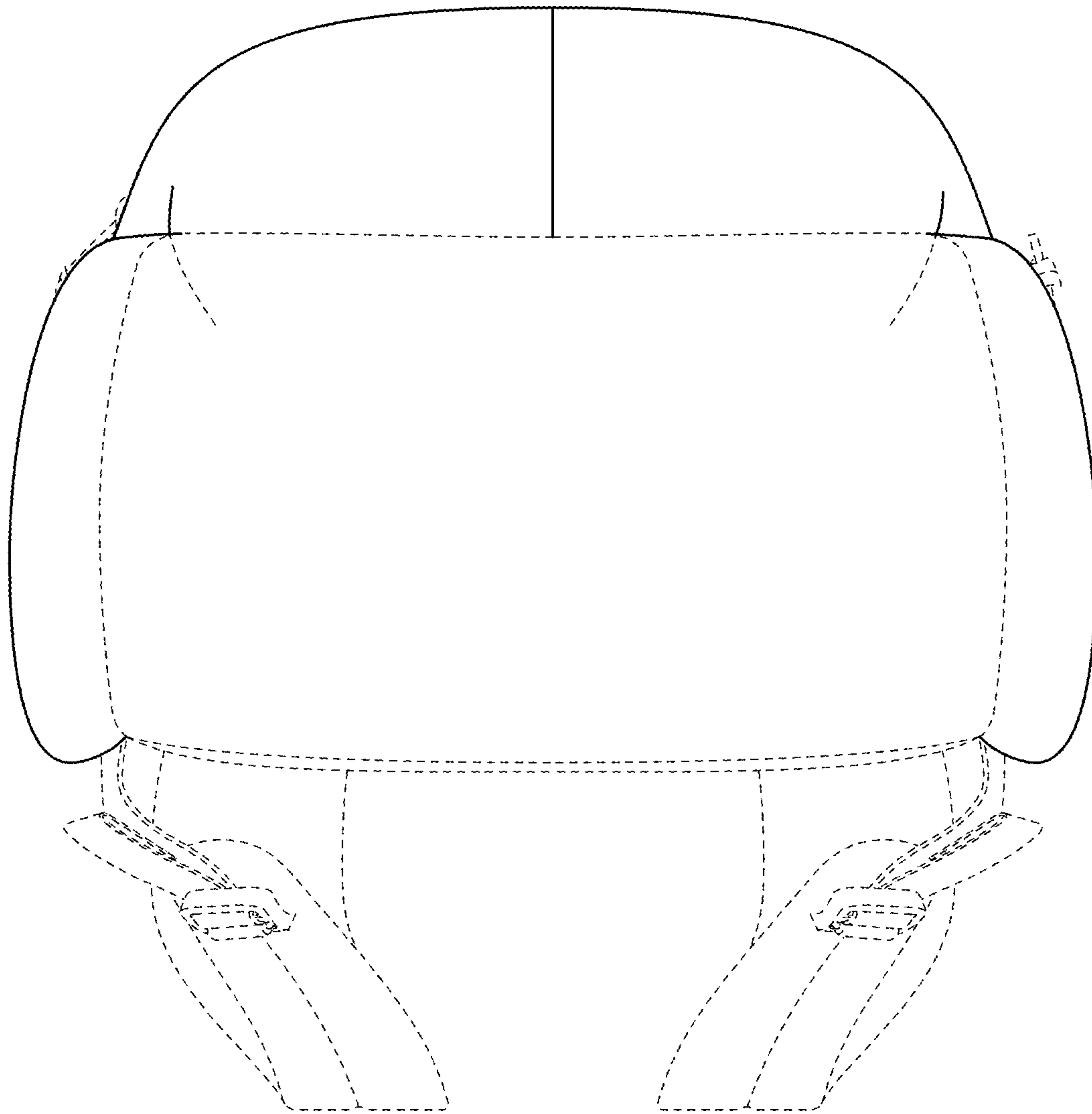


FIG. 7