



US00D893876S

(12) **United States Design Patent**
Van Fossen

(10) **Patent No.:** **US D893,876 S**

(45) **Date of Patent:** **** Aug. 25, 2020**

(54) **TOOL SET CASE**

(71) Applicant: **APEX BRANDS, INC.**, Apex, NC
(US)

(72) Inventor: **Eric Van Fossen**, Huntersville, NC
(US)

(73) Assignee: **APEX BRANDS, INC.**, Apex, NC
(US)

(**) Term: **15 Years**

(21) Appl. No.: **29/674,225**

(22) Filed: **Dec. 20, 2018**

(51) **LOC (12) Cl.** **03-01**

(52) **U.S. Cl.**
USPC **D3/318**

(58) **Field of Classification Search**
USPC D3/294, 273, 318
CPC .. A45C 5/00; A45C 5/14; B65D 21/04; B65D
21/02; B65D 21/0235; B65D 21/0233;
B25H 3/02
See application file for complete search history.

(56) **References Cited**

U.S. PATENT DOCUMENTS

6,283,291 B1 9/2001 Vasudeva et al.
D553,857 S * 10/2007 Pendergraph D3/273

D555,902 S * 11/2007 Pendergraph D3/273
D668,874 S * 10/2012 Robinson D3/293
9,694,489 B2 7/2017 Steele et al.
D807,040 S * 1/2018 Lai D3/318

* cited by examiner

Primary Examiner — Holly H Baynham

(74) *Attorney, Agent, or Firm* — Burr & Forman, LLP

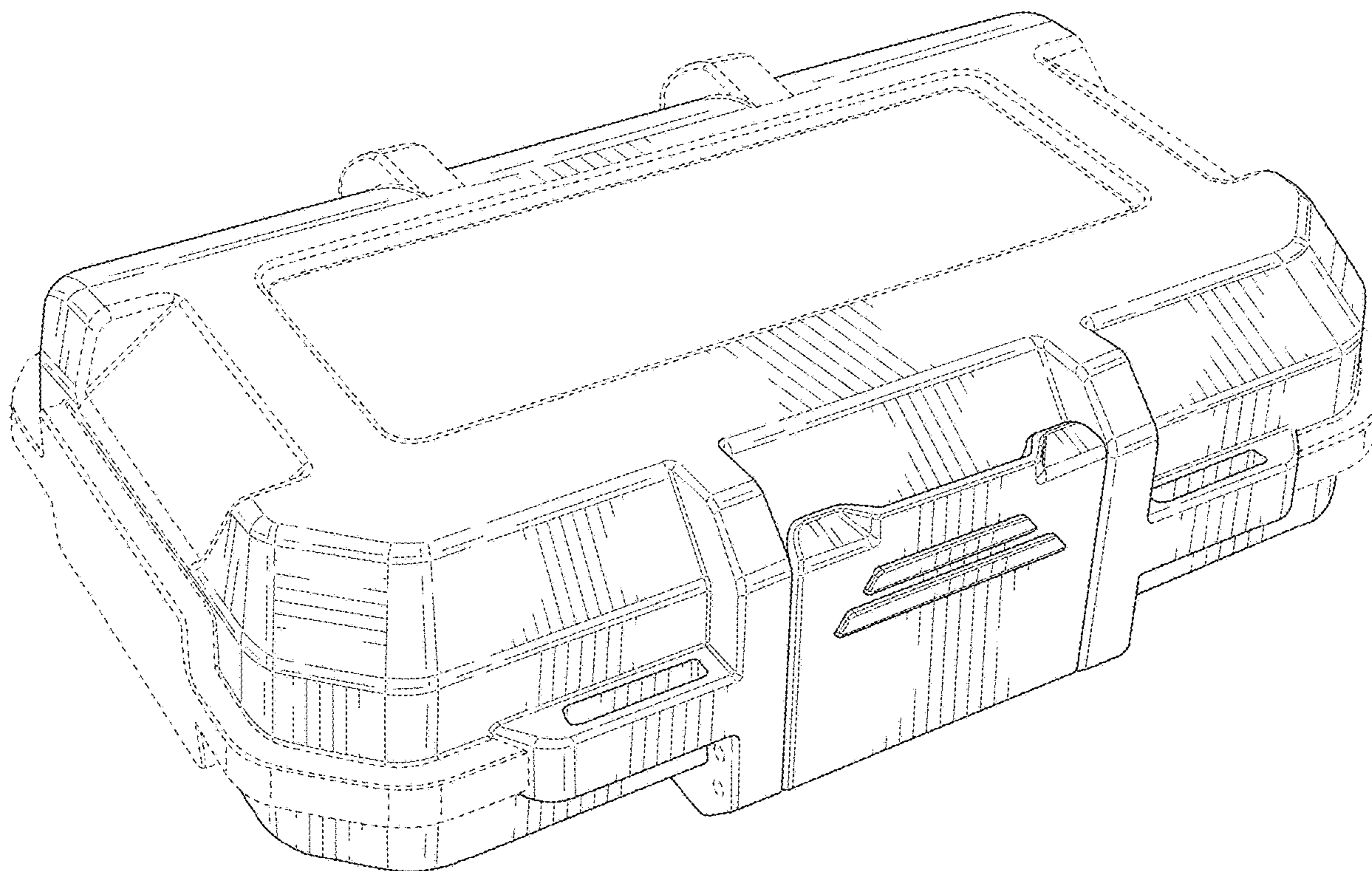
(57) **CLAIM**

The ornamental design for the tool set case, as shown and described.

DESCRIPTION

FIG. 1 is a perspective view of a tool set case in accordance with an embodiment of the present invention; FIG. 2 is a front view of the tool set case of FIG. 1; FIG. 3 is a rear view of the tool set case of FIG. 1; FIG. 4 is a left side view of the tool set case of FIG. 1; FIG. 5 is a right side view of the tool set case of FIG. 1; FIG. 6 is a top view of the tool set case of FIG. 1; and, FIG. 7 is a bottom view of the tool set case of FIG. 1. The broken lines of the tool set case in FIGS. 1-7 form no part of the claimed design.

1 Claim, 5 Drawing Sheets



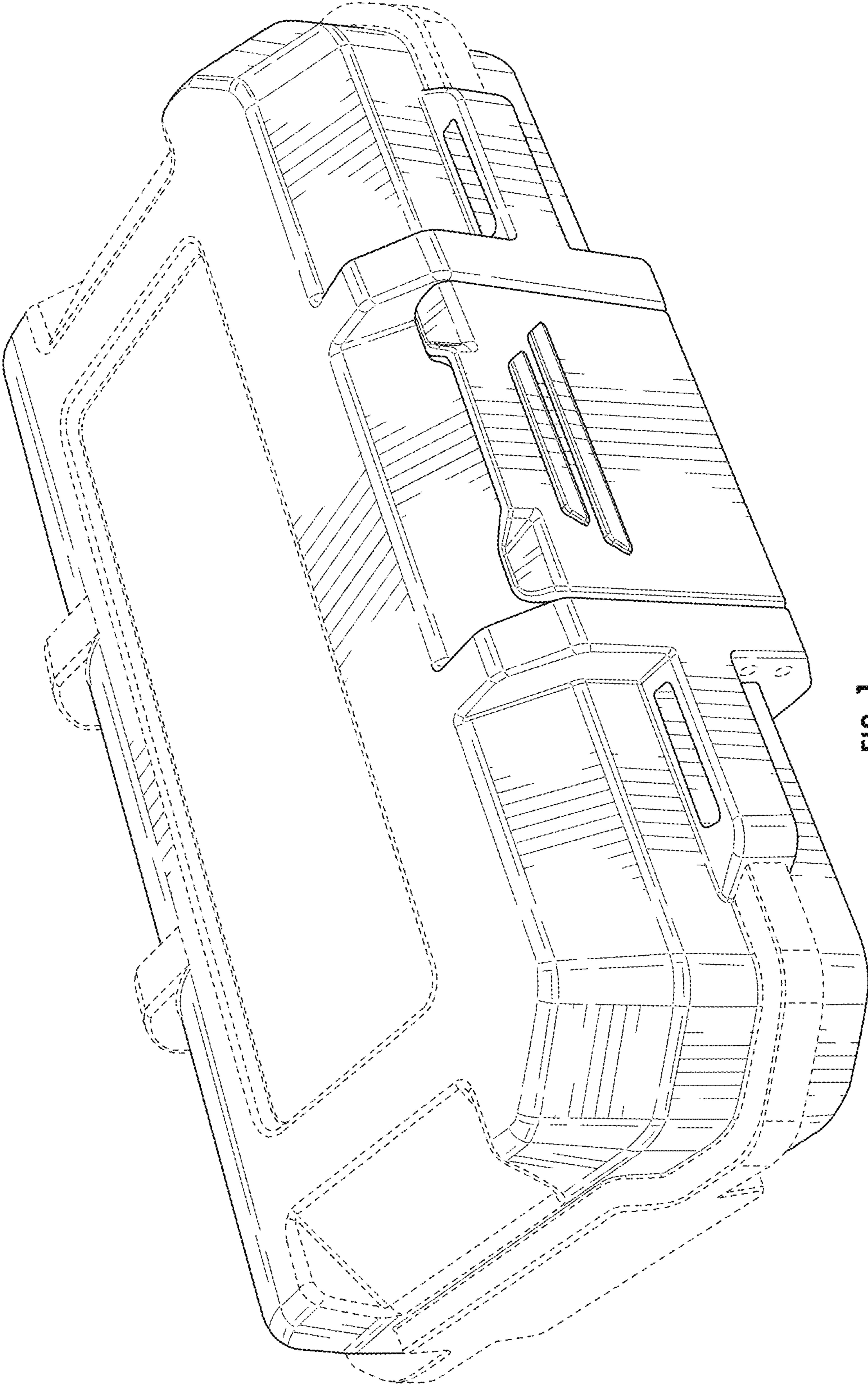


FIG. 1

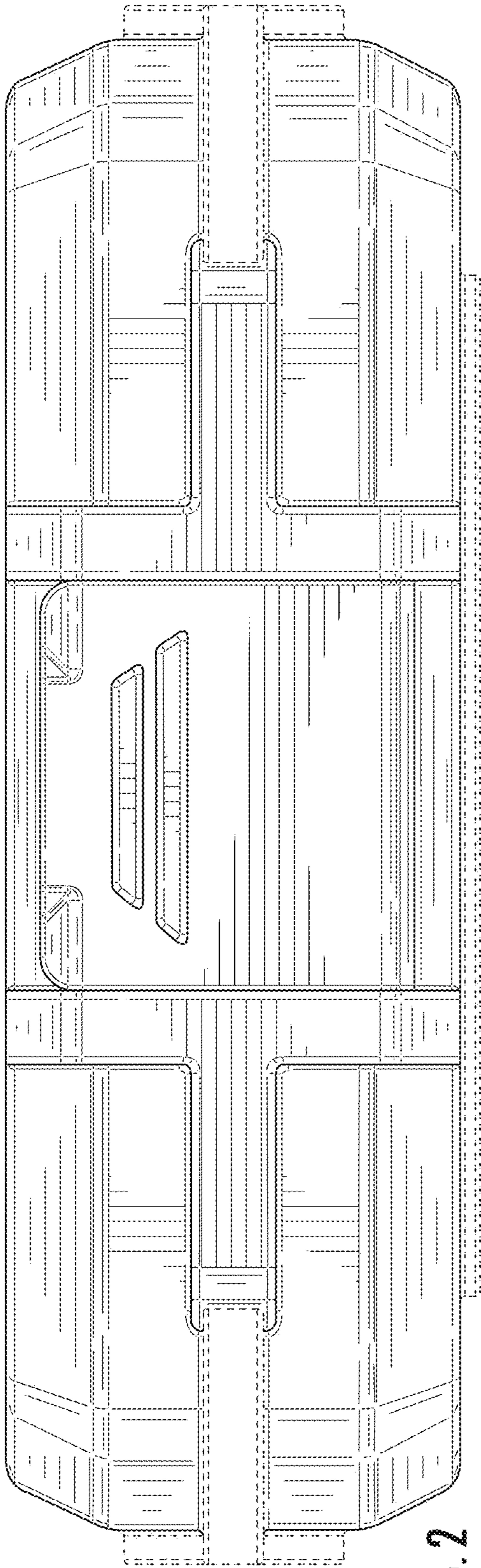


FIG. 2

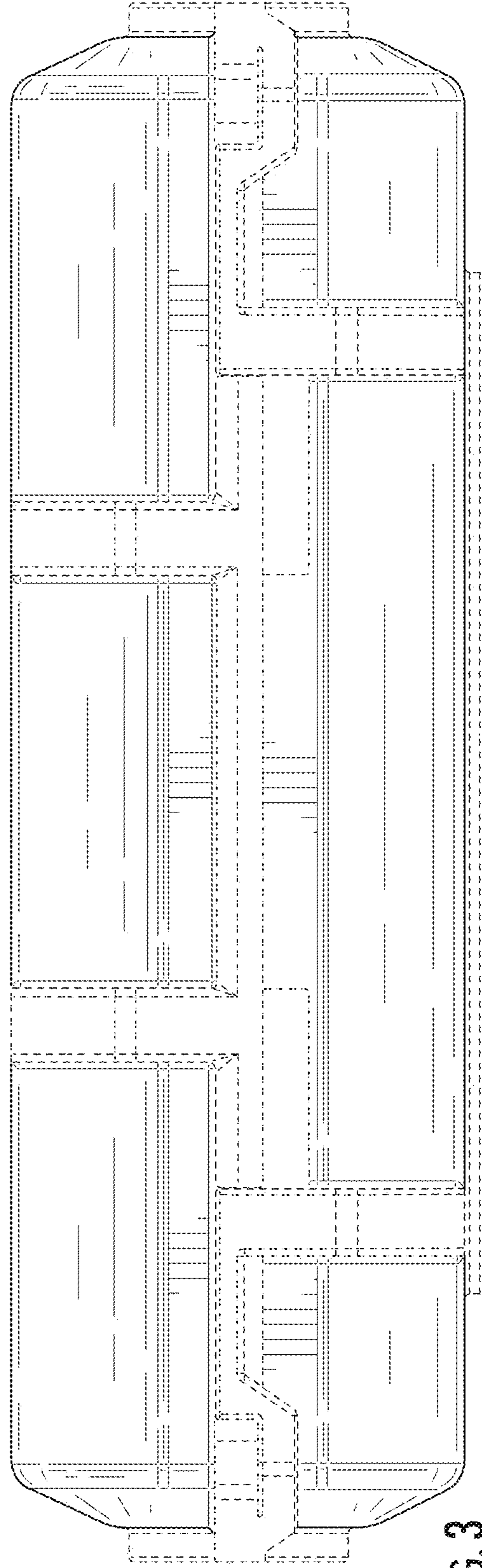


FIG. 3

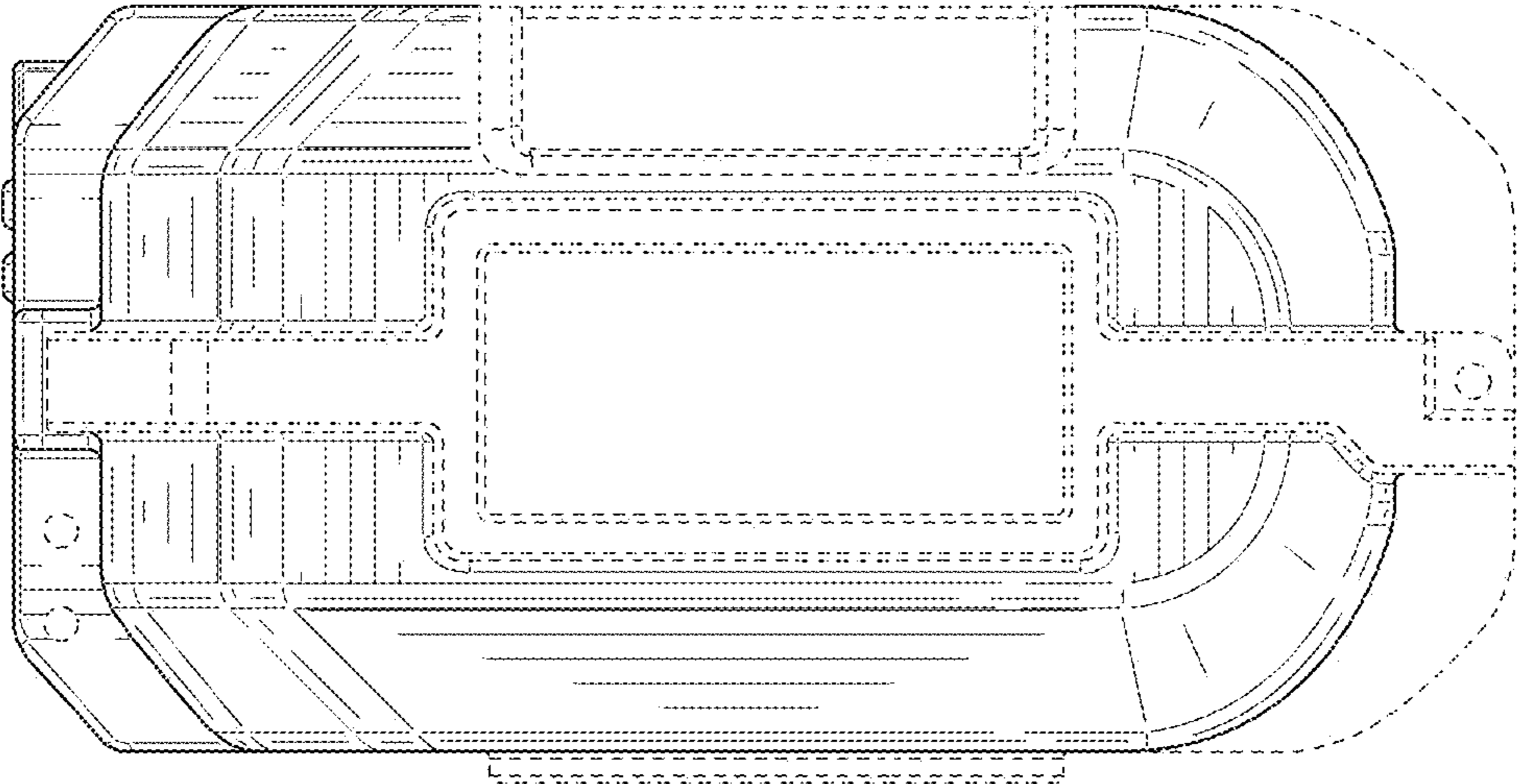


FIG. 4

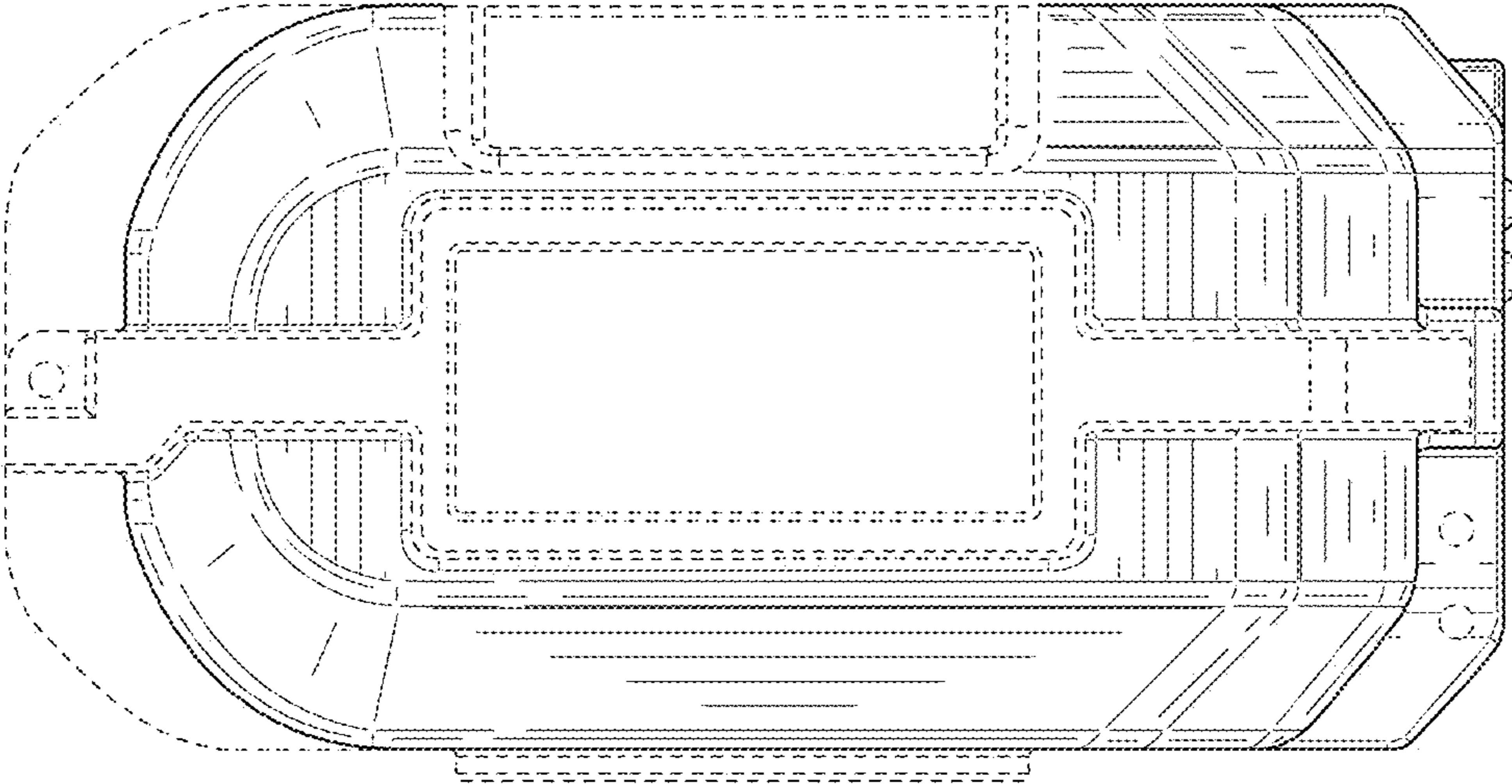


FIG. 5

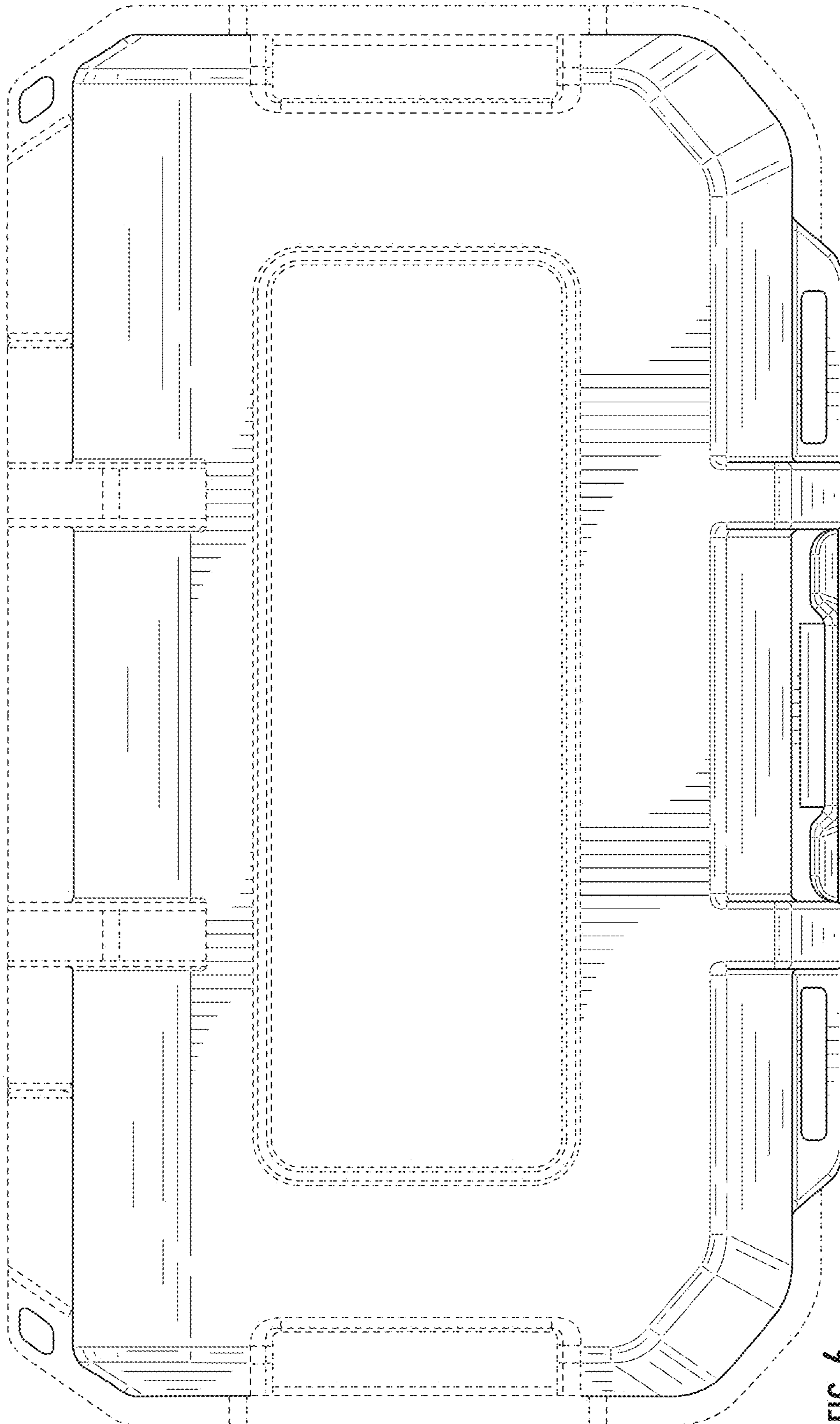


FIG. 6

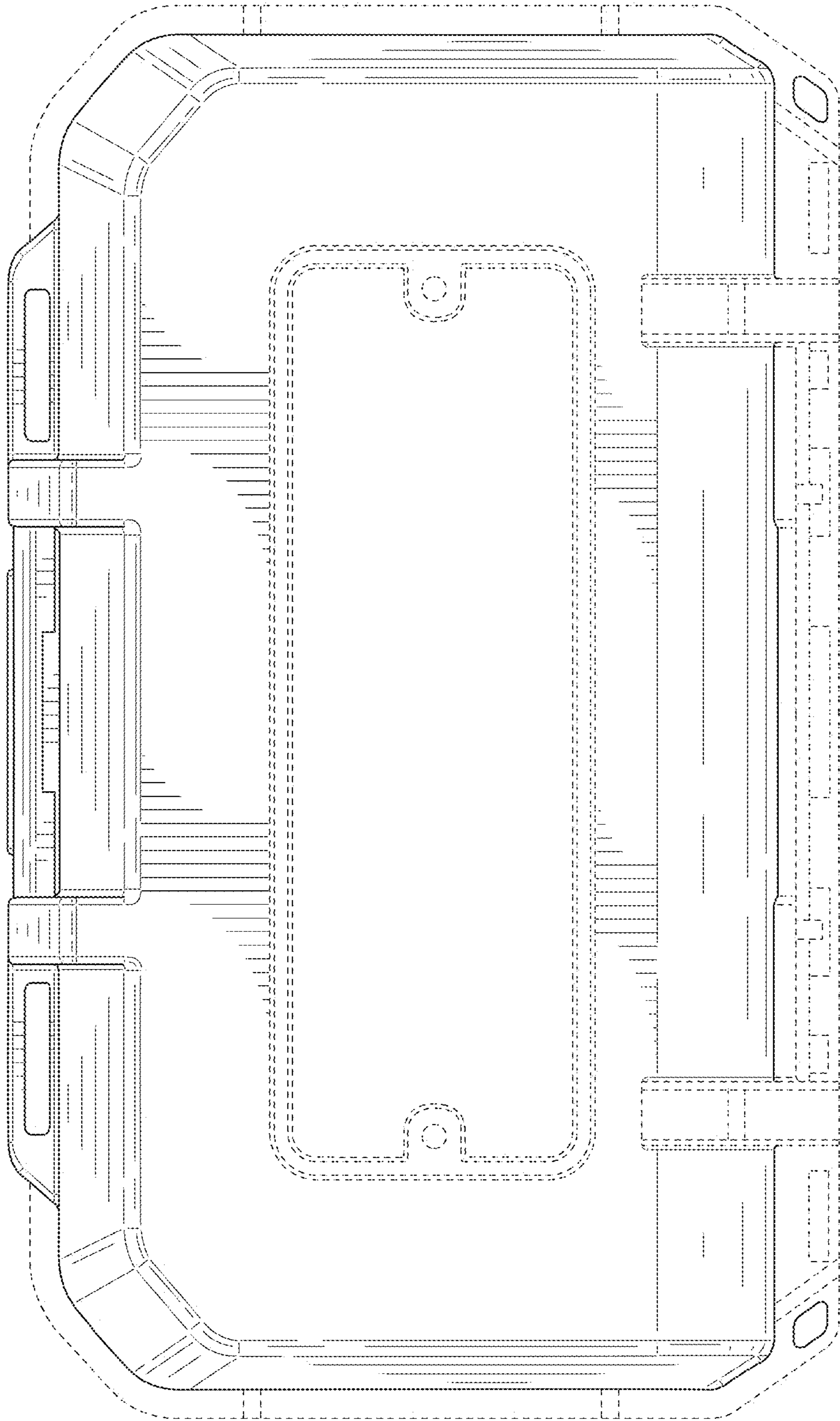


FIG. 7