



US00D893874S

(12) **United States Design Patent** (10) **Patent No.:** **US D893,874 S**
Kraemer (45) **Date of Patent:** **** Aug. 25, 2020**

- (54) **BIN**
- (71) Applicant: **InterDesign, Inc.**, Solon, OH (US)
- (72) Inventor: **Kevin Francis Kraemer**, Cuyahoga Falls, OH (US)
- (73) Assignee: **InterDesign, Inc.**, Solon, OH (US)
- (**) Term: **15 Years**
- (21) Appl. No.: **29/712,033**
- (22) Filed: **Nov. 5, 2019**

Related U.S. Application Data

- (63) Continuation of application No. 29/656,713, filed on Jul. 16, 2018, now Pat. No. Des. 878,050, which is a continuation of application No. 29/614,789, filed on Aug. 23, 2017, now Pat. No. Des. 826,061, which is a continuation of application No. 29/551,071, filed on Jan. 11, 2016, now Pat. No. Des. 799,219, which is a continuation of application No. 29/503,223, filed on Sep. 24, 2014, now Pat. No. Des. 750,443, which is
(Continued)

(51) **LOC (12) Cl.** **03-01**

(52) **U.S. Cl.**
USPC **D3/310; D3/307**

(58) **Field of Classification Search**

USPC D3/307-309, 200-201, 203.1, 203.3, D3/205-206, 303-315; D19/75, 77, 86, D19/90, 92, 100; 206/503-507, 510, 512, 206/564, 822; D32/37; D9/643-644, D9/645-647, 703, 425-426, 432; 220/607, 643, 659, 676, 657; 229/100, 229/406, 913-914

CPC ... B65D 1/22; B65D 1/24; B65D 1/34; B65D 1/38; A47B 77/18; A47B 88/906; A47B 88/969; A47B 88/994; A47B 2210/175; A47B 2210/19; A47B 75/00; A47B 71/00; A47J 47/00; A47J 47/16; A47J 47/18; A47F 3/14; A47F 3/145; F25D 25/025; F25C 5/182

See application file for complete search history.

(56) **References Cited**

U.S. PATENT DOCUMENTS

- 3,186,586 A * 6/1965 Box B65D 1/243 206/511
 - D419,302 S * 1/2000 Hardy D19/75
- (Continued)

OTHER PUBLICATIONS

amazon.com, iDesign Plastic Storage Bin with Handles for Kitchen, Fridge, Freezer, Pantry, and Cabinet Organization, BPA-Free, Medium, 3 Ounce, Mar. 22, 2015, <https://www.amazon.com/iDesign-Plastic-Storage-Organization-BPA-Free/dp/B00CS8DT00/> (Year: 2015).*

Primary Examiner — Nathan M Johnston

(74) *Attorney, Agent, or Firm* — Calfee Halter & Griswold LLP

(57) **CLAIM**

I claim the ornamental design for a bin, as shown and described.

DESCRIPTION

FIG. 1 is a front/right/top perspective view of a bin (a front/left/top perspective view would be a mirror image thereof);

FIG. 2 is a rear/left/bottom perspective view thereof (a rear/right/bottom perspective view would be a mirror image thereof);

FIG. 3 is a top plan view thereof;

FIG. 4 is a left side elevational view (a right side elevational view would be a mirror image thereof);

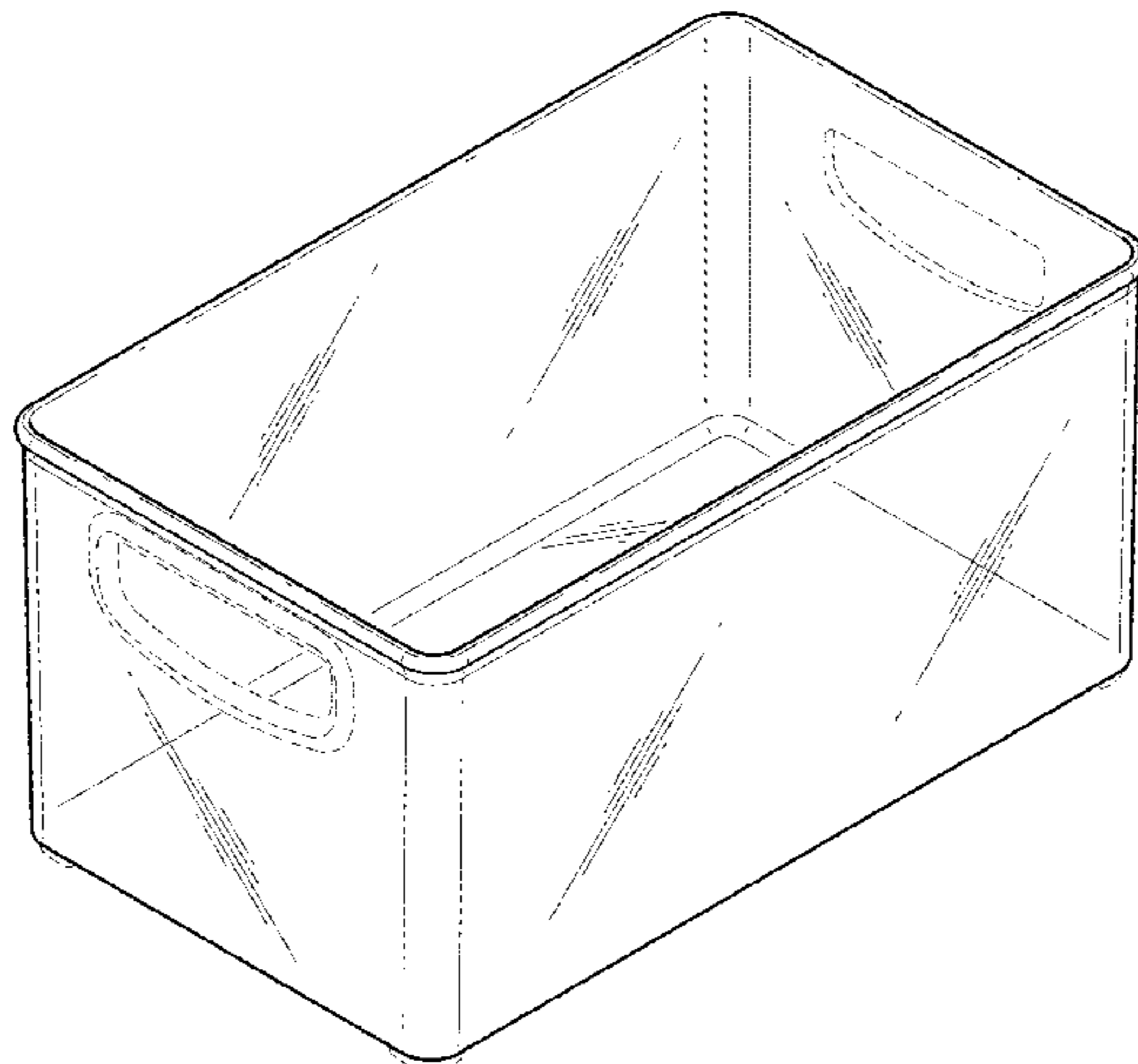
FIG. 5 is a front elevational view thereof;

FIG. 6 is a rear elevational view thereof; and,

FIG. 7 is a bottom plan view thereof.

The broken lines depict portions that form no part of the claimed design.

1 Claim, 6 Drawing Sheets



Related U.S. Application Data

a continuation of application No. 29/480,138, filed on Jan. 23, 2014, now abandoned, which is a continuation of application No. 29/444,254, filed on Jan. 29, 2013, now Pat. No. Des. 698,612.

(56)

References Cited

U.S. PATENT DOCUMENTS

D542,532 S *	5/2007	Kopenhaver	D3/305
D712,148 S *	9/2014	Ghiorgie	D3/304
D713,146 S *	9/2014	Ghiorgie	D3/304
D732,827 S *	6/2015	Suomela	D3/304
D759,976 S *	6/2016	Hardy	D3/306
D806,391 S *	1/2018	Ghiorgie	D3/304
D832,115 S *	10/2018	Fitchett	D9/711
D842,606 S *	3/2019	Kraemer	D3/307
D866,973 S *	11/2019	Snell	D3/314
D878,050 S *	3/2020	Kraemer	D3/307
D878,051 S *	3/2020	Kraemer	D3/307

* cited by examiner

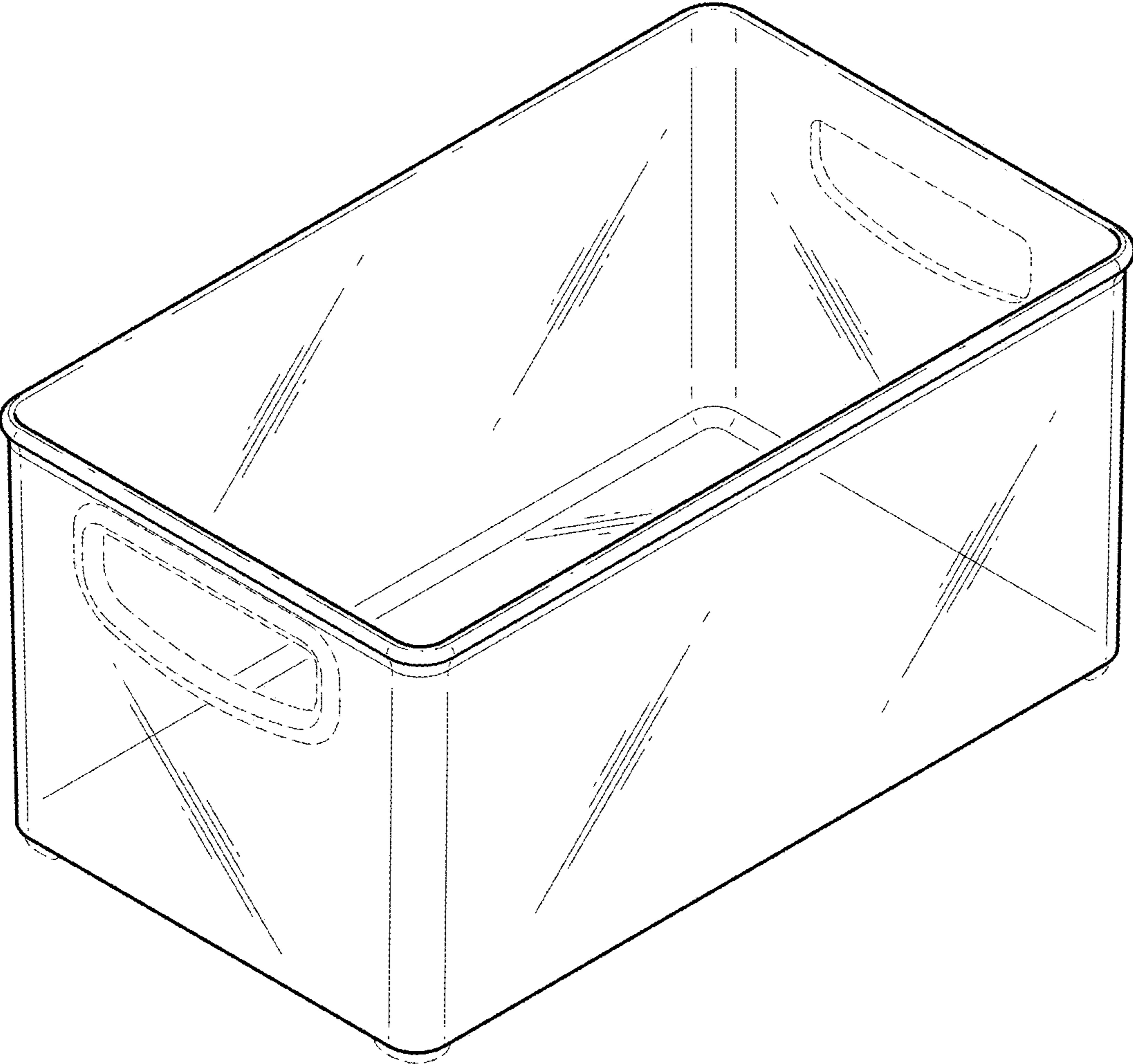


FIG. 1

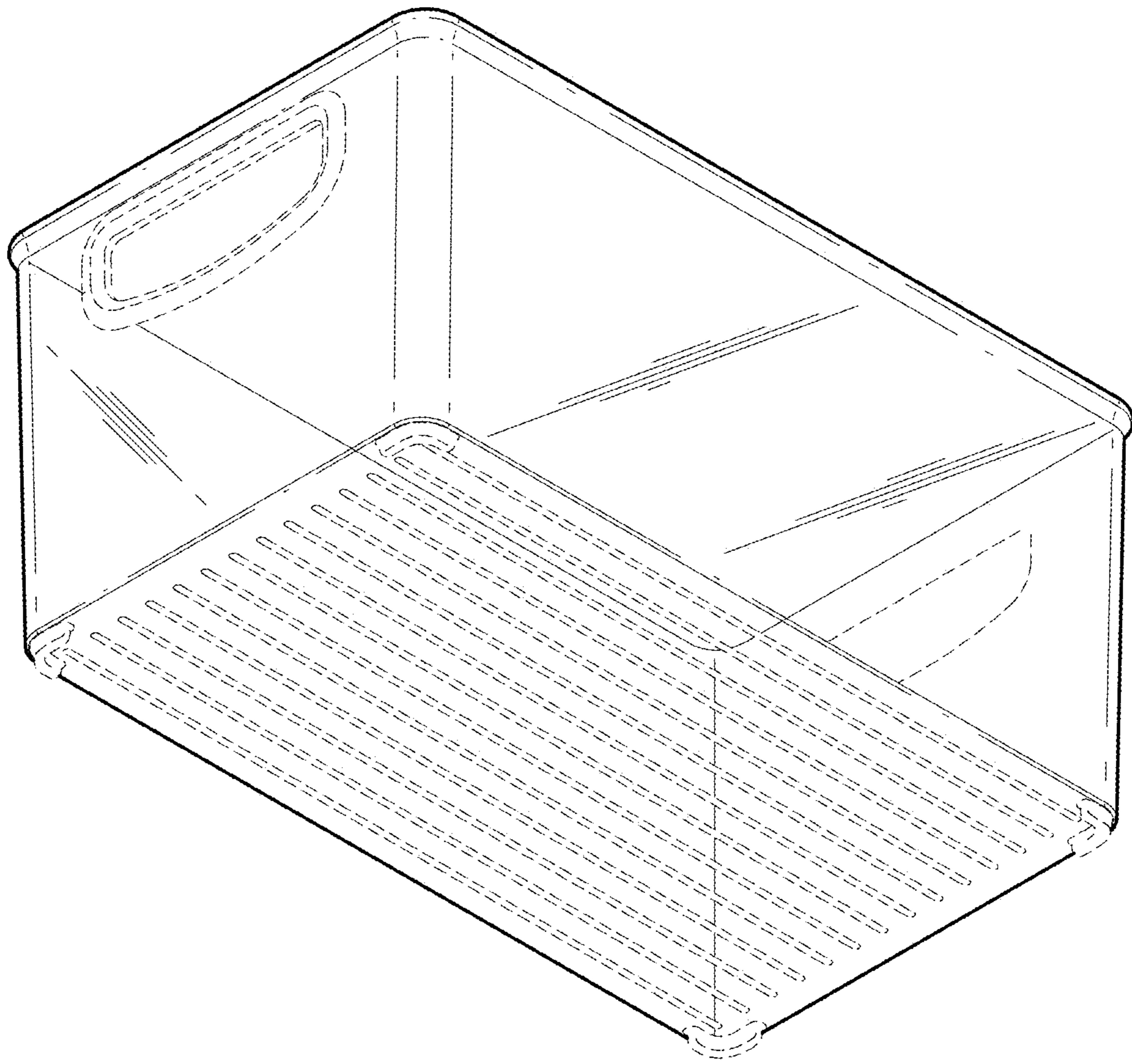


FIG. 2

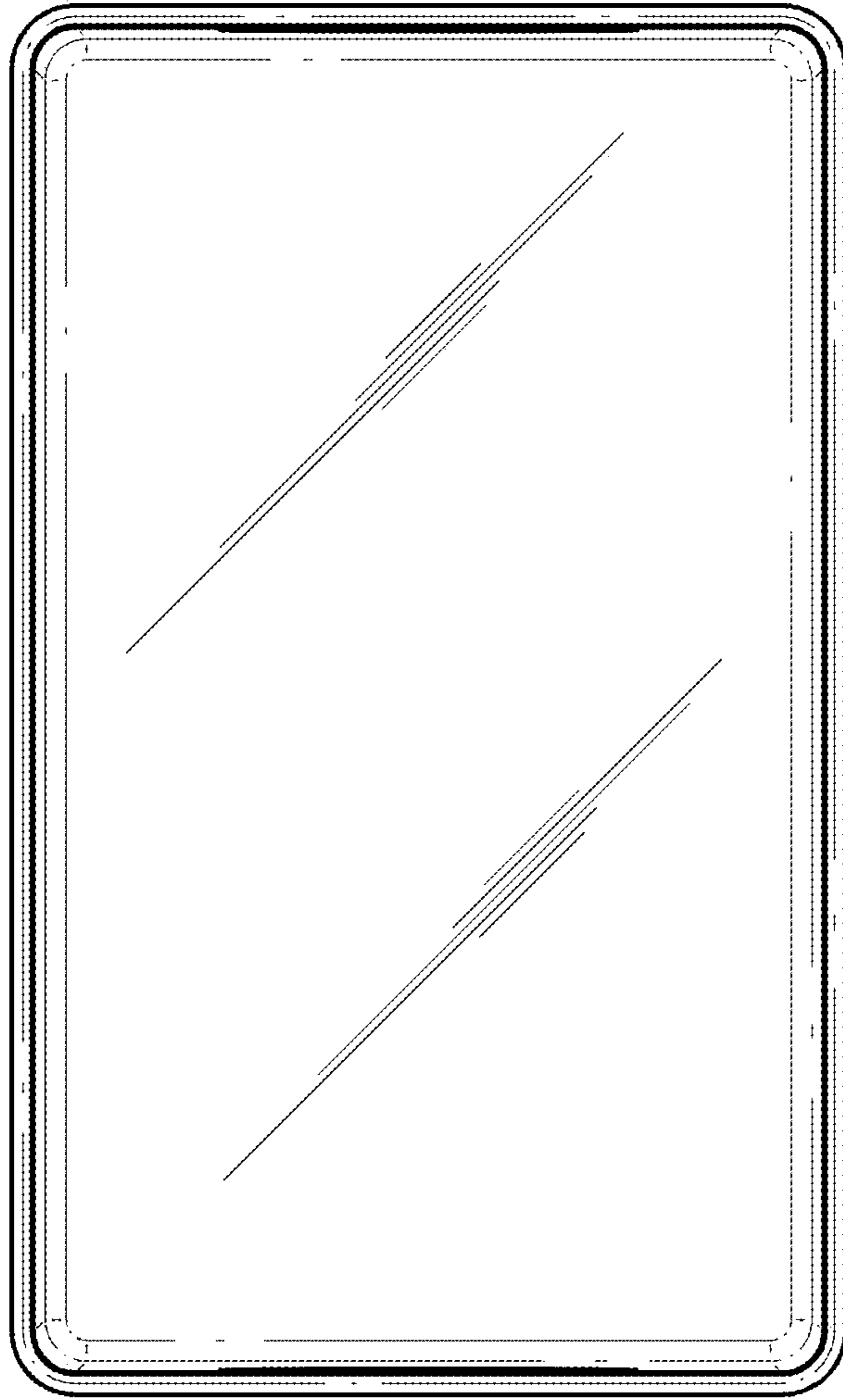


FIG. 3

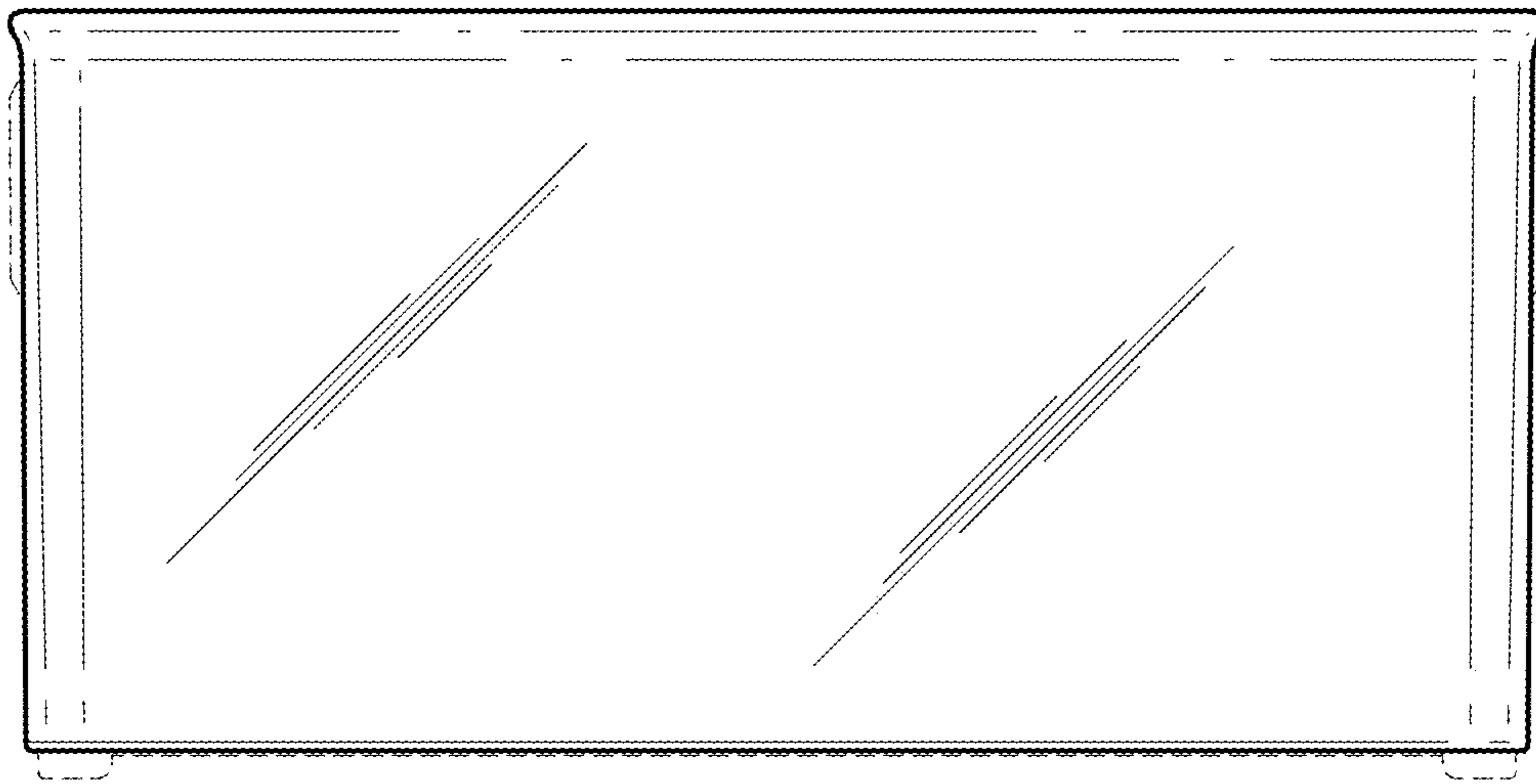


FIG. 4

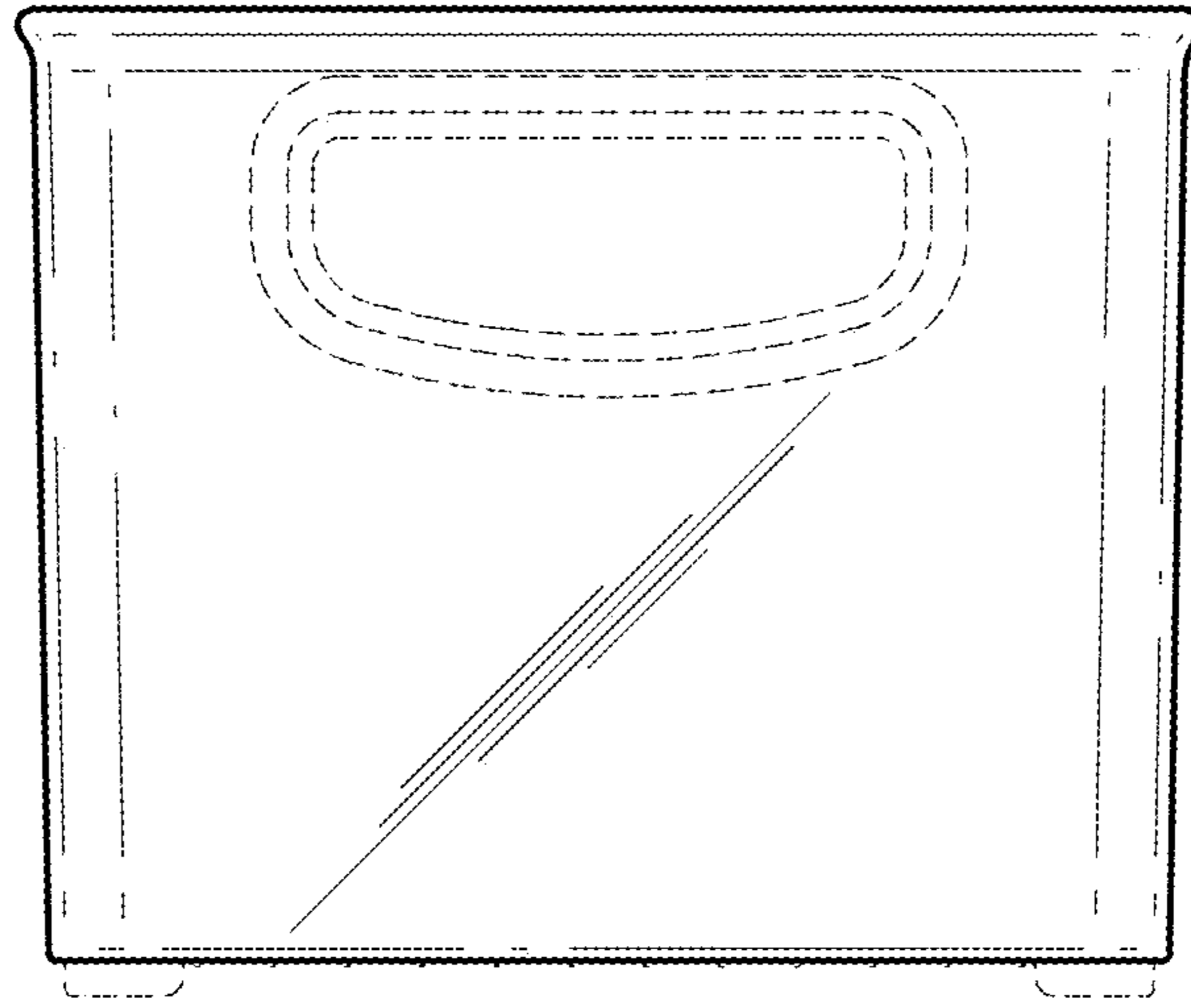


FIG. 5

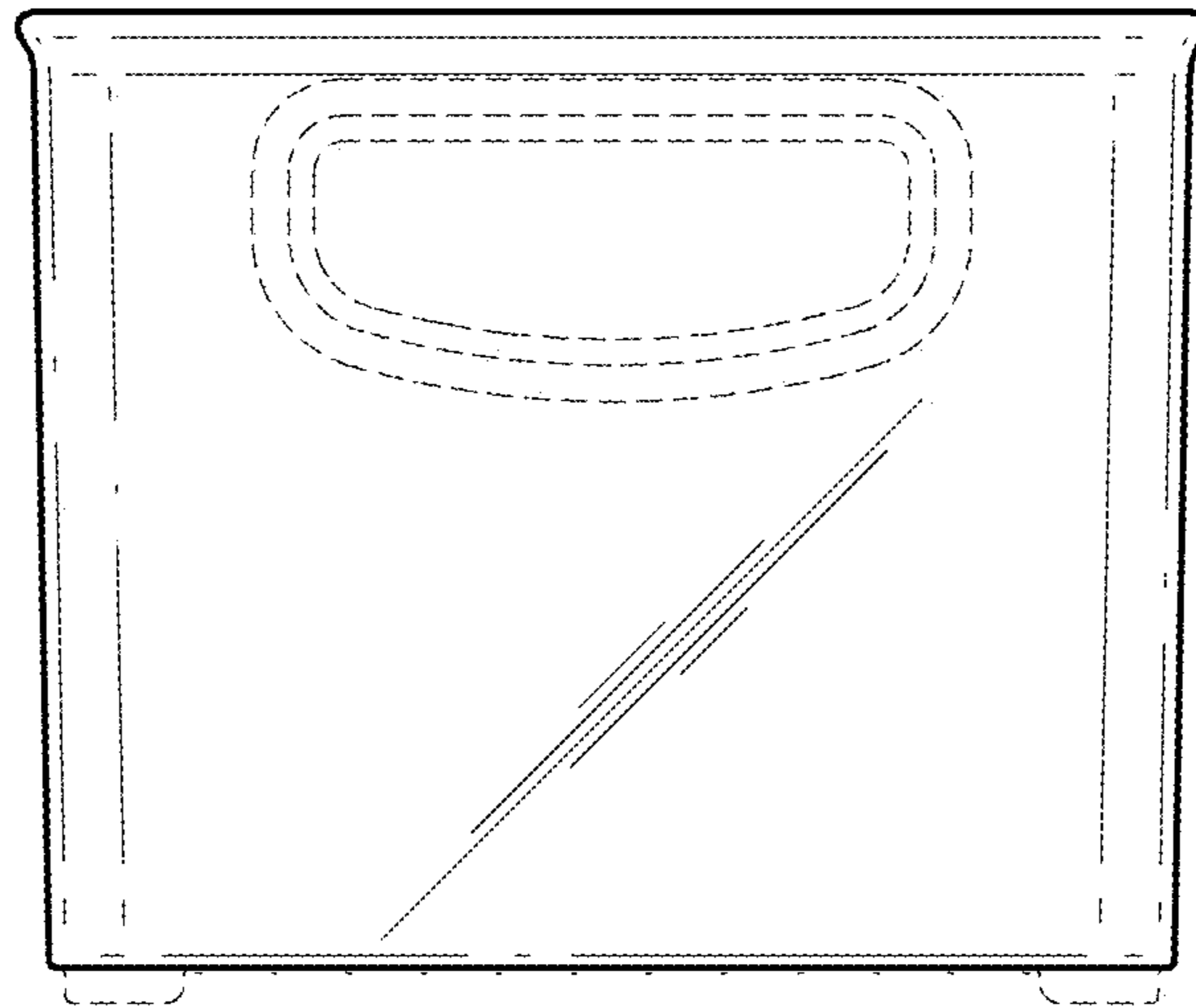


FIG. 6

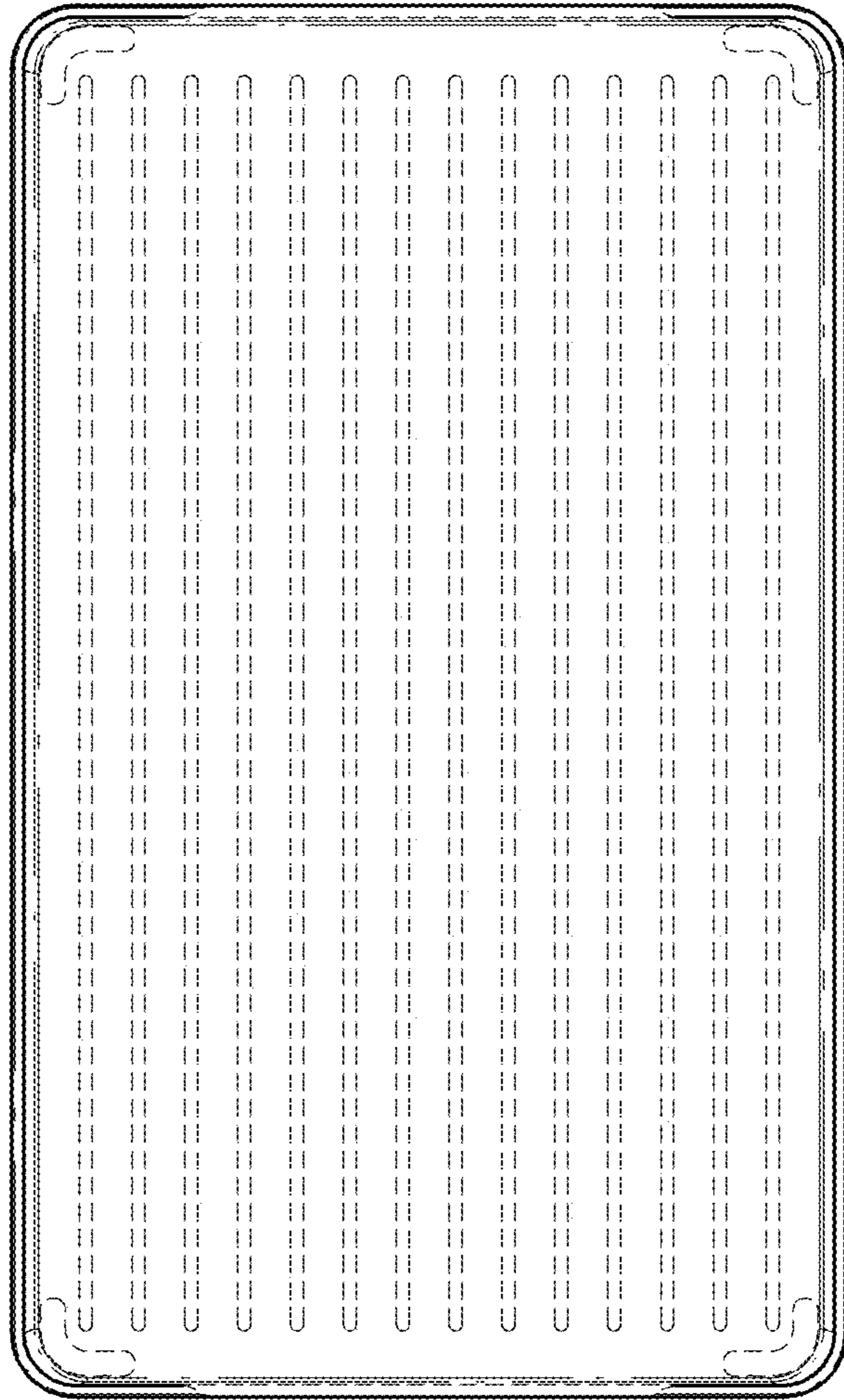


FIG. 7