



US00D893871S

(12) **United States Design Patent**
Plunkett

(10) **Patent No.:** **US D893,871 S**

(45) **Date of Patent:** **** Aug. 25, 2020**

- (54) **BAG**
- (71) Applicant: **Mike Plunkett**, Corona, CA (US)
- (72) Inventor: **Mike Plunkett**, Corona, CA (US)
- (**) Term: **15 Years**
- (21) Appl. No.: **29/682,675**
- (22) Filed: **Mar. 7, 2019**
- (51) **LOC (12) Cl.** **03-01**
- (52) **U.S. Cl.**
USPC **D3/285; D3/289**
- (58) **Field of Classification Search**
USPC D3/201, 203.1, 203.2, 273, 274, 284,
D3/285, 291, 289, 302, 276, 294, 295,
D3/298, 318, 901, 902, 903, 270
CPC ... A45C 5/00; A45C 2011/001; A45C 13/002;
A45C 5/08; A45C 11/00; H04R 1/1025;
H04R 1/1033
See application file for complete search history.

Amazon, "Upgraded Waterproof Smell Proof Bag Case, Stash Bag 8.3x6x3.5 . . . ", First on sale Feb. 28, 2019. (<https://www.amazon.com/dp/B07PCJ11QK/>) (Year: 2019).*

Amazon, "Smell Proof Bag, Veeape Odor Proof Bag with Combination Lock Odorless Stash Storage Pouch Case . . . ", First reviewed on Jun. 17, 2019. (<https://www.amazon.com/Combination-Odorless-Storage-Container-Medicine/dp/B07YSN3LLQ/?th=1>) (Year: 2019).*

<https://www.amazon.ca/dp/B07BGYRF4Z>.

* cited by examiner

Primary Examiner — April Rivas

(74) *Attorney, Agent, or Firm* — Wayne Harper; Cynthia Flanigan

(57) **CLAIM**

I claim the ornamental design for a bag, as shown and described.

(56) **References Cited**

U.S. PATENT DOCUMENTS

D358,935 S *	6/1995	Chang	D3/276
D389,647 S *	1/1998	White	D3/285
D429,885 S *	8/2000	Hillman	D3/283
D457,314 S *	5/2002	Stephens	D3/276
D468,532 S *	1/2003	Hassett	D3/285
D518,956 S *	4/2006	Van Himbeeck	D3/289
D560,361 S *	1/2008	Huang	D3/301
D779,208 S *	2/2017	Parker	D3/301
D816,996 S *	5/2018	Majeau	D3/301
D844,323 S *	4/2019	Shuai	D3/274
D857,390 S *	8/2019	Kwon	D3/301

OTHER PUBLICATIONS

Amazon, "Formline Smell Proof Case with Combination Lock 8x6x3 . . . ", First reviewed on Jun. 21, 2018. (<https://www.amazon.com/dp/B07BGYRF4Z/>) (Year: 2018).*

DESCRIPTION

FIG. 1 is a perspective view of a bag showing my new design;

FIG. 2 is another perspective view of the bag of FIG. 1 shown in an open configuration;

FIG. 3 is a yet another perspective view of the bag of FIG. 1 shown in an open configuration, with the interior flap shown folded downward;

FIG. 4 is a top view of the bag as shown in FIG. 1;

FIG. 5 is a bottom view of the bag as shown in FIG. 1;

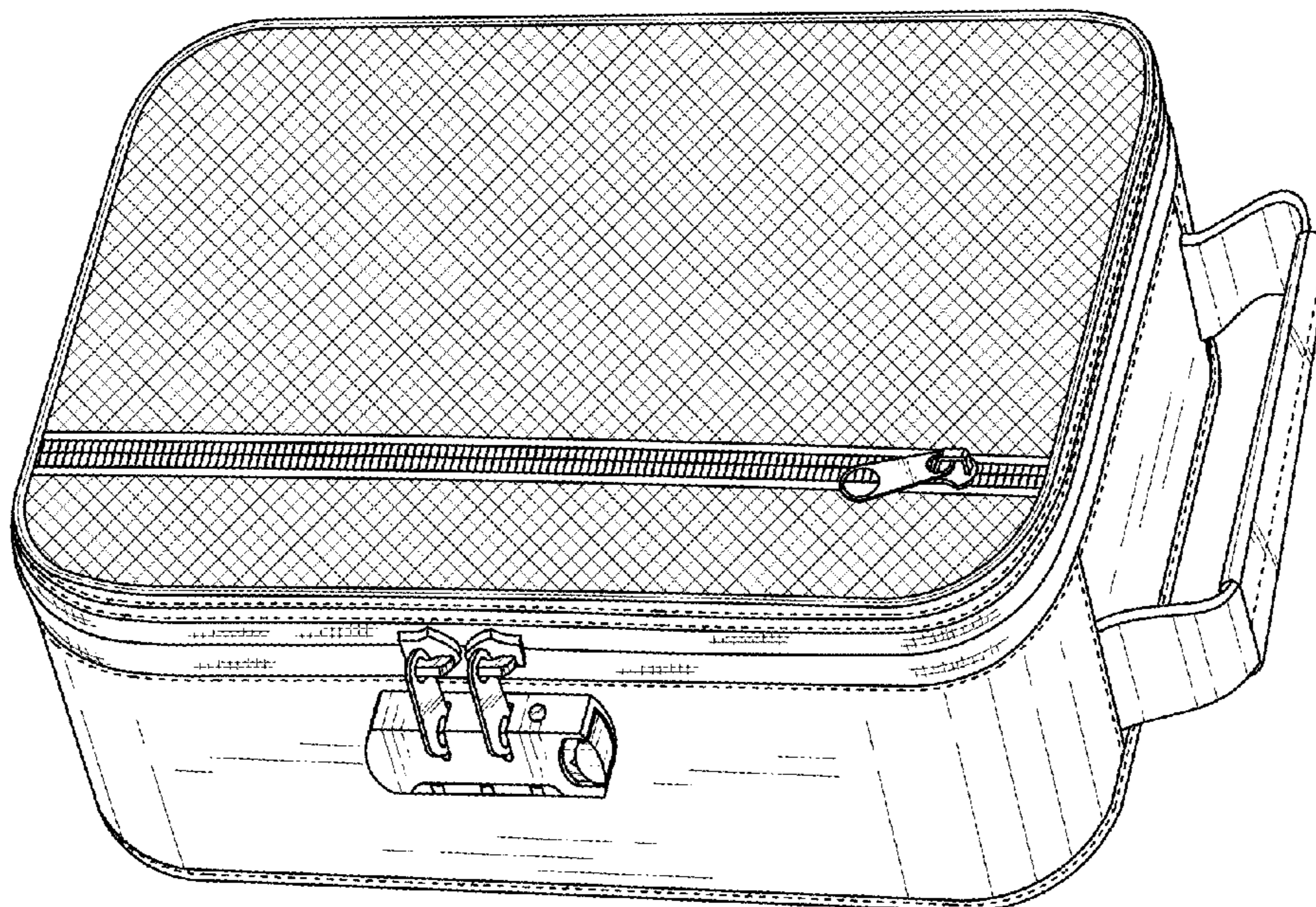
FIG. 6 is a front view of the bag as shown in FIG. 1;

FIG. 7 is a back view of the bag as shown in FIG. 1;

FIG. 8 is a left-side view of the bag as shown in FIG. 1; and,

FIG. 9 is a right-side view of the bag as shown in FIG. 1. The dash line shown in the drawing is showcasing stitches only and forms no part of the claimed design.

1 Claim, 7 Drawing Sheets



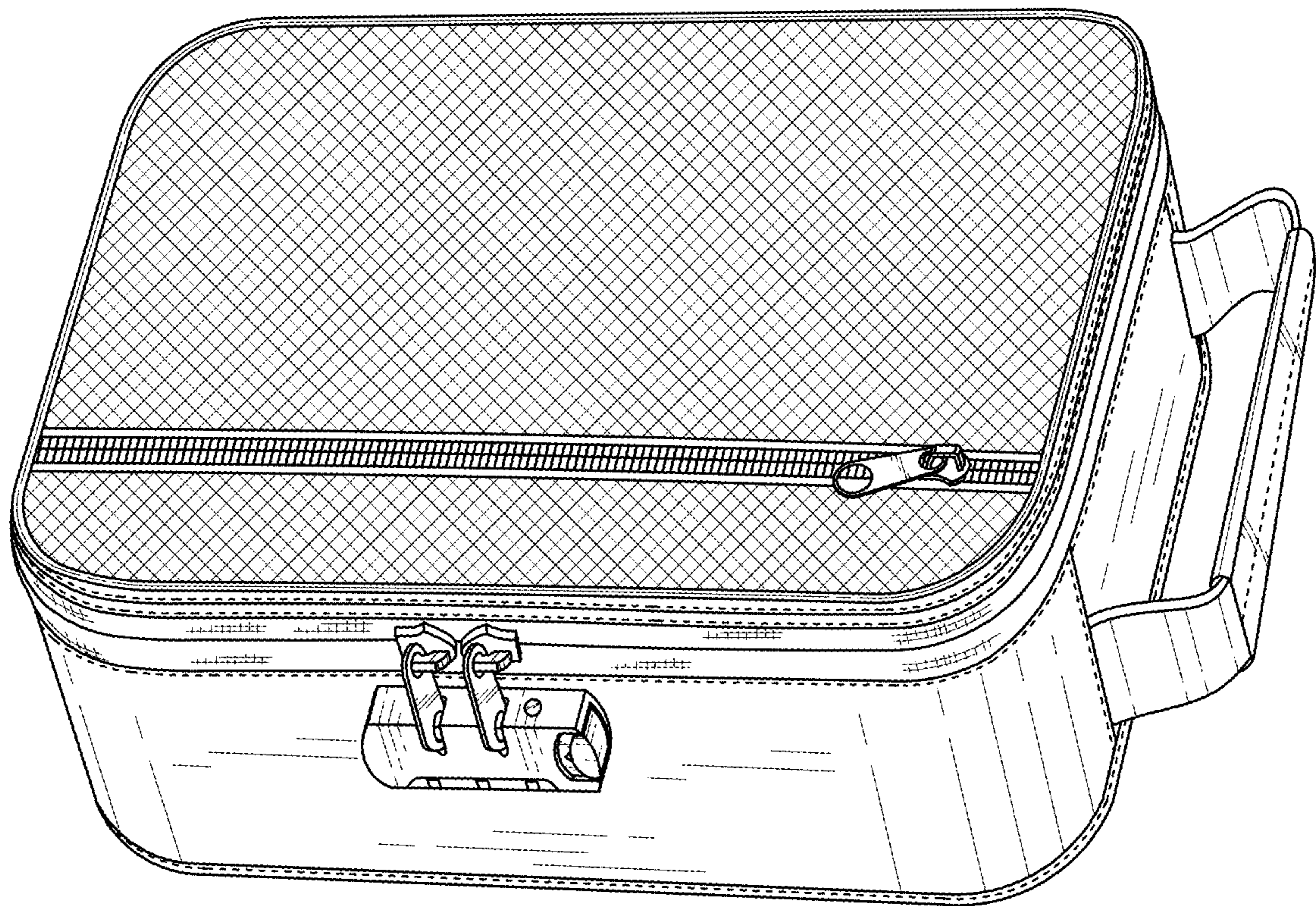


FIG. 1

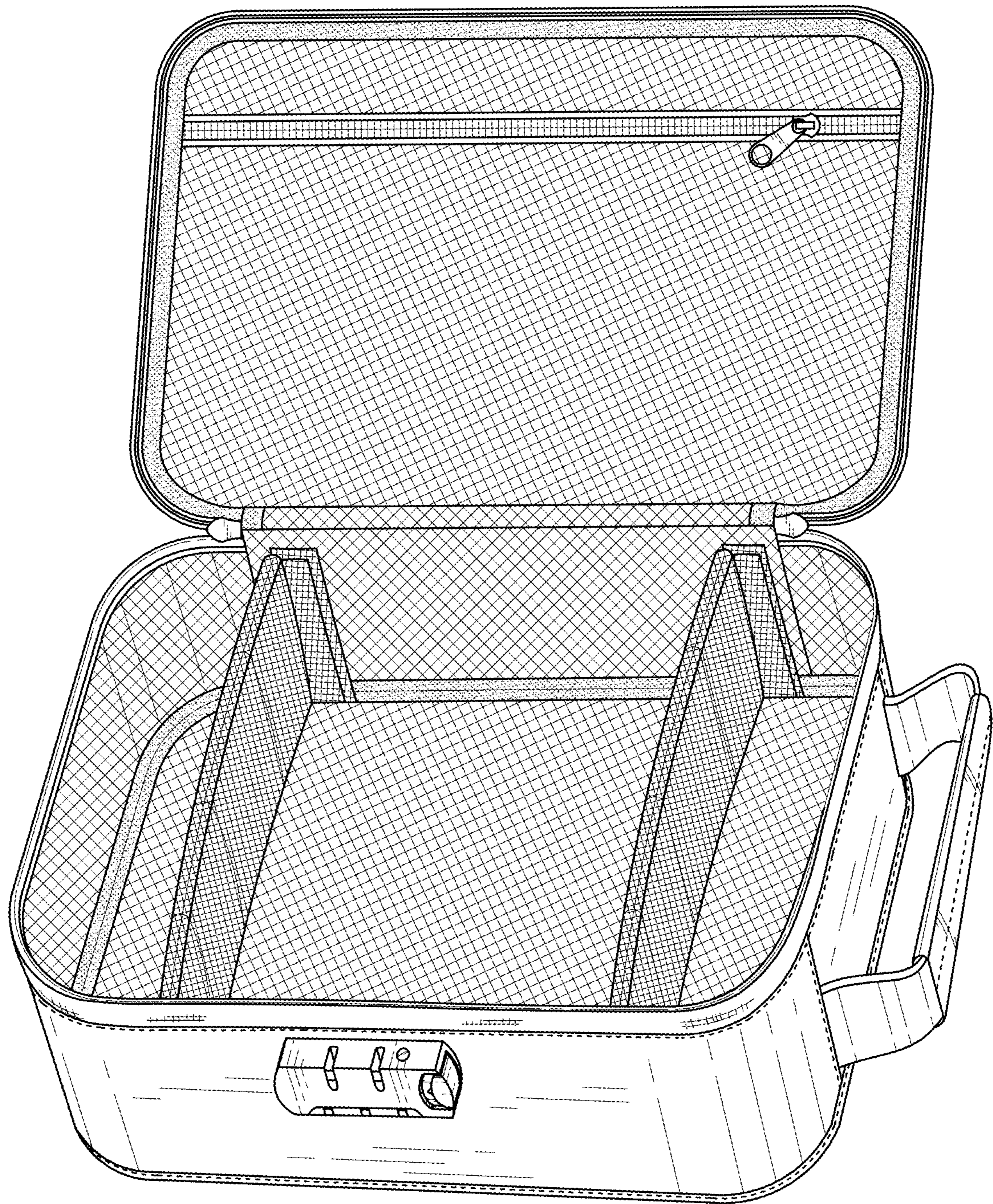


FIG. 2

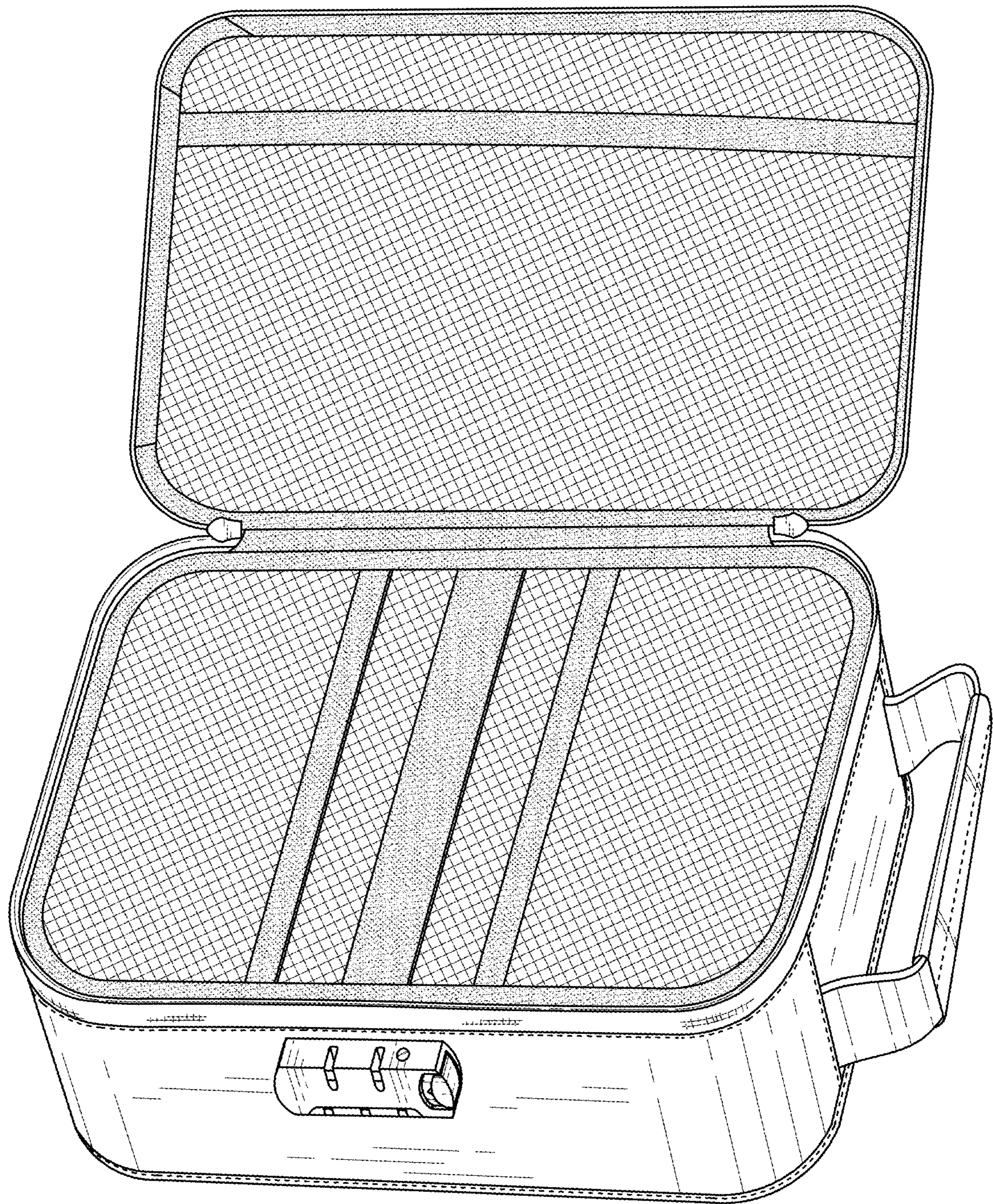


FIG. 3

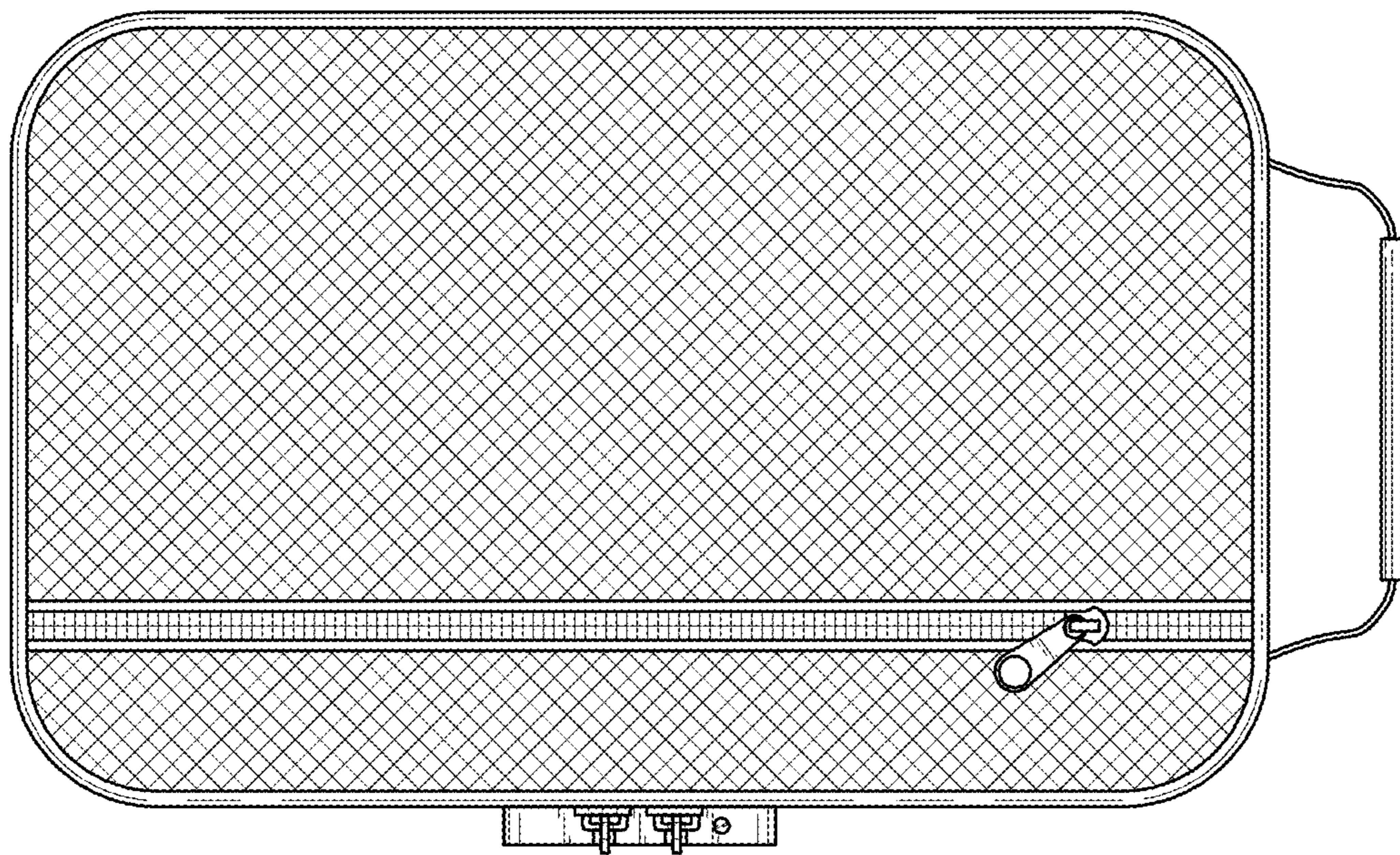


FIG. 4

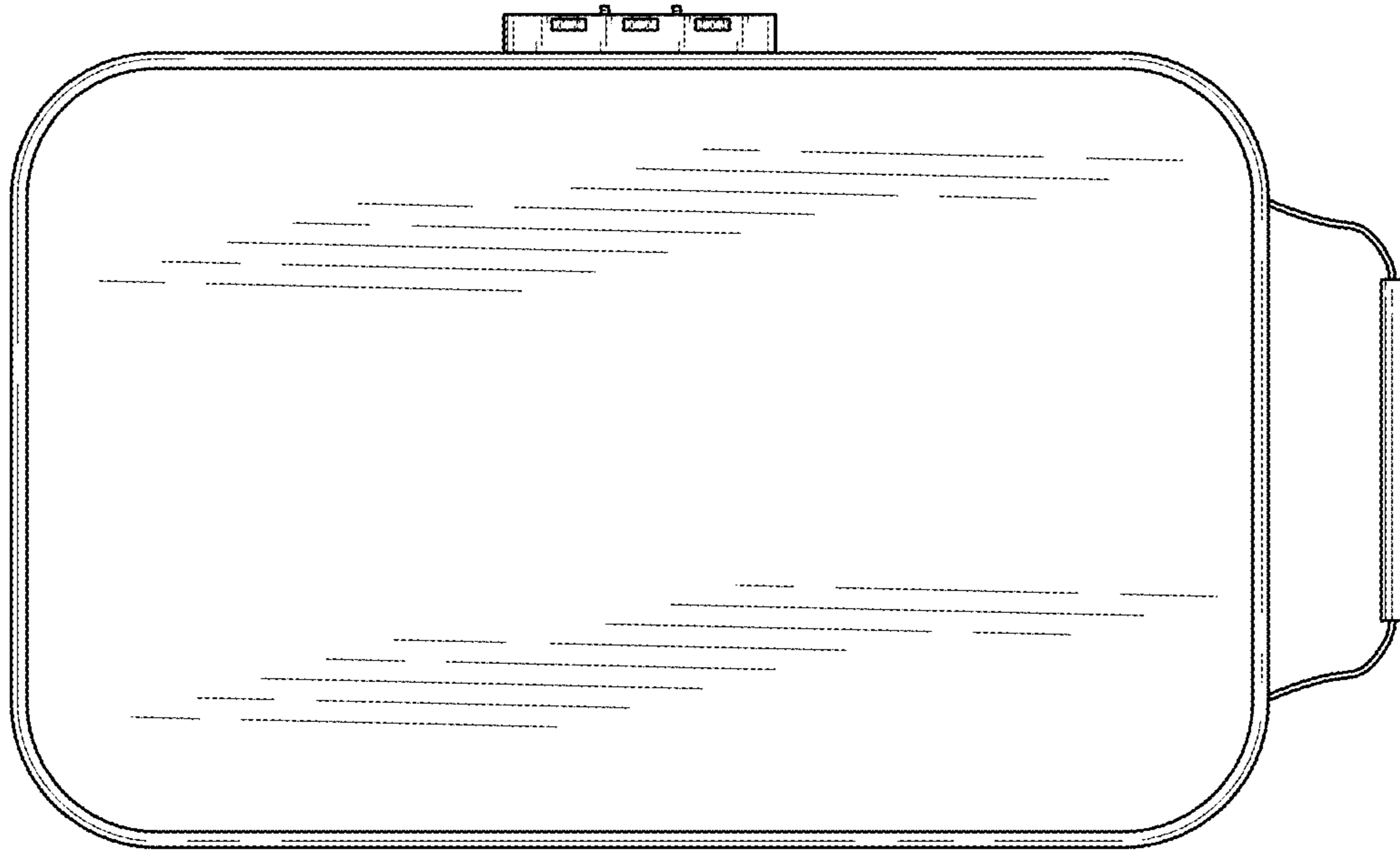


FIG. 5

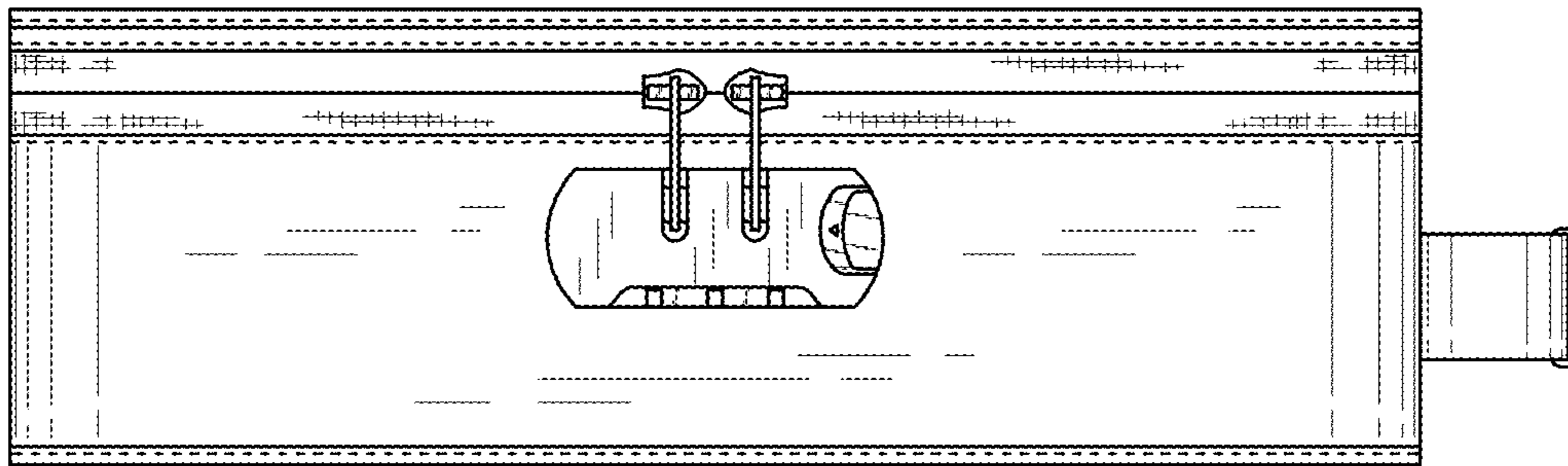


FIG. 6

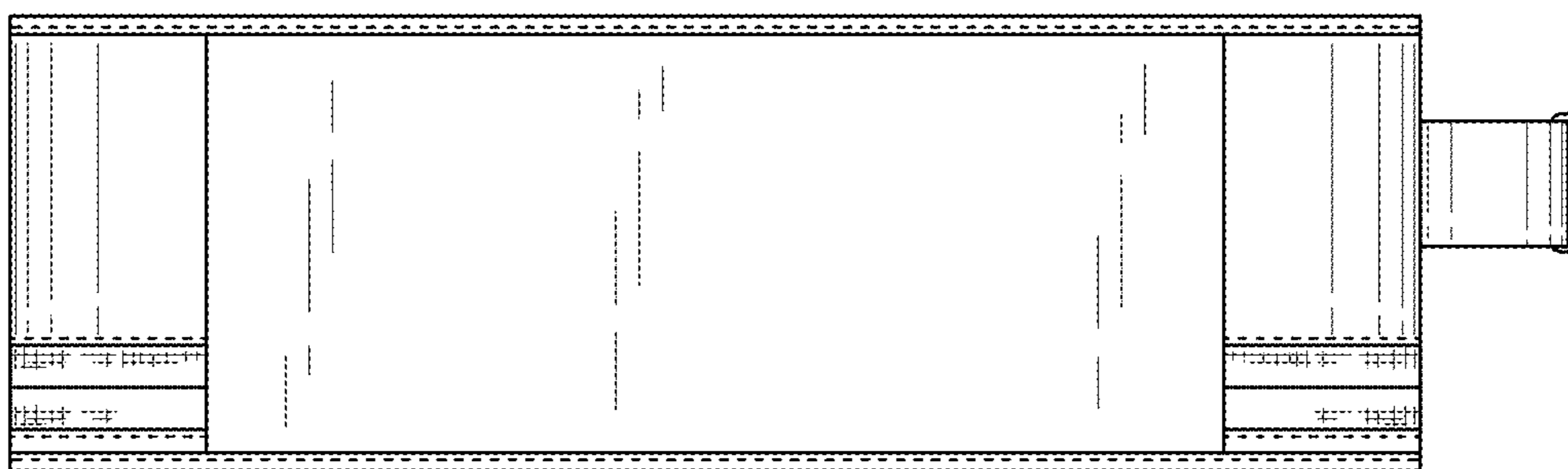


FIG. 7

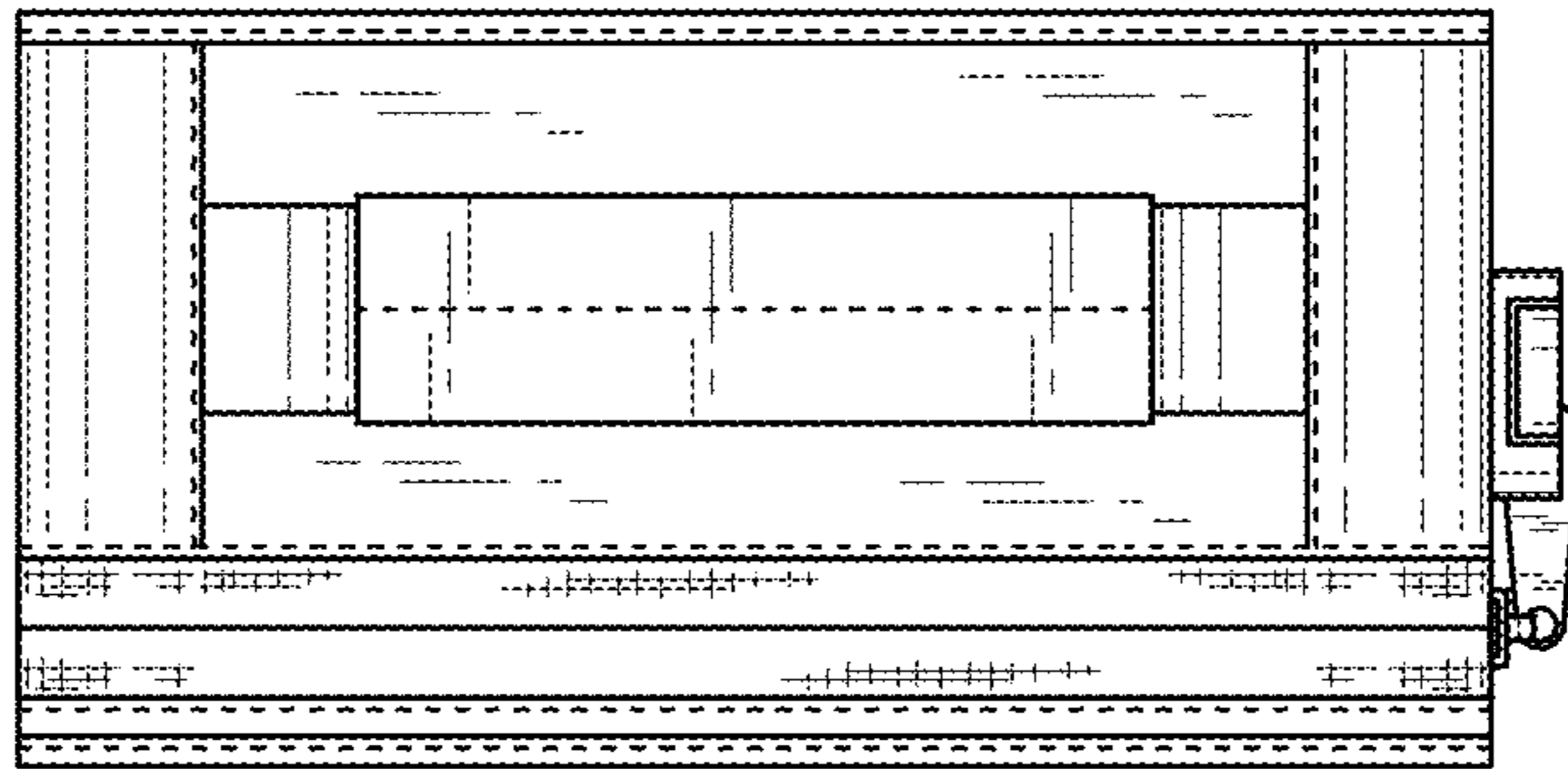


FIG. 8

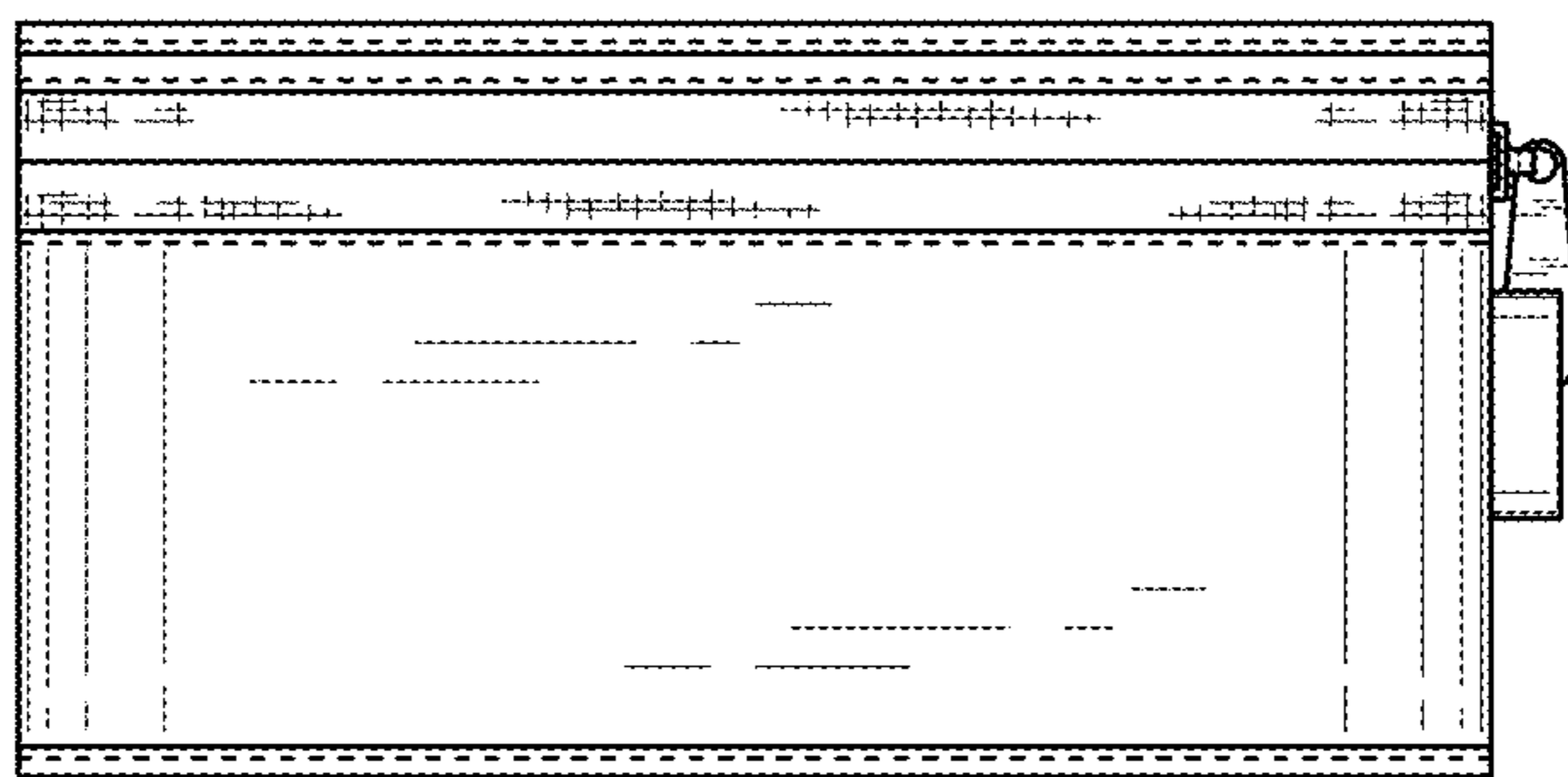


FIG. 9