



US00D893870S

(12) **United States Design Patent** (10) **Patent No.:** **US D893,870 S**
Dahle et al. (45) **Date of Patent:** **** Aug. 25, 2020**

(54) **PORTABLE STORAGE CONTAINER**

4,526,414 A 7/1985 Jones
4,753,329 A 6/1988 Choy
4,793,532 A 12/1988 Cash

(71) Applicant: **North Atlantic Imports, LLC**, North Logan, UT (US)

(Continued)

(72) Inventors: **Roger Dahle**, Providence, UT (US);
Jeffrey D. Clark, Logan, UT (US)

OTHER PUBLICATIONS

(73) Assignee: **North Atlantic Imports, LLC**, North Logan, UT (US)

Kenyon, "Grill Utensil Kit", First reviewed Dec. 29, 2014. (<https://www.cookwithkenyon.com/shop/grill-utensil-kit/>) (Year: 2014).*

(Continued)

(**) Term: **15 Years**

Primary Examiner — April Rivas

(21) Appl. No.: **29/677,813**

(74) *Attorney, Agent, or Firm* — David L. Stott

(22) Filed: **Jan. 23, 2019**

(57) **CLAIM**

(51) **LOC (12) Cl.** **03-01**

The ornamental design for a portable storage container, as shown and described.

(52) **U.S. Cl.**

USPC **D3/285**; D3/290; D3/902

(58) **Field of Classification Search**

DESCRIPTION

USPC D3/273, 276, 278, 283, 284, 285, 289,
D3/290, 301, 900, 243, 245, 217, 239,
D3/240, 246, 902

CPC .. A45C 11/20; A45C 1/02; A45C 3/04; A45C
5/005; A45C 3/004

See application file for complete search history.

FIG. 1 is an isometric front view of an embodiment of a portable storage container;

FIG. 2 is a front view of the portable storage container of FIG. 1;

FIG. 3 is a rear view of the portable storage container of FIG. 1;

FIG. 4 is a left-side view of the portable storage container of FIG. 1;

FIG. 5 is a right-side view of the portable storage container of FIG. 1;

FIG. 6 is a top view of the portable storage container of FIG. 1;

FIG. 7 is a bottom view of the portable storage container of FIG. 1; and,

FIG. 8 is an isometric front view of an open position of the portable storage container of FIG. 1.

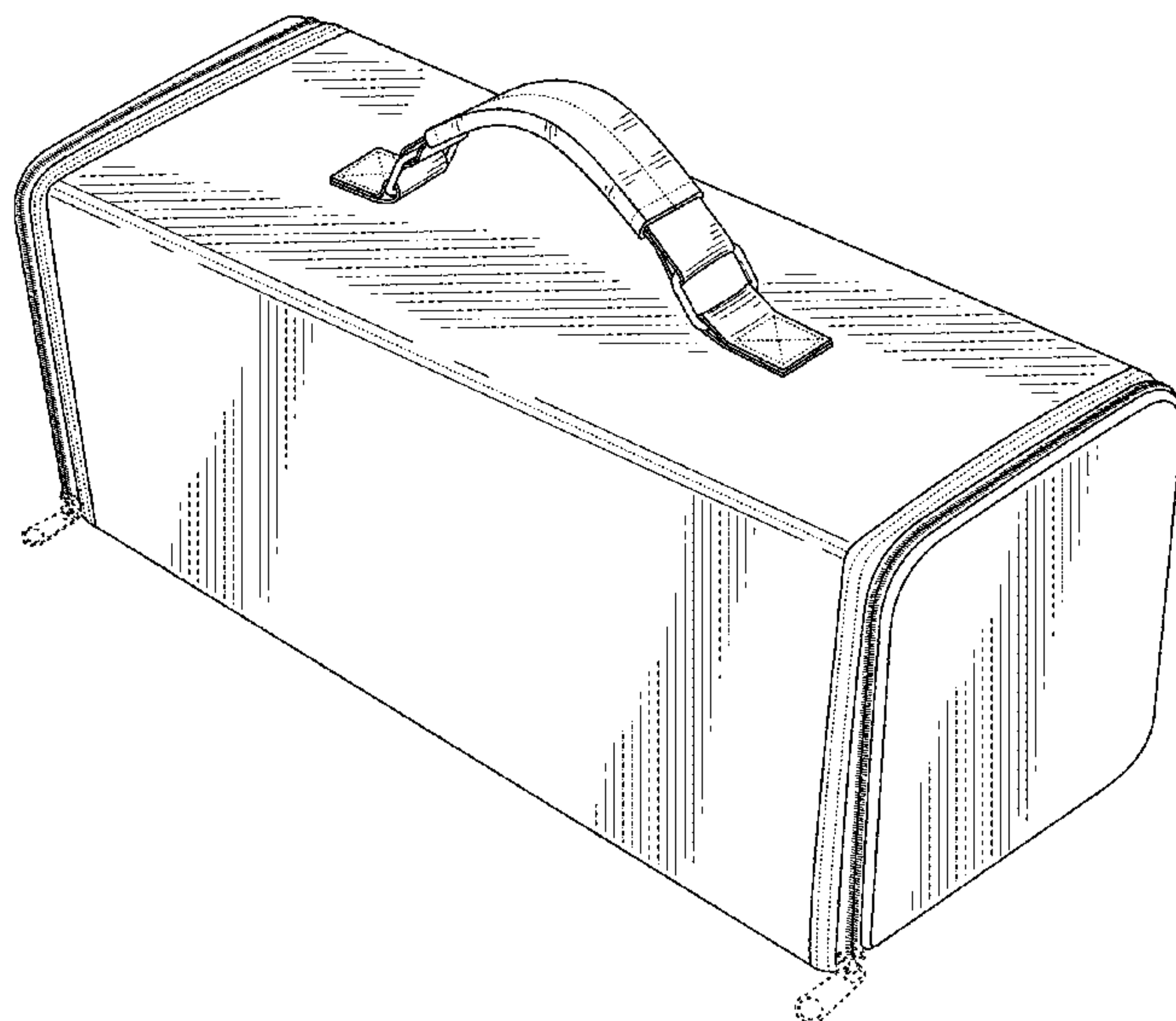
The broken lines in the drawings represent portions of the portable storage container that form no part of the claimed design.

(56) **References Cited**

U.S. PATENT DOCUMENTS

1,136,710 A	10/1862	Hamlin
1,847,254 A	3/1907	Jackson
1,495,220 A	5/1924	Carroll
1,509,930 A	9/1924	Charsky
1,679,101 A	7/1928	Sternthal
1,939,497 A	12/1933	Herring
2,038,319 A	4/1936	Stanley
2,167,926 A	8/1939	Glasker
2,205,205 A	6/1940	King
2,679,877 A	6/1954	Leggett
3,717,188 A	2/1973	Green
3,777,862 A	12/1973	Zipper
3,994,372 A	11/1976	Geller et al.
4,047,650 A	9/1977	Domingos

1 Claim, 8 Drawing Sheets



(56)

References Cited

U.S. PATENT DOCUMENTS

4,984,906	A	1/1991	Little	
5,011,017	A	4/1991	Giesen	
5,332,093	A	7/1994	Littlepage	
5,611,625	A	3/1997	Legendre	
5,918,711	A	7/1999	Godshaw	
6,050,374	A	4/2000	Johnston	
6,681,936	B2	1/2004	Godshaw et al.	
7,044,277	B2 *	5/2006	Redzisz	A45C 7/0077 190/107
D625,102	S *	10/2010	Jacobs	D3/289
9,004,760	B2	4/2015	Tzortzis	
D732,824	S *	6/2015	Tzortzis	D3/288
D739,142	S	9/2015	Coleman	
D759,372	S	6/2016	Monroe et al.	
D778,049	S *	2/2017	Kogelnik	D3/274
D819,327	S *	6/2018	Jusic	D3/217
D838,478	S *	1/2019	Dean	D3/262
2003/0010780	A1	1/2003	Redzisz	
2003/0209462	A1	11/2003	Godshaw et al.	
2003/0221924	A1	12/2003	Tong	
2005/0000848	A1	1/2005	Turner et al.	
2005/0011774	A1	1/2005	Barker	
2006/0078231	A1	4/2006	Limber	
2008/0283350	A1	11/2008	Vorderkunz	
2012/0006701	A1	1/2012	Rothschild et al.	
2018/0014614	A1	1/2018	Marshall	

OTHER PUBLICATIONS

Jende, "Chef's Roll Knife Bag", Accessed Apr. 15, 2020. (<https://jendeindustries.com.au/chef-s-roll-knife-bag.html>) (Year: 2020).*

* cited by examiner

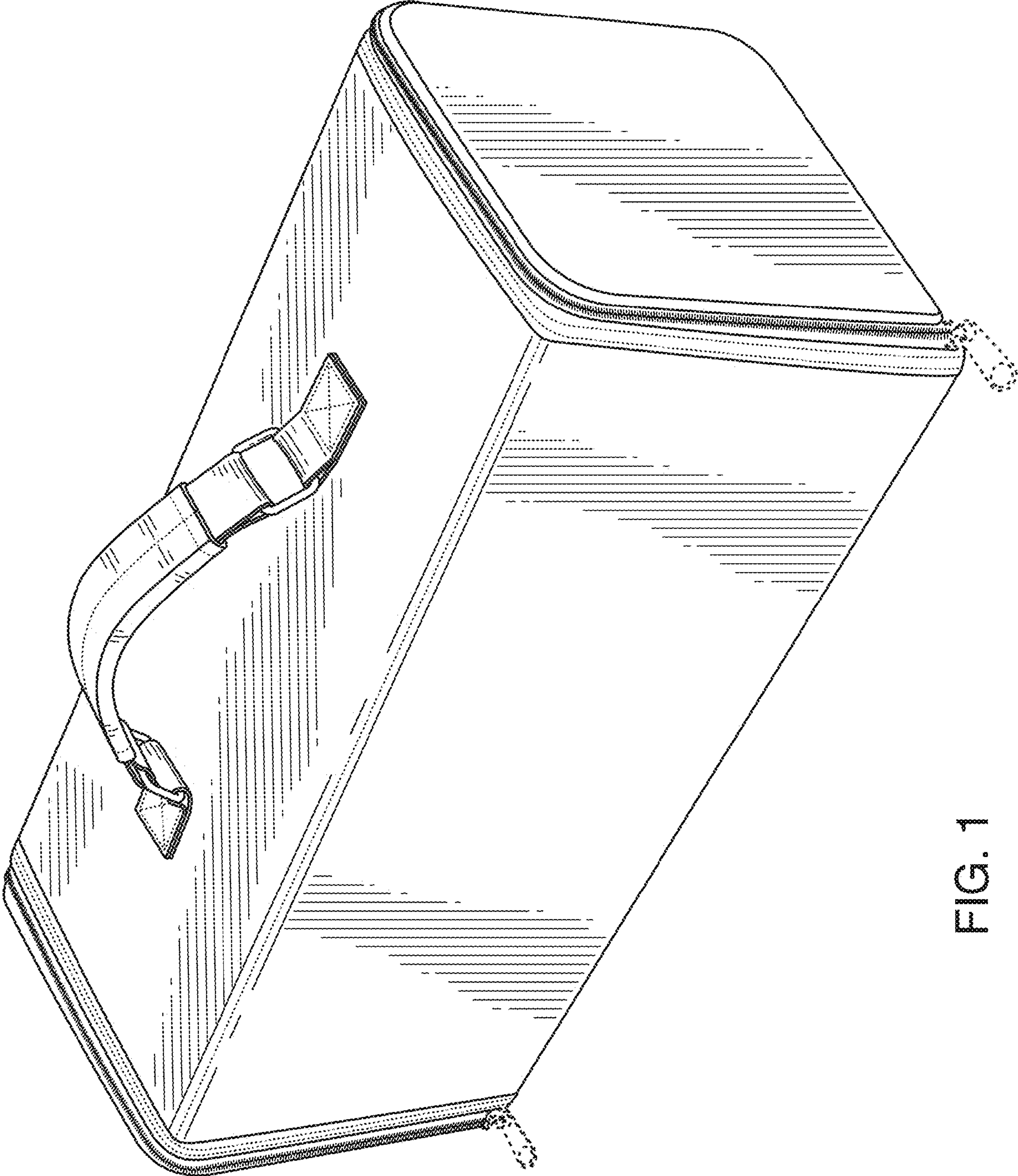


FIG. 1

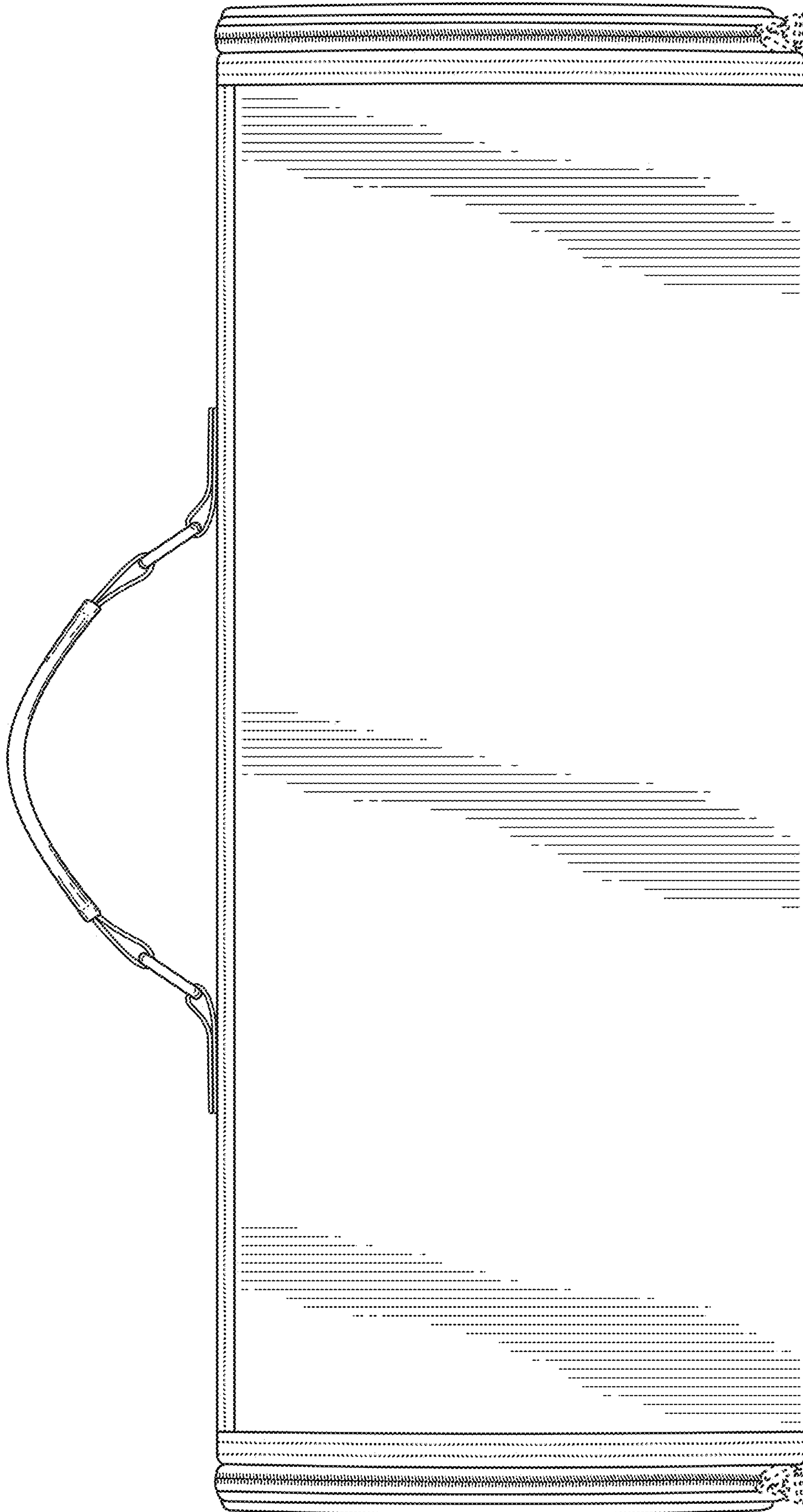


FIG. 2

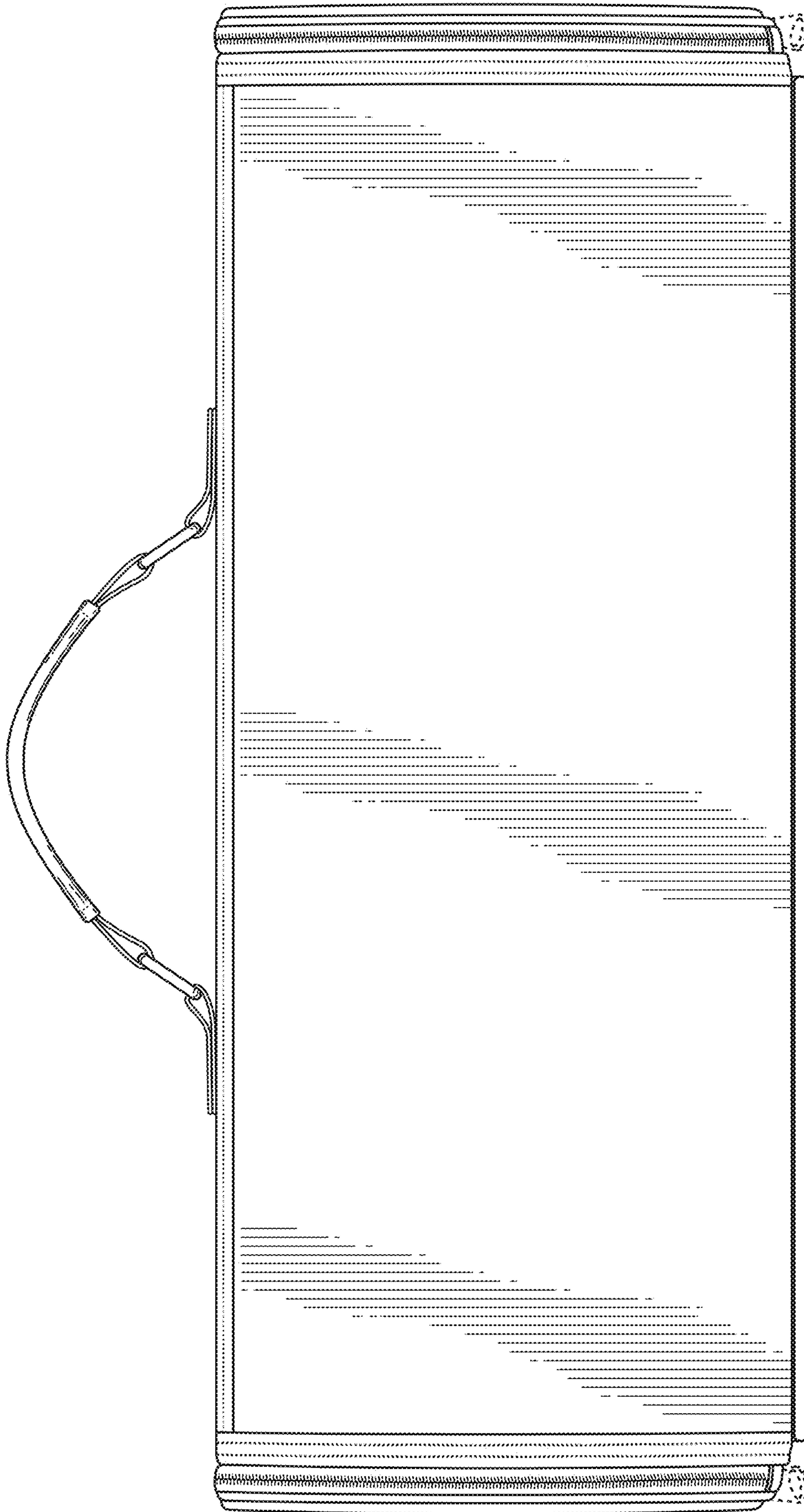


FIG. 3

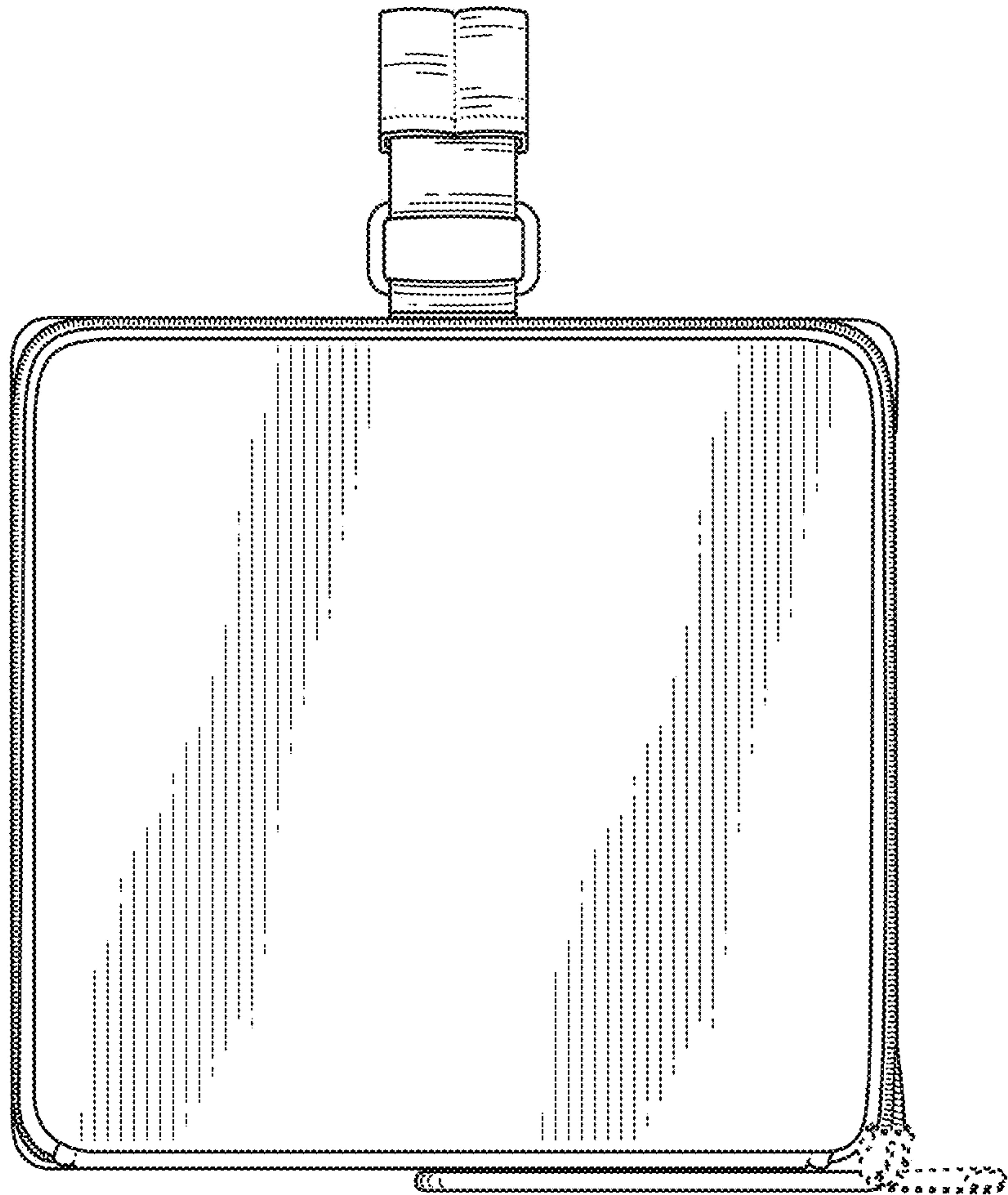


FIG. 4

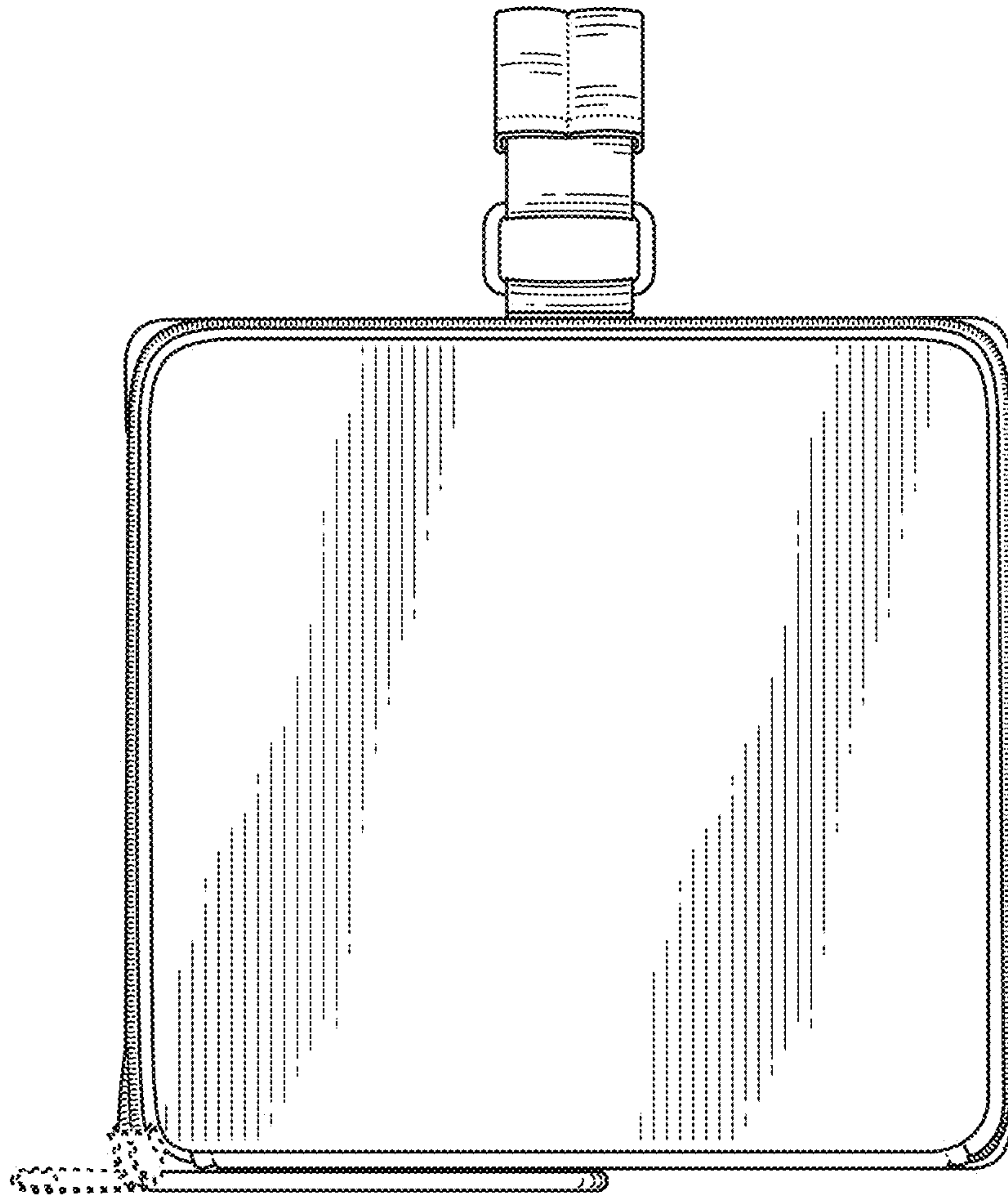


FIG. 5

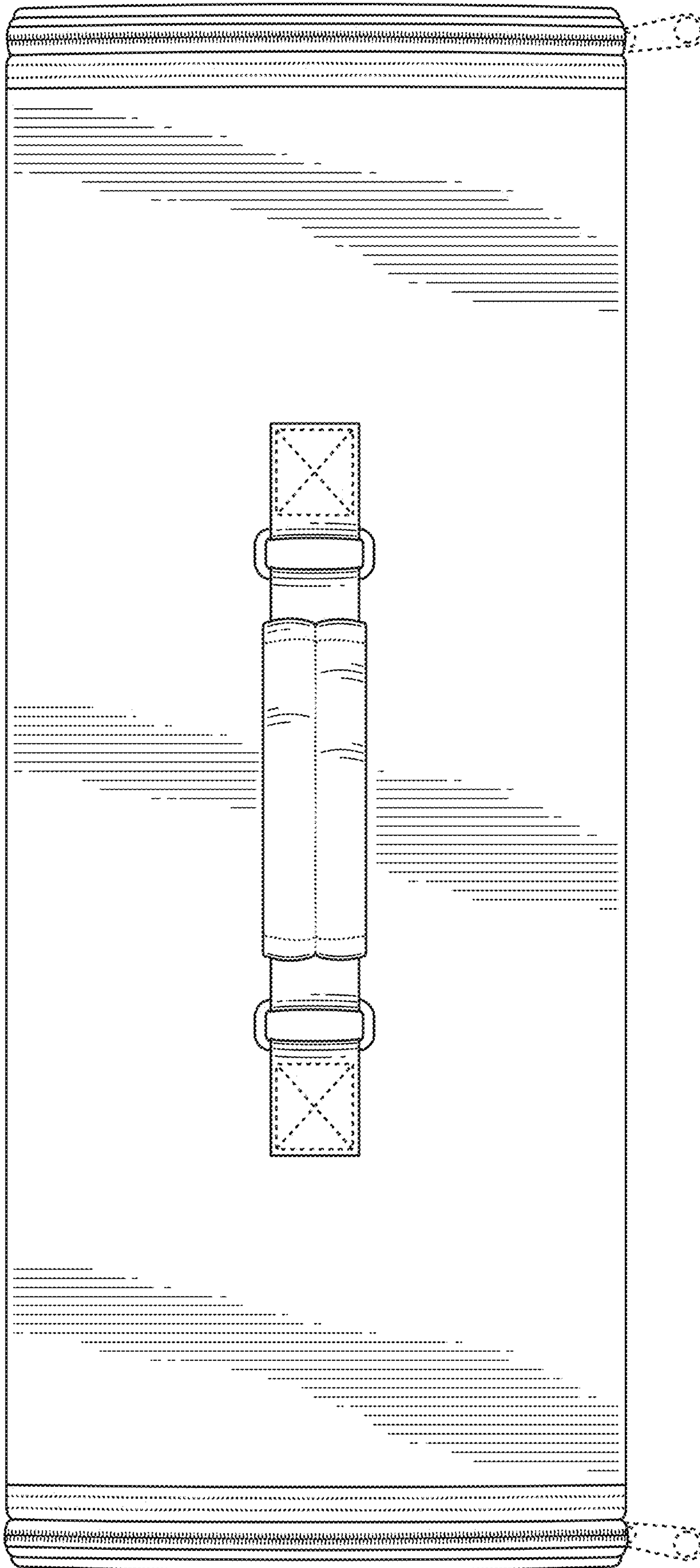


FIG. 6

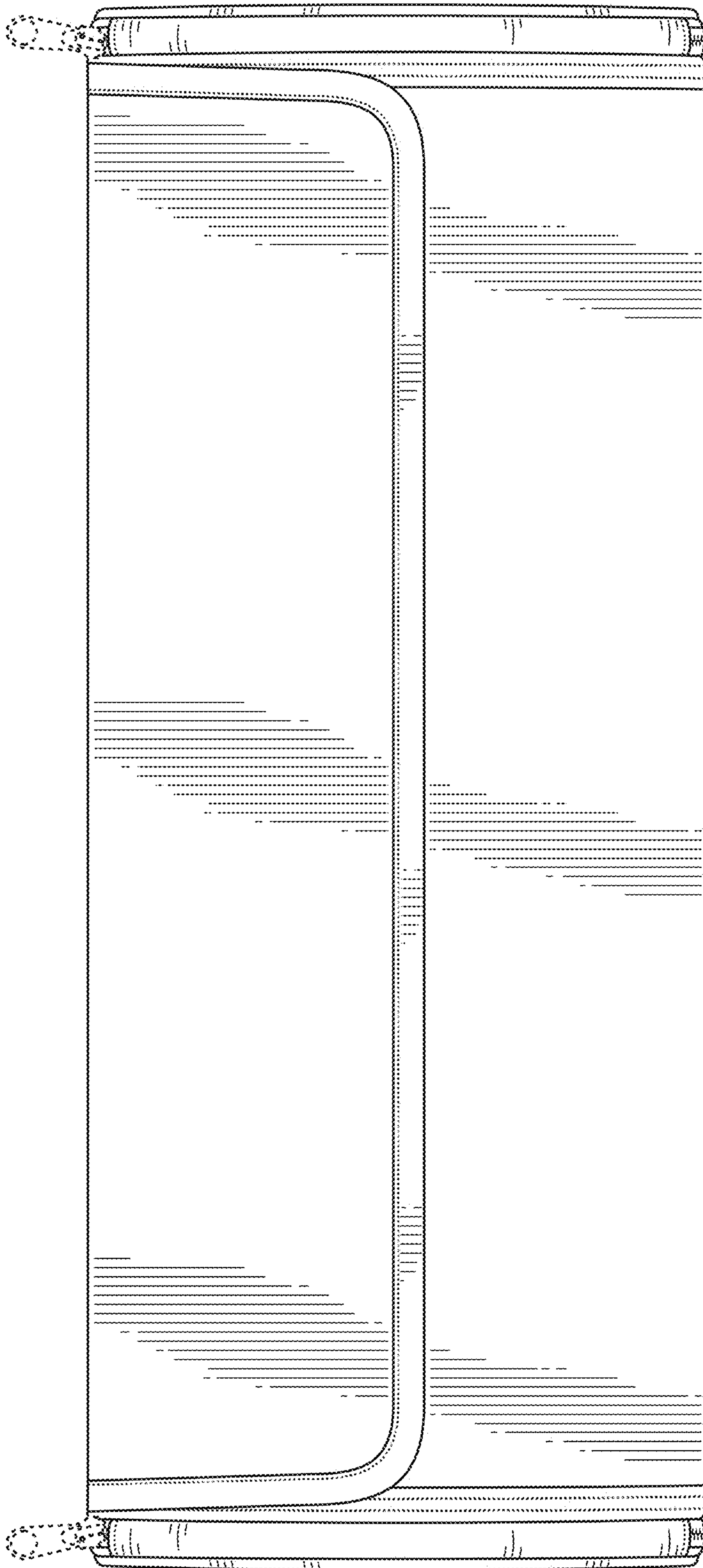


FIG. 7

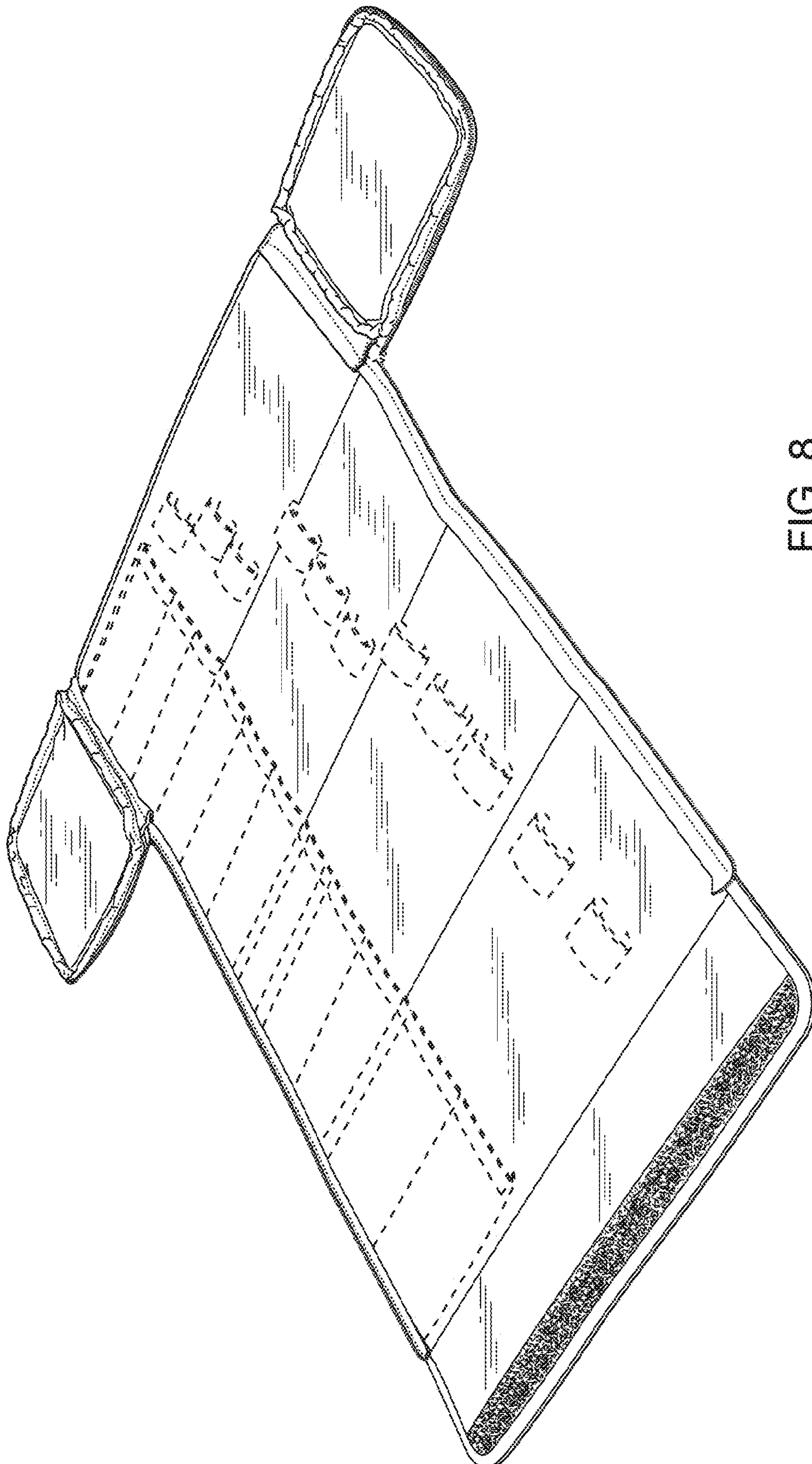


FIG. 8