



US00D893869S

(12) **United States Design Patent** (10) **Patent No.:** **US D893,869 S**
Krämer et al. (45) **Date of Patent:** **** *Aug. 25, 2020**

(54) **TOOL BOX**

(71) Applicant: **Betek GmbH & Co. KG**, Aichhalden (DE)

(72) Inventors: **Simon Krämer**, Hofstetten (DE);
Heiko Friederichs, Aichhalden (DE)

(73) Assignee: **Betek GmbH & Co. KG** (DE)

(*) Notice: This patent is subject to a terminal disclaimer.

(**) Term: **15 Years**

(21) Appl. No.: **29/683,794**

(22) Filed: **Mar. 15, 2019**

(30) **Foreign Application Priority Data**

Dec. 3, 2018 (EM) 005841673

(51) **LOC (12) Cl.** **03-01**

(52) **U.S. Cl.**
USPC **D3/282; D3/291; D3/905**

(58) **Field of Classification Search**
USPC D3/272, 273, 276, 279, 282, 284, 291,
D3/294, 302, 900, 905, 903; D19/106,
D19/81, 83
CPC B25H 3/02
See application file for complete search history.

(56) **References Cited**

U.S. PATENT DOCUMENTS

4,351,448 A * 9/1982 Ingersoll B25H 3/02
206/508
D527,522 S * 9/2006 Kammerer D3/291

D588,810 S * 3/2009 Rowlett D3/291
D668,869 S * 10/2012 Yamamoto D3/281
D718,934 S * 12/2014 Lin D3/281
D804,177 S * 12/2017 Zemel D3/295
D873,010 S * 1/2020 Feng D3/281

FOREIGN PATENT DOCUMENTS

DM 101447 A1 4/2018

* cited by examiner

Primary Examiner — April Rivas

(74) *Attorney, Agent, or Firm* — Lucian Wayne Beavers;
Patterson Intellectual Property Law, PC

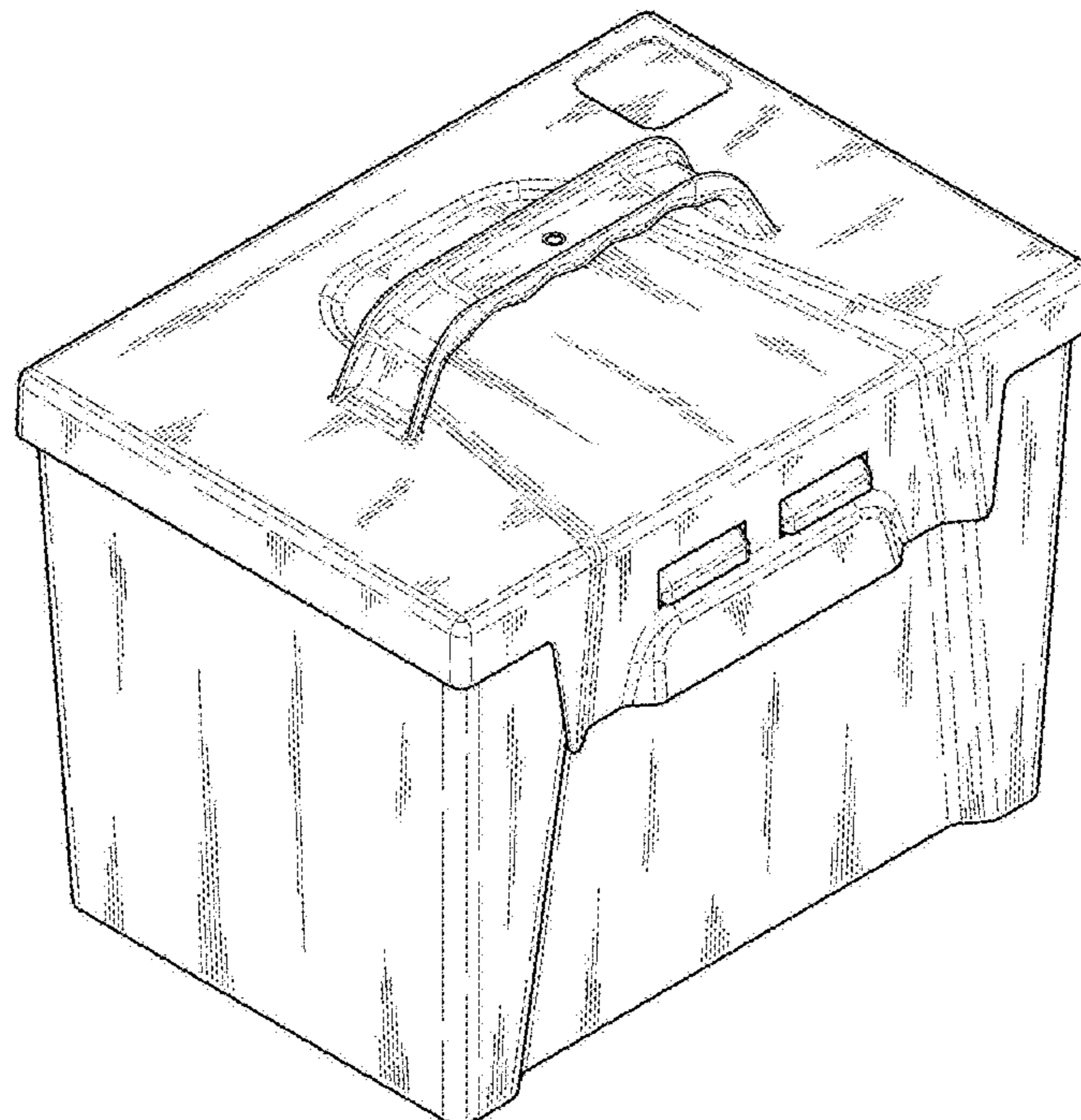
(57) **CLAIM**

What is claimed is the ornamental design for a tool box, as shown and described.

DESCRIPTION

FIG. 1 is a left front perspective view of the tool box.
FIG. 2 is a front elevation view thereof.
FIG. 3 is a back elevation view thereof.
FIG. 4 is a right side elevation view thereof.
FIG. 5 is a left side elevation view thereof.
FIG. 6 is a top view thereof; and,
FIG. 7 is a bottom view thereof.
The areas within the dashed borders in FIGS. 4 and 7 are not part of the claimed design.

1 Claim, 6 Drawing Sheets



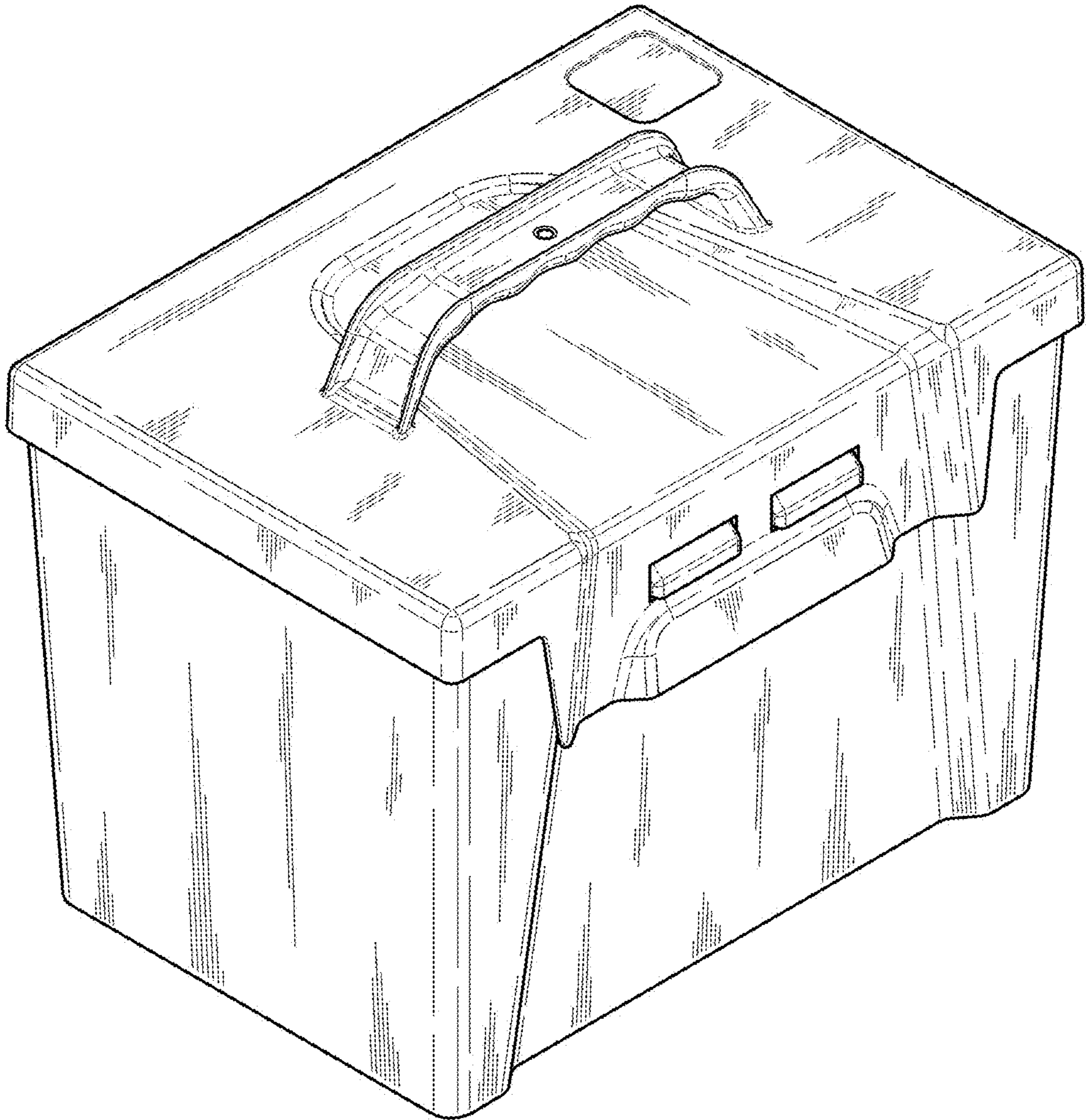


FIG. 1

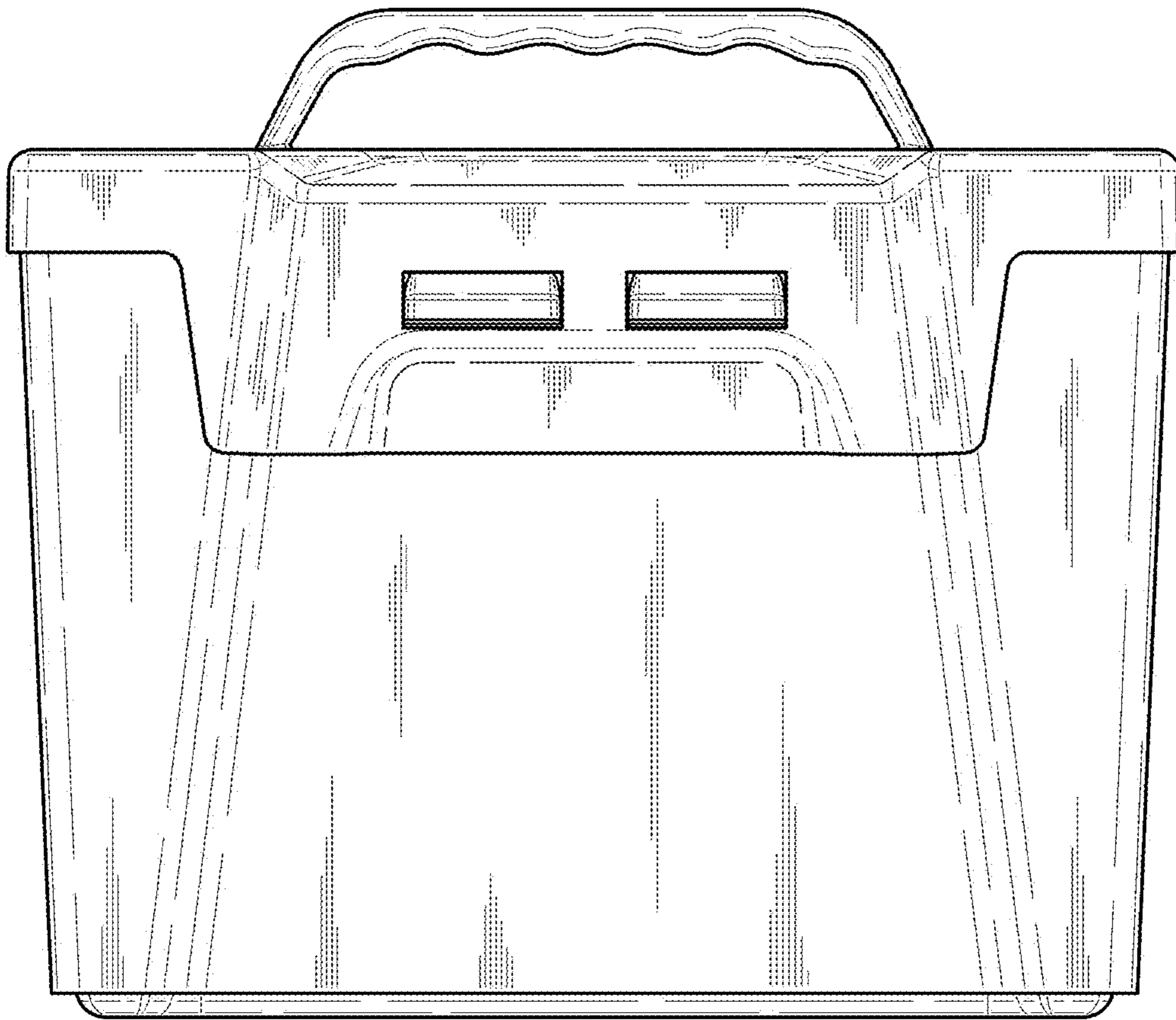


FIG. 2

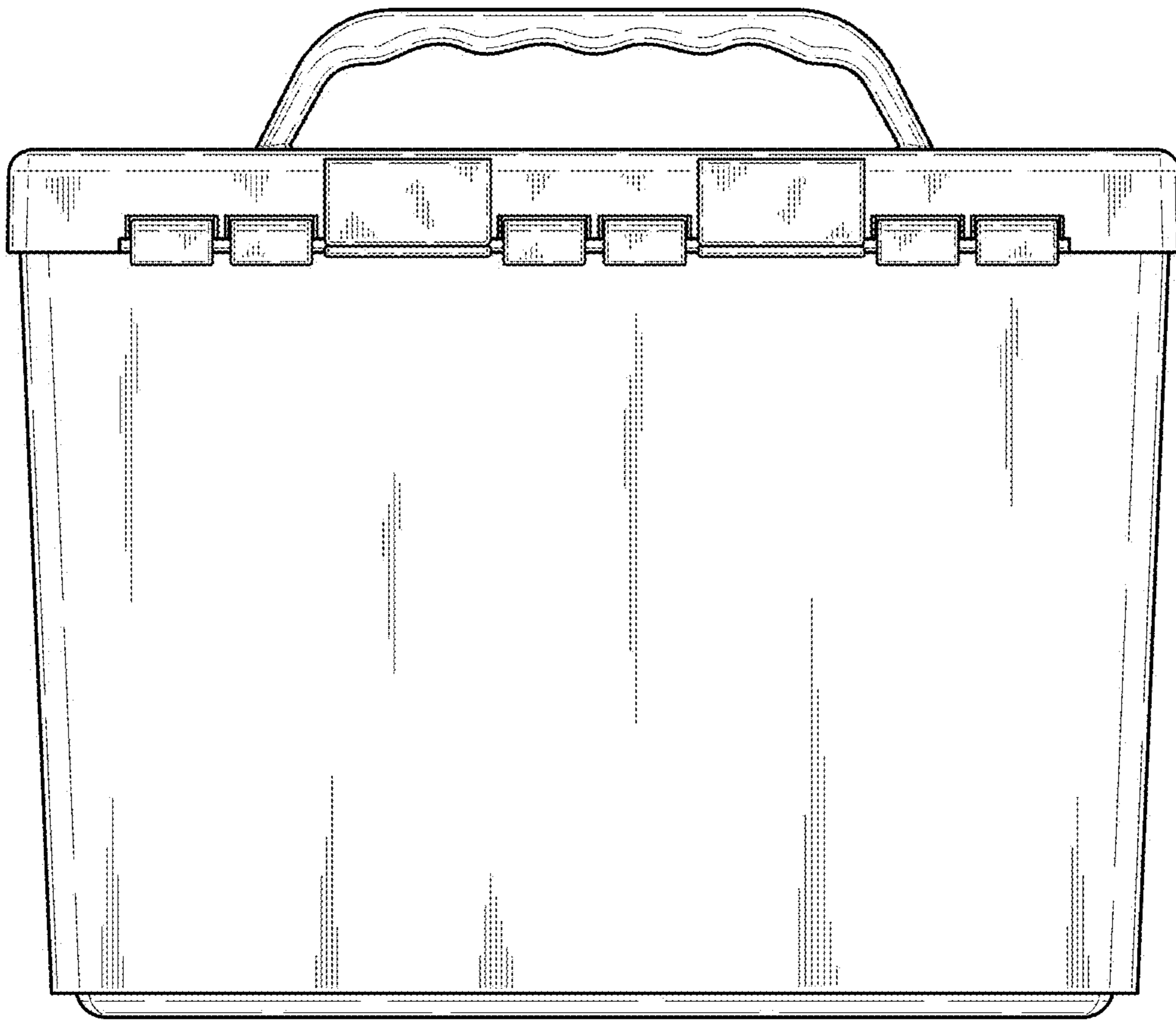


FIG. 3

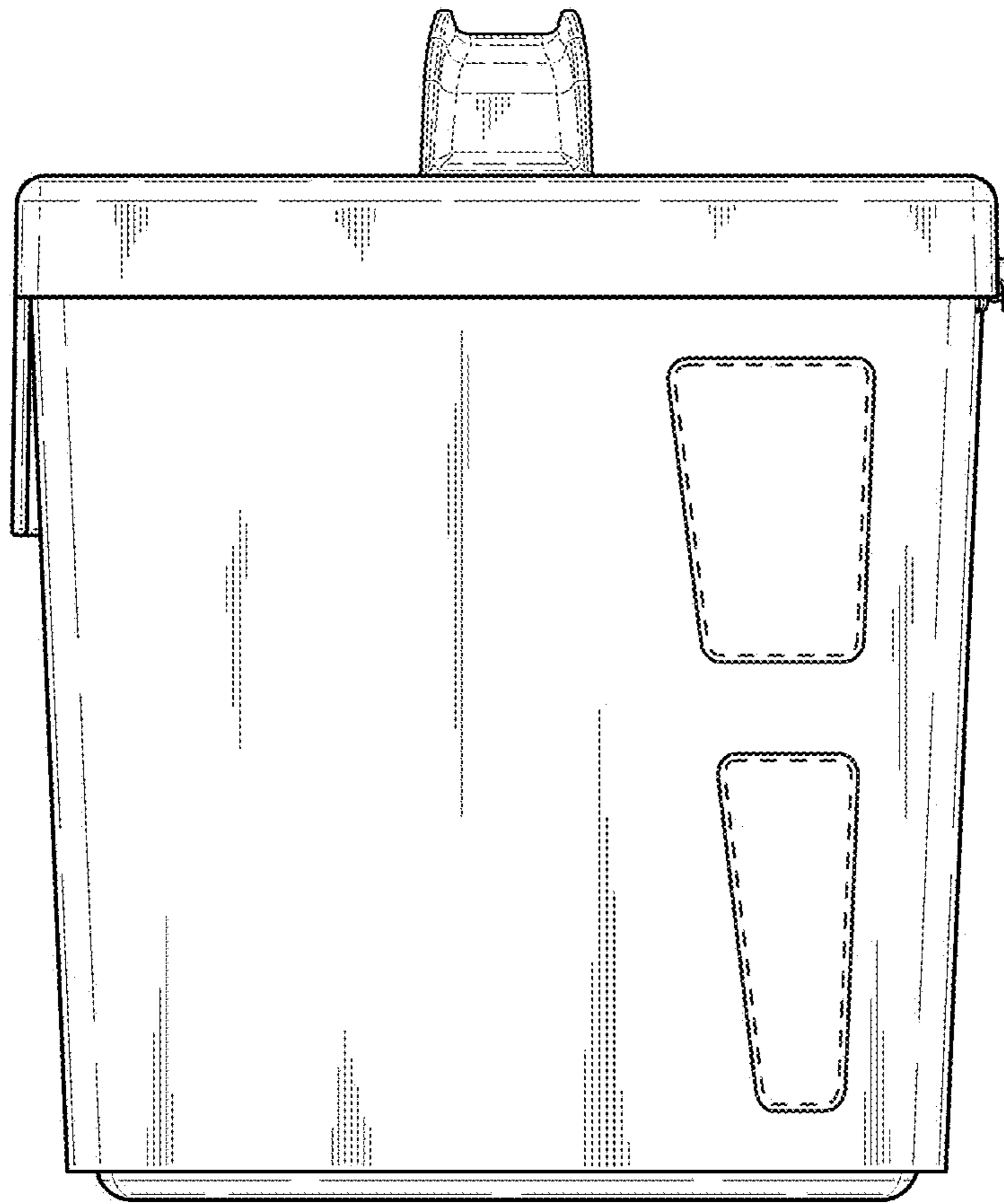


FIG. 4

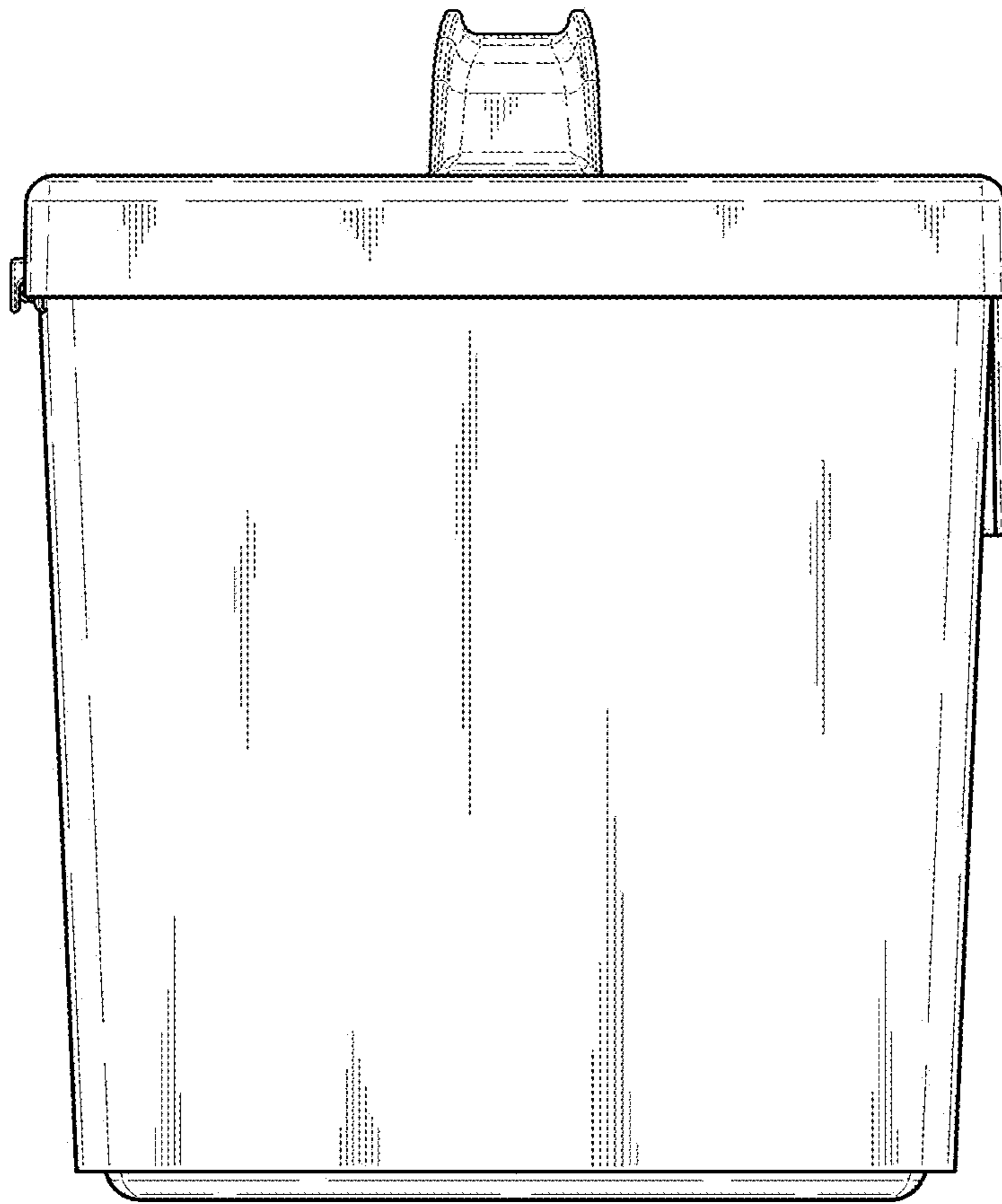


FIG. 5

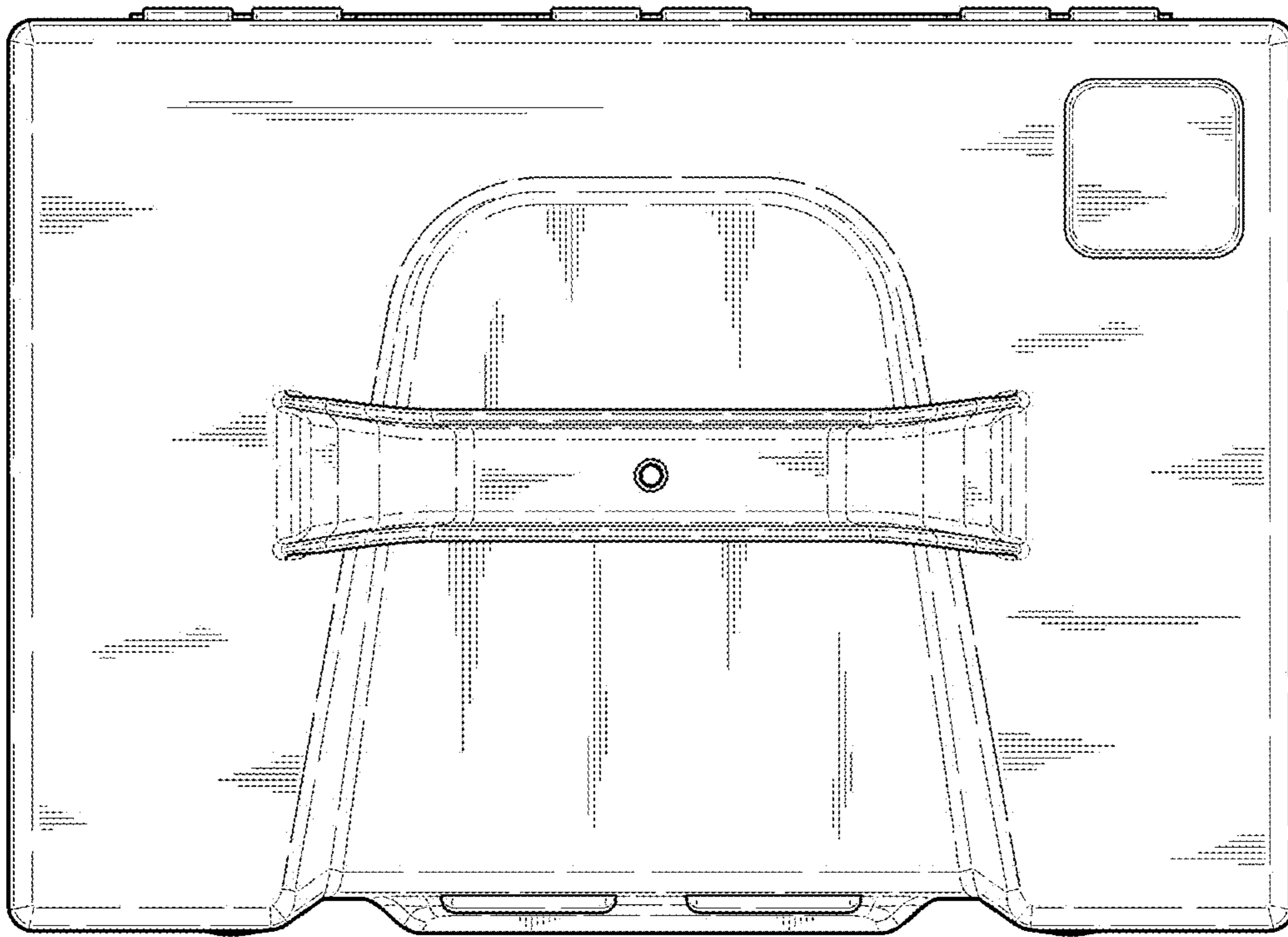


FIG. 6

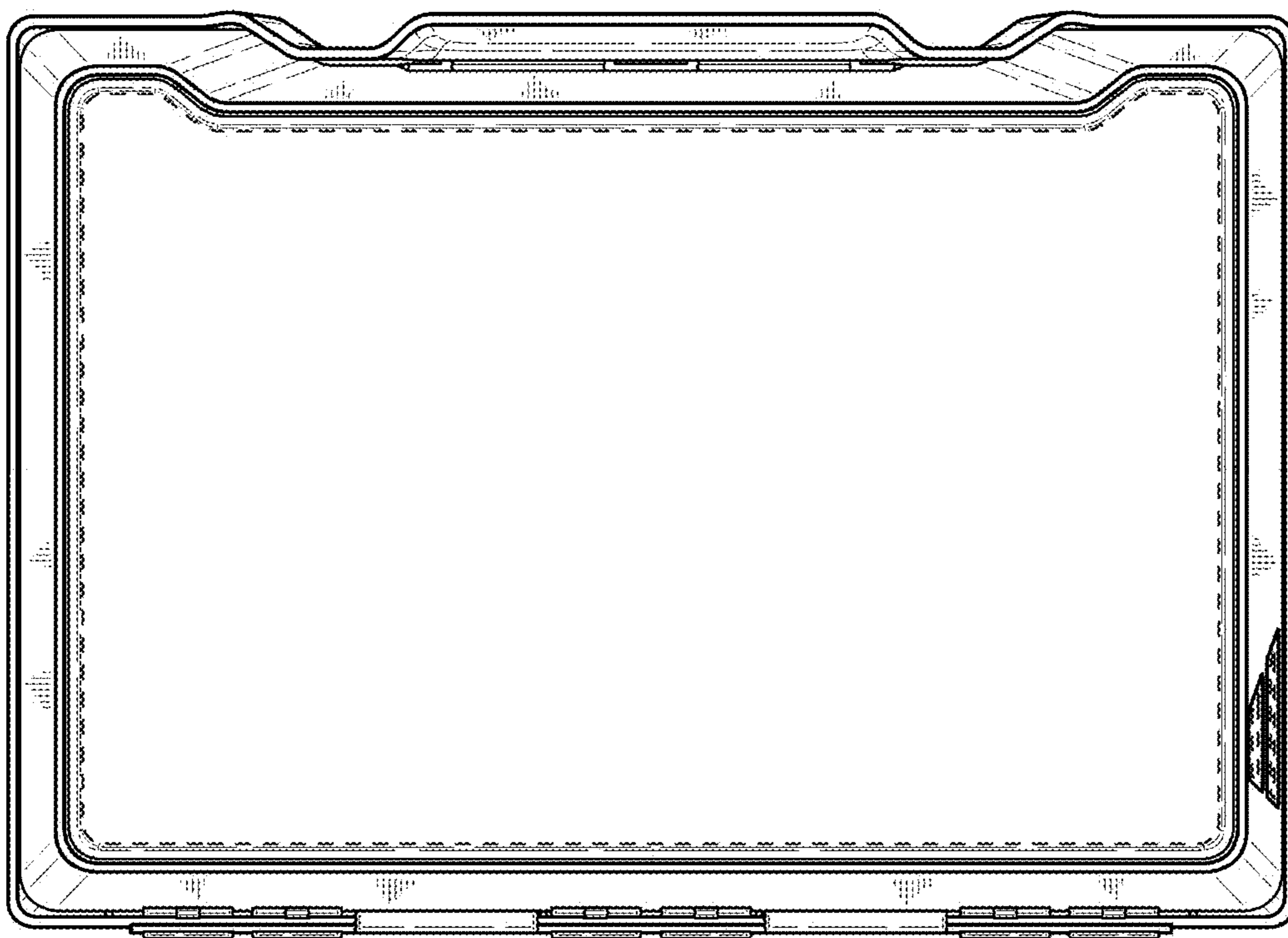


FIG. 7