



US00D893868S

(12) **United States Design Patent**
Saubier et al.

(10) **Patent No.:** **US D893,868 S**

(45) **Date of Patent:** **** Aug. 25, 2020**

- (54) **SHOTGUN SHELL CARRIER**
- (71) Applicant: **W. L. Gore & Associates, Inc.**,
Newark, DE (US)
- (72) Inventors: **James L. Saubier**, Flagstaff, AZ (US);
Sky Sterry, Bozeman, MT (US)
- (73) Assignee: **W.L. Gore & Associates, Inc.**, Newark,
DE (US)
- (**) Term: **15 Years**
- (21) Appl. No.: **29/664,515**
- (22) Filed: **Sep. 26, 2018**
- (51) **LOC (12) Cl.** **03-01**
- (52) **U.S. Cl.**
USPC **D3/262**
- (58) **Field of Classification Search**
USPC D3/262, 201, 215, 221, 222, 224, 254,
D3/303, 315
CPC A45F 5/02; F41A 9/65; F41C 33/02; F42B
39/00; F42B 39/02; F42B 39/14–39/24;
F42B 39/26; F42B 39/28
See application file for complete search history.

- 6,364,157 B1 * 4/2002 Tosspon A47F 1/08
221/191
- D463,117 S * 9/2002 Carter D3/221
- 6,817,135 B1 * 11/2004 Jackson F42B 39/002
206/3
- D556,449 S * 12/2007 Rogers D3/222
- 7,806,293 B2 * 10/2010 Altieri F42B 39/002
221/185
- 8,122,635 B2 * 2/2012 Pullicar F41A 9/72
42/71.01
- D697,711 S * 1/2014 Stevens, IV D3/221
- 8,826,577 B1 * 9/2014 Bentley F41C 23/22
42/49.01
- 8,960,497 B2 * 2/2015 Lefeber F42B 39/26
221/197
- D730,475 S * 5/2015 Iannello D22/108
- 9,651,347 B2 * 5/2017 Rodriguez F42B 39/02
- 10,082,378 B2 * 9/2018 Roth F42B 39/02
- D853,109 S * 7/2019 Wilson D3/222

* cited by examiner

Primary Examiner — Mitchell I. Siegel

(74) *Attorney, Agent, or Firm* — Greenberg Traurig, LLP

(57) **CLAIM**

The ornamental design for a shotgun shell carrier, as shown and described.

DESCRIPTION

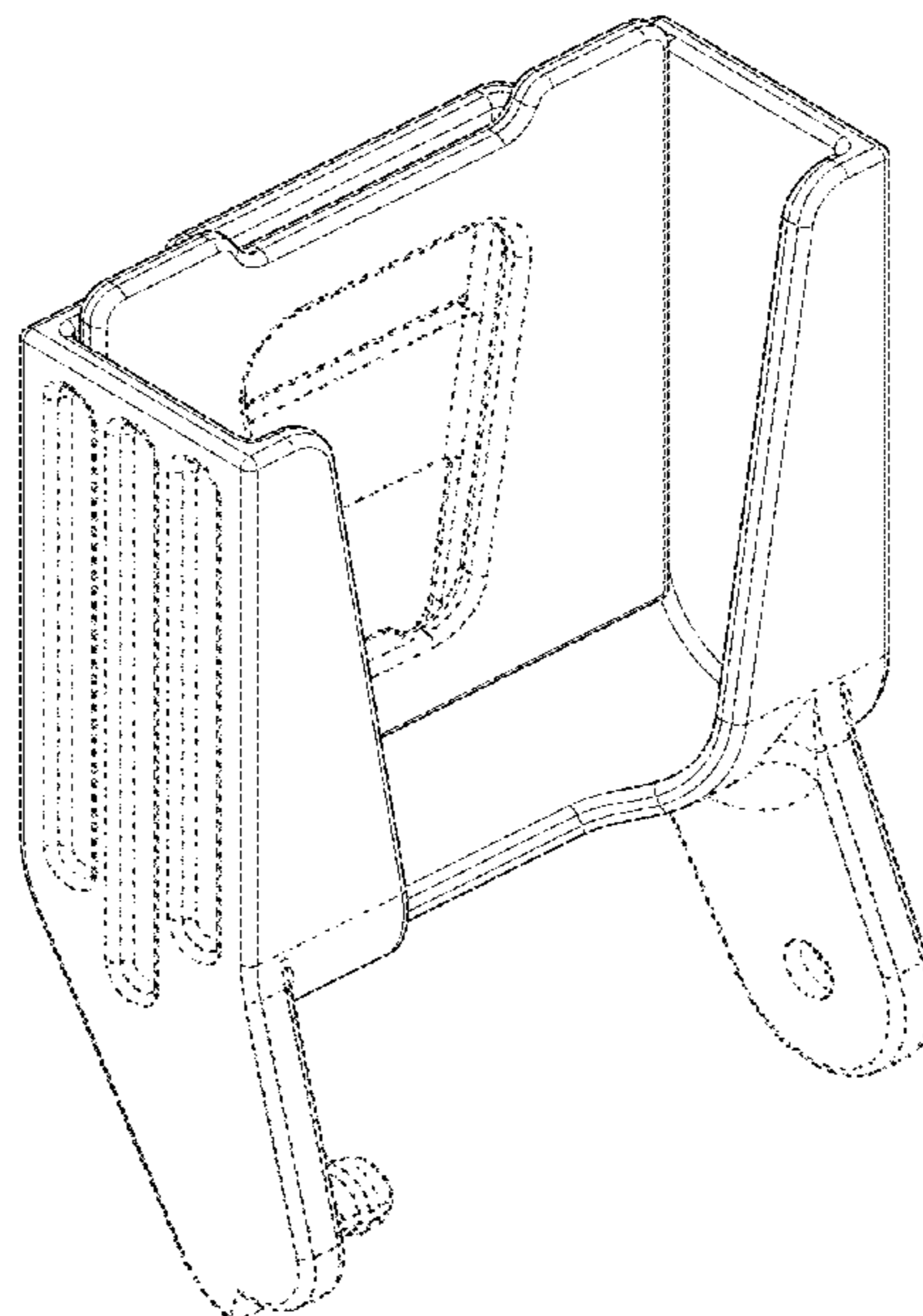
FIG. 1 is a first, side perspective view of a first portion of a shotgun shell carrier;
FIG. 2 is a first side view thereof;
FIG. 3 is a second side view thereof;
FIG. 4 is a third side view thereof;
FIG. 5 is a fourth side view thereof,
FIG. 6 is a top side view thereof; and,
FIG. 7 is a bottom side view thereof.
Broken lines are also for illustrative purposes only and form no part of the claimed design.

1 Claim, 6 Drawing Sheets

(56) **References Cited**

U.S. PATENT DOCUMENTS

- 3,219,244 A * 11/1965 Blask F42B 39/02
221/310
- 3,283,954 A * 11/1966 Spooner F42B 39/002
221/232
- 4,194,657 A * 3/1980 Thor F42B 39/02
224/667
- 4,381,845 A * 5/1983 Feis F42B 39/02
221/185
- 4,757,894 A * 7/1988 Schreckenstein F42B 39/02
206/1.5
- D329,140 S * 9/1992 Maricle 224/235



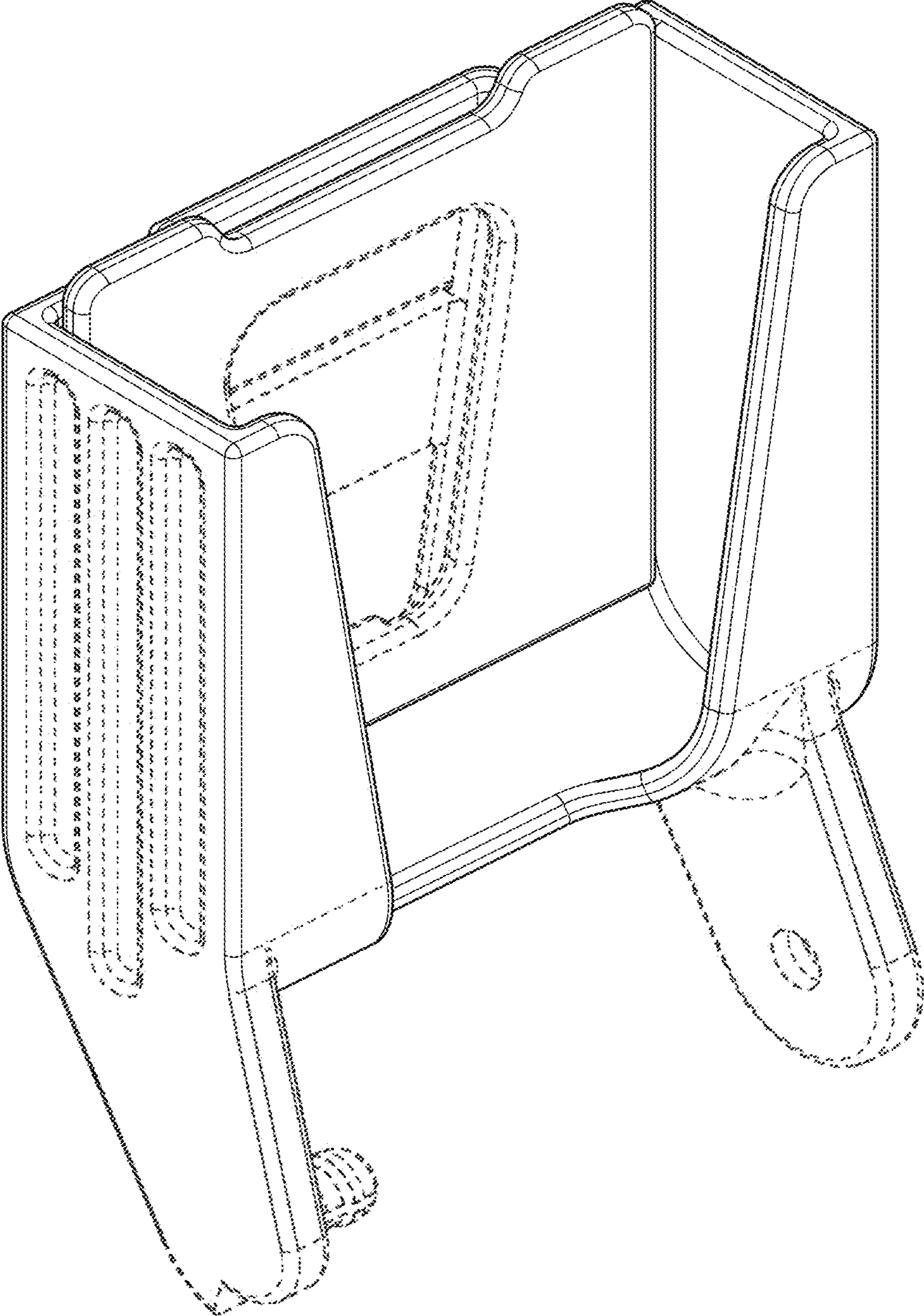


FIG. 1

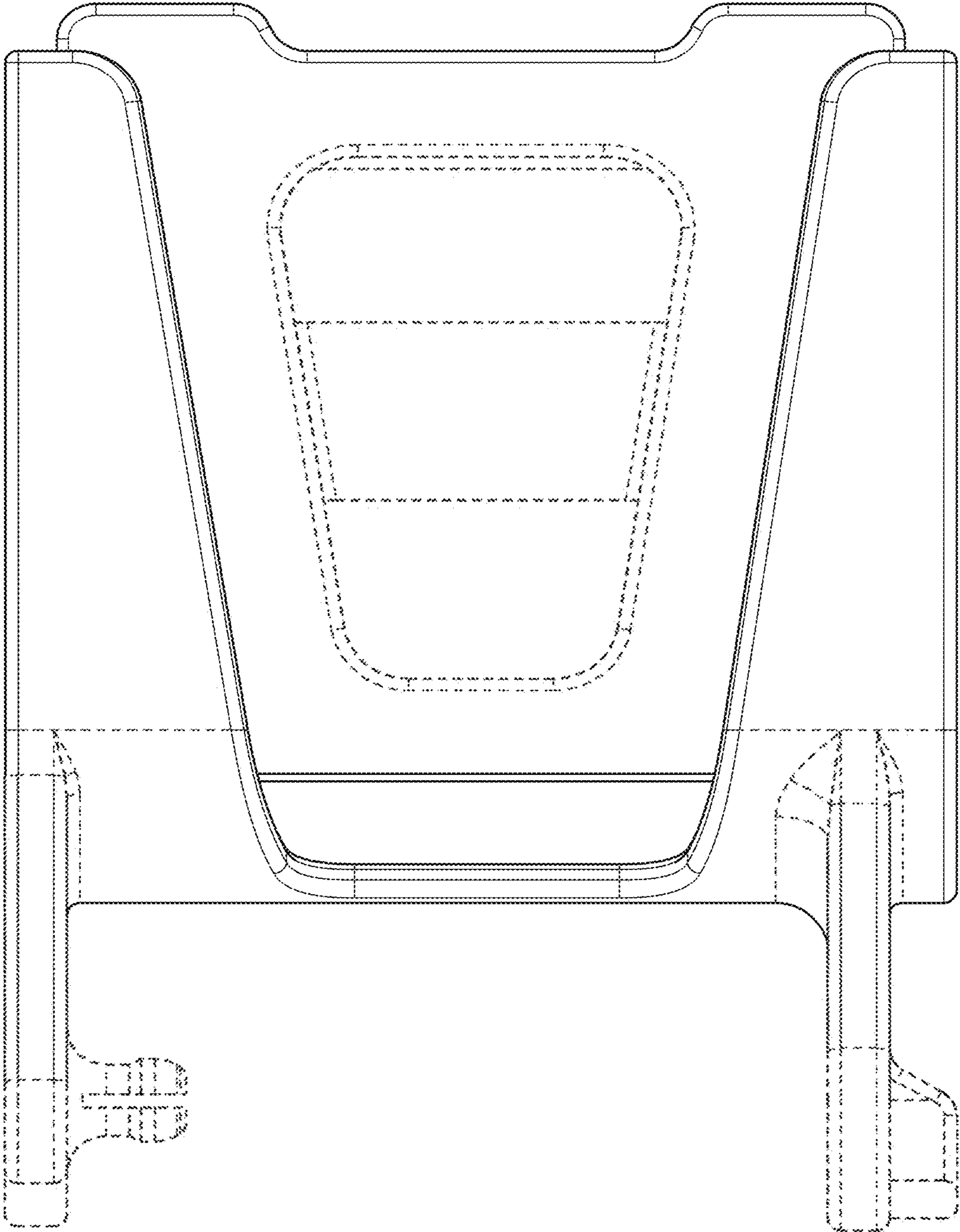


FIG. 2

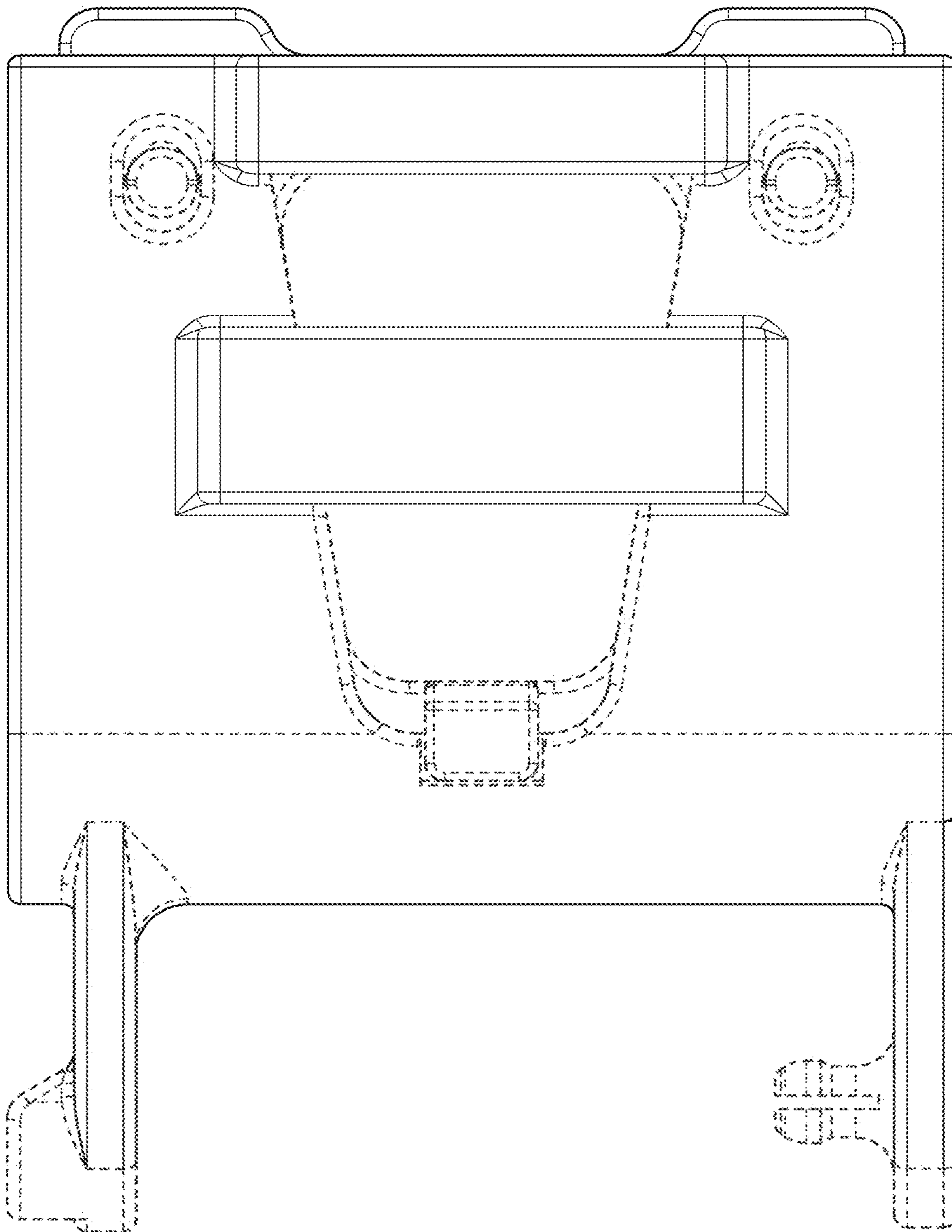


FIG. 3

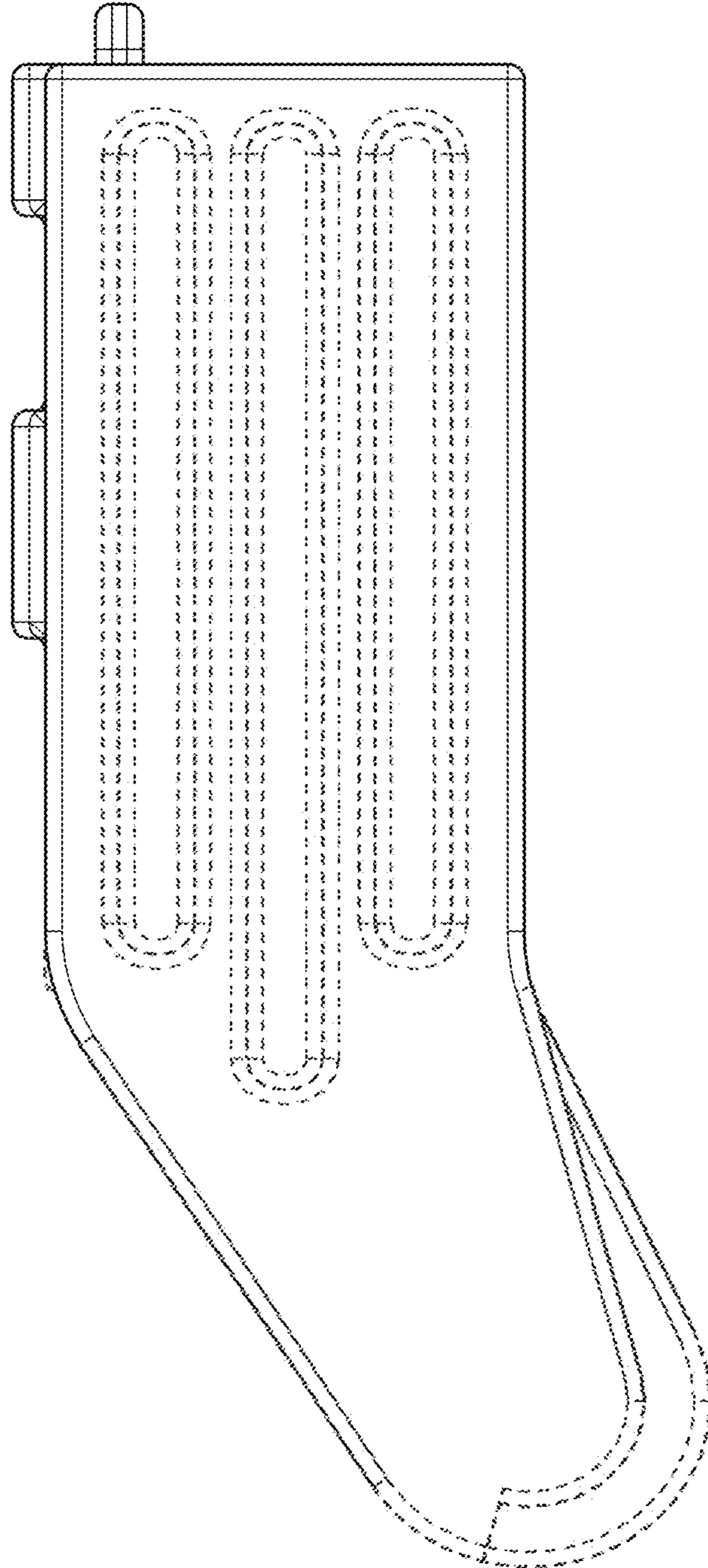


FIG. 4

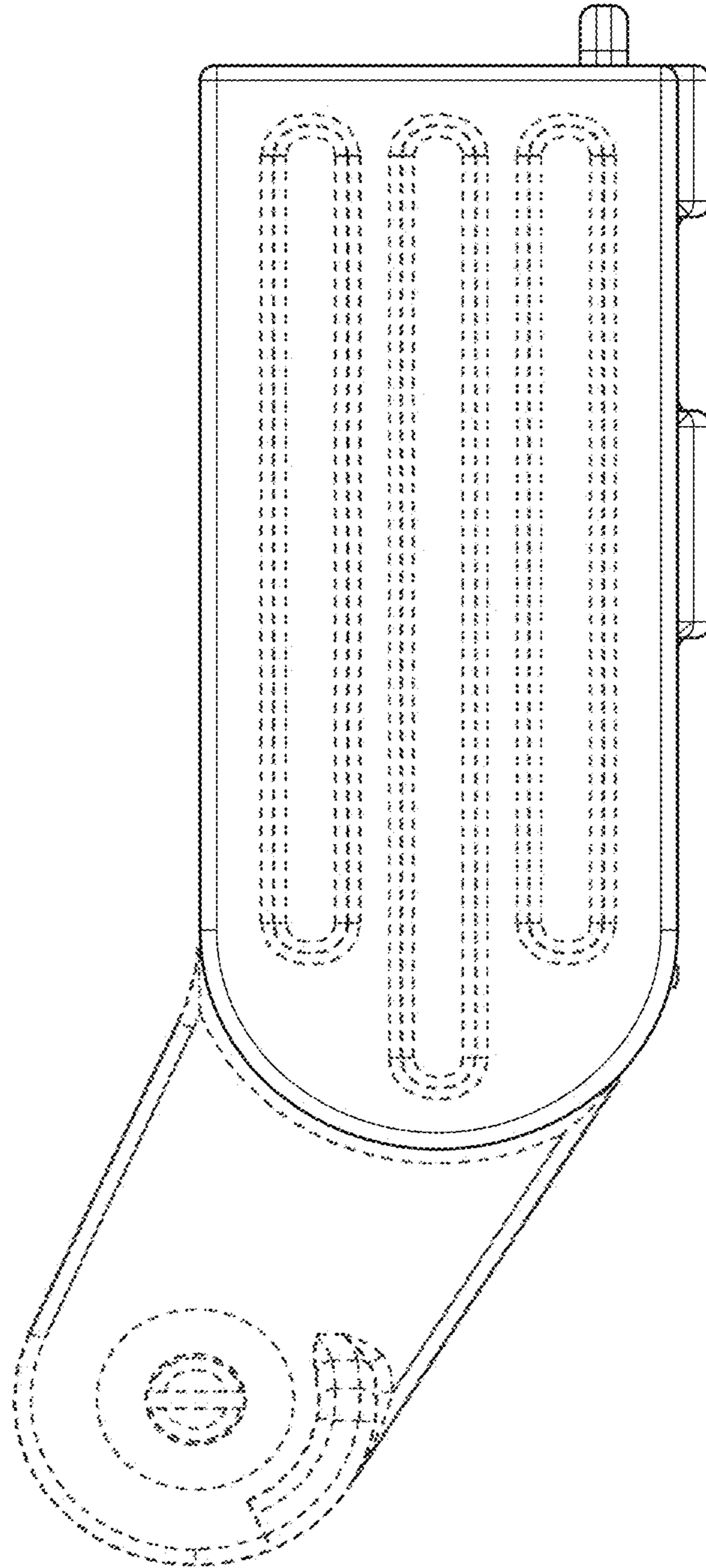


FIG. 5

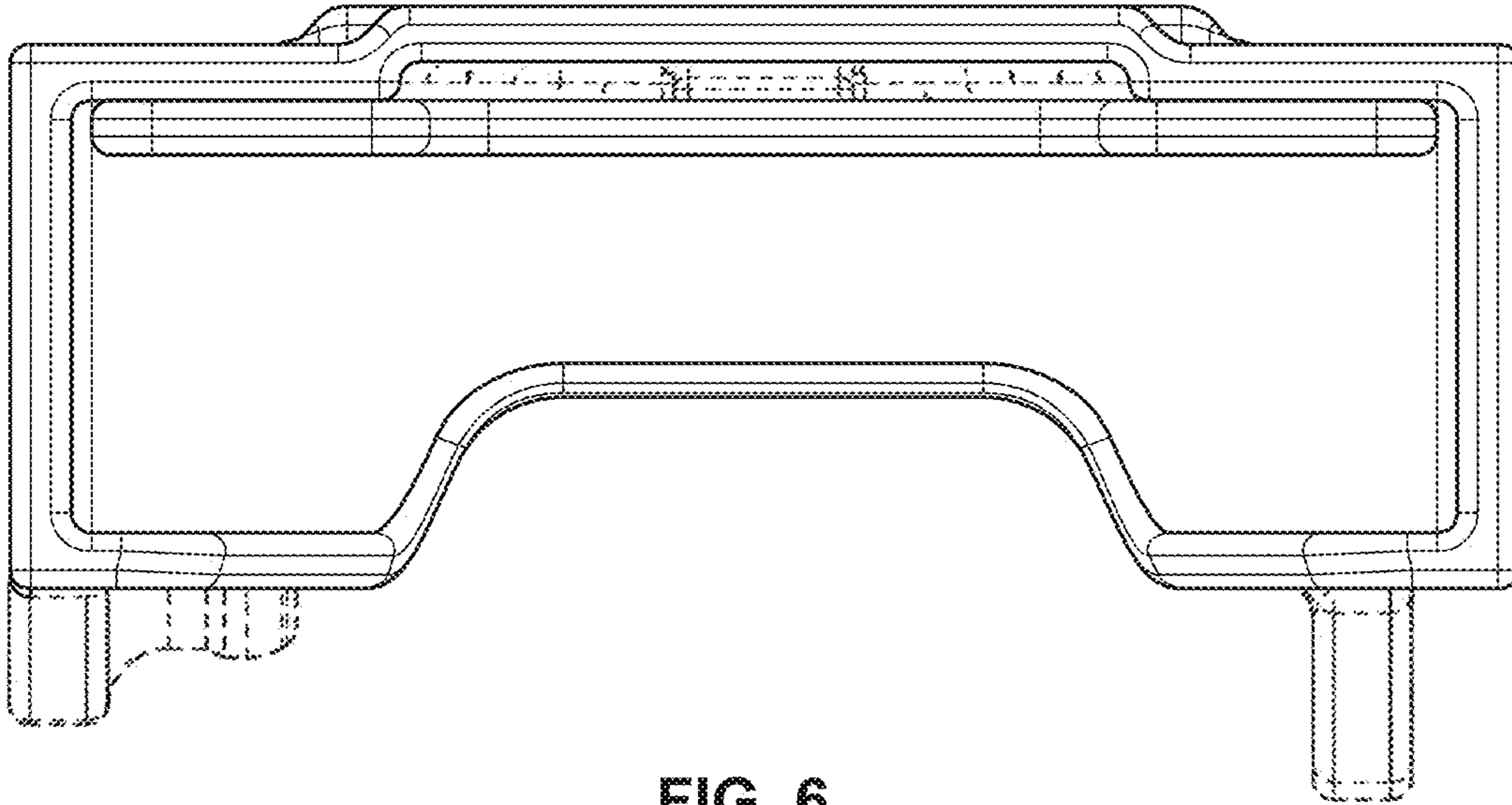


FIG. 6

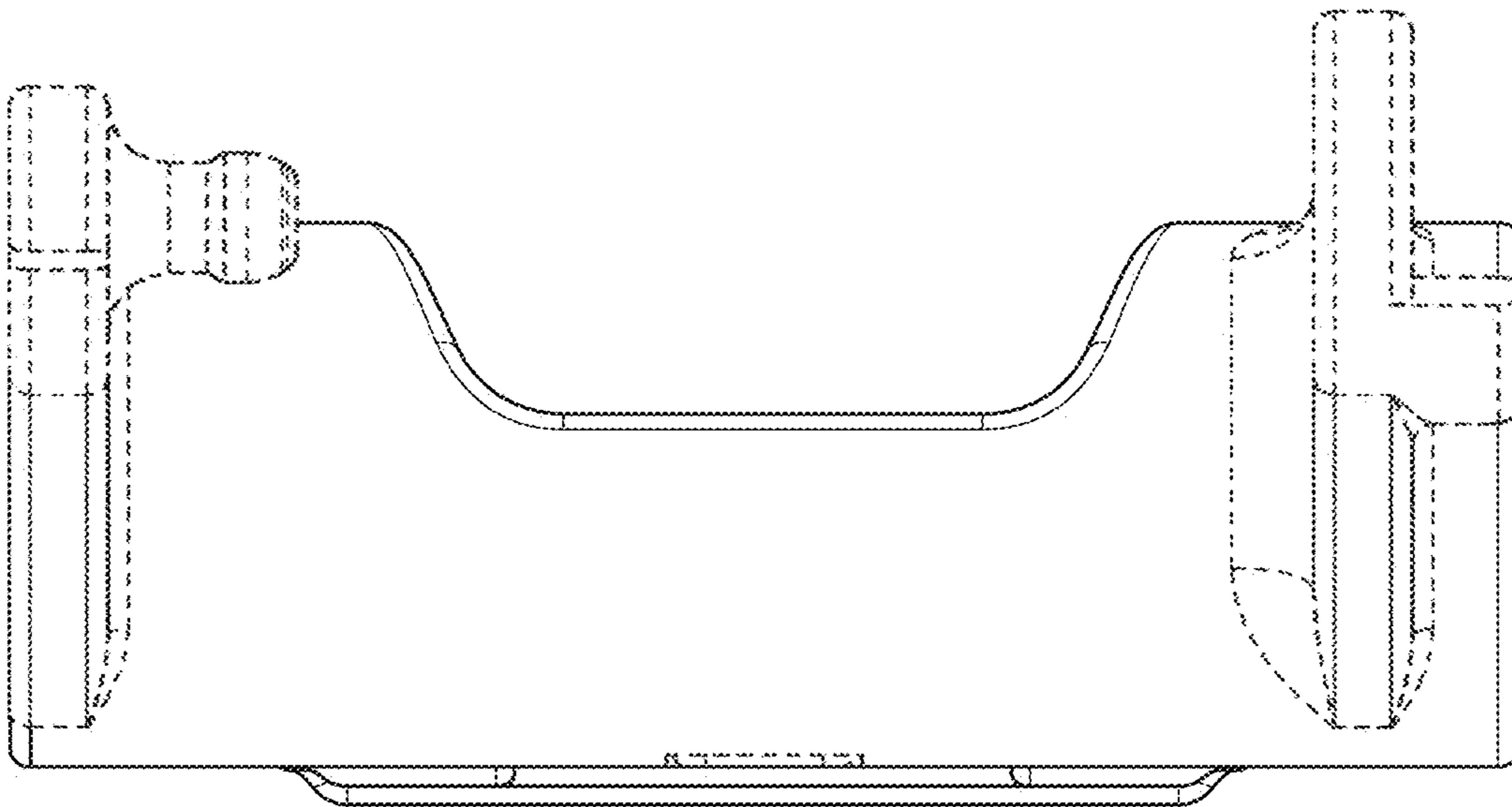


FIG. 7