



US00D893864S

(12) **United States Design Patent**  
**Xie**

(10) **Patent No.:** **US D893,864 S**

(45) **Date of Patent:** **\*\* Aug. 25, 2020**

(54) **INTERCHANGEABLE BAG WITH COVER**

(71) Applicant: **Wuchen Xie**, Tustin, CA (US)

(72) Inventor: **Wuchen Xie**, Tustin, CA (US)

(\*\*) Term: **15 Years**

(21) Appl. No.: **29/692,852**

(22) Filed: **May 29, 2019**

(51) **LOC (12) Cl.** ..... **03-01**

(52) **U.S. Cl.**  
USPC ..... **D3/233**

(58) **Field of Classification Search**  
USPC ..... D3/232–233, 240–243, 245–246  
CPC ..... A45C 1/024; A45C 3/06  
See application file for complete search history.

(56) **References Cited**

U.S. PATENT DOCUMENTS

D532,968 S \* 12/2006 Roth ..... D3/242  
D661,486 S \* 6/2012 VanderVeer ..... D3/233

\* cited by examiner

*Primary Examiner* — Holly H Baynham

(74) *Attorney, Agent, or Firm* — Gulick Law; Karima Gulick

(57) **CLAIM**

The ornamental design for an interchangeable bag with cover, as shown and described.

**DESCRIPTION**

A portion of the disclosure of this patent document contains material to which a claim for copyright trademark is made.

The copyright owner has no objection to the reproduction of the patent document or the patent disclosure, as it appears in the U.S. Patent Office records, but reserves all other copyright rights.

FIG. 1 is an exploded top perspective view of an interchangeable bag with cover in environmental conditions showing my new design;

FIG. 2 shows an exploded front view thereof;

FIG. 3 shows an exploded side view thereof;

FIG. 4 shows a top perspective view thereof;

FIG. 5 shows a front view thereof;

FIG. 6 shows a side view thereof;

FIG. 7 shows a top view thereof;

FIG. 8 shows a bottom view thereof;

FIG. 9 shows an exploded top perspective view of a second embodiment of an interchangeable bag with cover in environmental conditions showing my new design;

FIG. 10 shows an exploded front view thereof;

FIG. 11 shows an exploded side view thereof;

FIG. 12 shows a top perspective view thereof;

FIG. 13 shows a front view thereof;

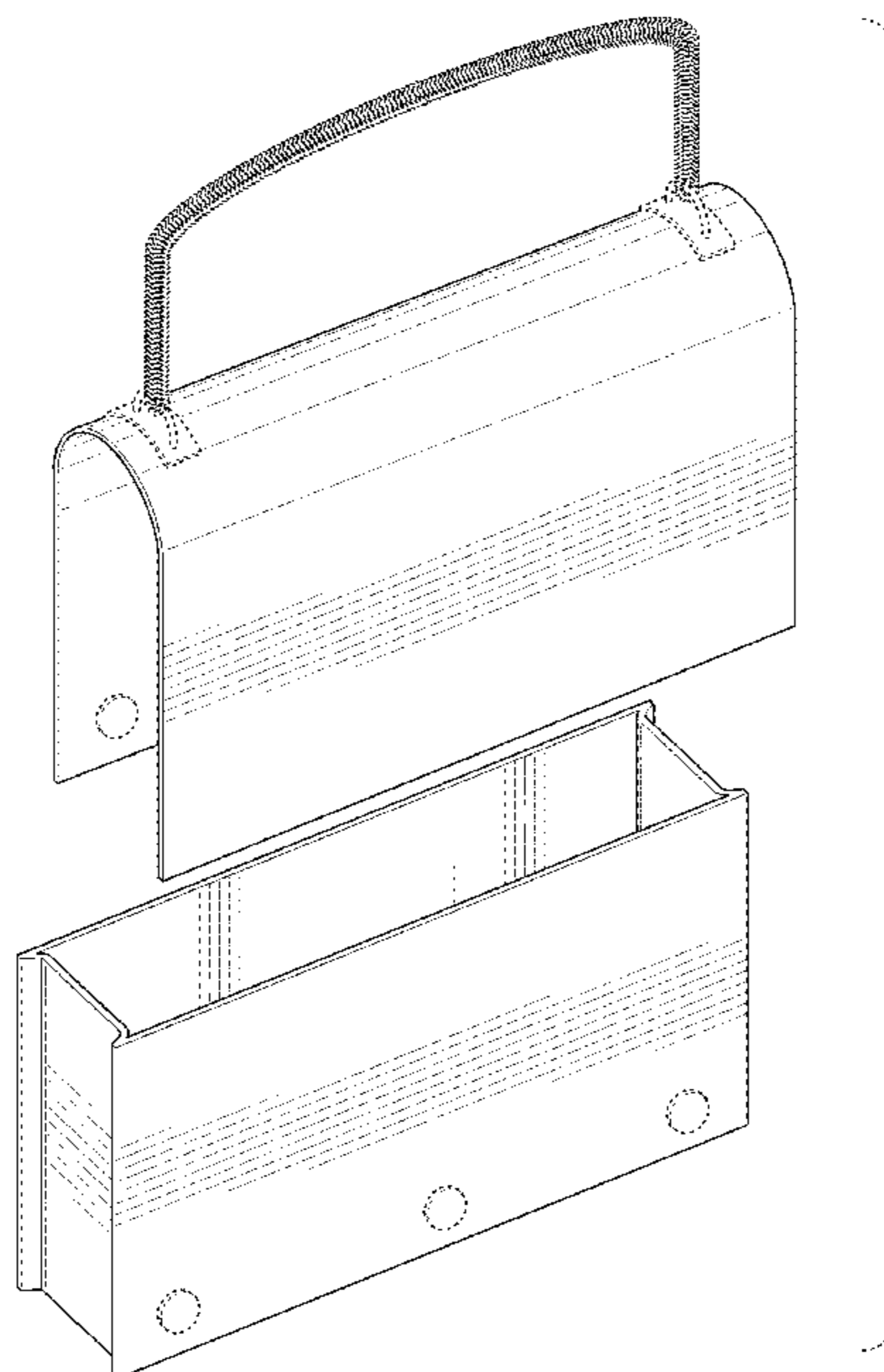
FIG. 14 shows a side view thereof;

FIG. 15 shows a top view thereof; and,

FIG. 16 shows a bottom view thereof.

The broken lines of the figures showing additional portions of the interchangeable bag with cover are included for the purpose of illustrating environmental structure and form no part of the claimed design.

**1 Claim, 13 Drawing Sheets**



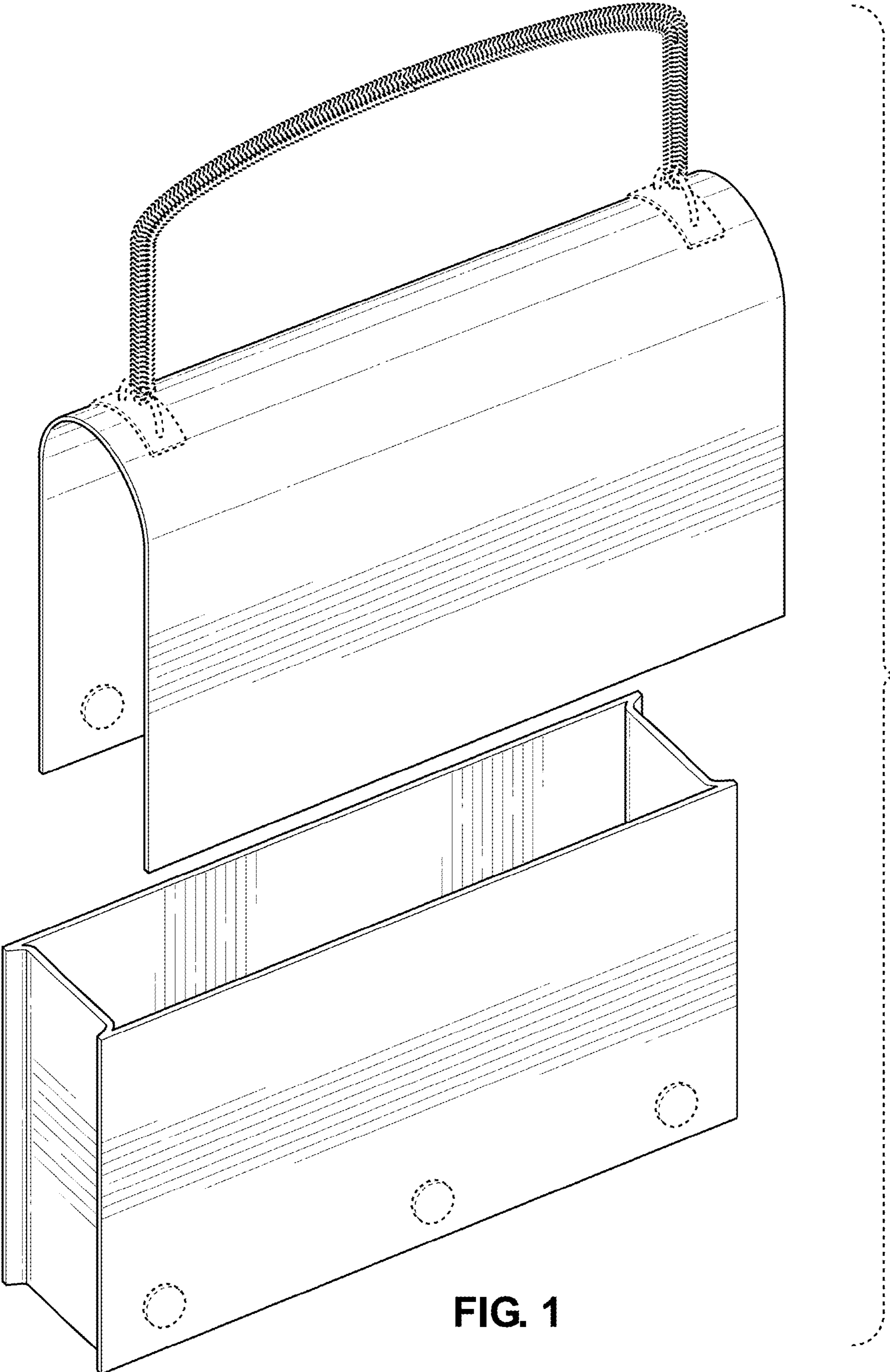


FIG. 1

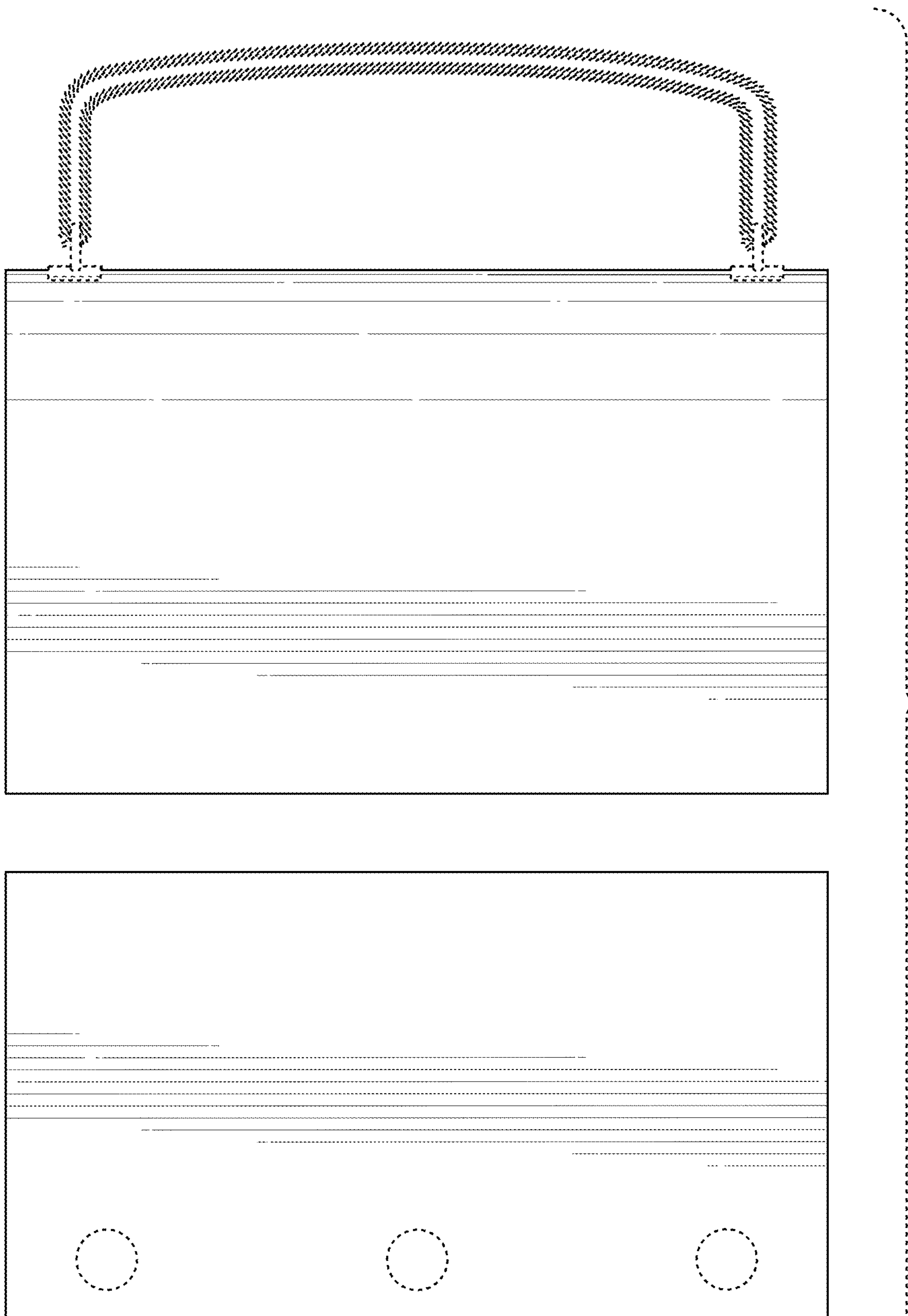
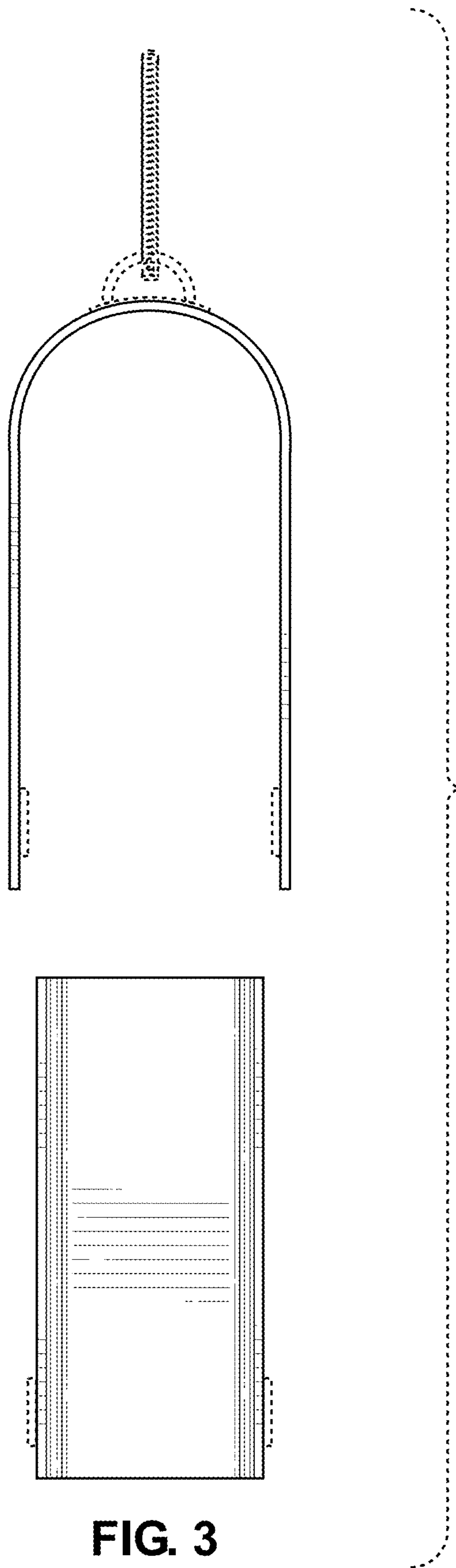


FIG. 2



**FIG. 3**

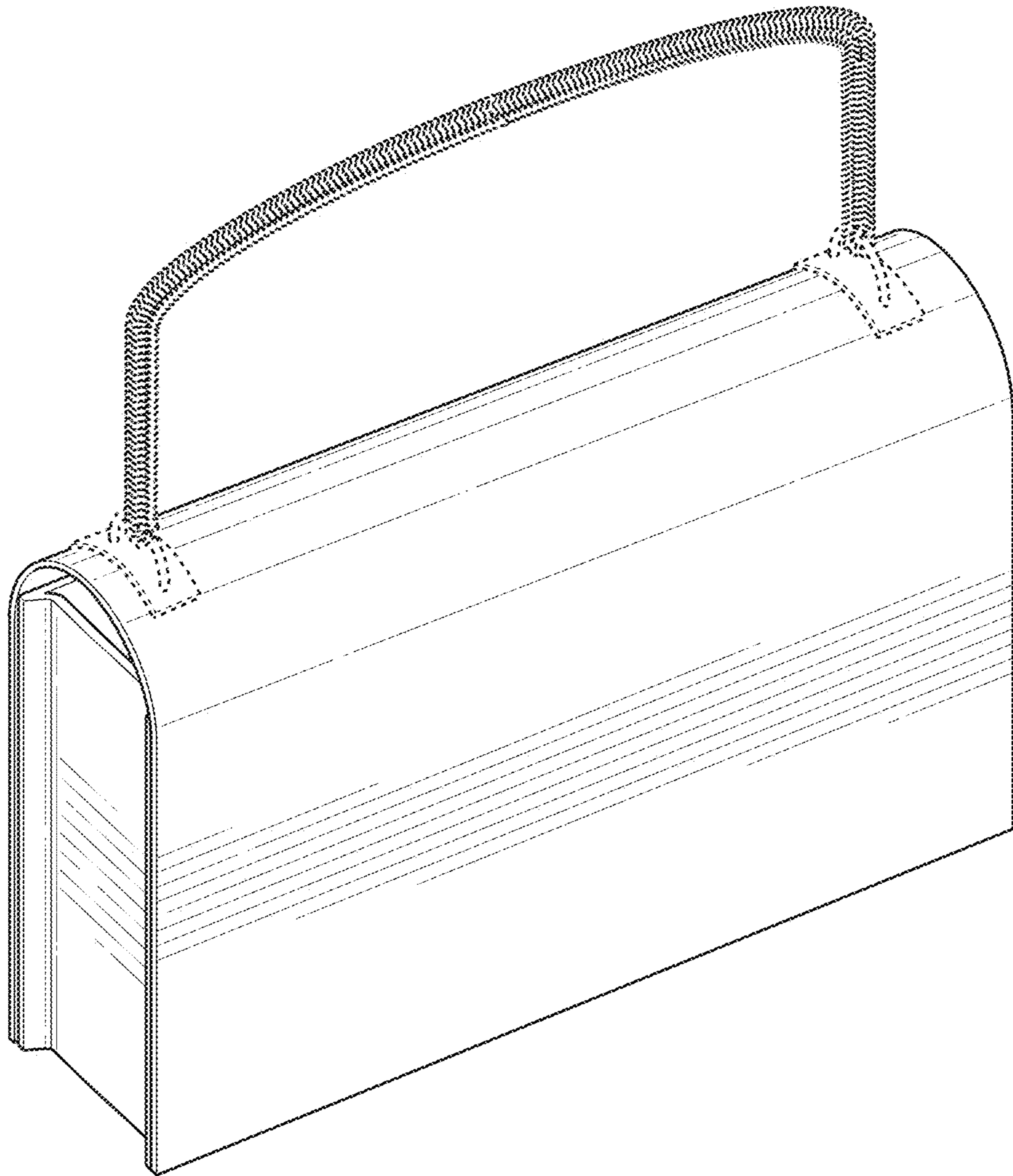


FIG. 4

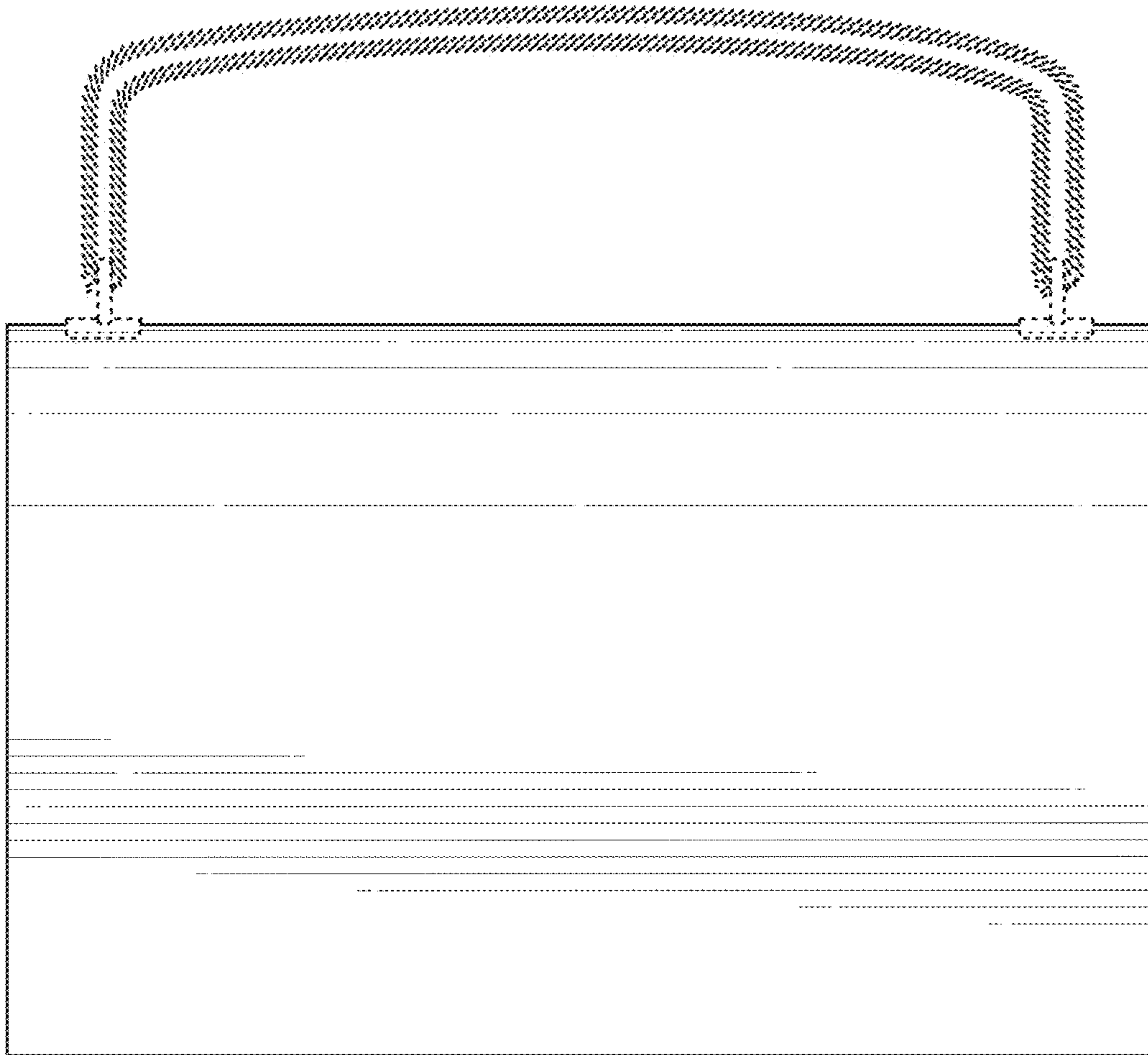


FIG. 5

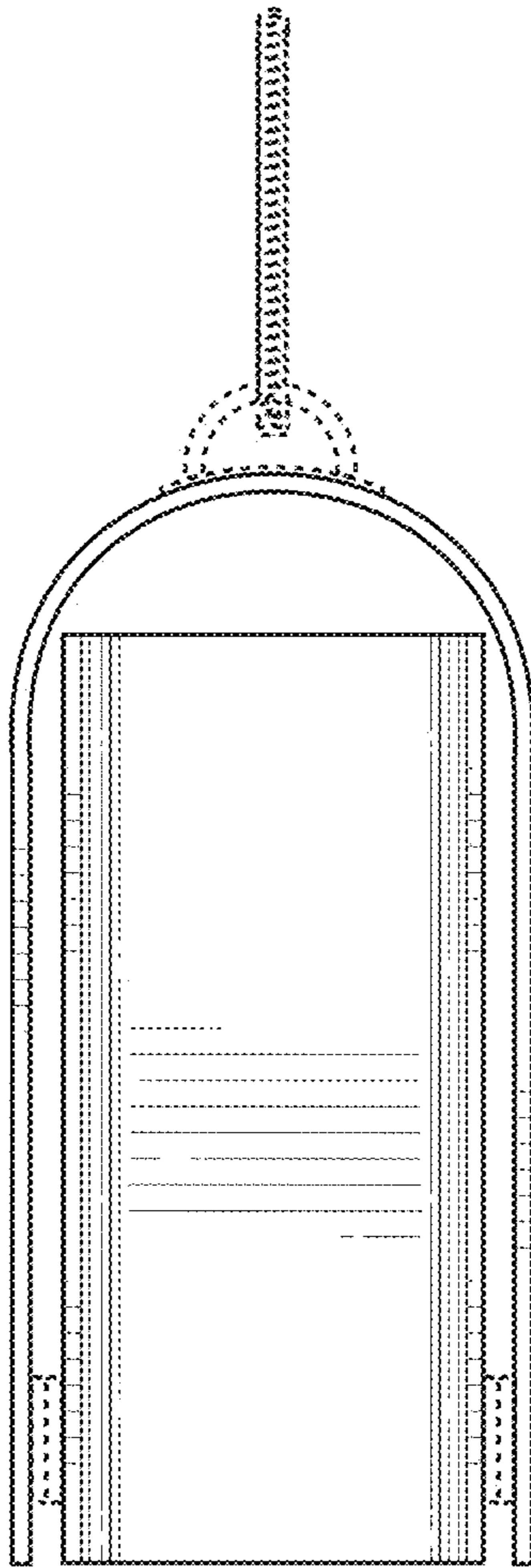


FIG. 6

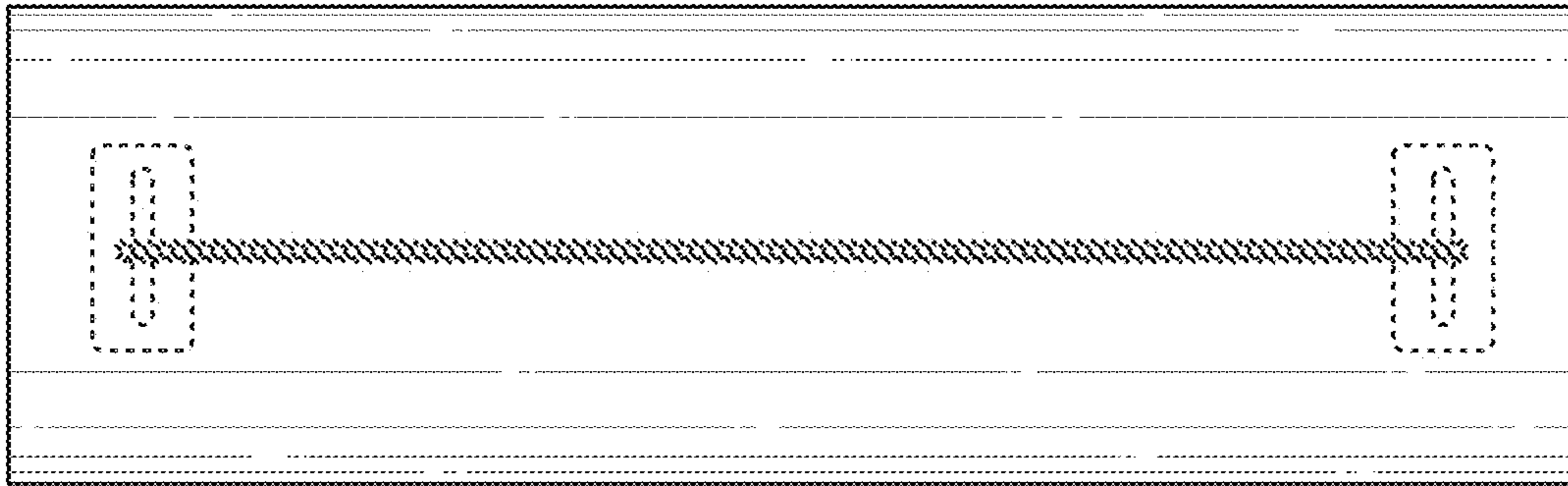


FIG. 7

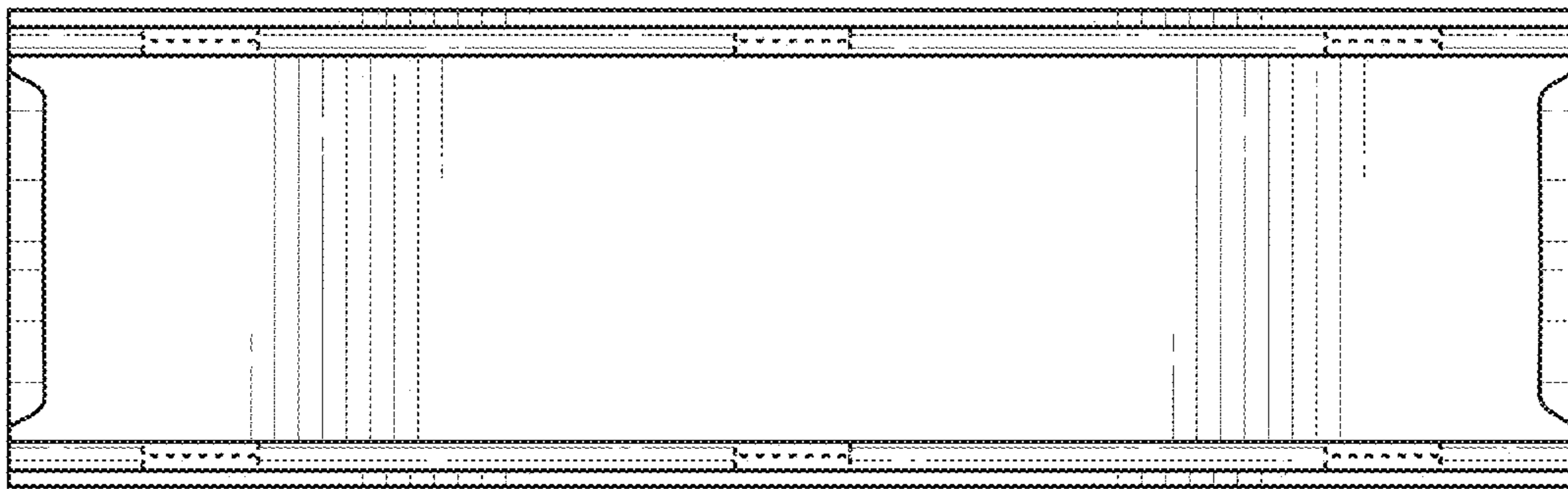


FIG. 8



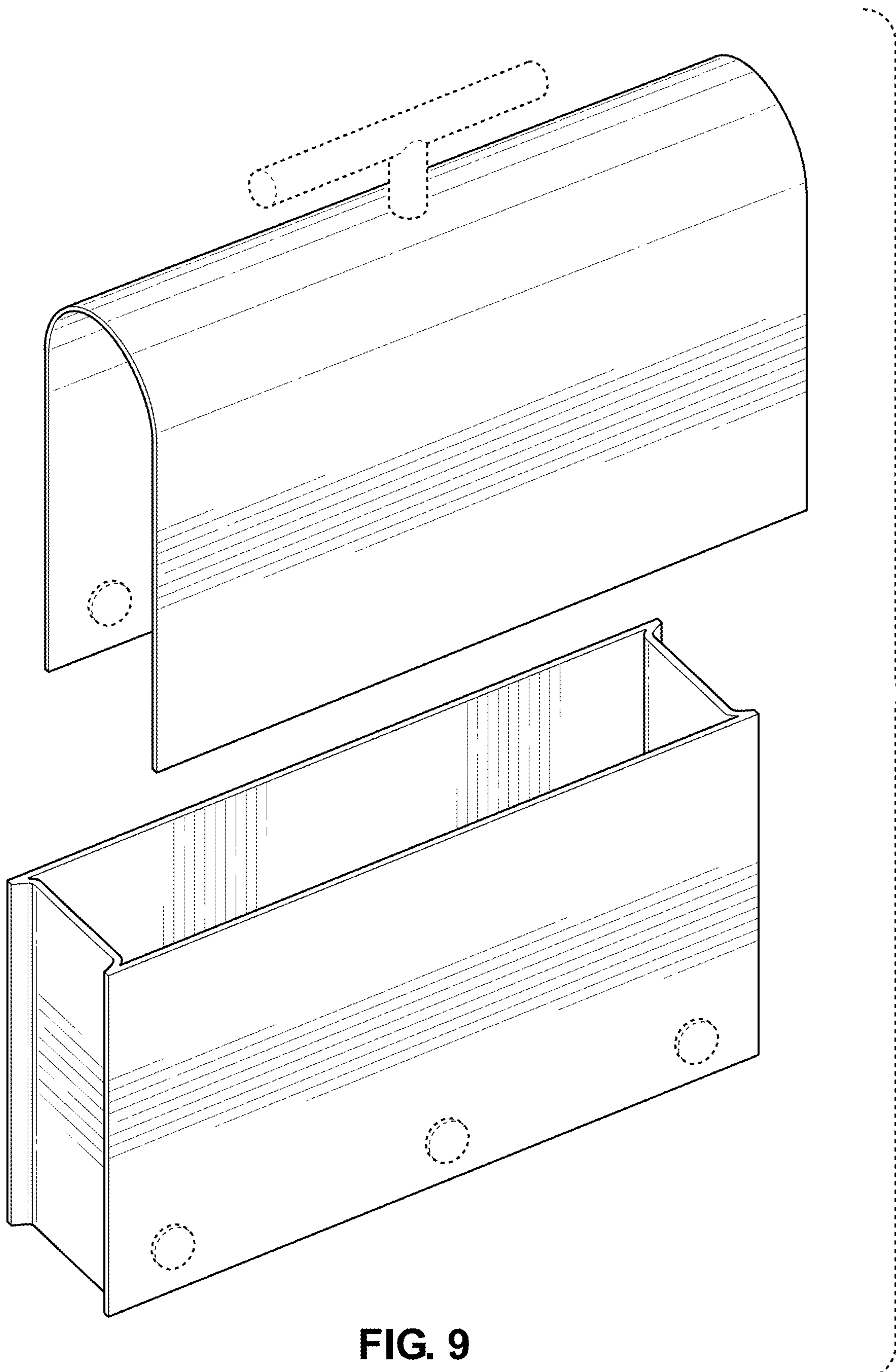


FIG. 9

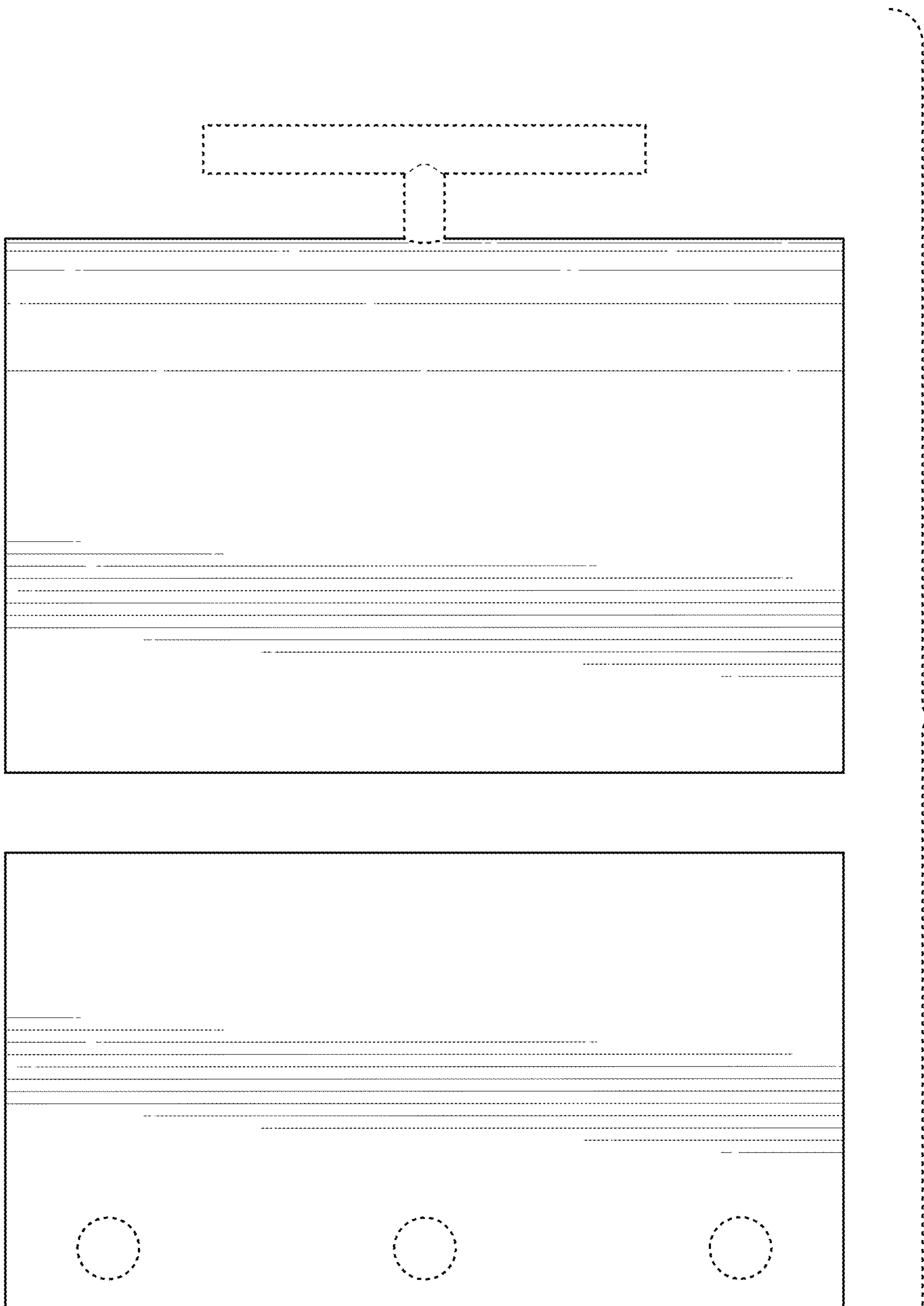


FIG. 10

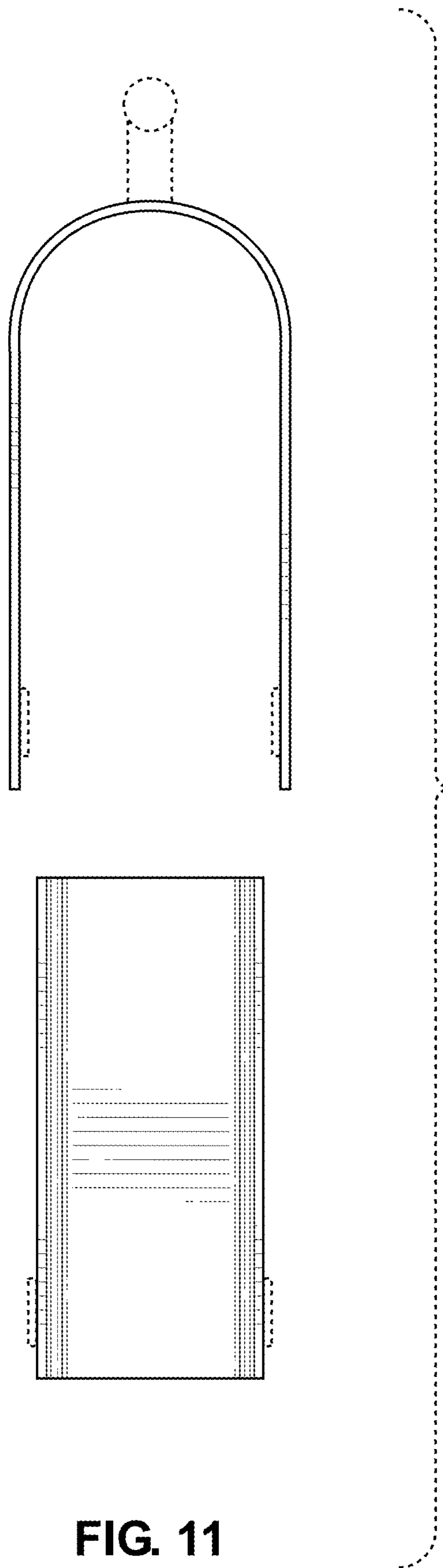


FIG. 11

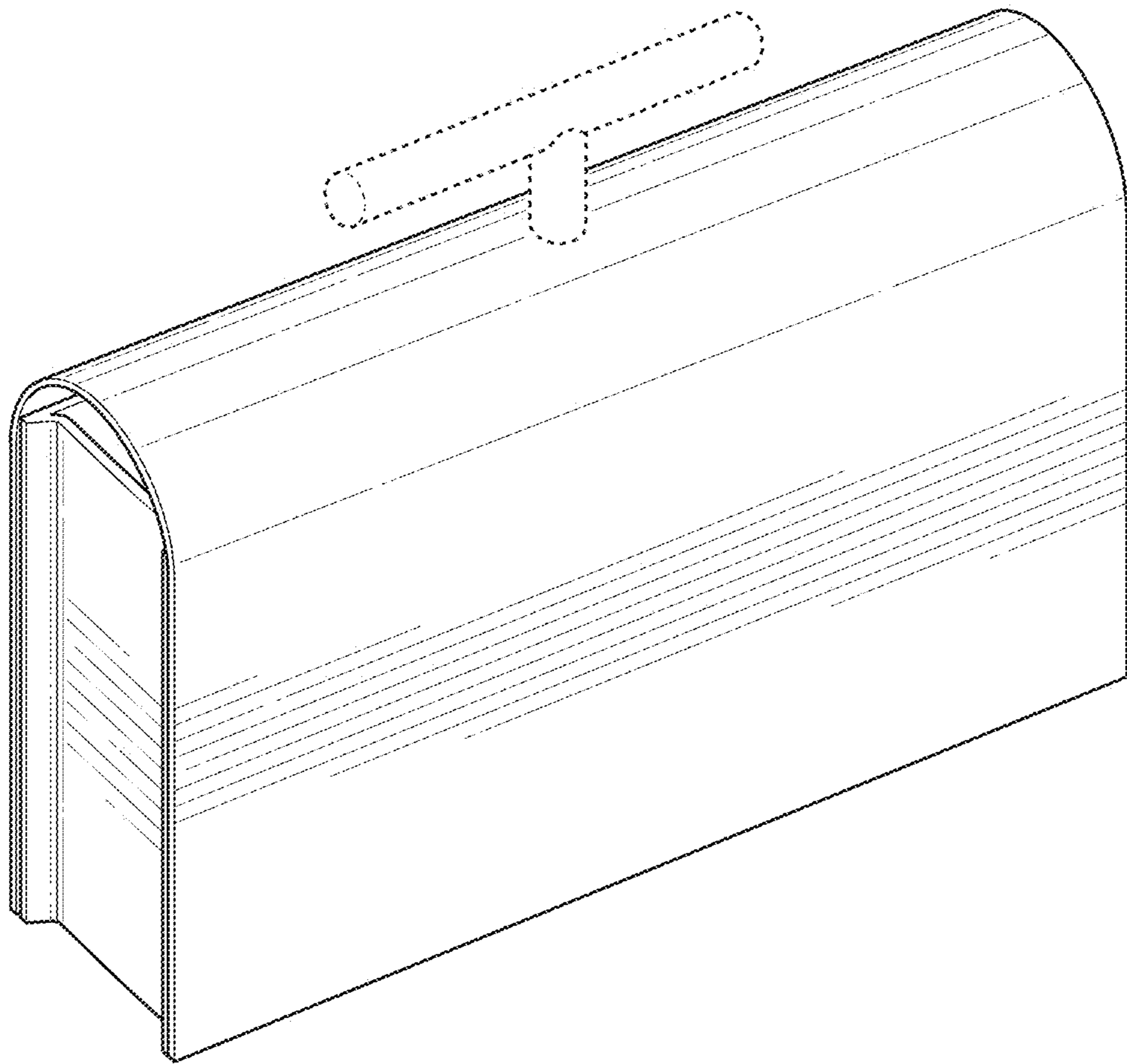


FIG. 12

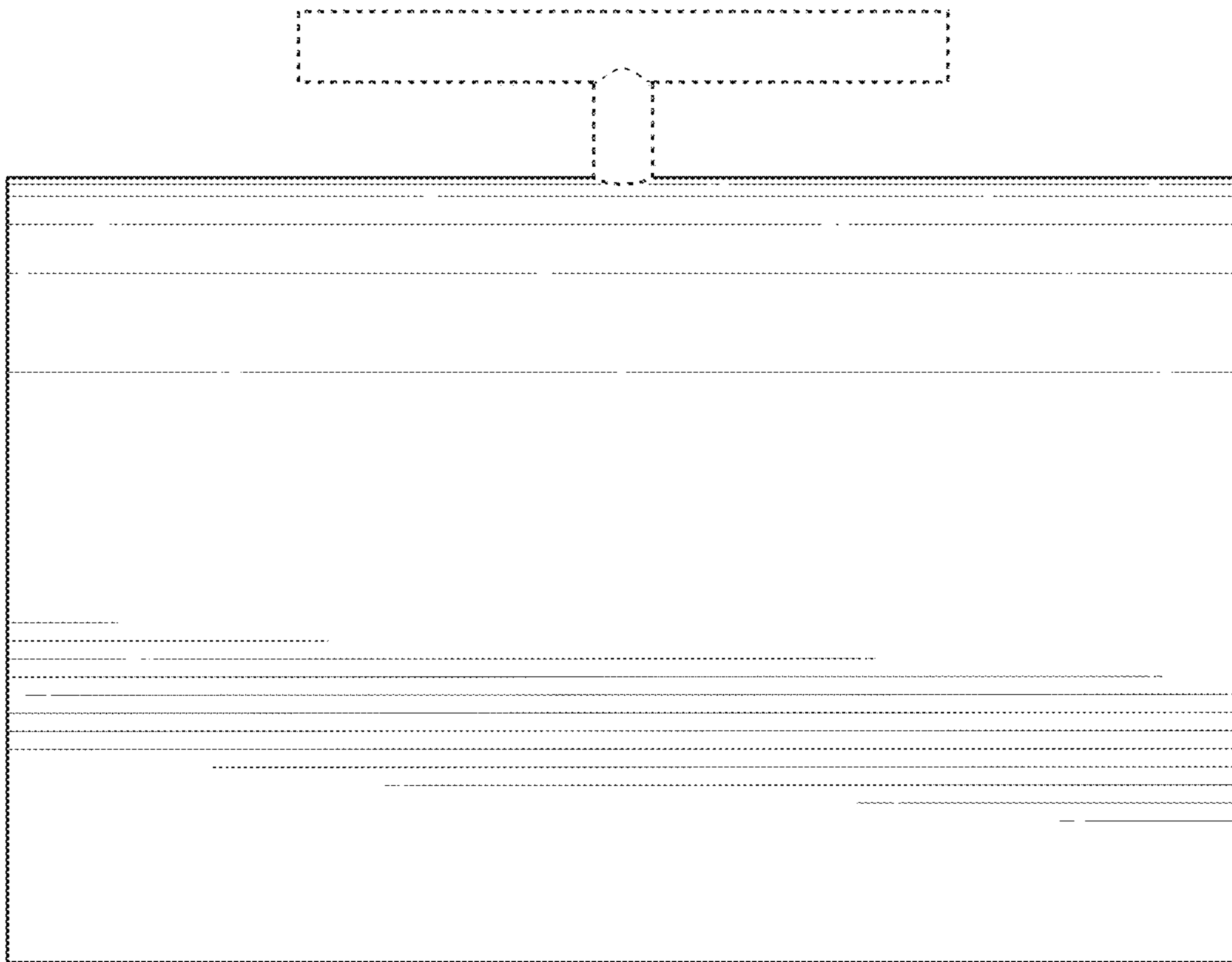


FIG. 13

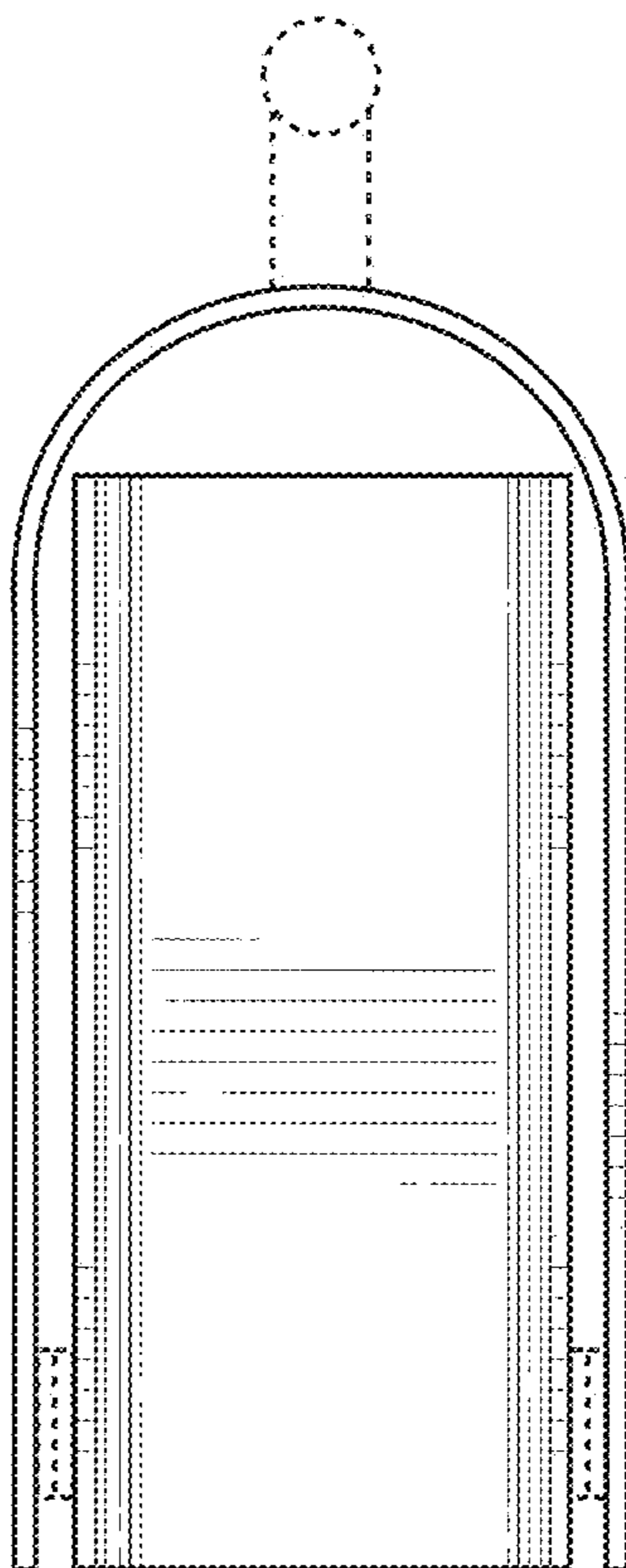


FIG. 14

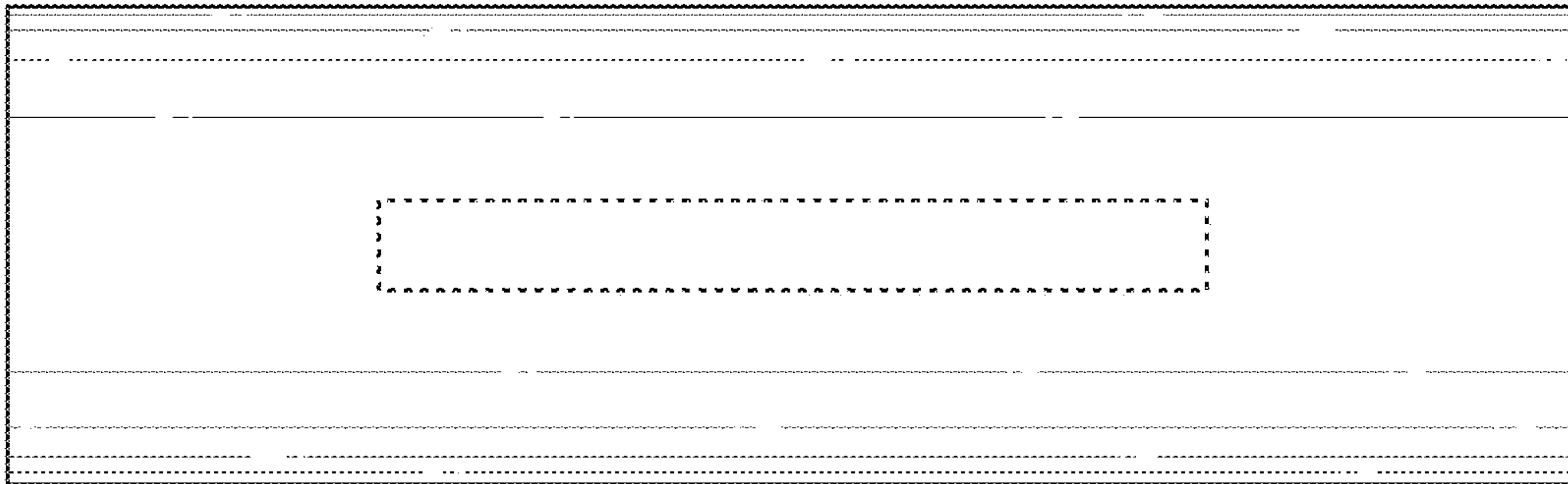


FIG. 15

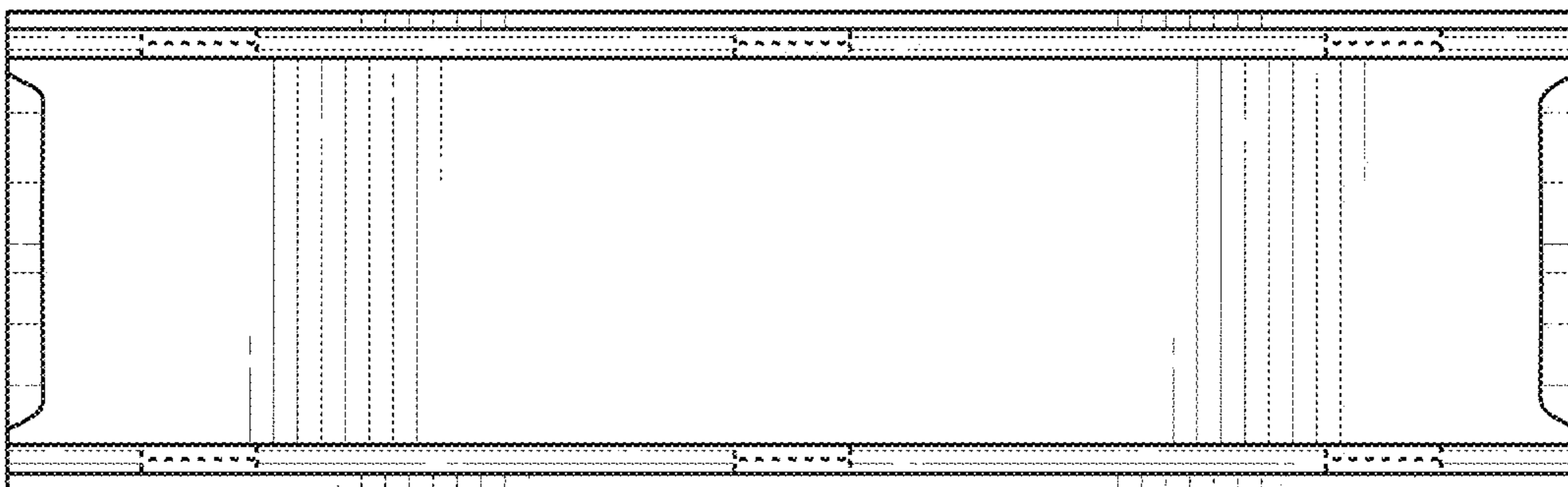


FIG. 16