



US00D893858S

(12) **United States Design Patent** (10) **Patent No.:** **US D893,858 S**
Xu (45) **Date of Patent:** **** Aug. 25, 2020**

(54) **PILL ORGANIZER**
(71) Applicant: **SHENZHEN LAIYING TECHNOLOGY CO., LTD.**, Shenzhen (CN)
(72) Inventor: **Shao-Xi Xu**, Shenzhen (CN)
(73) Assignee: **SHENZHEN LAIYING TECHNOLOGY CO., LTD.**, Shenzhen (CN)
(**) Term: **15 Years**
(21) Appl. No.: **29/684,056**
(22) Filed: **Mar. 18, 2019**
(51) **LOC (12) Cl.** **03-01**
(52) **U.S. Cl.**
USPC **D3/203.1**
(58) **Field of Classification Search**
USPC D3/201, 203.1–203.8; D9/420, 421, 756, D9/422
CPC B65D 83/0481; B65D 83/04; B65D 1/36; B65D 83/0445; B65D 2583/04; A61J 1/00; A61J 1/03; A61J 7/04
See application file for complete search history.

6,223,921 B1 * 5/2001 Huang A45C 11/24 132/295
D474,021 S * 5/2003 Lenaerts D3/273
6,619,297 B2 * 9/2003 Sheng A45D 33/20 132/295
D524,037 S * 7/2006 Van Horn D3/203.1
D541,049 S * 4/2007 Huang D28/63
(Continued)

OTHER PUBLICATIONS

Zannaki Pill Organizer, pill cases, medication aids, healthcare, amazon.com, searched 03/05/220, customer review date of Jan. 11, 2019, https://www.amazon.com/Zannaki-Organizer-Waterproof-Supplements-Medication/dp/B07H24X9CD/ref=asc_df_B07H24X9CD/?tag=hyprod-20&linkCode=df0&hvadid=309802573355&hvpos=&hvnetw=g&hvra.*

Primary Examiner — Steven J Czyz
(74) *Attorney, Agent, or Firm* — ScienBiziP, P.C.

(57) **CLAIM**

The ornamental design for a pill organizer, as shown and described.

DESCRIPTION

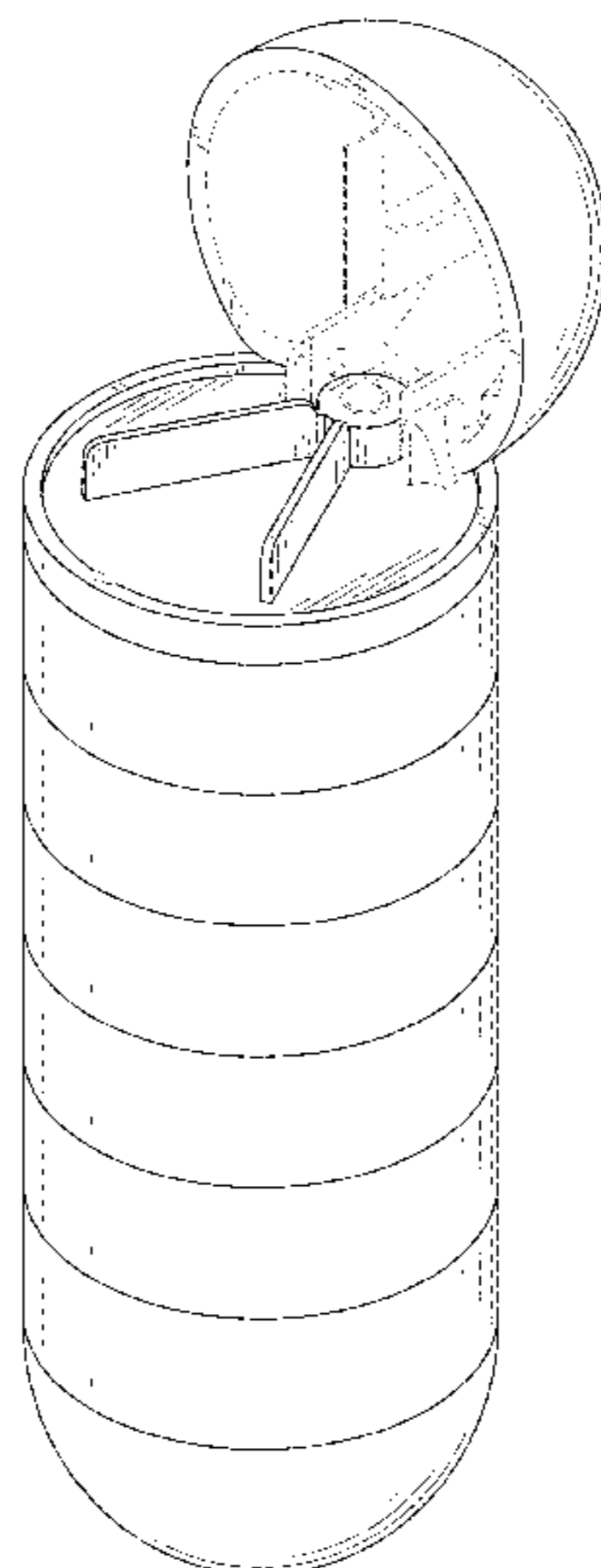
FIG. 1 is a first perspective view of a pill organizer, showing my design.
FIG. 2 is a second perspective view thereof.
FIG. 3 is a front elevation view thereof.
FIG. 4 is a rear elevation view thereof.
FIG. 5 is a left side elevation view thereof.
FIG. 6 is a right side elevation view thereof.
FIG. 7 is a top plan view thereof.
FIG. 8 is a bottom plan view thereof.
FIG. 9 is a perspective view of the pill organizer showing the status when the lid is closed; and,
FIG. 10 is a perspective view of the pill organizer showing the status when each grid of the pill organizer is open.
The broken lines depict portions of the article that form no part of the claimed design.

1 Claim, 10 Drawing Sheets

(56) **References Cited**

U.S. PATENT DOCUMENTS

3,188,157 A * 6/1965 Rand A47B 87/0292 312/202
D225,513 S * 12/1972 Waag et al. D3/284
4,239,308 A * 12/1980 Bradley A45C 11/16 312/201
4,807,773 A * 2/1989 Tsai A45D 33/24 132/296
D349,238 S * 8/1994 Haber D24/226
5,370,255 A * 12/1994 Yang A45C 7/00 220/4.22
D358,030 S * 5/1995 Ying D3/284
6,041,935 A * 3/2000 Yang A45C 11/00 206/509



(56)

References Cited

U.S. PATENT DOCUMENTS

D558,451	S	*	1/2008	Roesler	D3/282
D639,696	S	*	6/2011	Smith	D11/1
D658,362	S	*	5/2012	Nassiri	D3/203.2
D667,176	S	*	9/2012	Crane	D24/104
D708,434	S	*	7/2014	Deeb	D3/203.3
D725,490	S	*	3/2015	Grosso	D9/726
9,016,500	B1	*	4/2015	Rossi	B65D 51/24 215/228
D728,860	S	*	5/2015	Blanch	D28/82
D741,018	S	*	10/2015	Tsai	D28/78
9,289,042	B2	*	3/2016	Bellas	A45C 11/008
D778,173	S	*	2/2017	Pisarevsky	D3/203.3
D780,600	S	*	3/2017	Stuart	D3/302
D821,738	S	*	7/2018	Small	D3/203.2
D833,746	S	*	11/2018	Steele	D3/295
D839,095	S	*	1/2019	Fux	D9/503
D845,612	S	*	4/2019	Amitai	D3/203.1
D850,781	S	*	6/2019	Danopoulos	D3/203.1
D851,455	S	*	6/2019	Lee	D7/507
D868,466	S	*	12/2019	Steele	D3/295

* cited by examiner

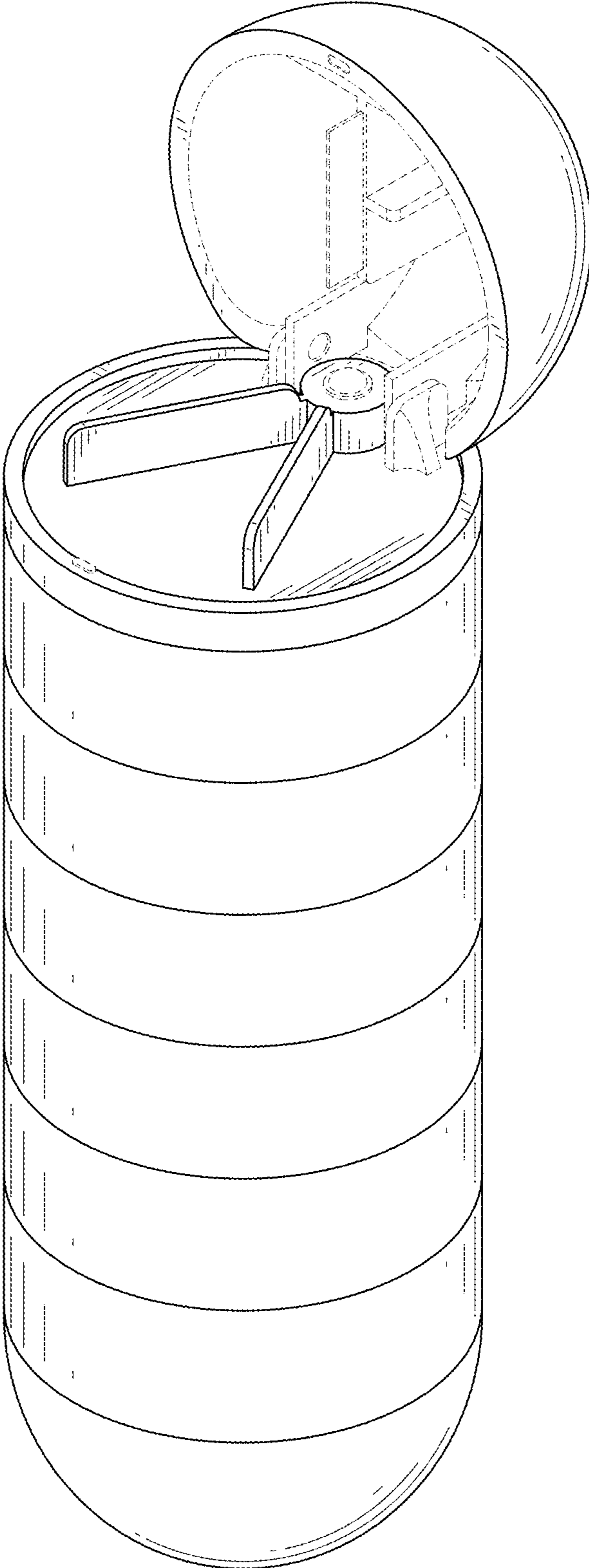


FIG. 1

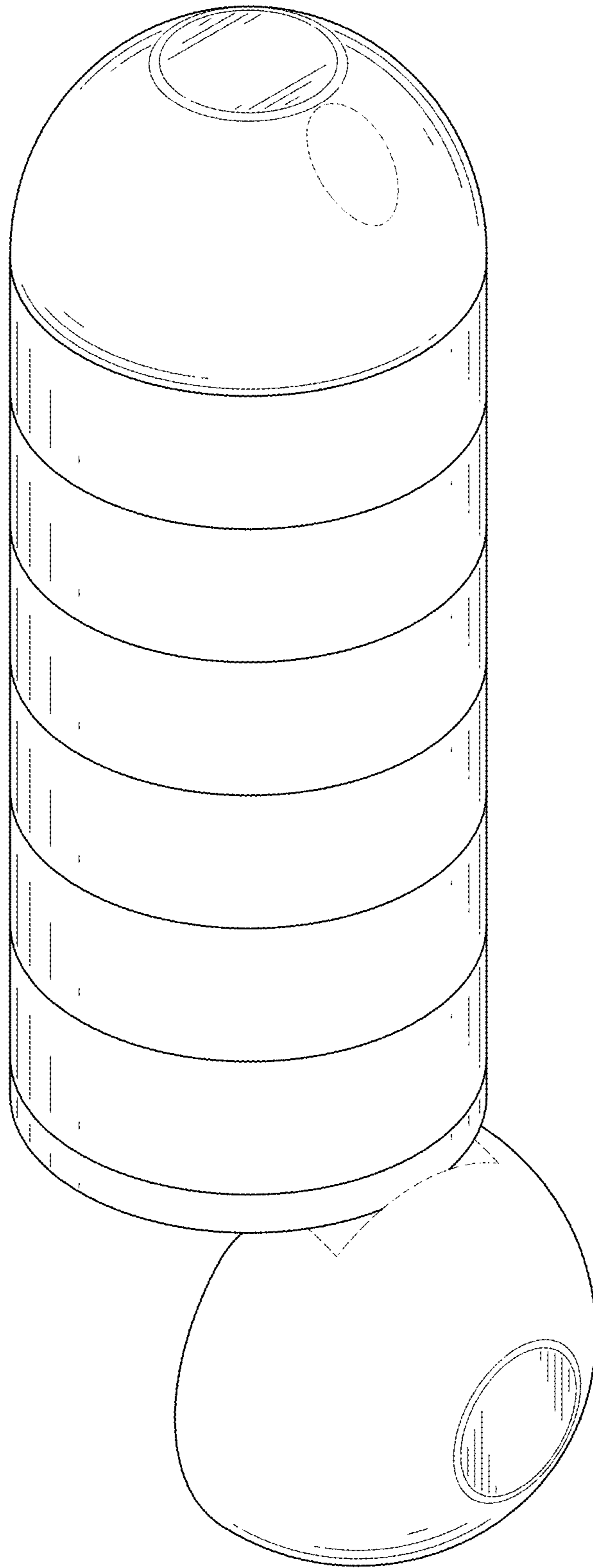


FIG. 2

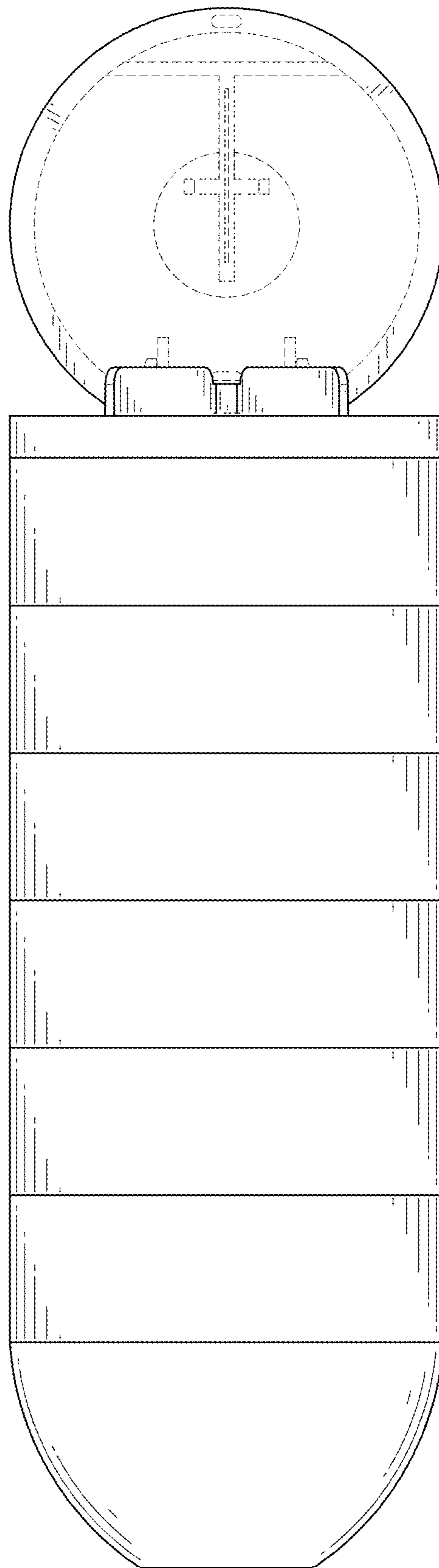


FIG. 3

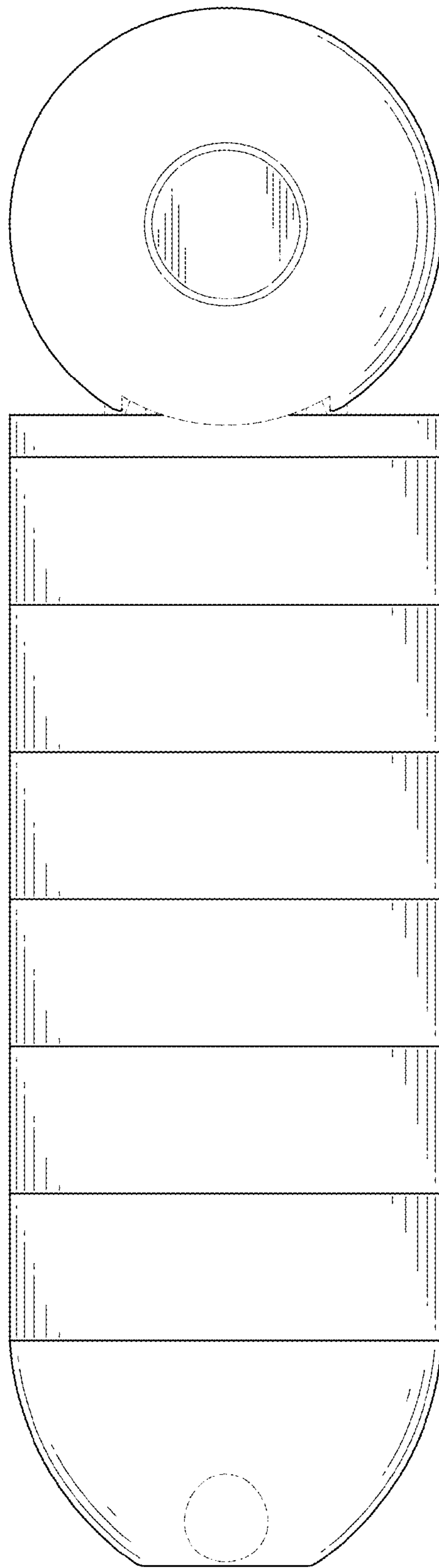


FIG. 4

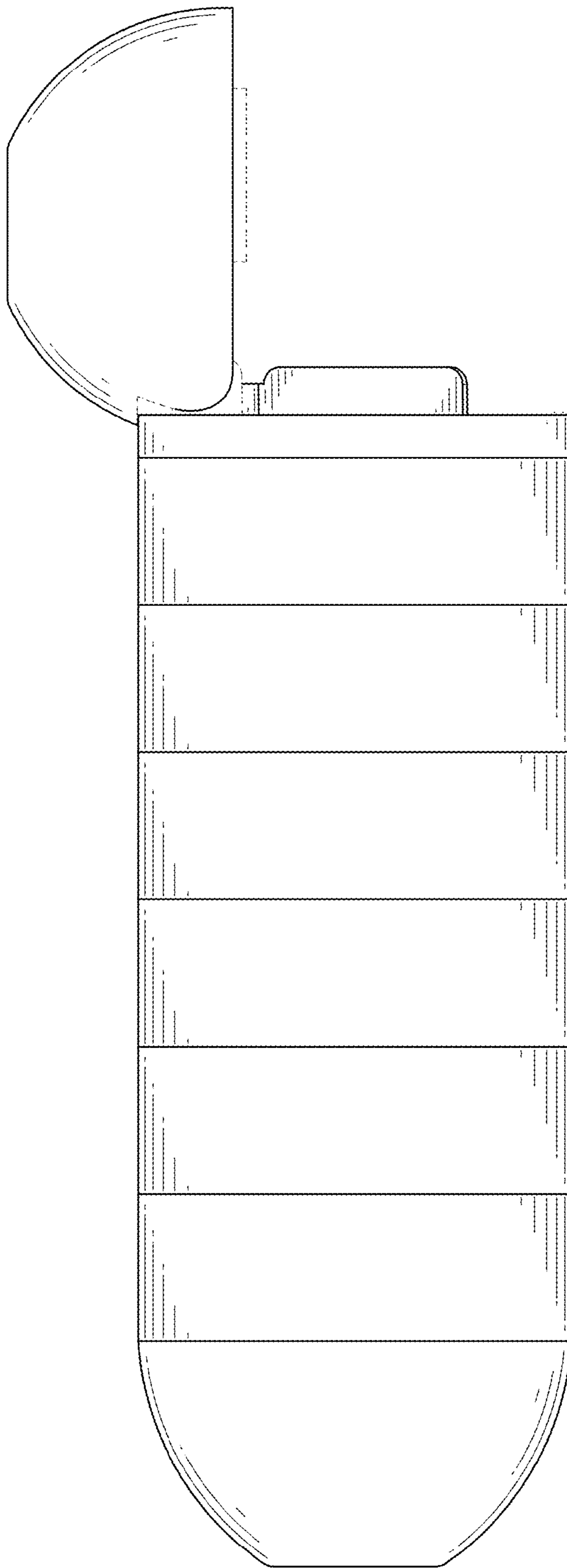


FIG. 5

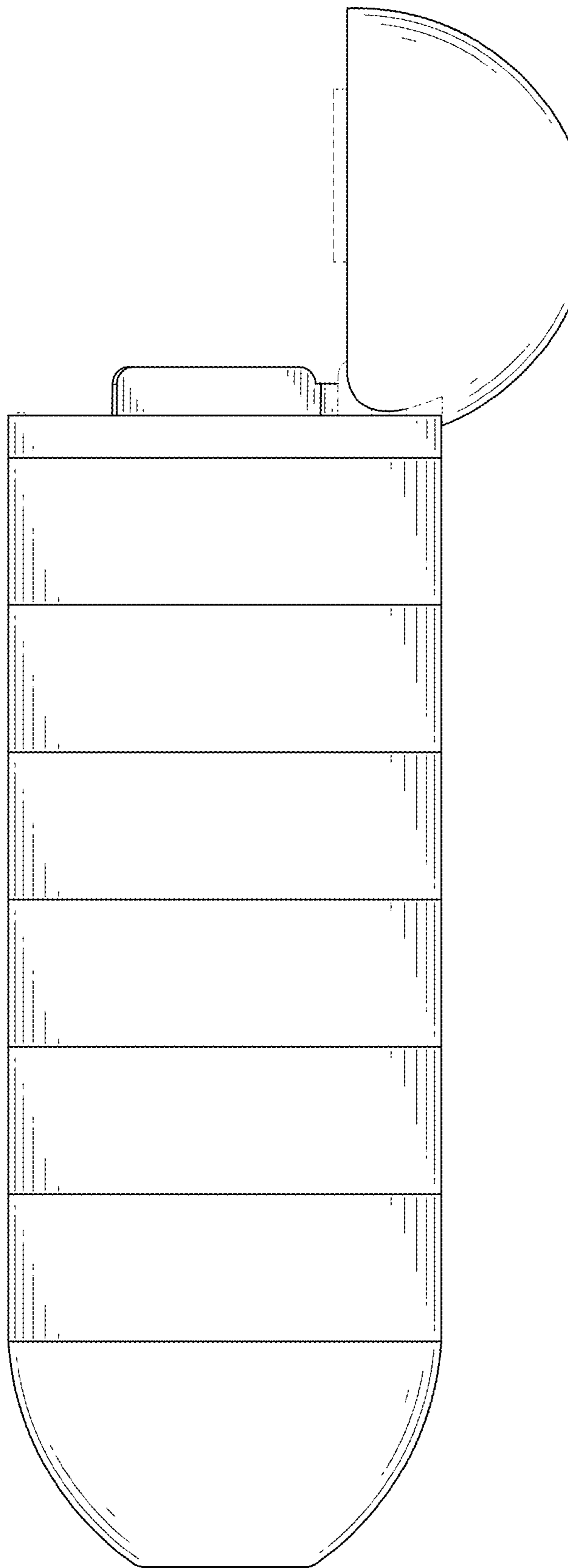


FIG. 6

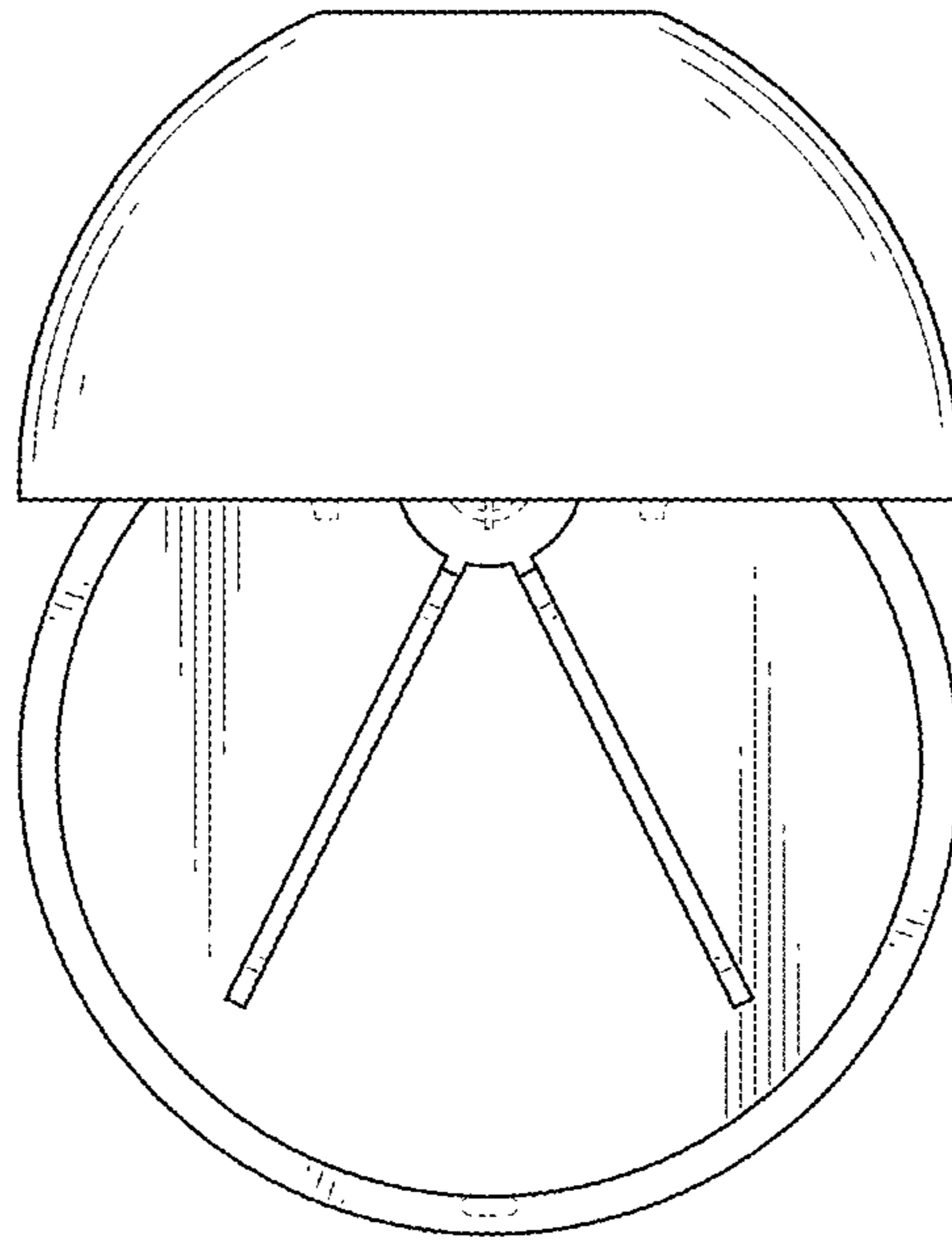


FIG. 7

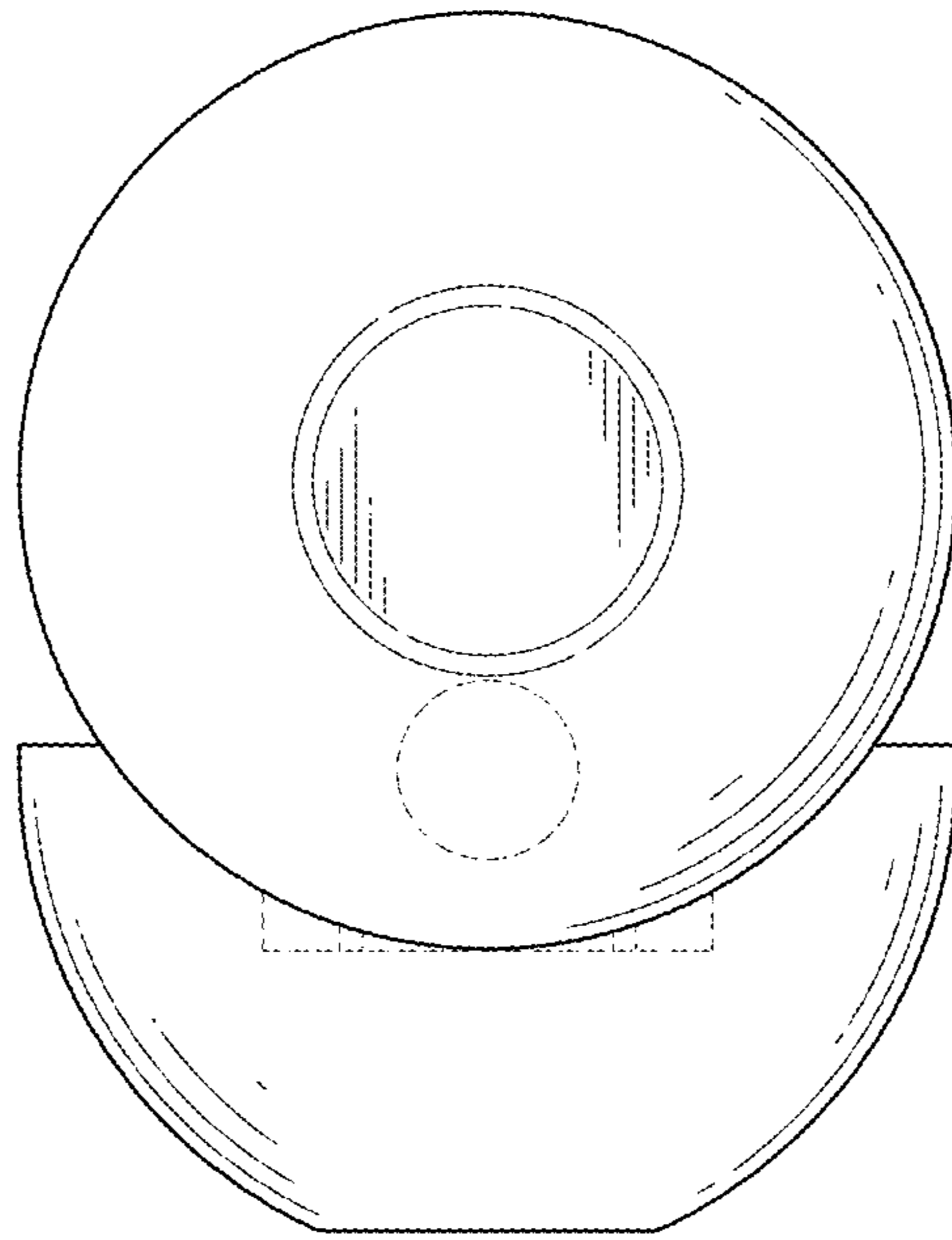


FIG. 8

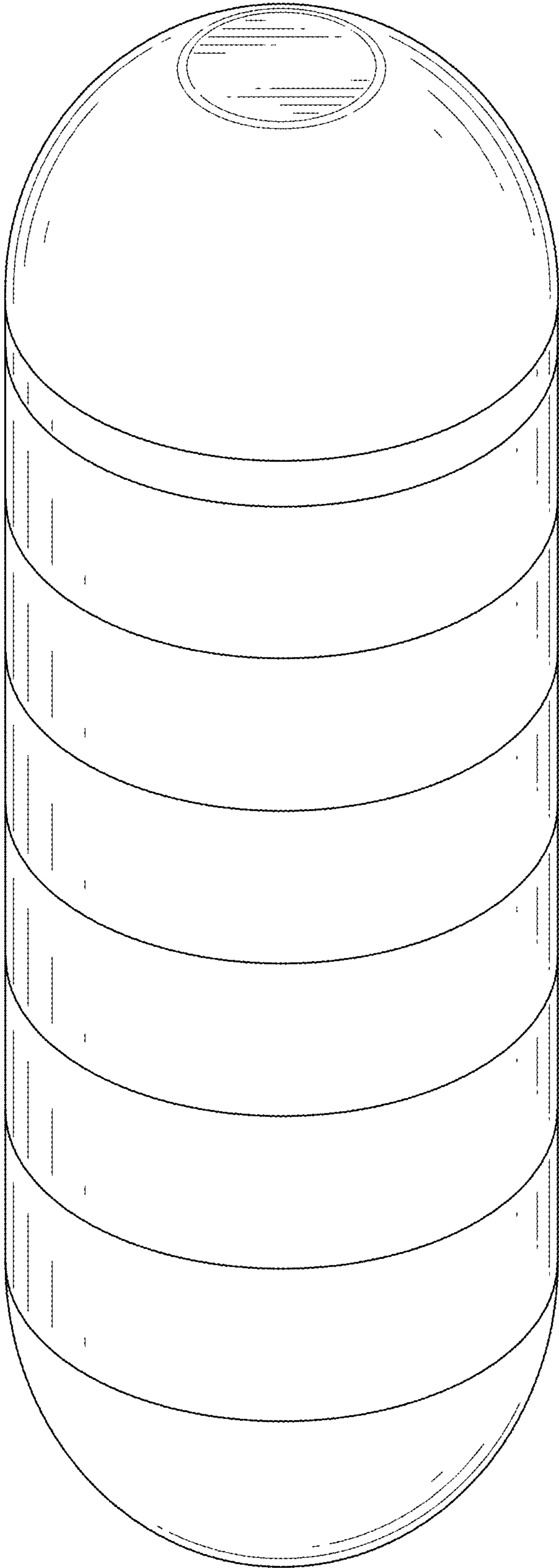


FIG. 9

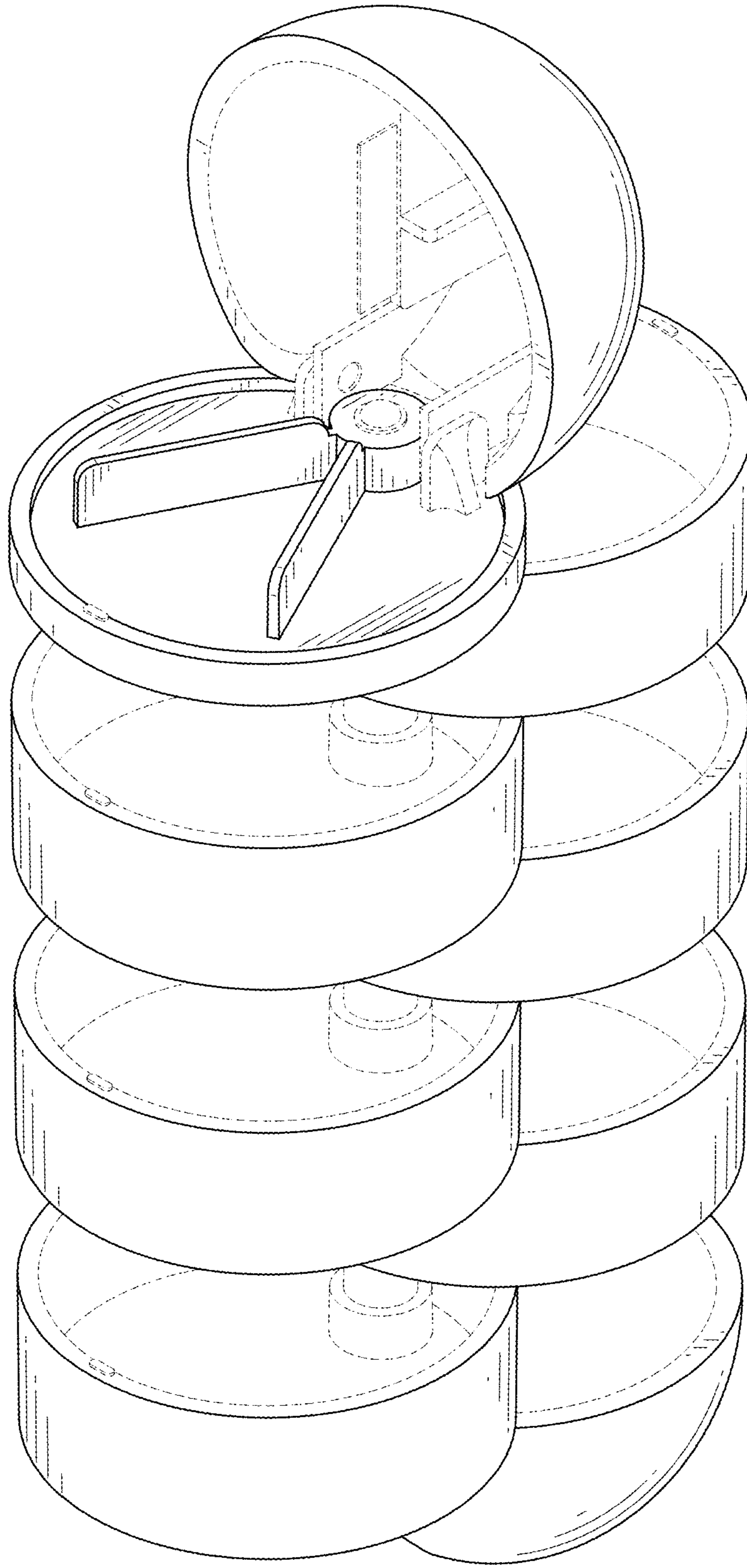


FIG. 10