



US00D893852S

(12) **United States Design Patent**
Owen et al.

(10) **Patent No.:** **US D893,852 S**

(45) **Date of Patent:** **** Aug. 25, 2020**

(54) **FOOTWEAR ARTICLE**

(71) Applicant: **Fuerst Group, Inc.**, Menlo Park, CA (US)

(72) Inventors: **Scott Owen**, Portland, OR (US); **Alicia Wood**, Portland, OR (US)

(73) Assignee: **FUERST GROUP, INC.**, Menlo Park, CA (US)

(**) Term: **15 Years**

(21) Appl. No.: **29/642,682**

(22) Filed: **Mar. 30, 2018**

(51) **LOC (12) Cl.** **02-04**

(52) **U.S. Cl.**
USPC **D2/971**

(58) **Field of Classification Search**
USPC D2/896, 897, 902, 904, 906–908, 916, D2/918, 946, 969, 971–974; D5/47, 49, D5/50, 53, 54, 56, 60
CPC ... A43B 13/181; A43B 13/141; A43B 13/186; A43B 13/188; A43B 23/00; A43B 23/02; A43B 5/00; A43B 23/26; A43B 11/14; A43B 7/00; A43B 3/12; A43C 3/00; A43C 5/00; A43C 7/00; A43C 11/004
See application file for complete search history.

(56) **References Cited**

U.S. PATENT DOCUMENTS

1,877,080	A	*	9/1932	Teshima	A43B 5/18 36/7.5
D91,998	S	*	4/1934	Heilbrunn	D2/930
D91,999	S	*	4/1934	Heilbrunn	D2/918
D95,097	S	*	4/1935	Weidner	D2/971
D95,204	S	*	4/1935	Hafin	D2/931
D97,677	S	*	12/1935	Goldberg	D2/933
D98,673	S	*	2/1936	Hyde	D2/932
D102,346	S	*	12/1936	Stein	
D108,658	S	*	3/1938	Dronoff	D2/935

D110,431	S	*	7/1938	Levin	D2/932
D110,850	S	*	8/1938	Rossi	D2/931
D112,307	S	*	11/1938	Levin	D2/932
D115,200	S	*	6/1939	Doree	
D127,607	S	*	6/1941	Varney	

(Continued)

FOREIGN PATENT DOCUMENTS

JP	3038372	U	3/1997
KR	201998068775	U	12/1998

OTHER PUBLICATIONS

ISA Korean Intellectual Property Office, International Search Report and Written Opinion Issued in Application No. PCT/US2013/069311, dated Feb. 11, 2014, WIPO, 11 pages.

Primary Examiner — Dominic V Simone

(74) *Attorney, Agent, or Firm* — McCoy Russell LLP

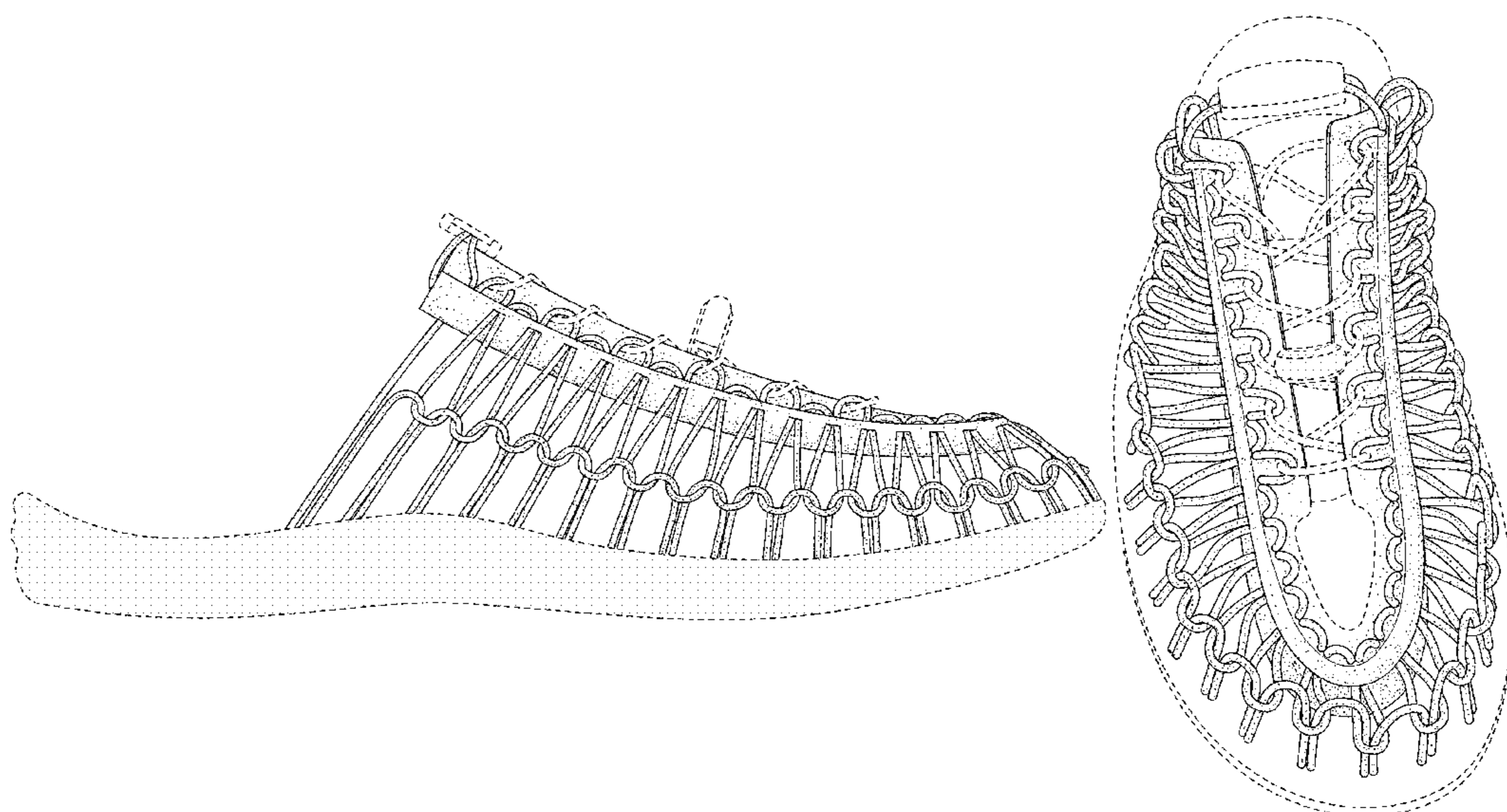
(57) **CLAIM**

An ornamental design for a footwear article, as shown and described.

DESCRIPTION

FIG. 1 is a top view of a footwear article according to the present invention.
FIG. 2 is a left side view of the footwear article of FIG. 1.
FIG. 3 is a right side view of the footwear article of FIG. 1.
FIG. 4 is a front view of the footwear article of FIG. 1.
FIG. 5 is a back view of the footwear article of FIG. 1.
FIG. 6 is a back and right perspective view of the footwear article of FIG. 1.
FIG. 7 is a top perspective view of the footwear article of FIG. 1; and,
FIG. 8 is a bottom view of the footwear article of FIG. 1.
The broken lines in FIGS. 1-8 are for illustrative purposes only and illustrate portions of the footwear article that form no part of the claimed design.

1 Claim, 7 Drawing Sheets



(56)

References Cited

U.S. PATENT DOCUMENTS

D138,211 S * 7/1944 Burrafato D2/930
D163,019 S * 4/1951 Braun D2/928
D163,360 S * 5/1951 Braun D2/935
D164,847 S * 10/1951 Dronoff A43B 23/0295
D2/971
D351,275 S 10/1994 Hatfield et al.
D391,068 S 2/1998 Aveni et al.
D393,360 S 4/1998 Aveni et al.
D437,475 S 2/2001 Kieler
6,449,879 B1 9/2002 Fallon et al.
D467,723 S 12/2002 Gerber et al.
D529,704 S * 10/2006 Choi D2/971
7,204,042 B2 4/2007 Aveni
7,293,371 B2 11/2007 Aveni
7,540,097 B2 * 6/2009 Greene A43B 9/00
36/3 A
7,703,220 B2 4/2010 Aveni
8,051,581 B2 11/2011 Aveni
D737,561 S * 9/2015 Aveni D2/971
D769,590 S * 10/2016 Aveni D2/935
D798,565 S * 10/2017 Aveni D2/971
10,092,060 B2 * 10/2018 Aveni A43C 1/00
D836,305 S * 12/2018 Androschuk D2/944
10,390,584 B2 * 8/2019 Fuerst, Jr. A43B 23/0275
2006/0059715 A1 3/2006 Aveni
2011/0041359 A1 2/2011 Dojan et al.
2012/0017468 A1 1/2012 Dojan et al.
2012/0066931 A1 3/2012 Dojan et al.

* cited by examiner

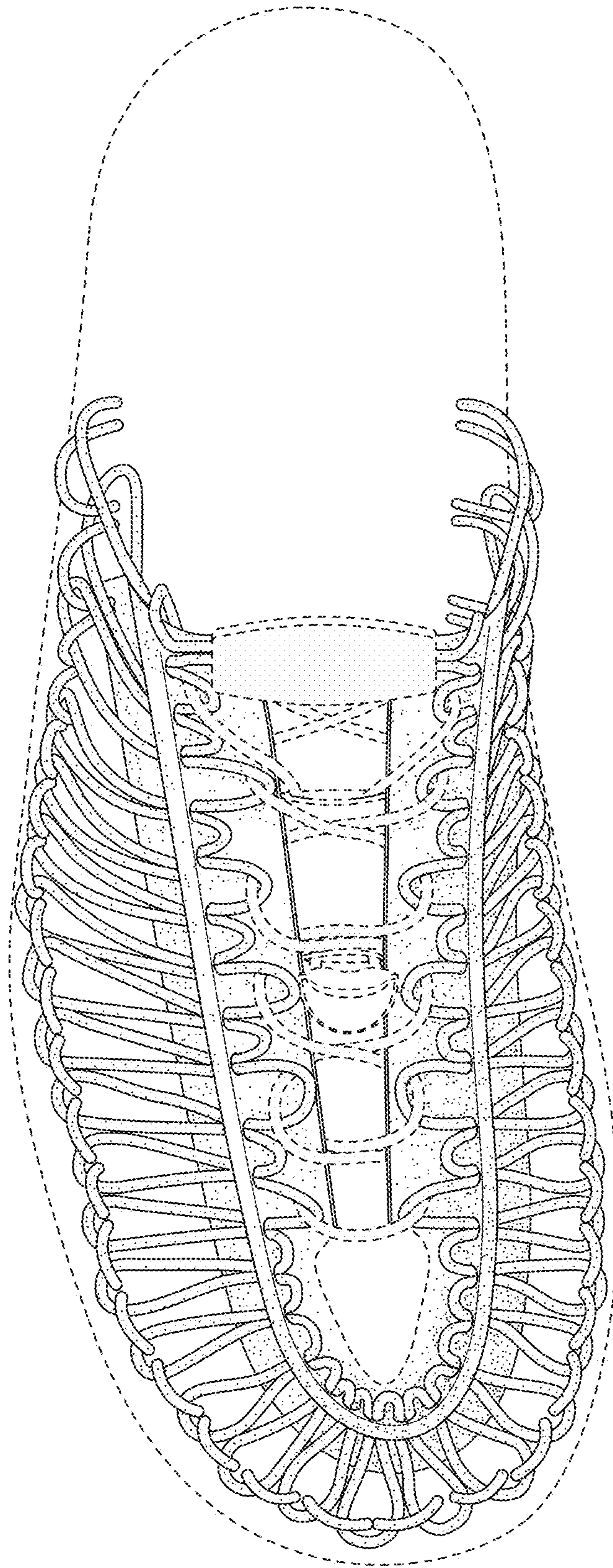


FIG. 1

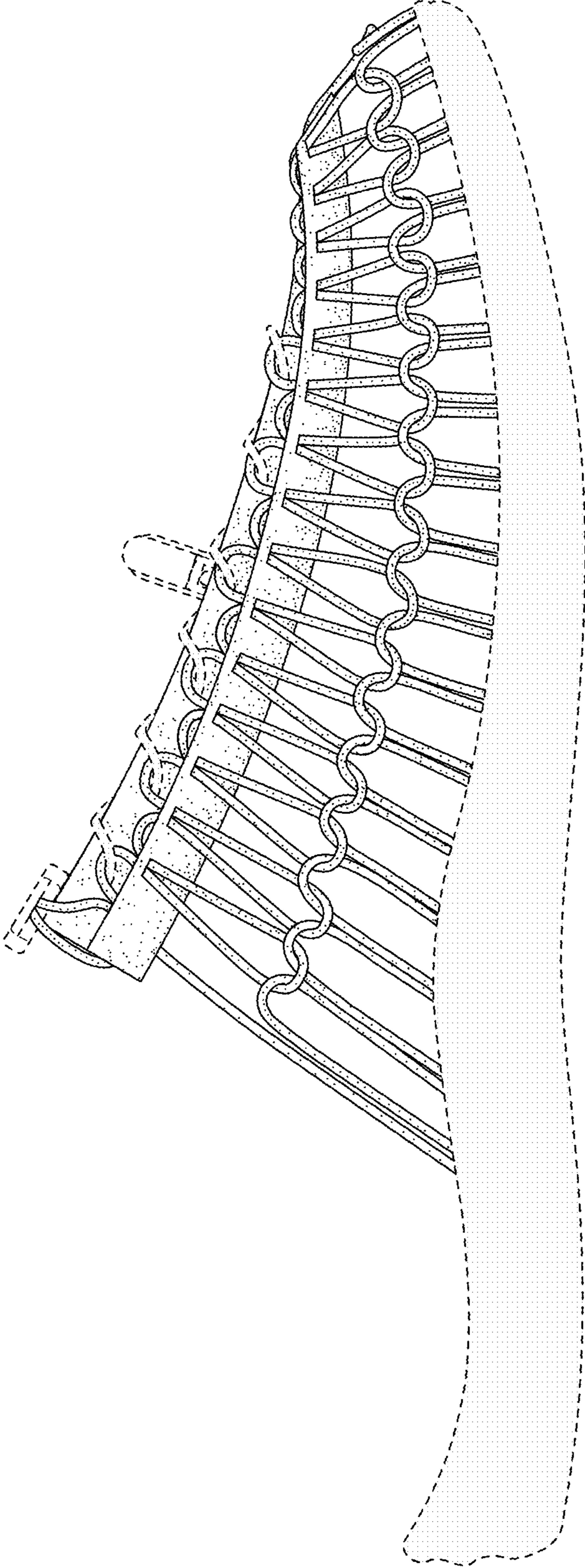


FIG. 2

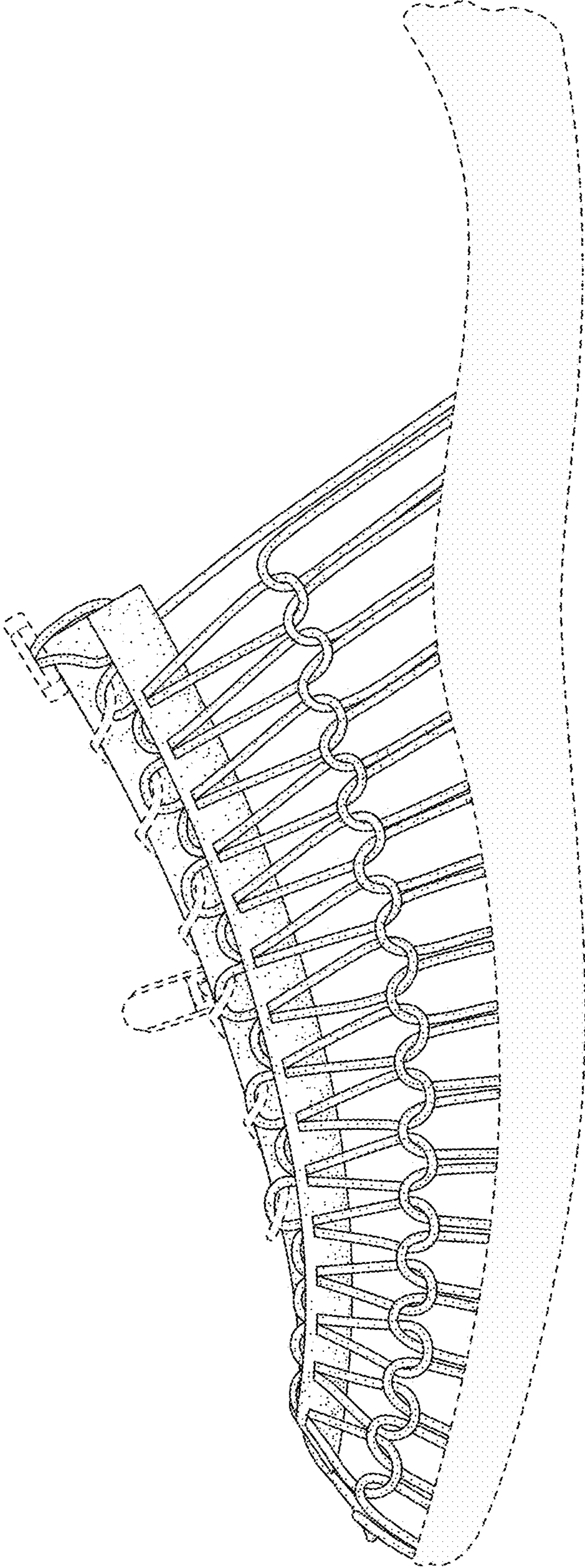


FIG. 3

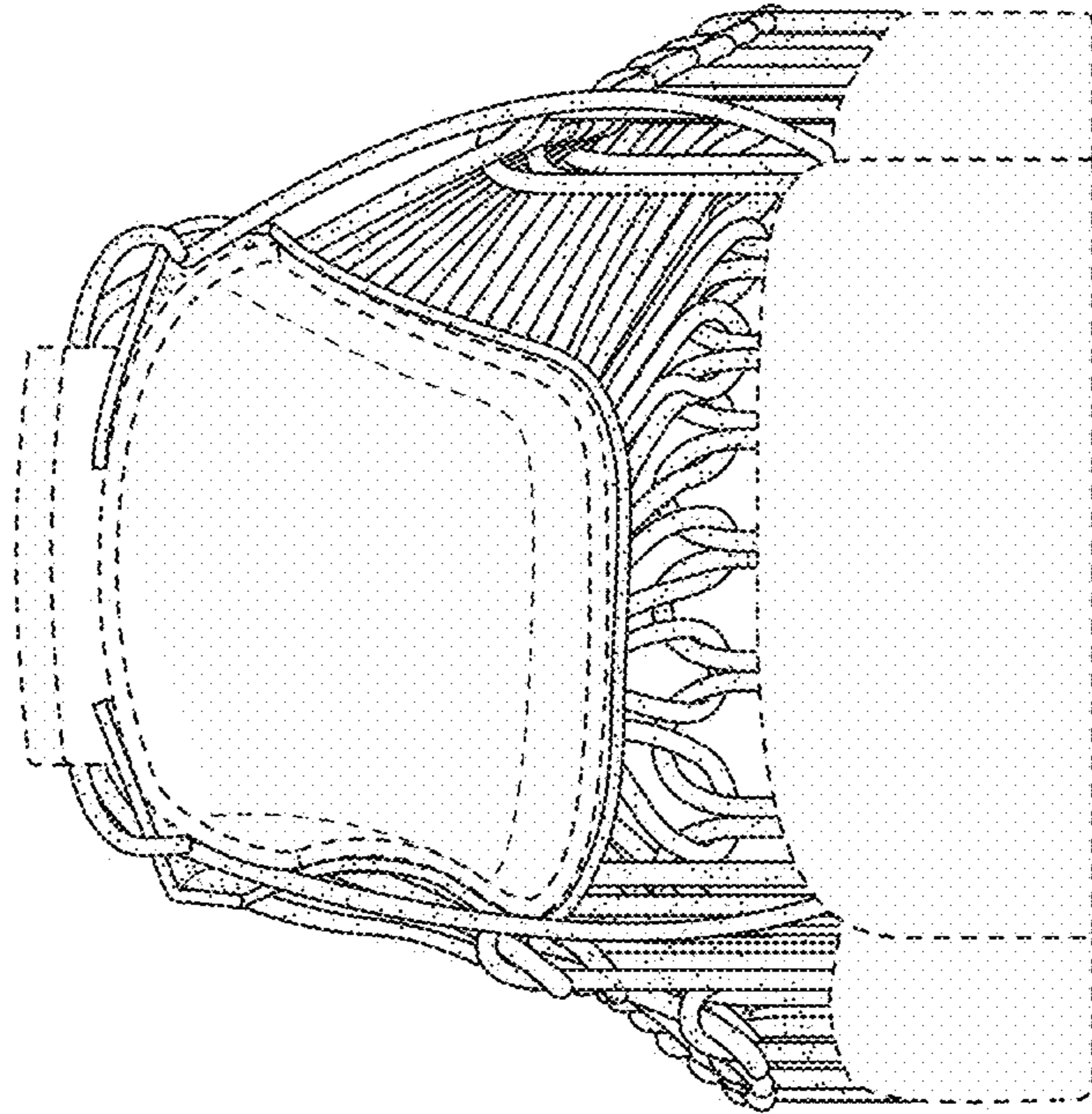


FIG. 5

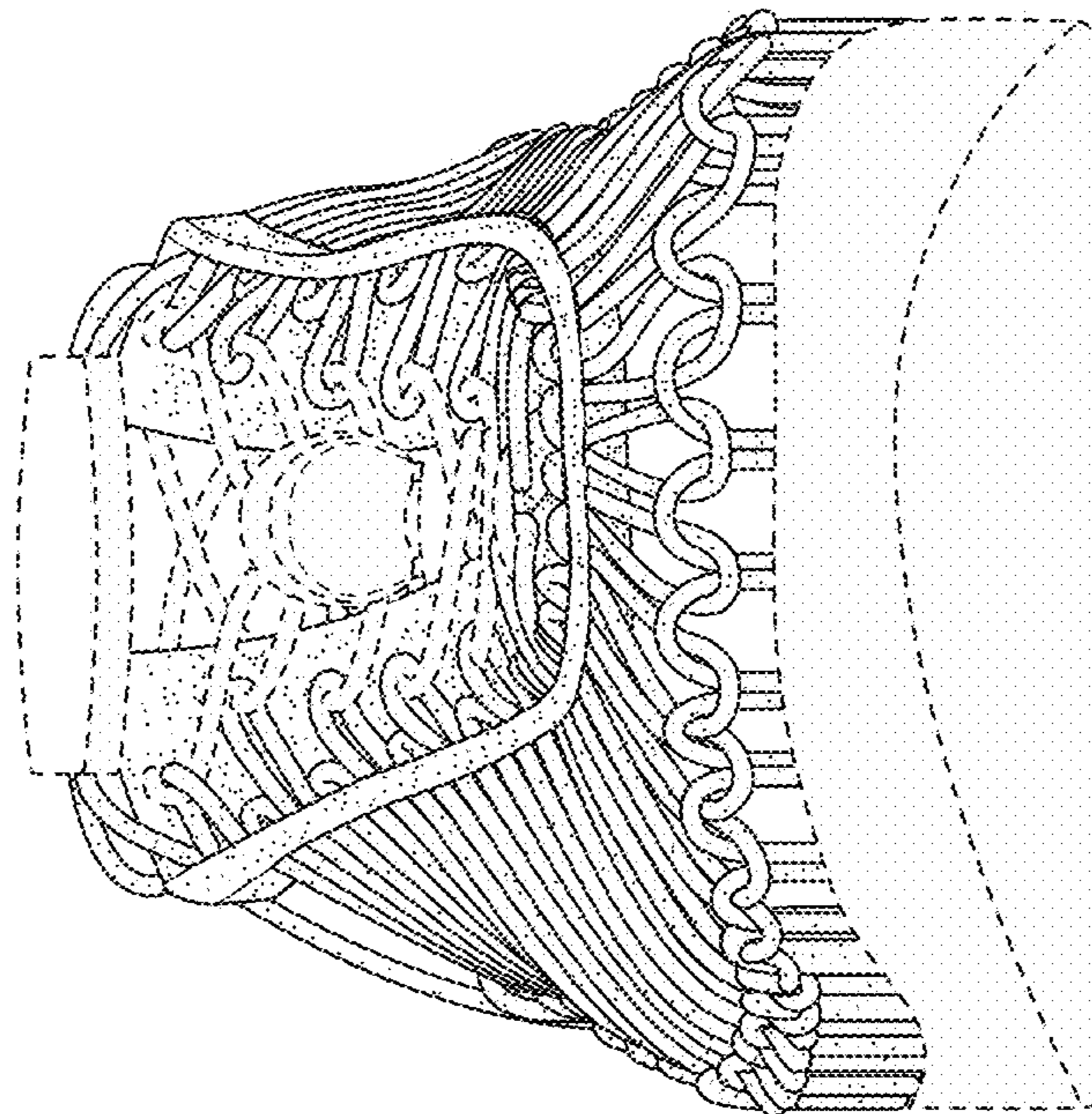


FIG. 4

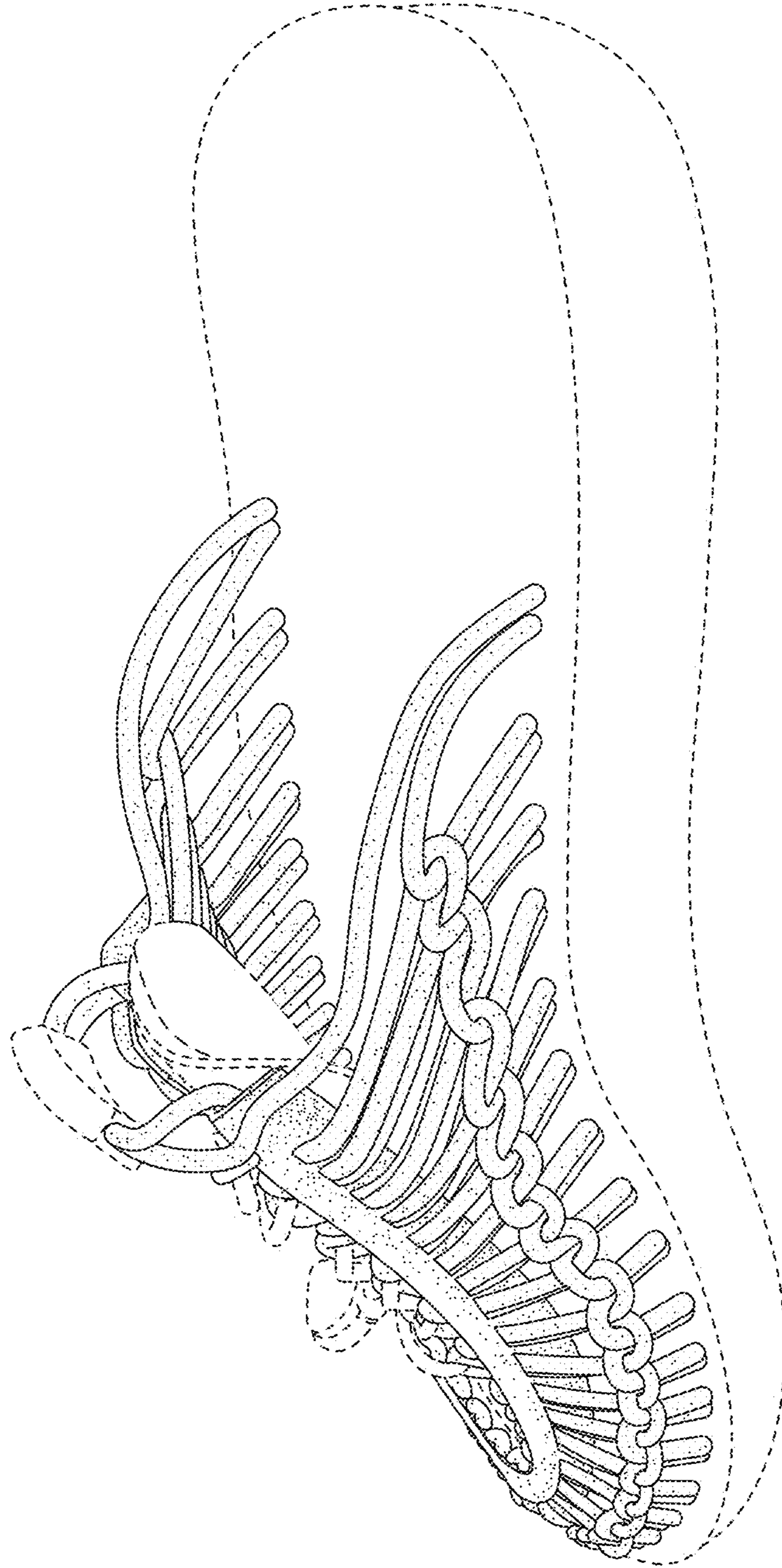


FIG. 6

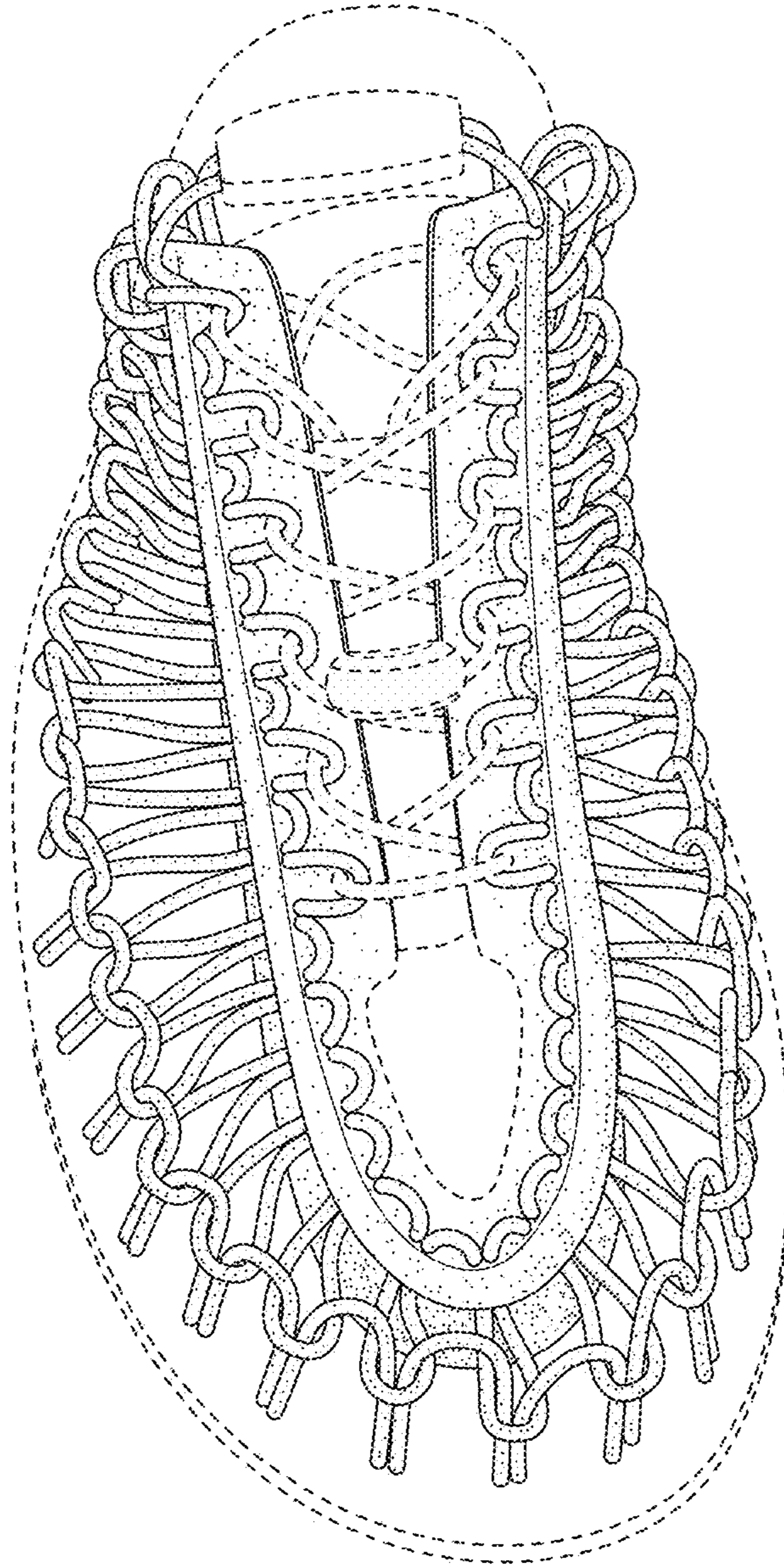


FIG. 7

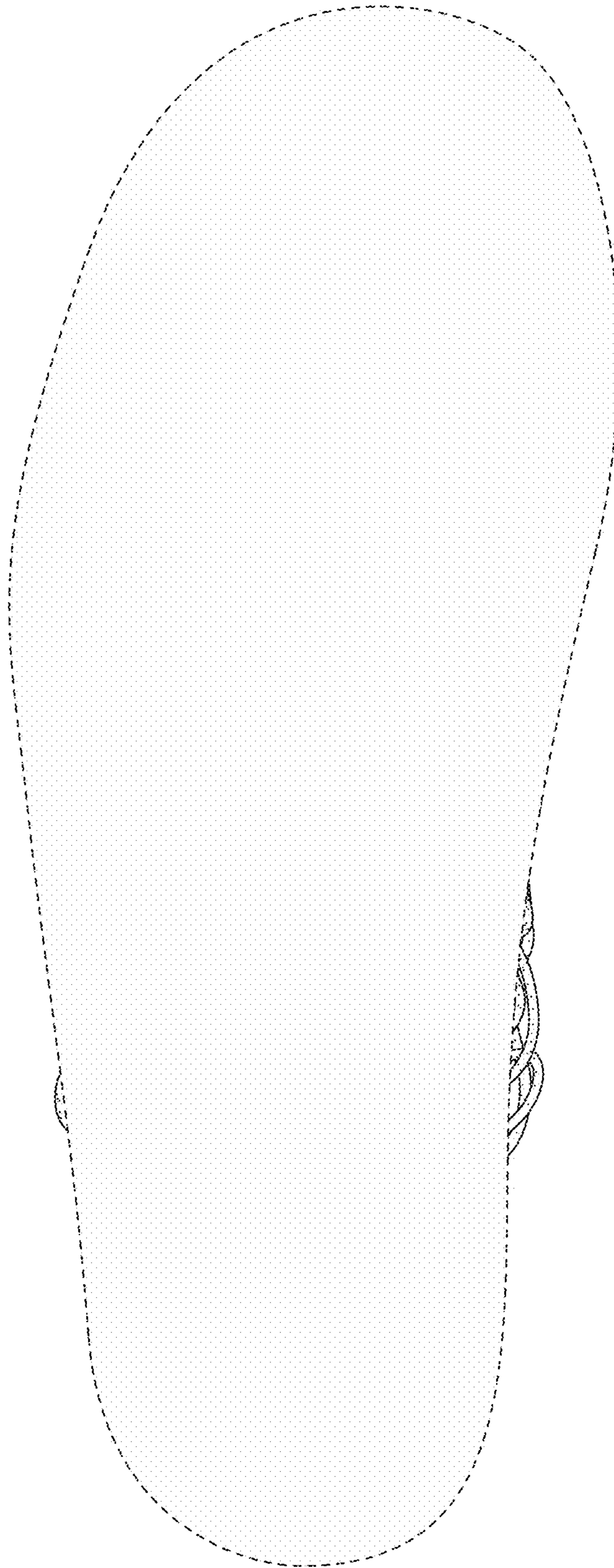


FIG. 8