



US00D893834S

(12) **United States Design Patent**
Wills

(10) **Patent No.:** **US D893,834 S**

(45) **Date of Patent:** **** Aug. 25, 2020**

(54) **SPORTS VISOR**

(71) Applicant: **Adam Wills**, Coon Rapids, MN (US)

(72) Inventor: **Adam Wills**, Coon Rapids, MN (US)

(**) Term: **15 Years**

(21) Appl. No.: **29/677,604**

(22) Filed: **Jan. 22, 2019**

(51) **LOC (12) Cl.** **02-03**

(52) **U.S. Cl.**
USPC **D2/891; D29/110**

(58) **Field of Classification Search**
USPC D2/865, 866, 869, 872, 873, 876, 879,
D2/882, 883, 884, 886, 891, 893, 895;
(Continued)

(56) **References Cited**

U.S. PATENT DOCUMENTS

1,665,513 A * 4/1928 Thomas A42B 1/247
2/10
2,481,960 A * 9/1949 Wall A42B 1/062
2/10

(Continued)

OTHER PUBLICATIONS

US Trademark Application #88664942 for "Look Good Feel Good Play Good" filed on Oct. 23, 2019 by Adam Wills. First use in commerce date: Jun. 1, 2019. Retrieved on Apr. 16, 2020. (3 pages). (Year: 2019).*

(Continued)

Primary Examiner — Jasmine Mlinarcik

(74) *Attorney, Agent, or Firm* — Patterson Thuent Pedersen, PA

(57) **CLAIM**

The ornamental design for a sports visor, as shown and described.

DESCRIPTION

FIG. 1 is a perspective view of a sports visor according to an embodiment.

FIG. 2 is a front view of the sports visor depicted in FIG. 1.

FIG. 3 is a rear view of the sports visor depicted in FIG. 1.

FIG. 4 is a right side view of the sports visor depicted in FIG. 1.

FIG. 5 is a left side view of the sports visor depicted in FIG. 1.

FIG. 6 is a top plan view of the sports visor depicted in FIG. 1.

FIG. 7 is a bottom plan view of the sports visor depicted in FIG. 1.

FIG. 8 is a perspective view of the sports visor depicted in FIG. 1 as it may appear when in a position of use.

FIG. 9 is a perspective view of a sports visor according to a second embodiment.

FIG. 10 is a front view of the sports visor depicted in FIG. 9.

FIG. 11 is a rear view of the sports visor depicted in FIG. 9.

FIG. 12 is a right side view of the sports visor depicted in FIG. 9.

FIG. 13 is a left side view of the sports visor depicted in FIG. 9.

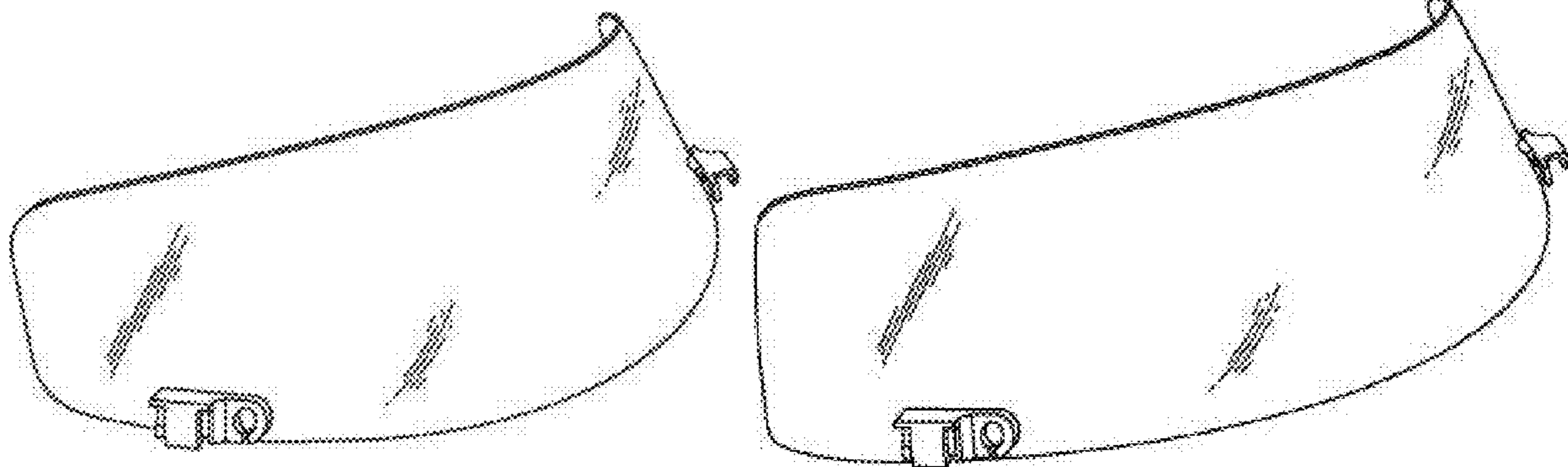
FIG. 14 is a top plan view of the sports visor depicted in FIG. 9.

FIG. 15 is a bottom plan view of the sports visor depicted in FIG. 9; and,

FIG. 16 is a perspective view of the sports visor depicted in FIG. 9 as it may appear when in a position of use.

The broken line showing of the helmet in FIG. 8 and FIG. 16 illustrates environmental structure of the sports visor and forms no part of the claimed design.

1 Claim, 6 Drawing Sheets



(58) **Field of Classification Search**

USPC D12/191; D14/372; D16/306, 310, 314,
D16/325, 340; D29/109, 110, 122
CPC A42B 1/00; A42B 1/004; A42B 1/006;
A42B 1/02; A42B 1/06; A42B 1/061;
A42B 1/062; A42B 1/063; A42B 1/24;
A42B 1/241; A42B 1/247
See application file for complete search history.

D721,758 S * 1/2015 Cazalet D16/314
9,918,508 B2 * 3/2018 Ryan A42B 3/226
D833,121 S * 11/2018 Darby D2/891

OTHER PUBLICATIONS

The Visor Guy Facebook video, [online]; [published to the Internet on Jan. 17, 2019]; [retrieved from the Internet on Apr. 16, 2020]; URL: <https://www.facebook.com/Thevisorguy/videos/vb.1026476407448460/2250080391901526/?type=3&theater>. (2 pages). (Year: 2019).*

The Visor Guy Facebook video, [online]; [published to the Internet on Jul. 2, 2018]; [retrieved from the Internet on Apr. 16, 2020]; URL: <https://www.facebook.com/Thevisorguy/videos/vb.1026476407448460/1837742842988475/?type=3&theater>. (2 pages). (Year: 2018).*

Shop by Visor Color [online]; [Internet publication date unknown]; [retrieved from the Internet on Apr. 16, 2020]; URL: <https://thevisorguy.com/#!/Shop-by-Visor-Color/c/32548021/offset=0&sort=normal>. (2 pages). (Year: 2020).*

* cited by examiner

(56) **References Cited**

U.S. PATENT DOCUMENTS

D199,931 S * 12/1964 Kline D29/110
5,206,956 A * 5/1993 Olson A61F 9/02
128/857
D344,530 S * 2/1994 Johnson D12/191
5,500,953 A * 3/1996 Reuber A42B 3/226
2/15
6,662,371 B2 * 12/2003 Shin A42B 1/247
2/10
D569,557 S * 5/2008 Cho D29/122
D700,401 S * 2/2014 Larrivee D29/110

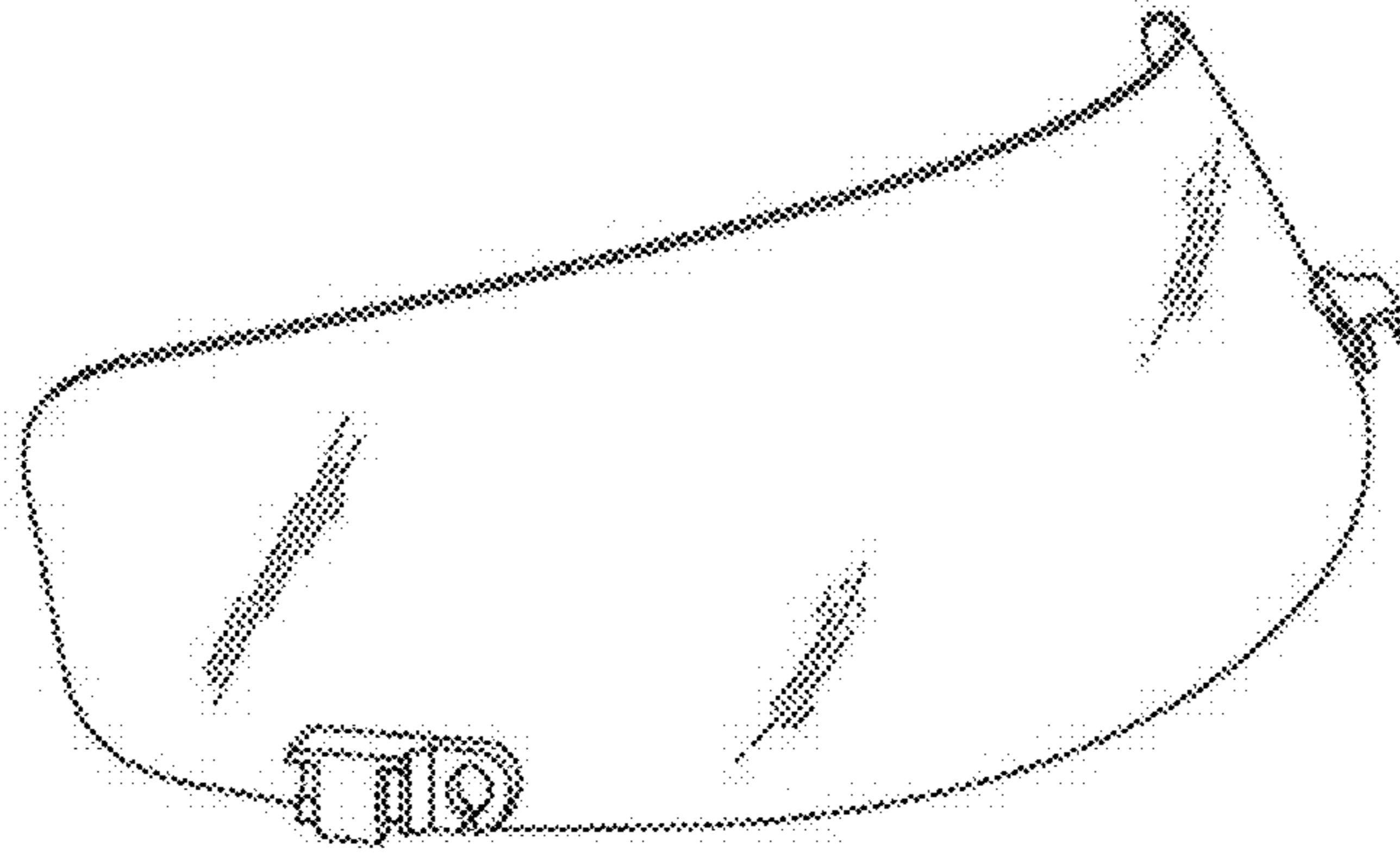


FIG. 1

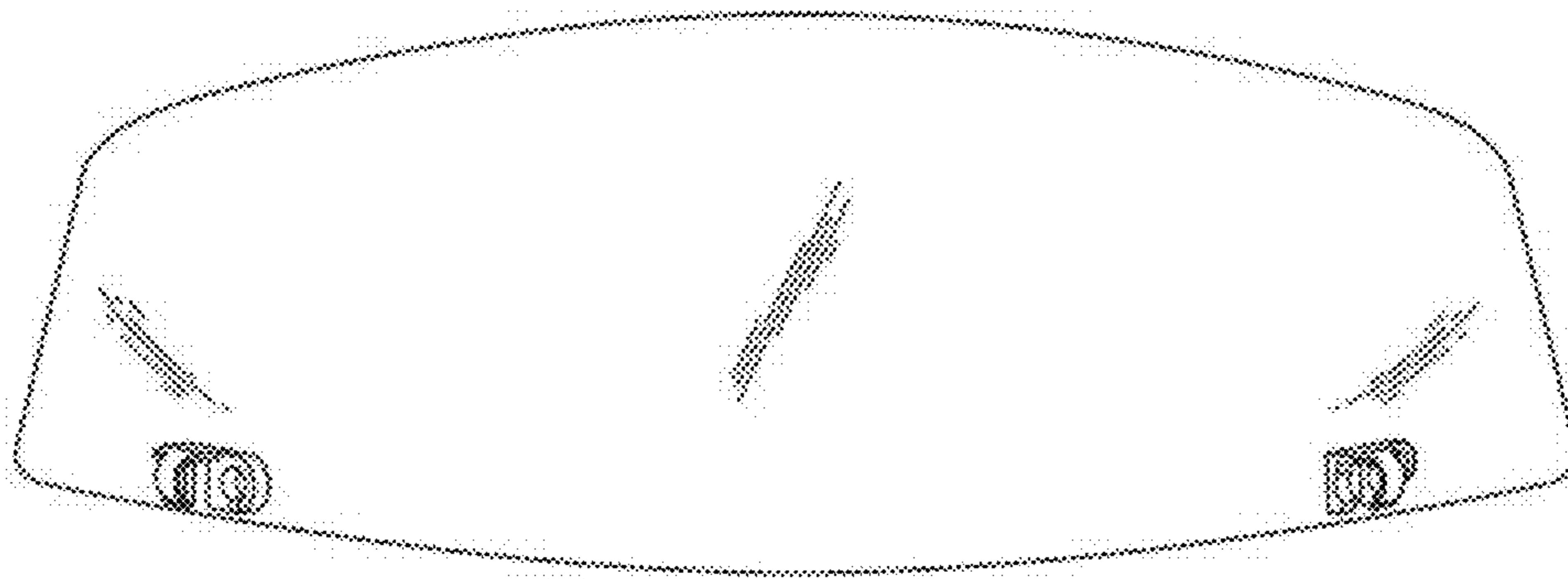


FIG. 2

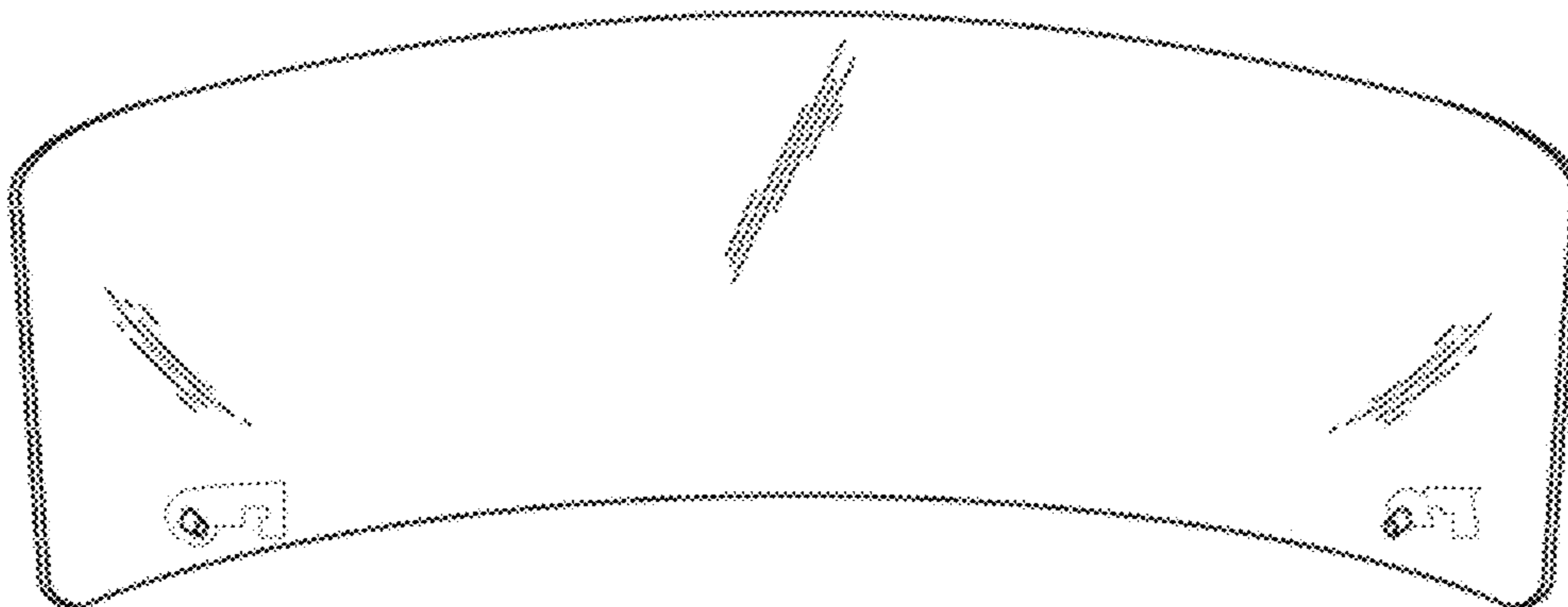


FIG. 3

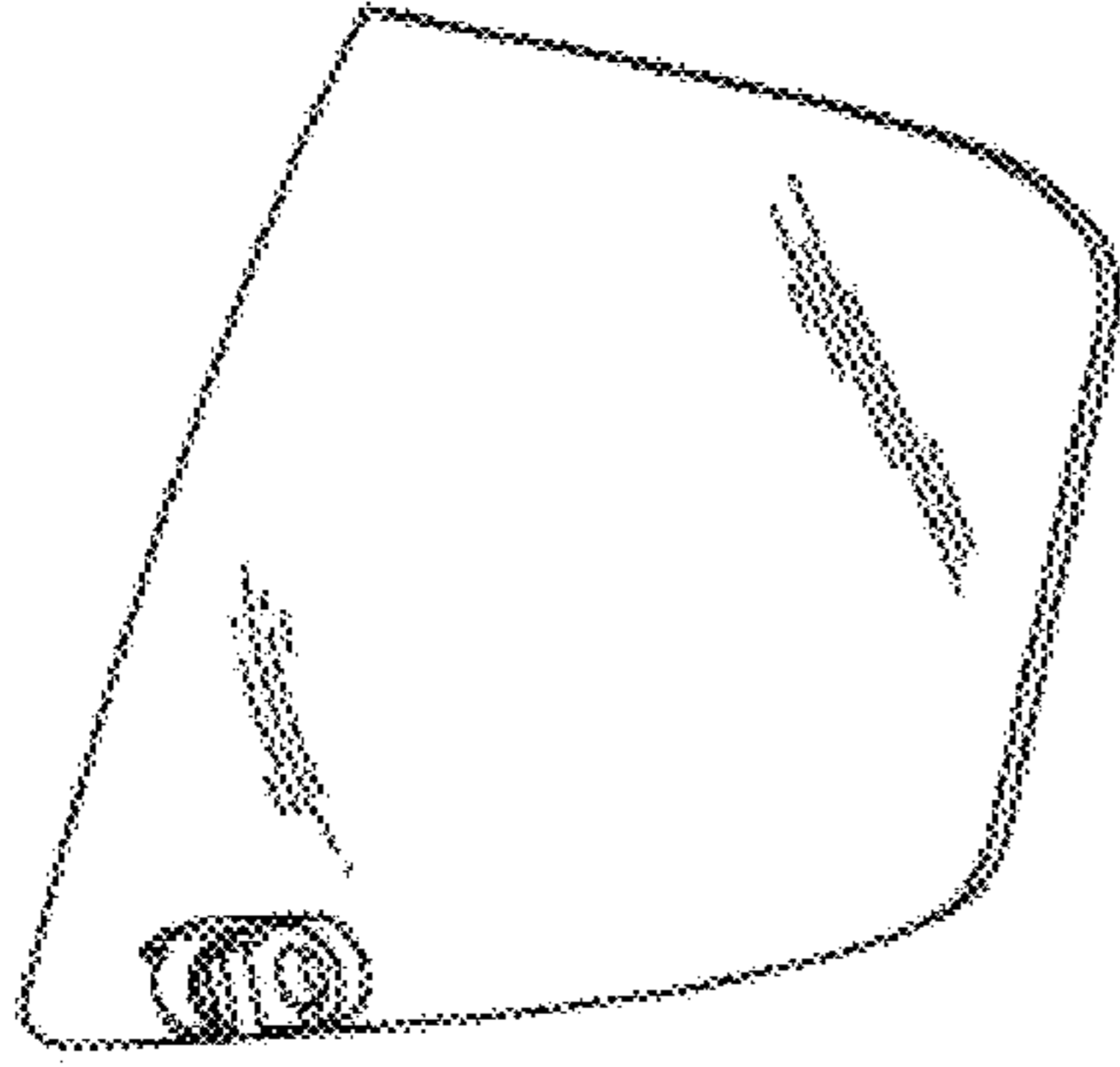


FIG. 4

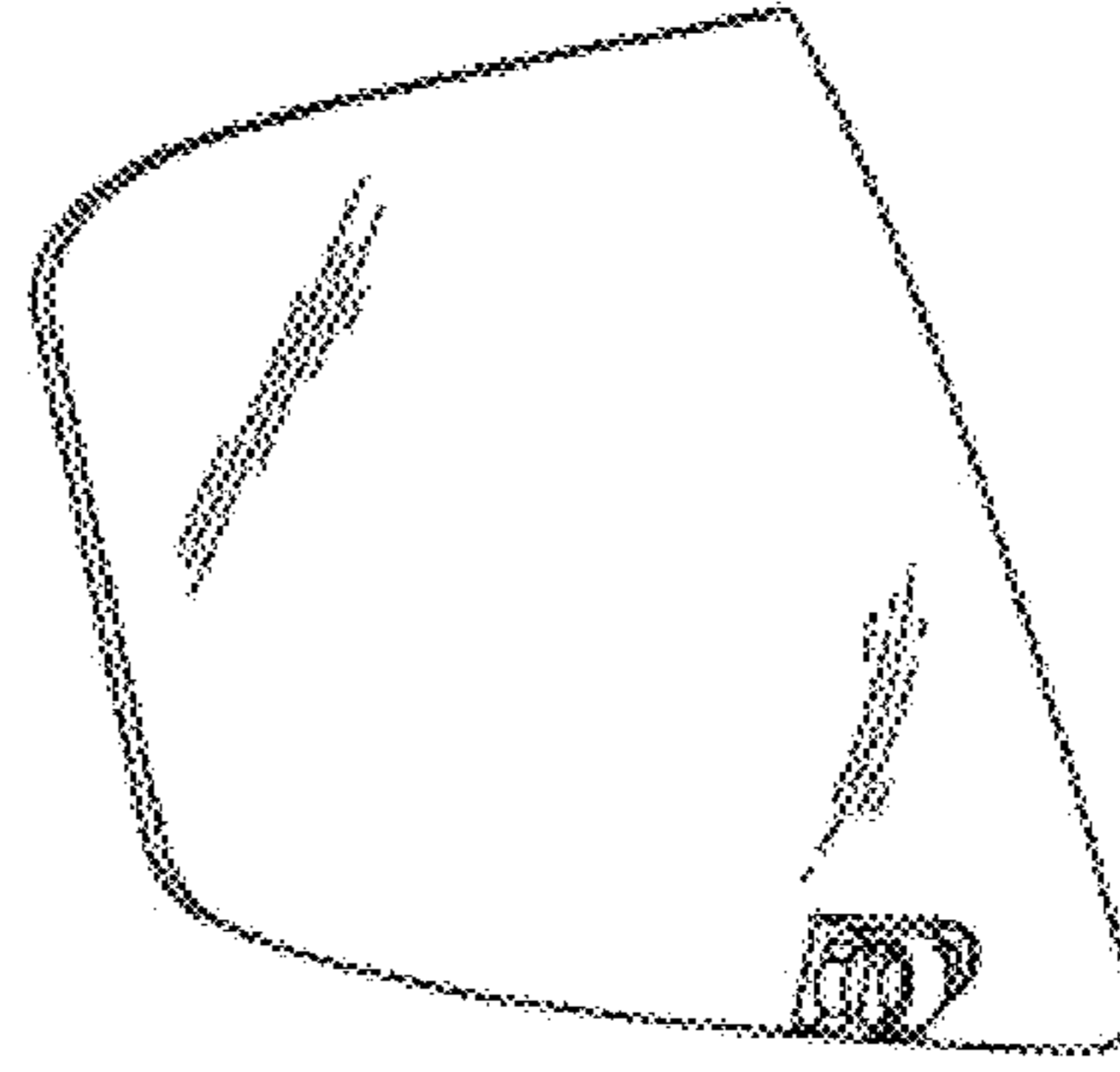


FIG. 5

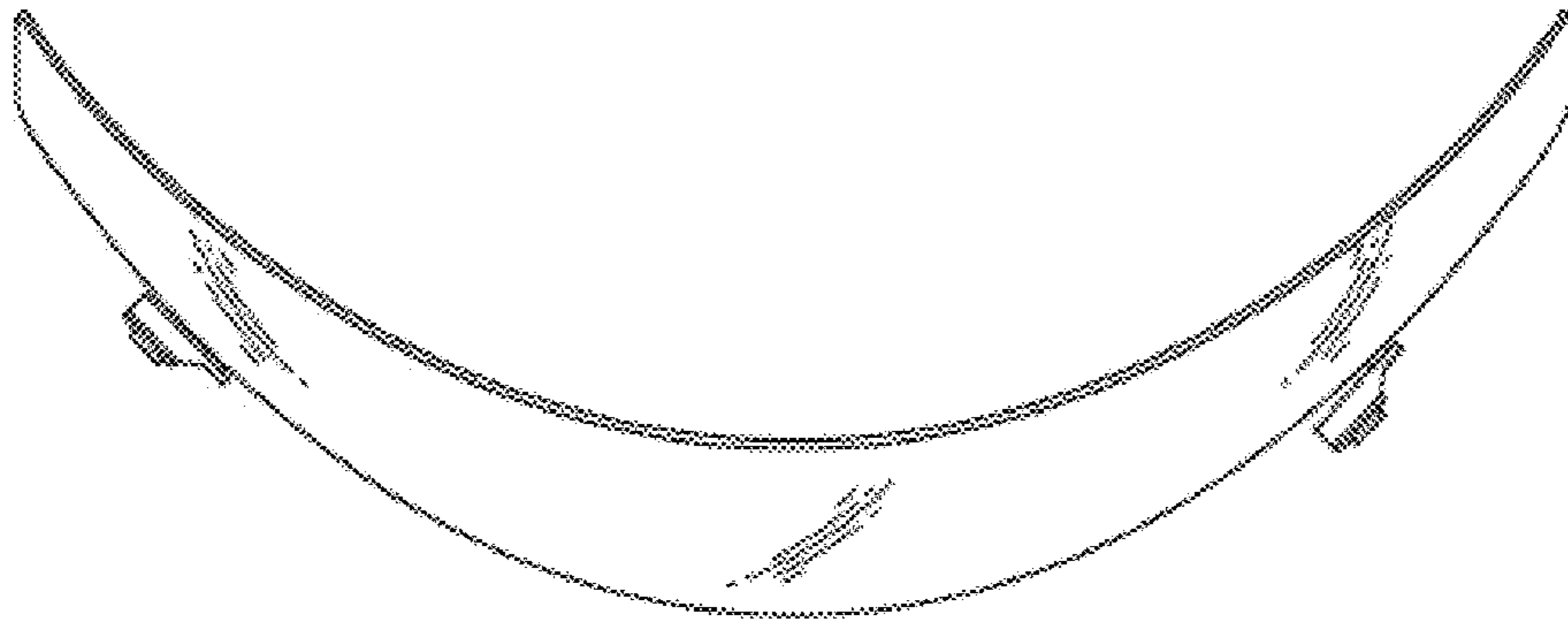


FIG. 6

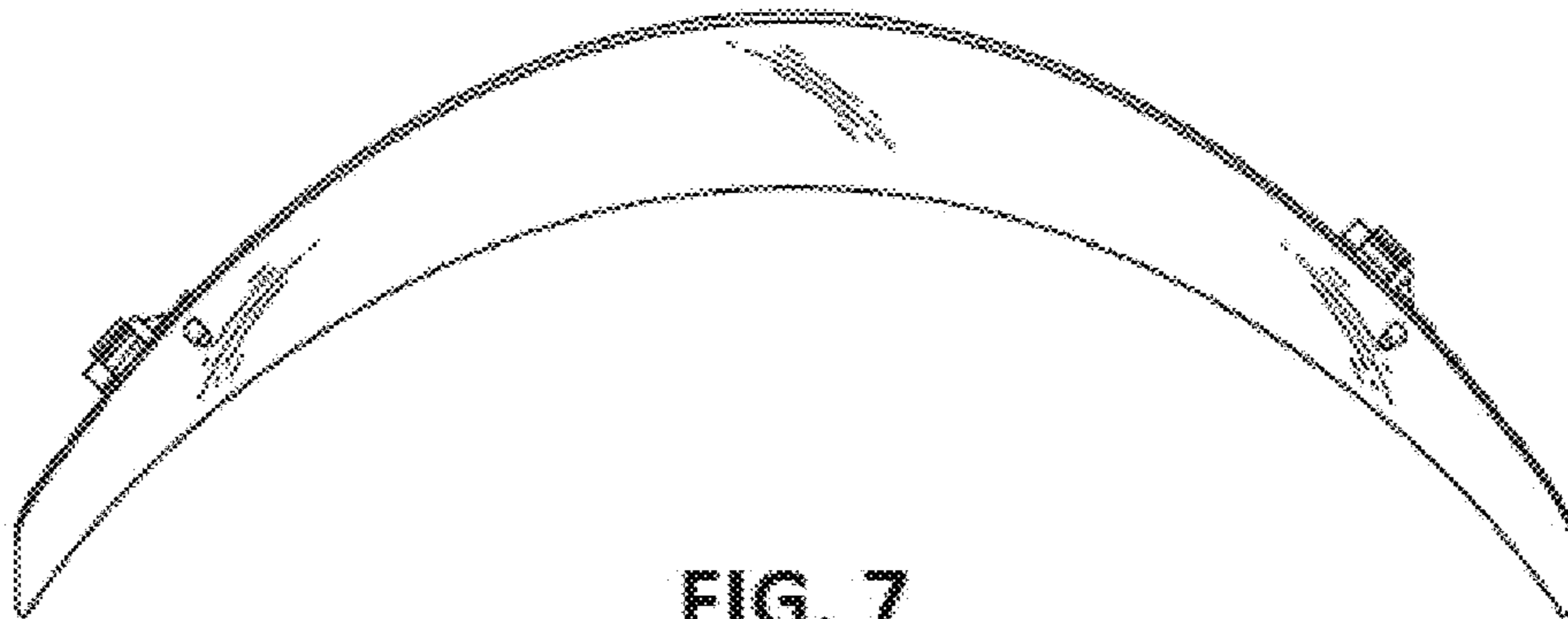


FIG. 7

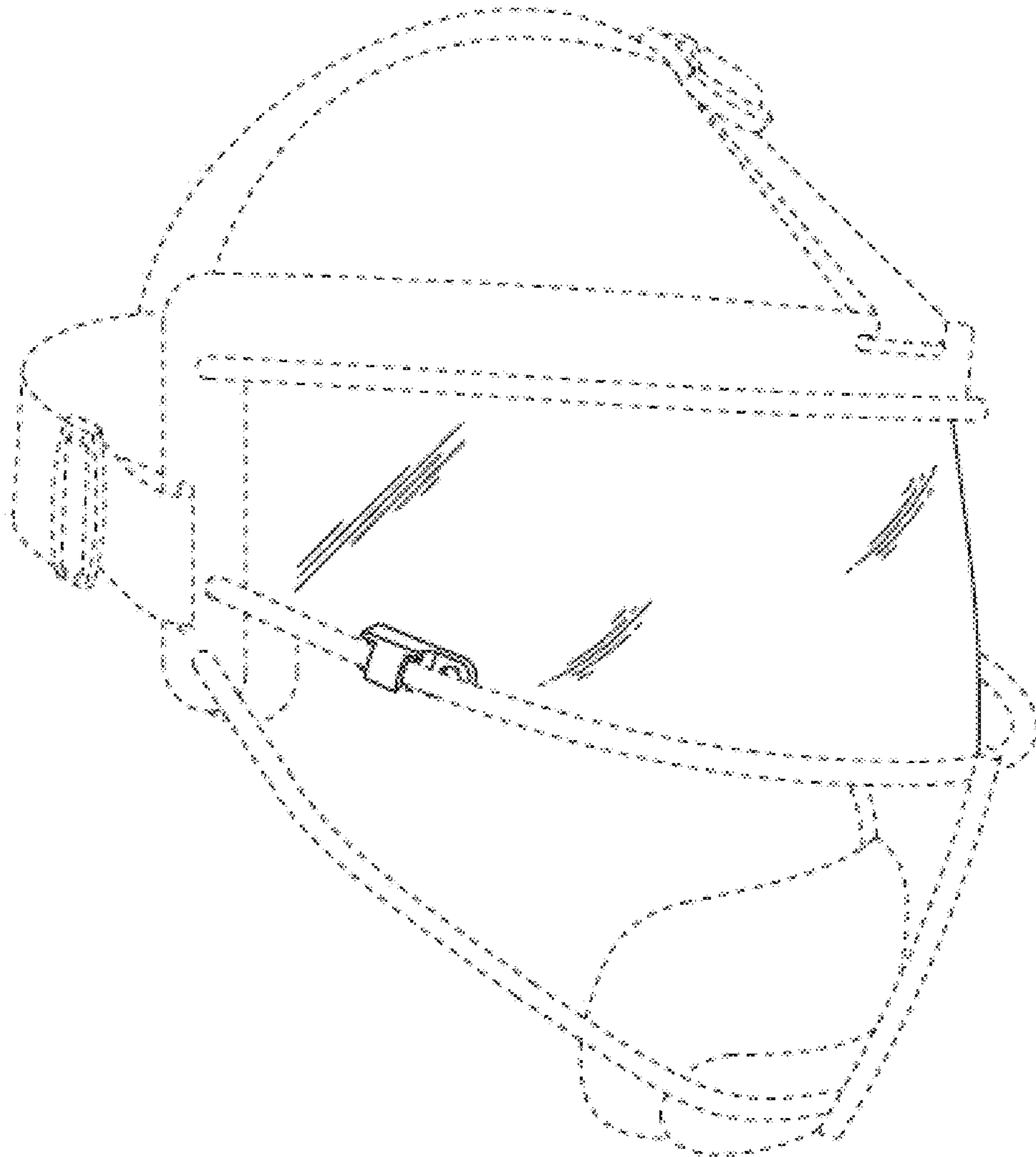


FIG. 8

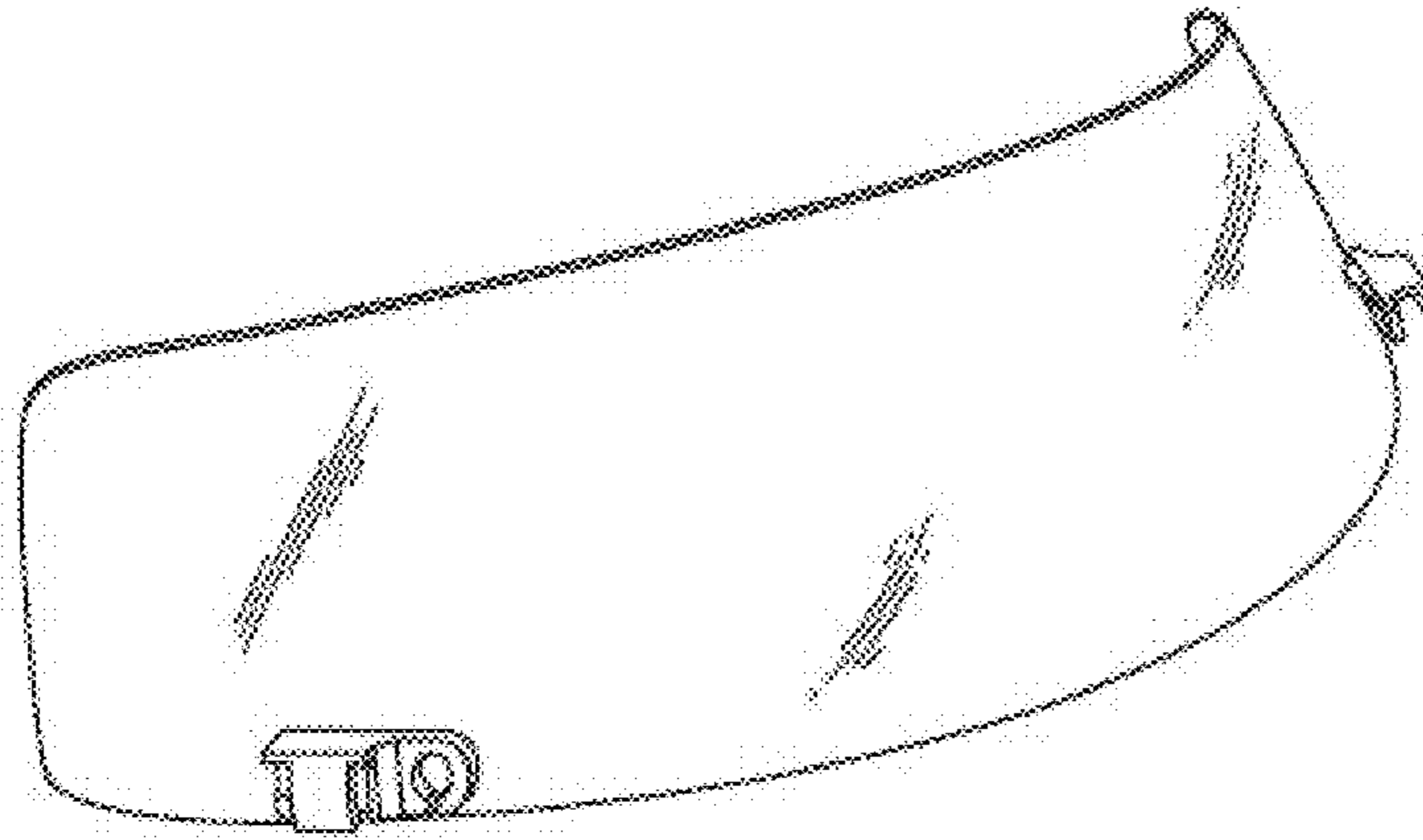


FIG. 9

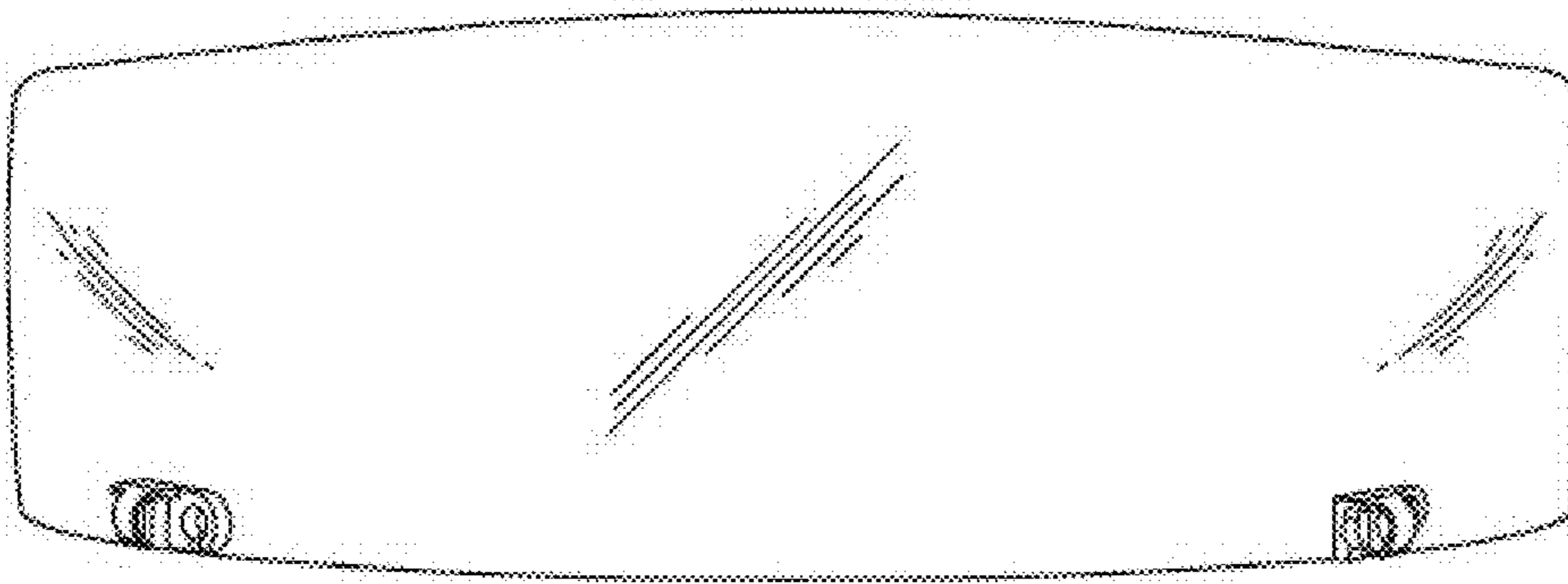


FIG. 10

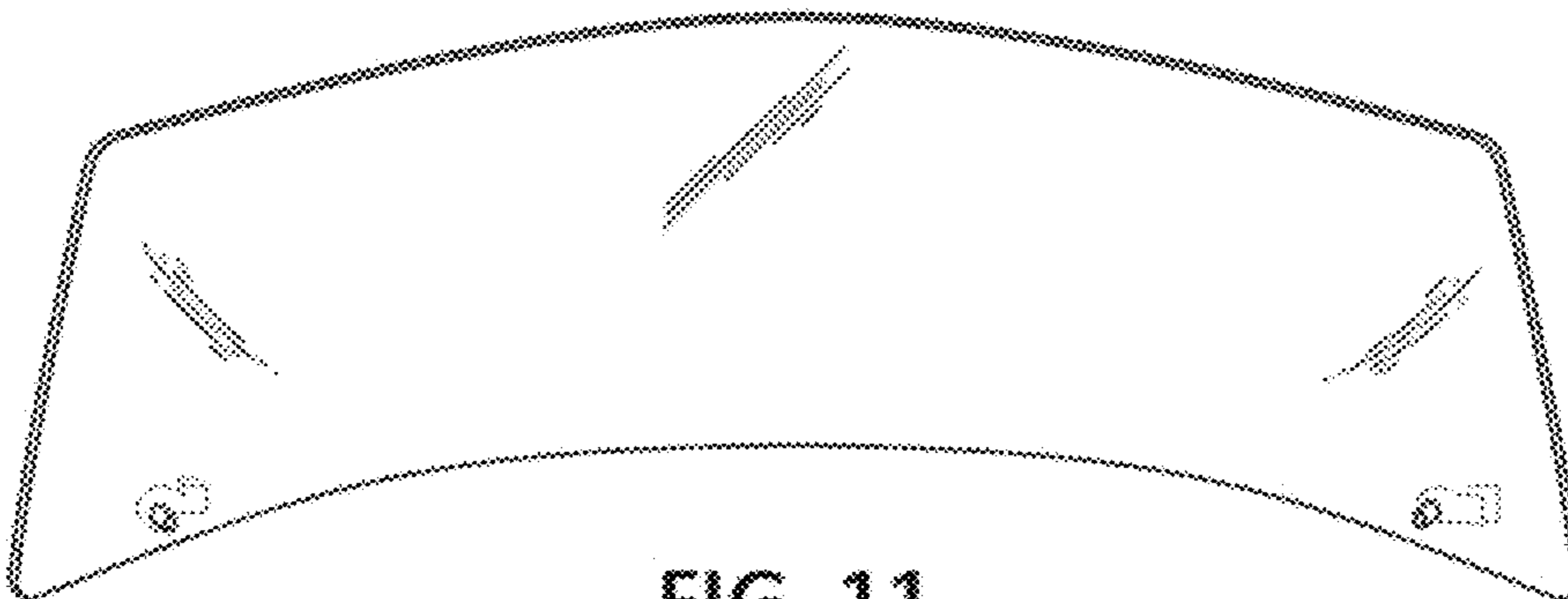


FIG. 11

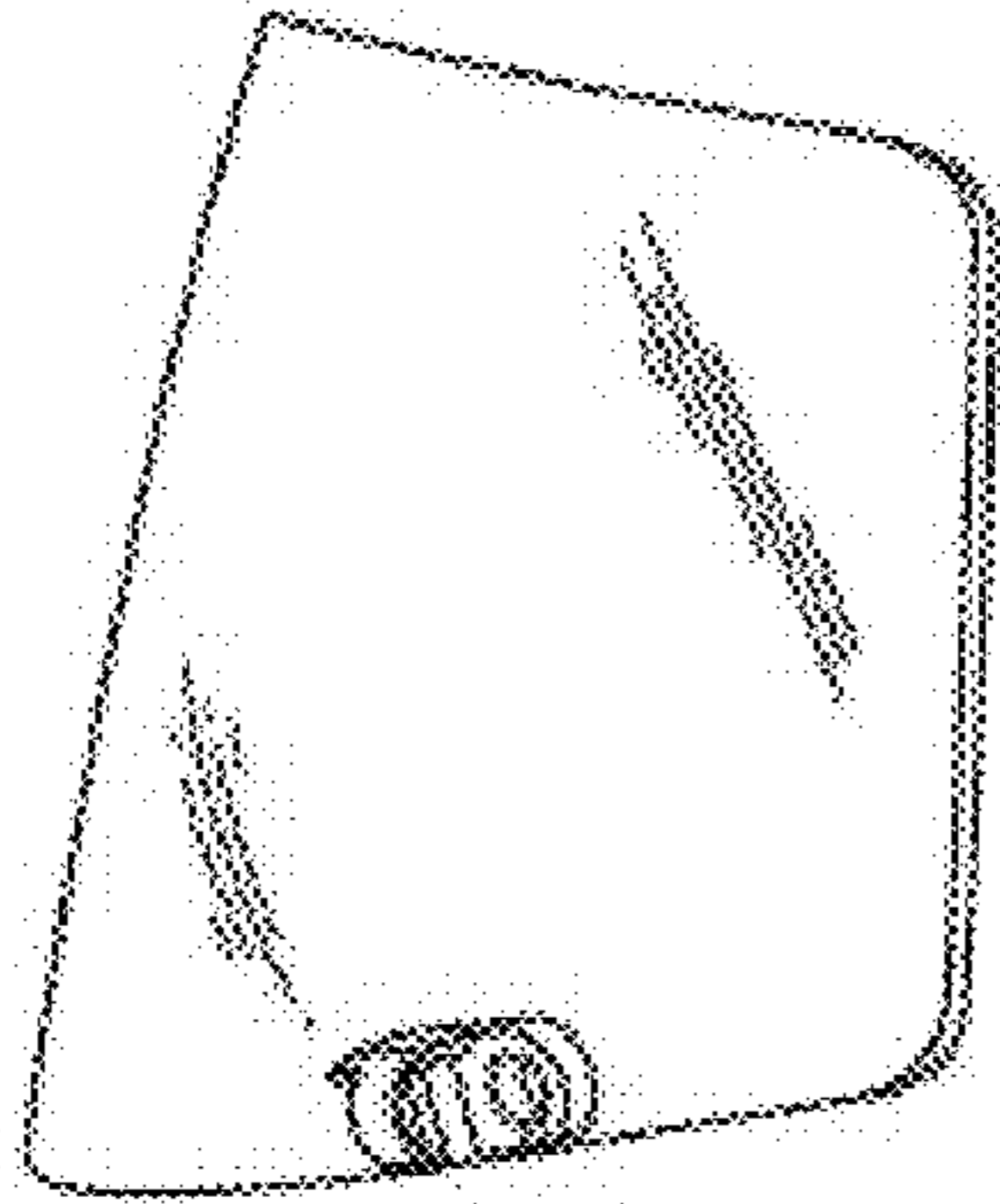


FIG. 12

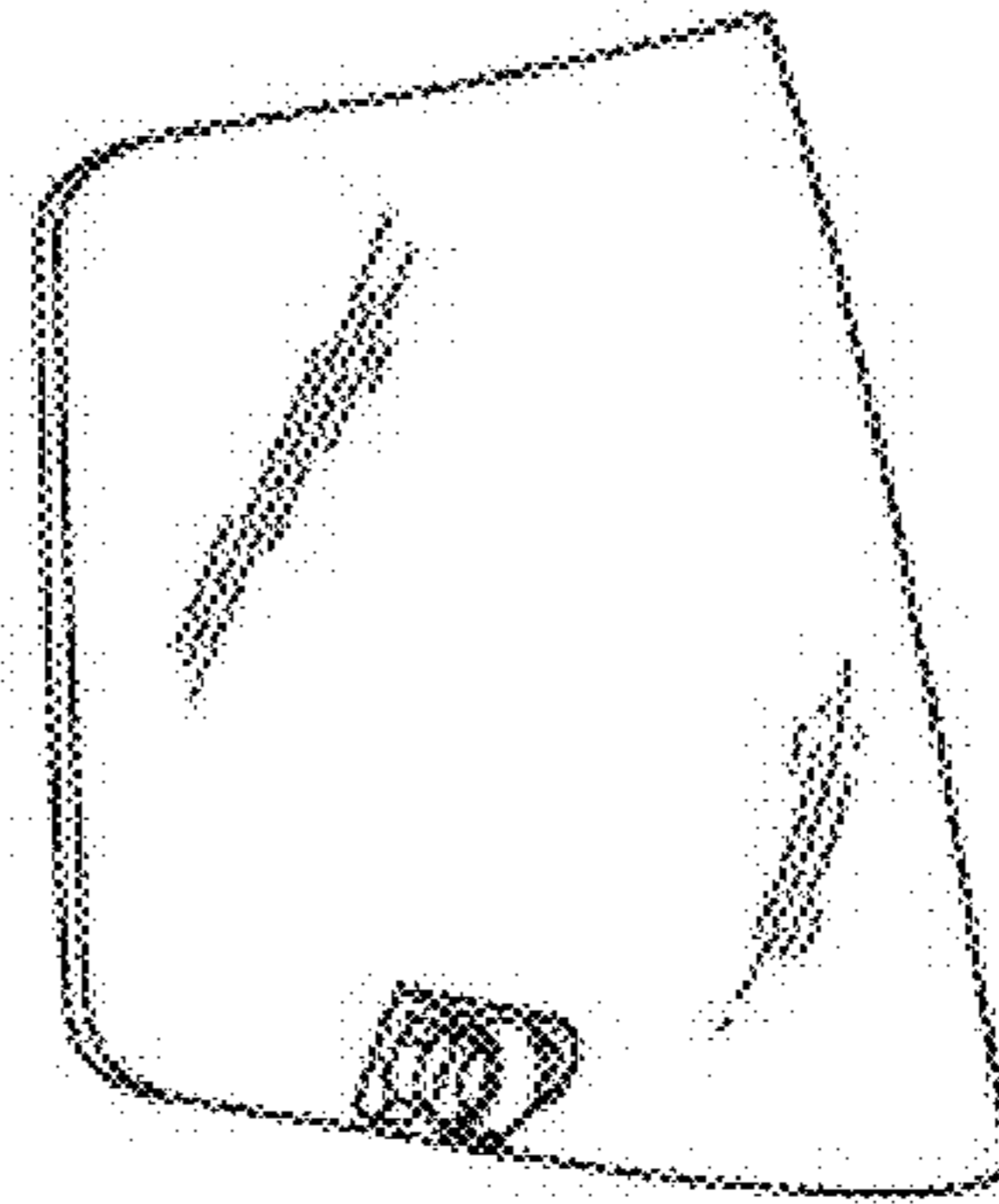


FIG. 13

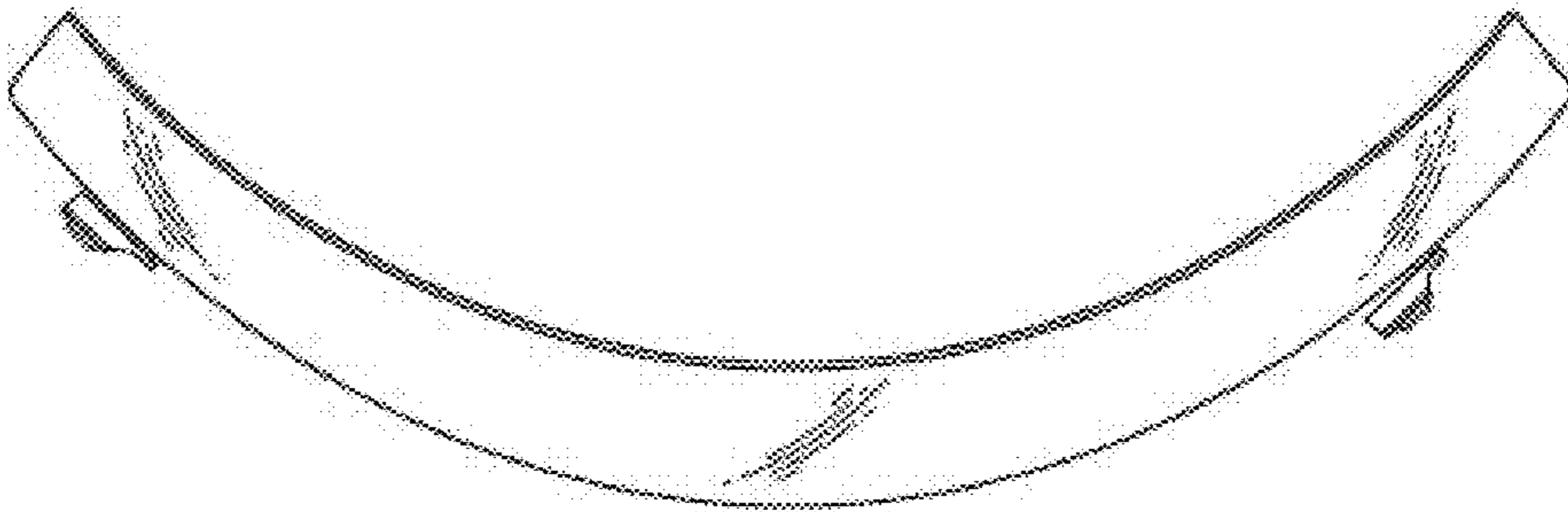


FIG. 14

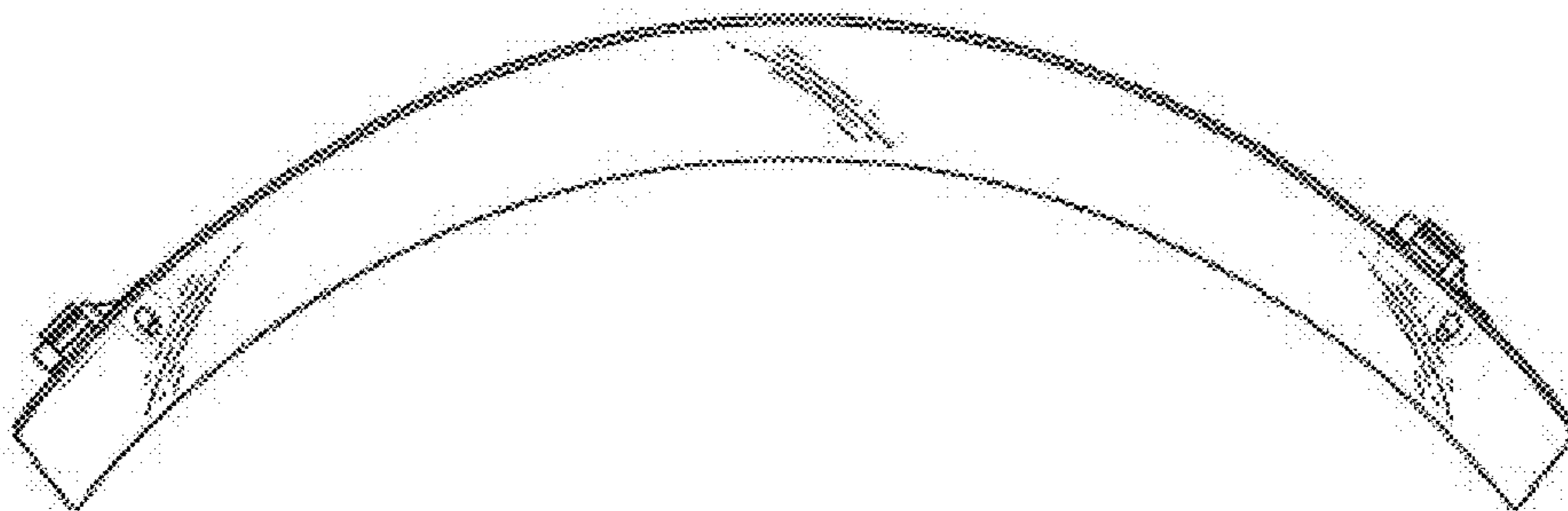


FIG. 15

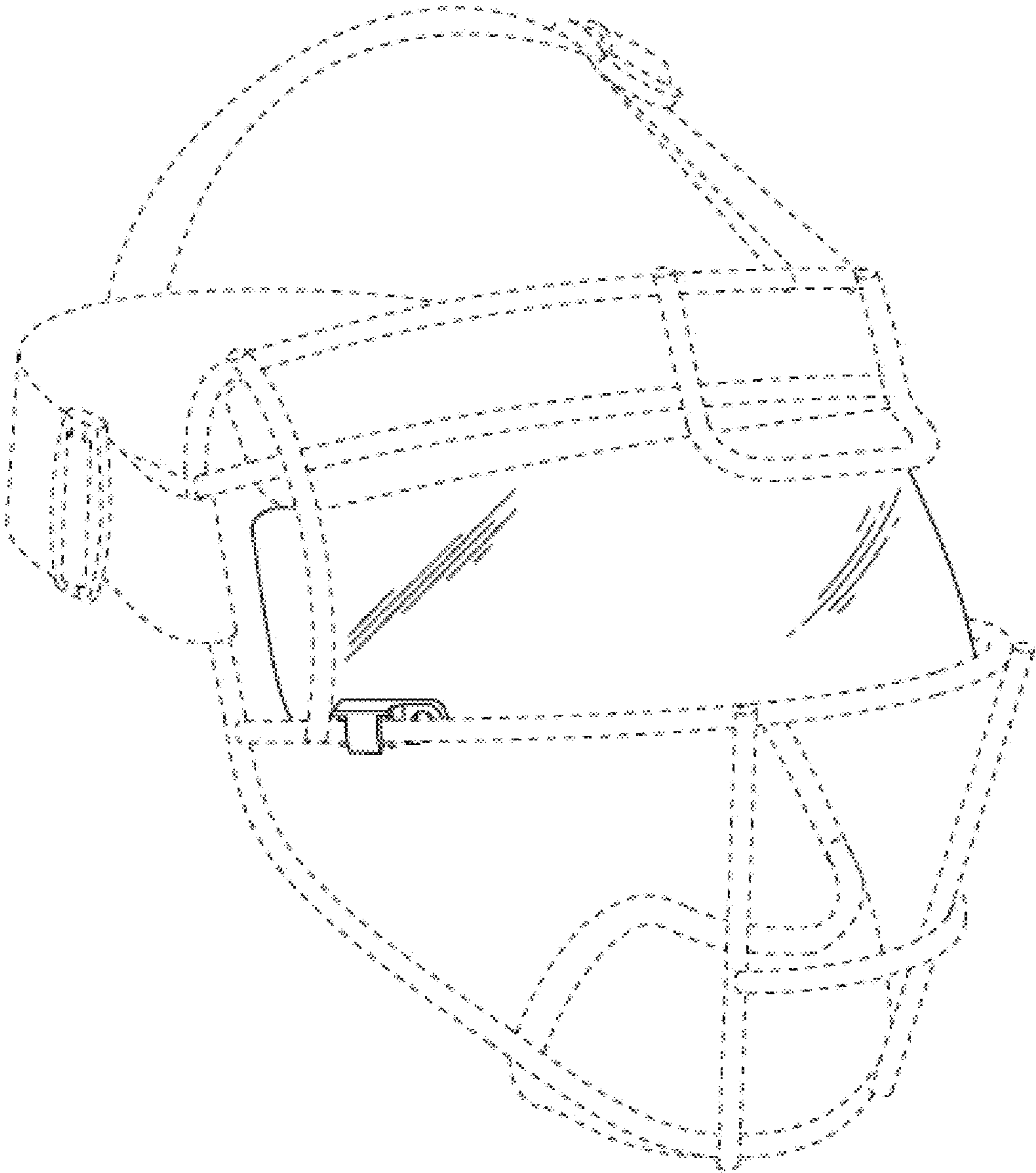


FIG. 16