



US00D893830S

(12) **United States Design Patent**  
**Scott et al.**

(10) **Patent No.:** **US D893,830 S**

(45) **Date of Patent:** **\*\* Aug. 25, 2020**

(54) **BELT**  
(71) Applicant: **Brave Response Shooting, LLC**,  
Highland, UT (US)  
(72) Inventors: **Brandon R. Scott**, American Fork, UT  
(US); **Daenen Scott**, Saratoga Springs,  
UT (US); **Joseph Mecham**, Springville,  
UT (US)

(73) Assignee: **Brave Response Shooting, LLC**,  
Highland, UT (US)

(\*\*) Term: **15 Years**

(21) Appl. No.: **29/669,699**

(22) Filed: **Nov. 9, 2018**

(51) **LOC (12) Cl.** ..... **02-07**

(52) **U.S. Cl.**  
USPC ..... **D2/629**

(58) **Field of Classification Search**  
USPC ..... D2/500, 624–629, 631, 639, 959;  
D3/224, 226; D11/3, 5; D21/662, 692;  
D24/190; D29/101.1, 101.3, 101.5;  
D30/152  
CPC .. A41F 9/002; A44C 5/0053; A45F 2003/006;  
B60R 2022/06; B60R 22/00  
See application file for complete search history.

(56) **References Cited**

U.S. PATENT DOCUMENTS

2,538,265 A \* 1/1951 Paston ..... A44C 5/0053  
224/176  
3,099,331 A \* 7/1963 Rose ..... A47L 3/04  
182/3  
5,432,951 A \* 7/1995 Yewer, Jr. .... A41F 9/002  
139/384 R  
6,637,429 B2 \* 10/2003 Mundrick ..... A61F 5/03  
128/845

D610,799 S \* 3/2010 Masse ..... A41F 9/002  
D3/224  
D716,543 S \* 11/2014 McMullen ..... D3/224  
D724,316 S \* 3/2015 Nejjar ..... D3/226  
D740,549 S \* 10/2015 Nejjar ..... D3/226  
9,339,102 B2 \* 5/2016 Iosilevich ..... F41C 33/046  
D769,614 S \* 10/2016 Nejjar ..... D3/226  
D783,273 S \* 4/2017 Kanner ..... D3/226  
D787,754 S \* 5/2017 Alexander ..... D30/152  
D809,288 S \* 2/2018 Preseren ..... A61F 5/03  
D3/224  
D815,390 S \* 4/2018 Adrianse ..... A44C 5/0053  
D2/627

(Continued)

*Primary Examiner* — Kevin K Rudzinski

*Assistant Examiner* — Clare Ann Gannon

(74) *Attorney, Agent, or Firm* — Durham Jones &  
Pinegar, P.C., Intellectual Property Law Group

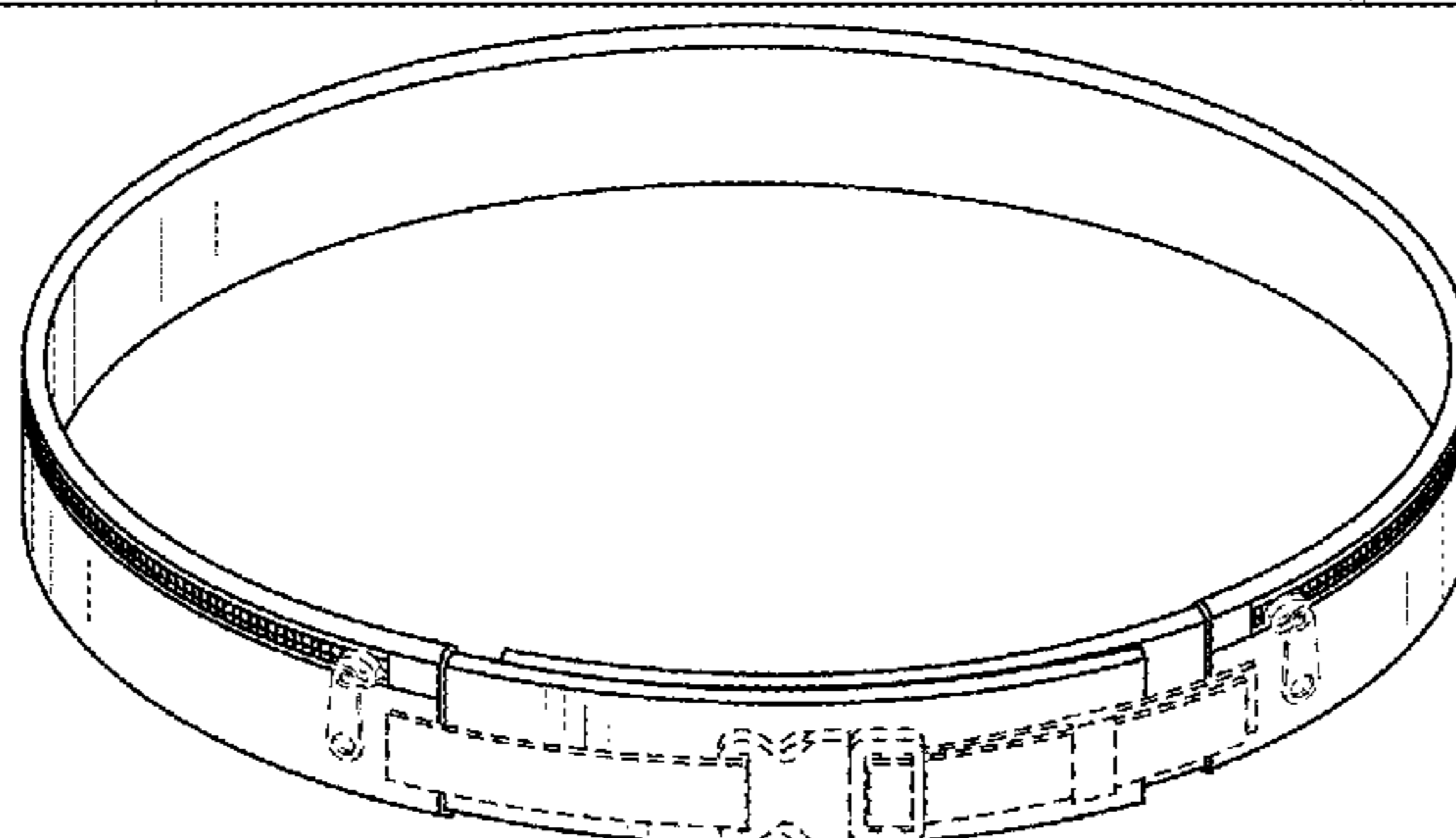
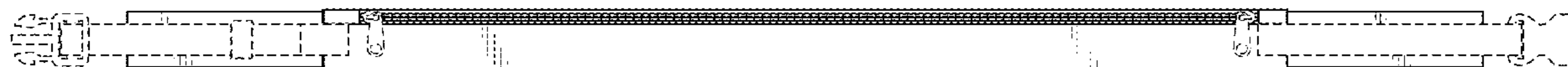
(57) **CLAIM**

The ornamental design for a belt, as shown and described.

**DESCRIPTION**

FIG. 1 is a front elevational view of a belt, showing our new design;  
FIG. 2 is a rear elevational view thereof;  
FIG. 3 is a top edge view thereof;  
FIG. 4 is a bottom plan view thereof;  
FIG. 5 is a right side view thereof;  
FIG. 6 is a left side view thereof;  
FIG. 7 is a perspective view of the belt in a looped configuration,  
FIG. 8 is a top plan view thereof;  
FIG. 9 is a bottom plan view thereof;  
FIG. 10 is a front elevational view thereof;  
FIG. 11 is a rear elevational view thereof;  
FIG. 12 is a left side elevational view thereof; and,  
FIG. 13 is a right side elevational view thereof.  
The broken lines illustrate features of the belt that form no part of the claimed design.

**1 Claim, 3 Drawing Sheets**



(56)

**References Cited**

U.S. PATENT DOCUMENTS

D818,667 S \* 5/2018 Pelengaris ..... F41C 33/046  
D2/627  
D839,591 S \* 2/2019 Yamanaka ..... D3/226  
D872,969 S \* 1/2020 Stewart ..... D2/629  
2002/0170105 A1\* 11/2002 Koene ..... A41F 9/002  
2/338  
2013/0191970 A1\* 8/2013 Foreman ..... A41F 9/002  
2/300

\* cited by examiner

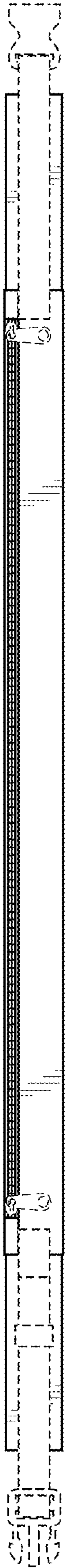


FIG. 1



FIG. 2



FIG. 3

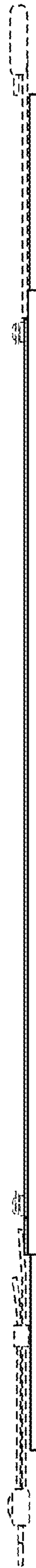


FIG. 4



FIG. 5

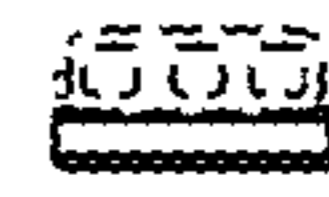
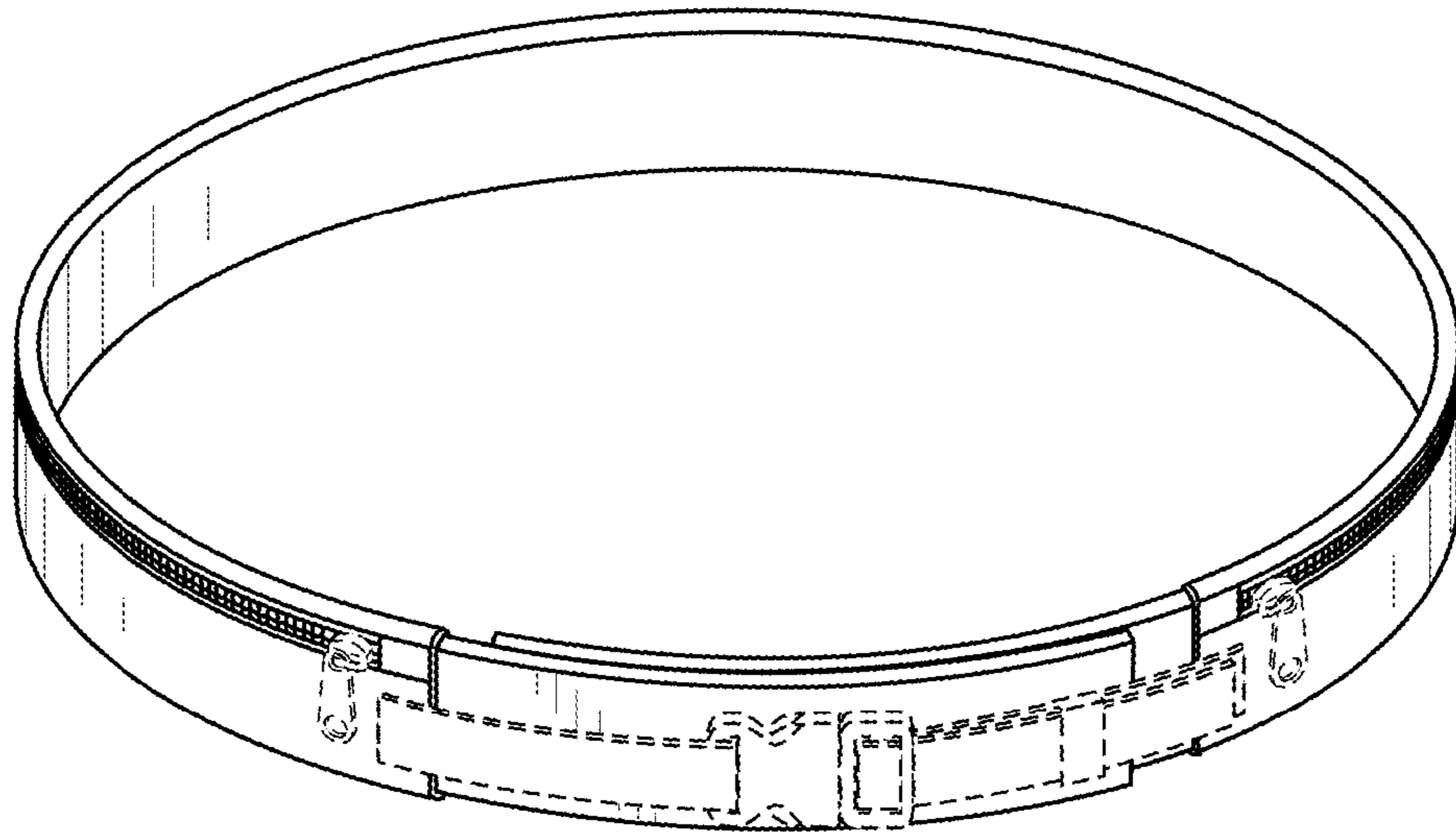
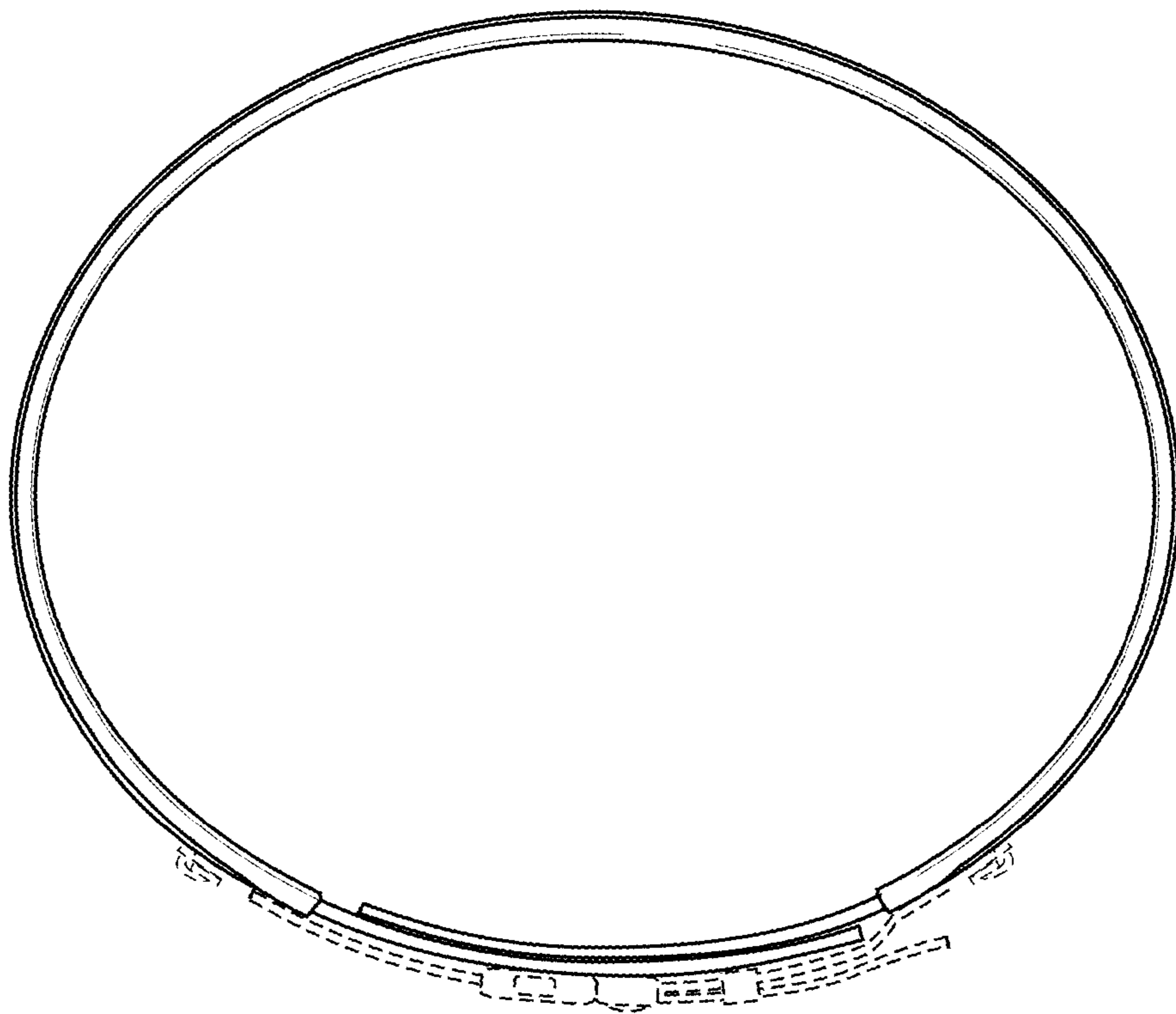


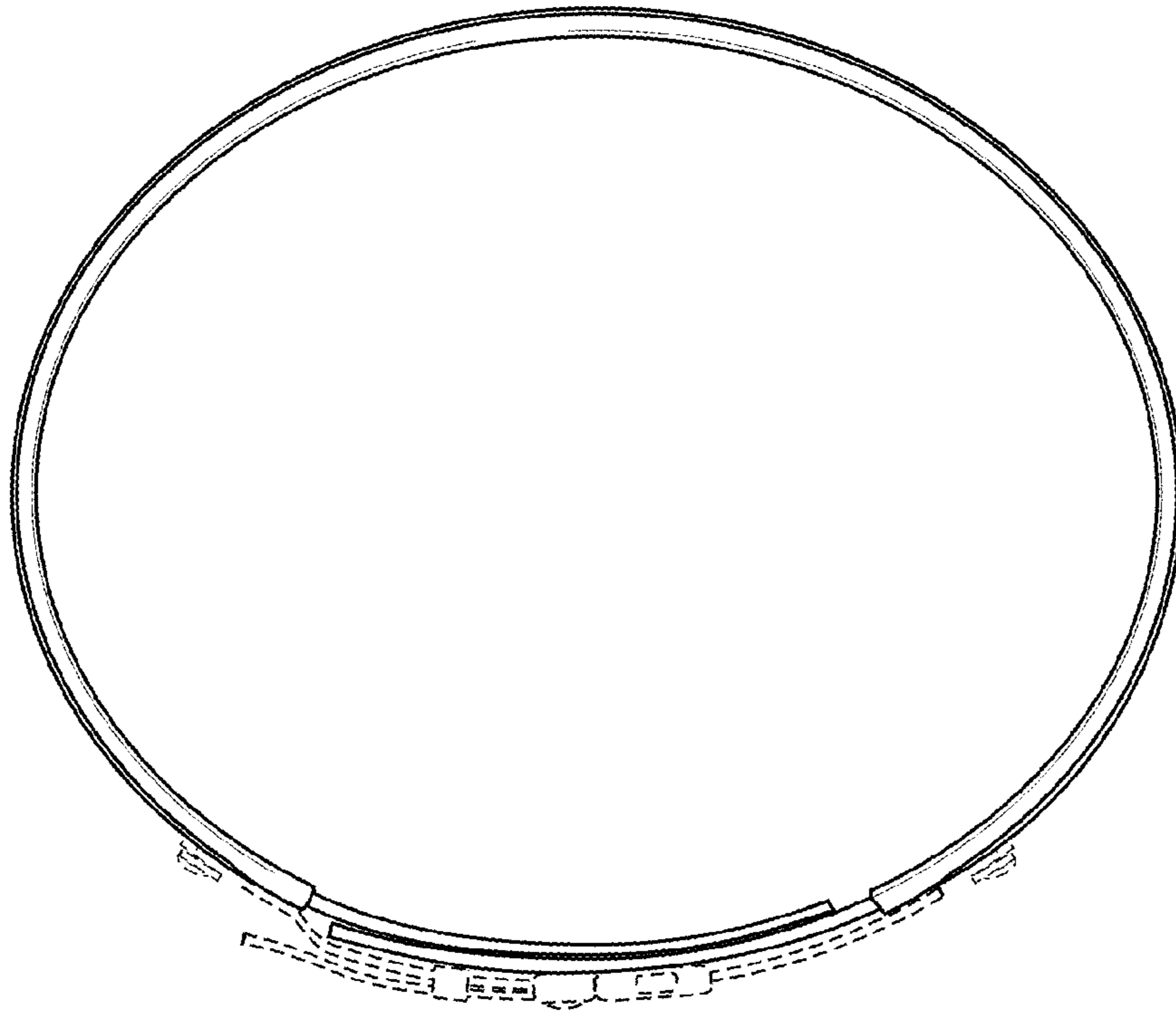
FIG. 6



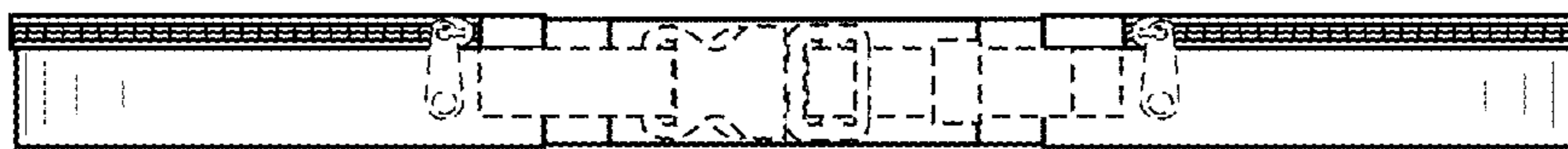
**FIG. 7**



**FIG. 8**



**FIG. 9**



**FIG. 10**



**FIG. 11**



**FIG. 12**



**FIG. 13**