



US00D893824S

(12) **United States Design Patent** (10) **Patent No.:** **US D893,824 S**  
**Heck et al.** (45) **Date of Patent:** **\*\* Aug. 18, 2020**

(54) **TROLLEY**

(71) Applicant: **Ocado Innovation Limited**, Hatfield, Herts (GB)

(72) Inventors: **Ashley Heck**, Hatfield (GB); **Megan Godwin**, Hatfield (GB); **Arash Sepahi**, Hatfield (GB)

(73) Assignee: **OCADO INNOVATION LIMITED**, Hatfield, Herts (GB)

(\*\*) Term: **15 Years**

(21) Appl. No.: **29/680,051**

(22) Filed: **Feb. 13, 2019**

(30) **Foreign Application Priority Data**

Aug. 13, 2018 (GB) ..... 6041348

(51) **LOC (12) Cl.** ..... **12-02**

(52) **U.S. Cl.**  
USPC ..... **D34/21**

(58) **Field of Classification Search**  
USPC ..... D34/12, 16, 17, 19-27; 280/79.2, 79.5, 280/79.3, 43.17, 30, 5.32, 651, 47.35, 280/47.26; D6/515  
CPC .. B62B 3/02; B62B 1/12; B62B 3/005; B62B 2205/006; B62B 1/00; A47F 5/0056; A47F 5/13

See application file for complete search history.

(56) **References Cited**

U.S. PATENT DOCUMENTS

D383,336 S *	9/1997	Van Der Merwe .....	D34/21
D406,217 S *	3/1999	Campbell .....	D34/24
D707,913 S *	6/2014	Gonzalez .....	D34/21
D827,971 S *	9/2018	Stubbs, II .....	D34/21
D858,925 S *	9/2019	Sukhov .....	D34/12
D858,926 S *	9/2019	Sukhov .....	D34/12
10,486,724 B2 *	11/2019	Dardashti .....	B62B 3/022

\* cited by examiner

*Primary Examiner* — Gino Colan

(74) *Attorney, Agent, or Firm* — Buchanan Ingersoll & Rooney PC

(57) **CLAIM**

The ornamental design for a trolley, as shown and described.

**DESCRIPTION**

FIG. 1 is a front, right perspective view of a trolley showing our new design;  
FIG. 2 is a rear, left perspective view thereof;  
FIG. 3 is a front elevational view thereof;  
FIG. 4 is a rear elevational view thereof;  
FIG. 5 is a right side elevational view thereof;  
FIG. 6 is a left side elevational view thereof;  
FIG. 7 is a top plan view thereof; and,  
FIG. 8 is a bottom plan view thereof.

**1 Claim, 8 Drawing Sheets**

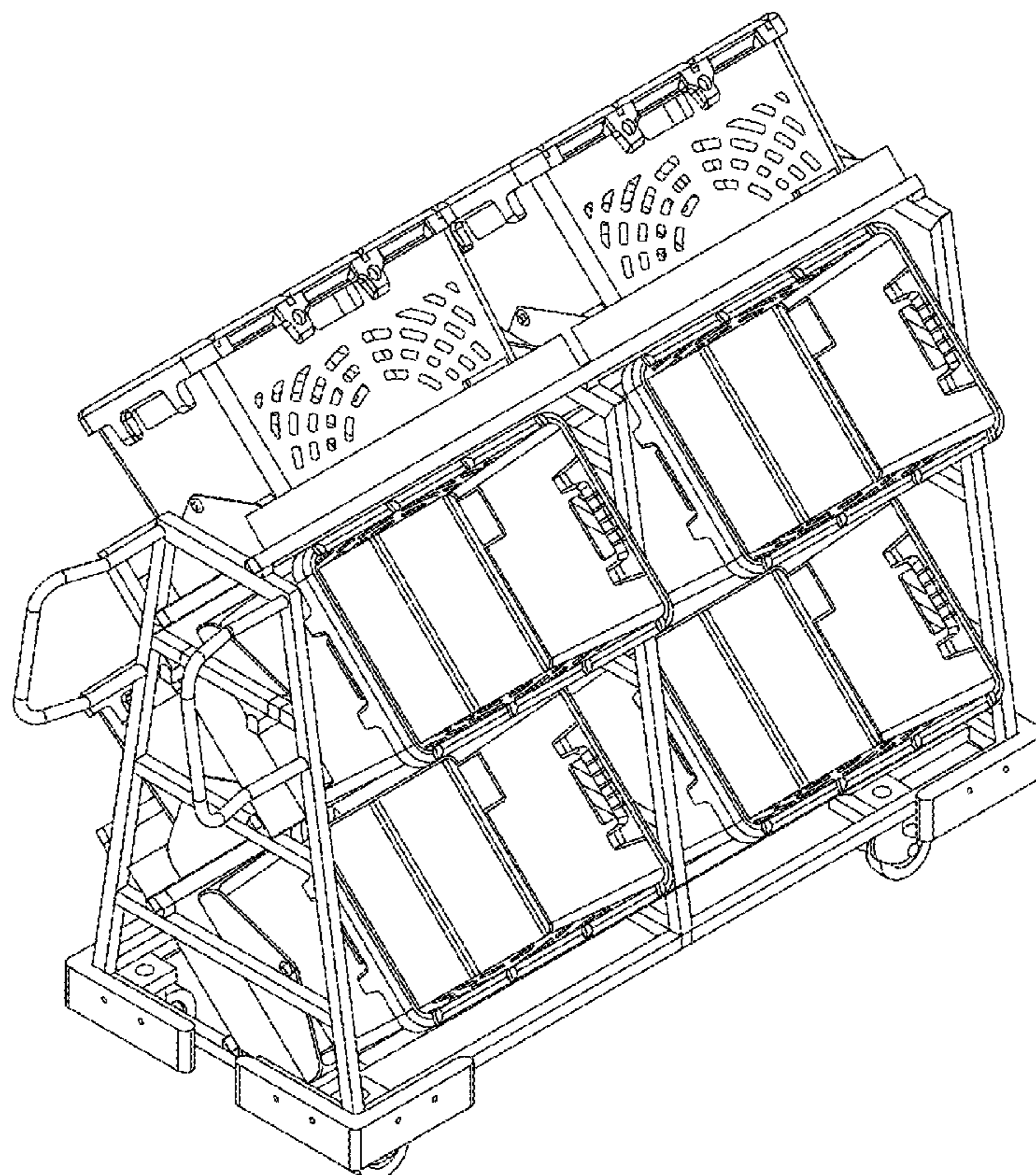
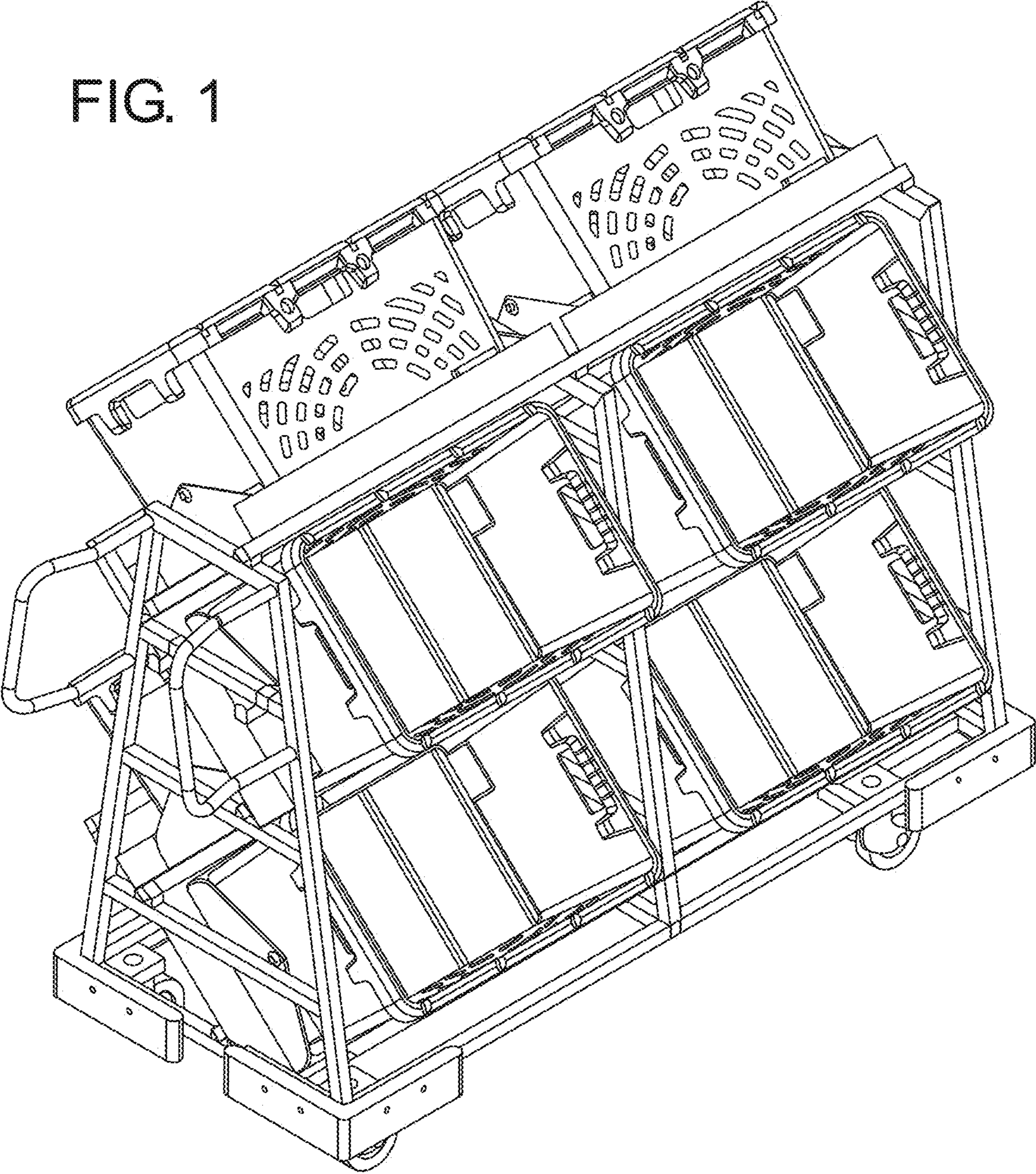


FIG. 1



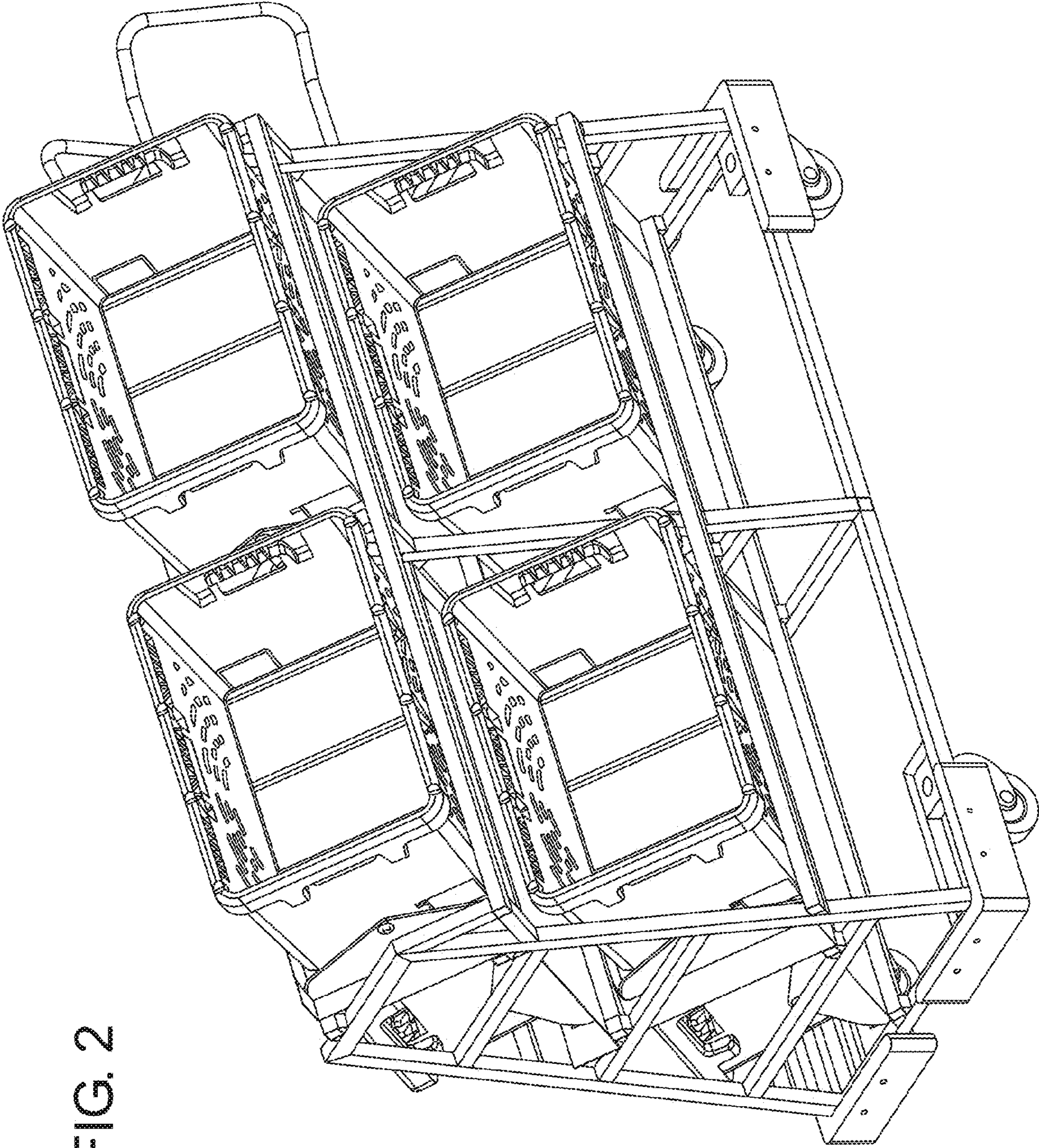


FIG. 2

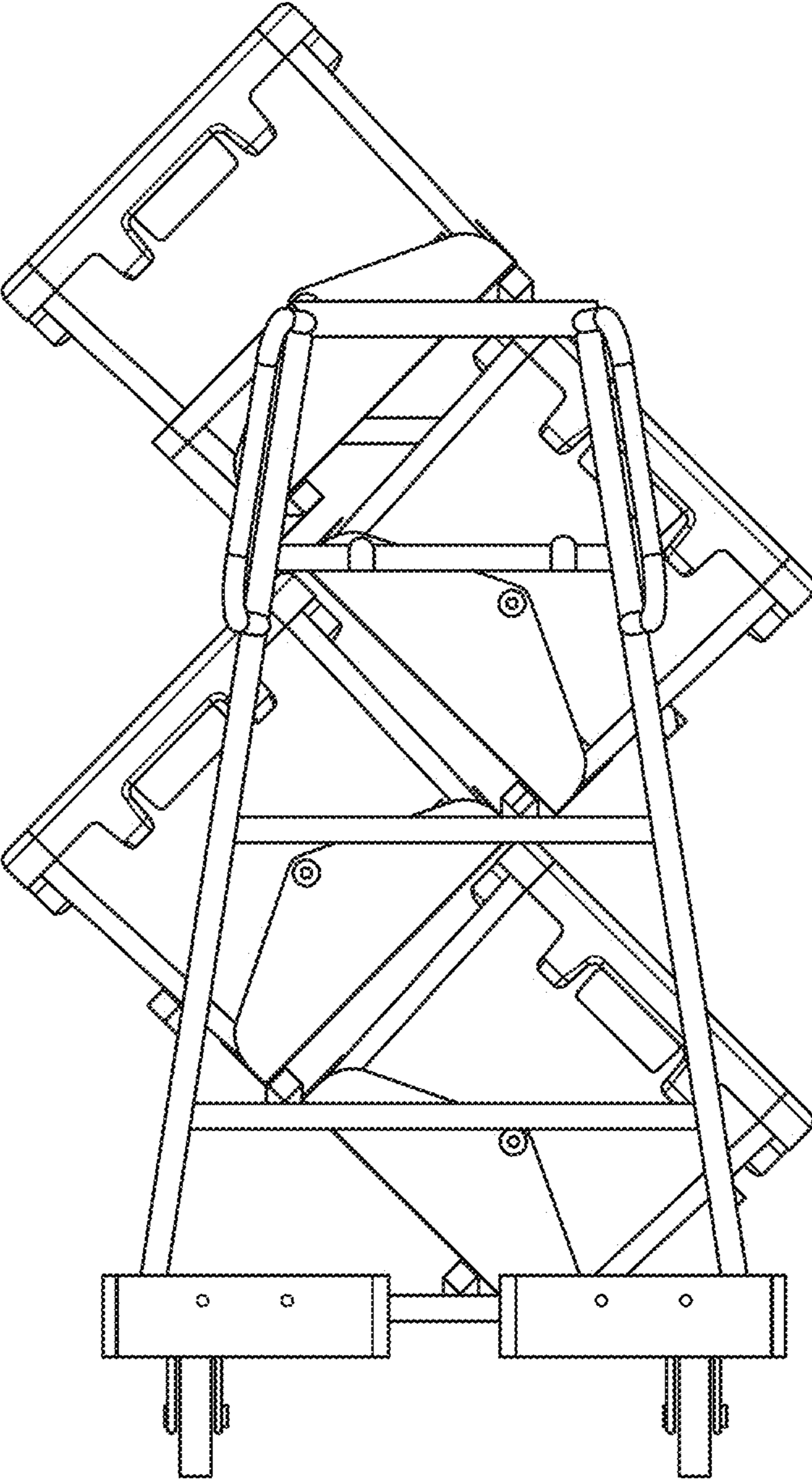


FIG. 3

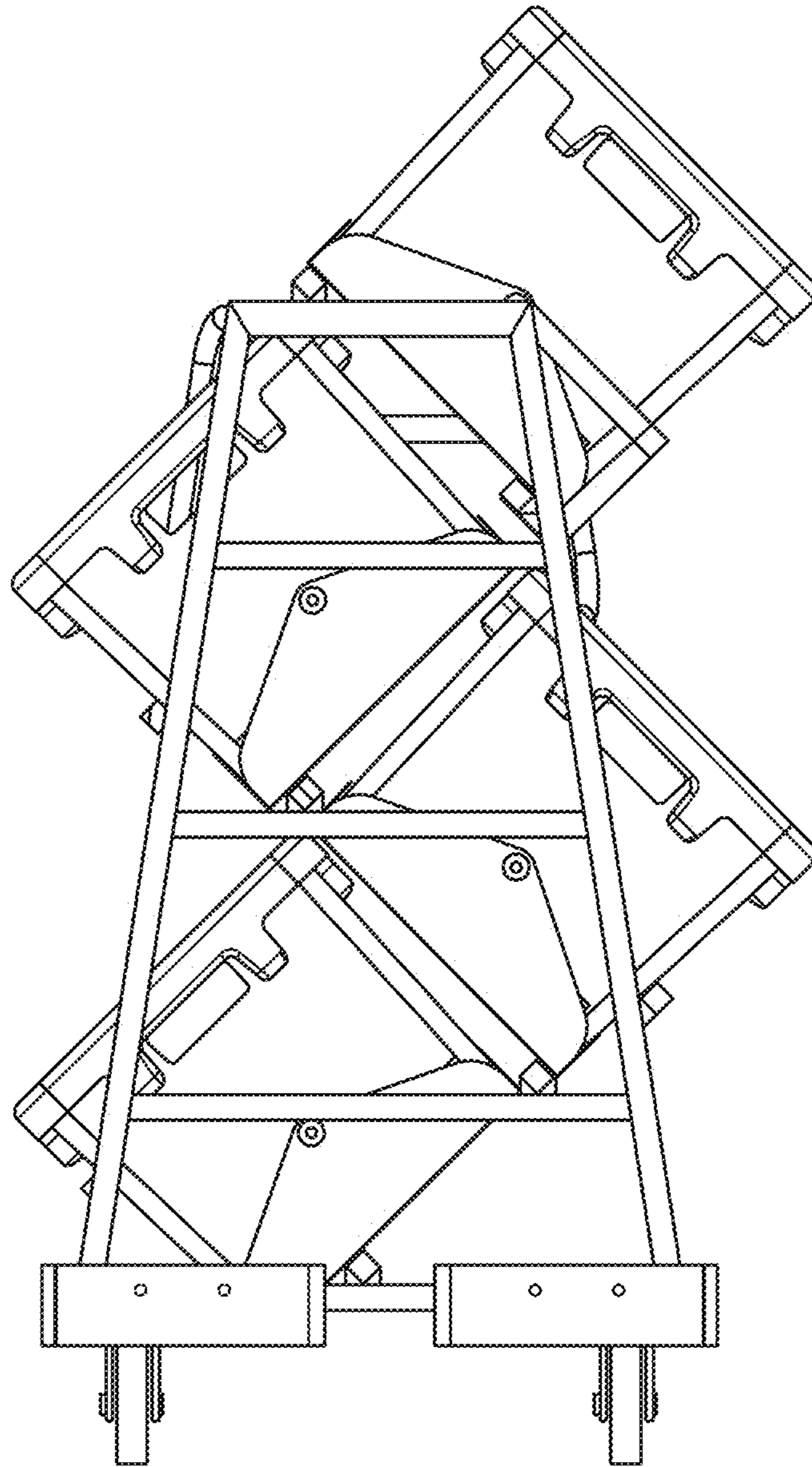
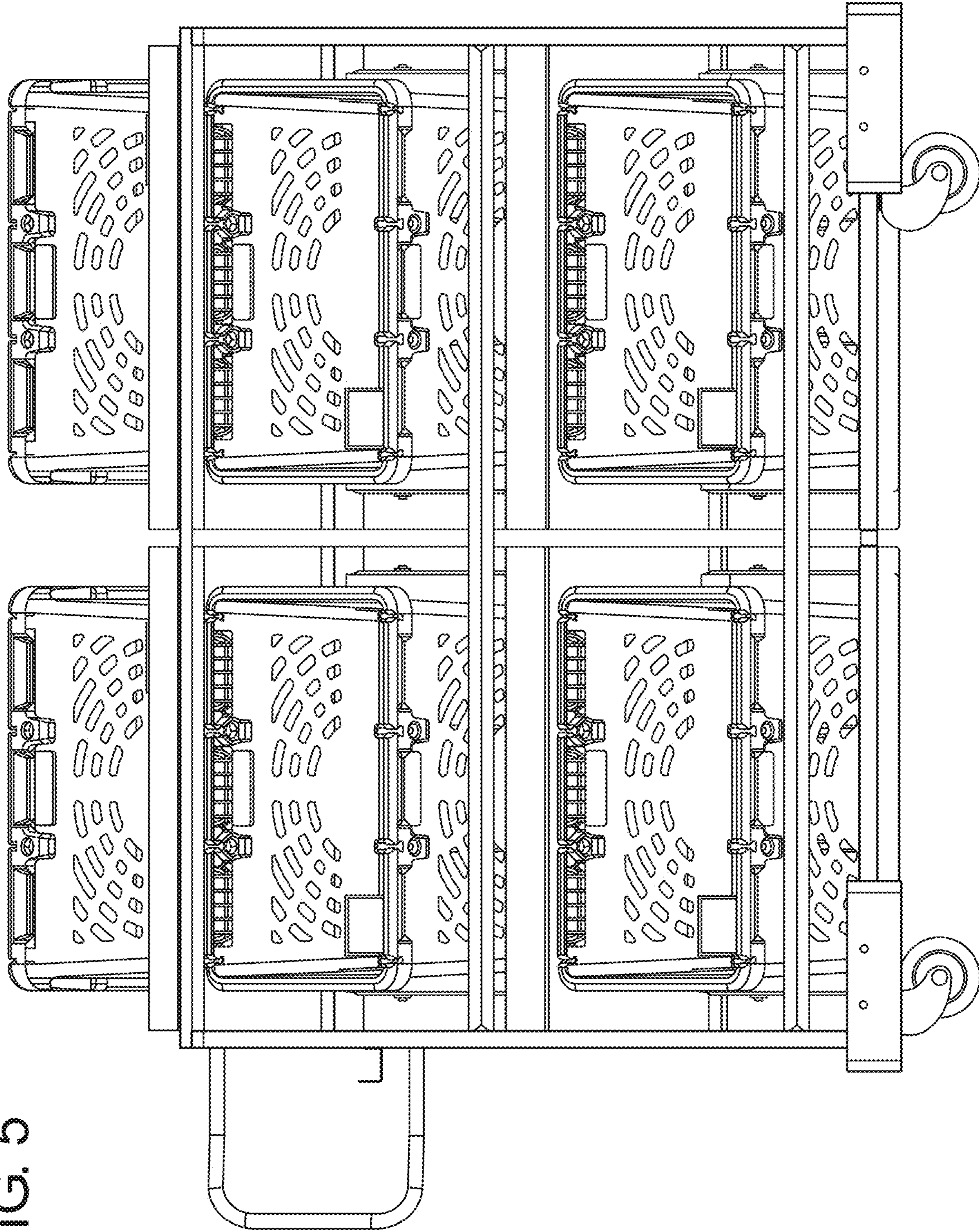


FIG. 4

FIG. 5



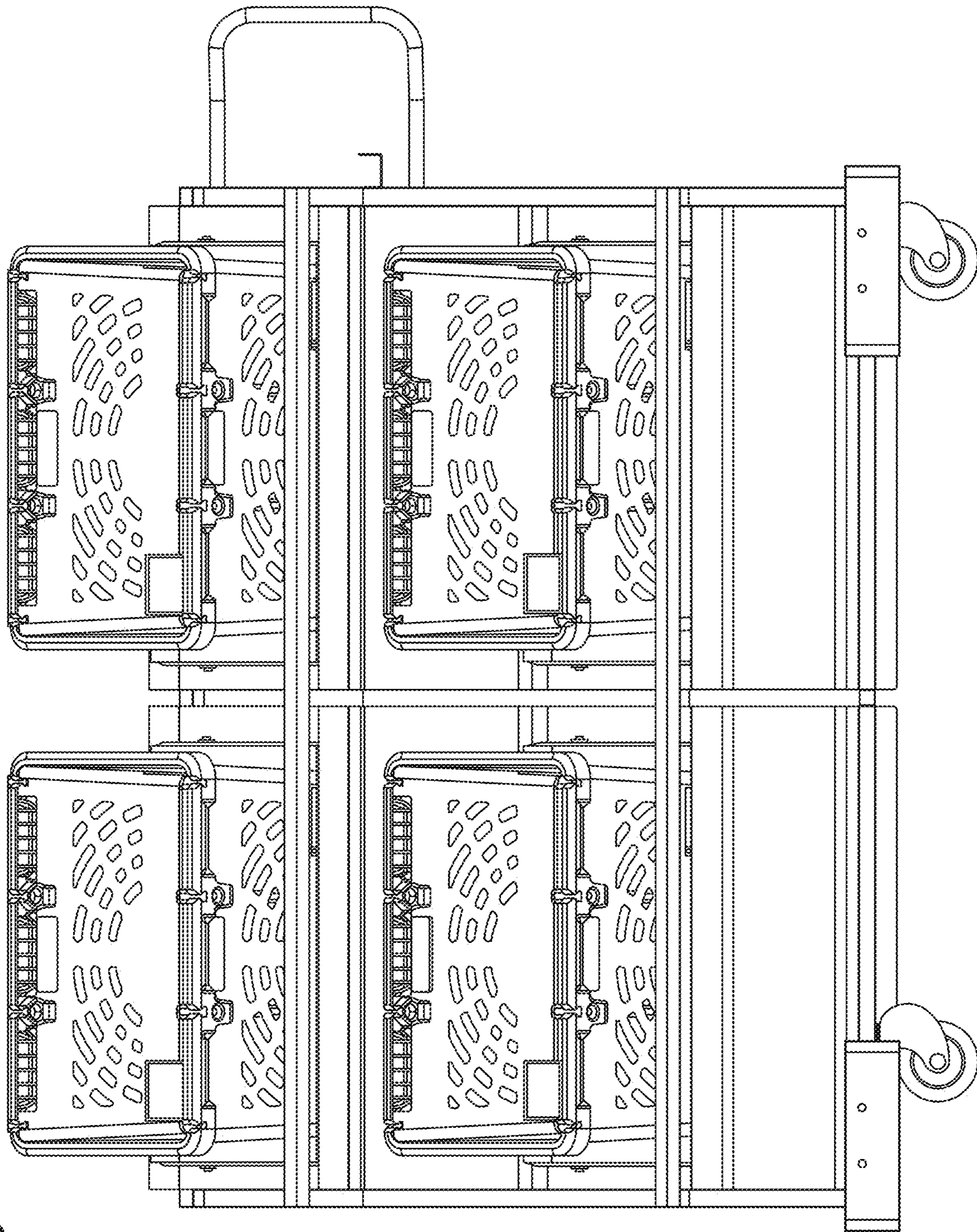


FIG. 6

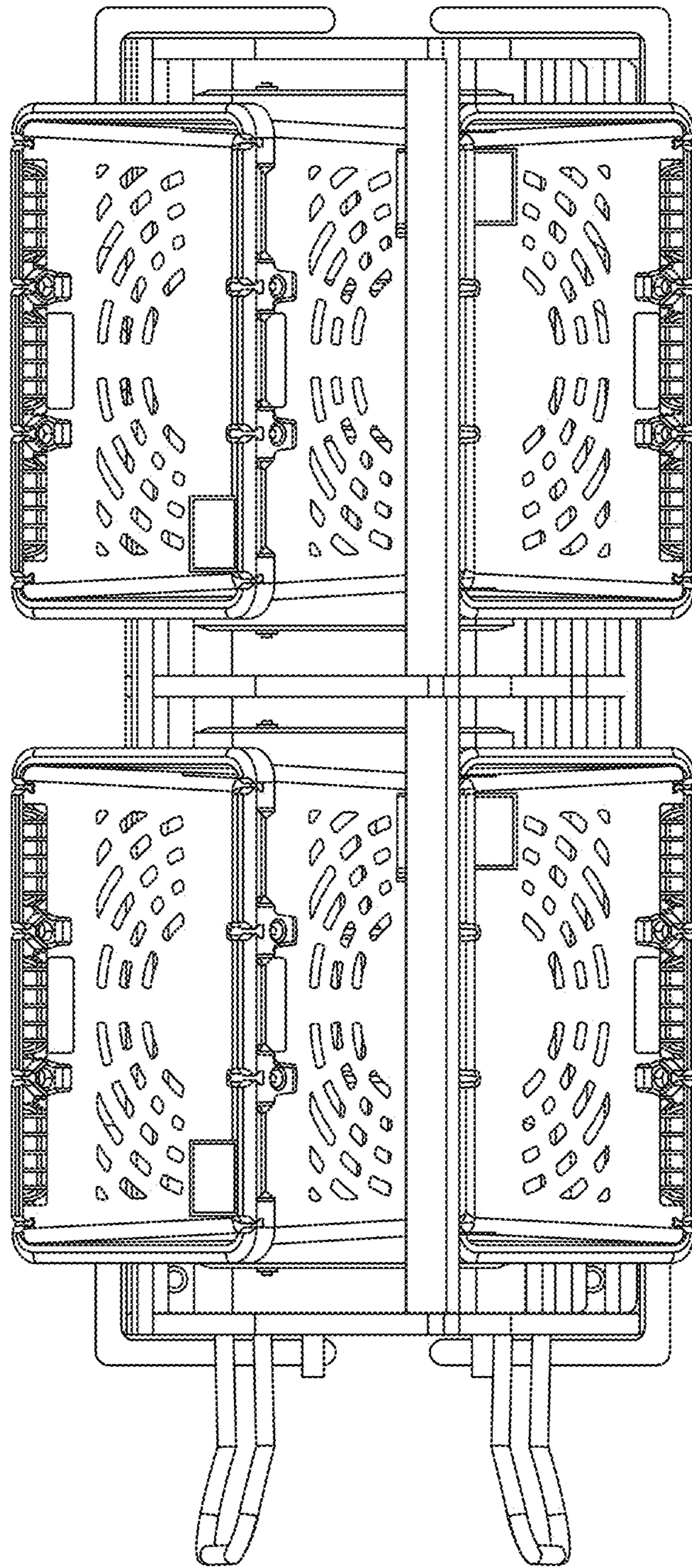


FIG. 7



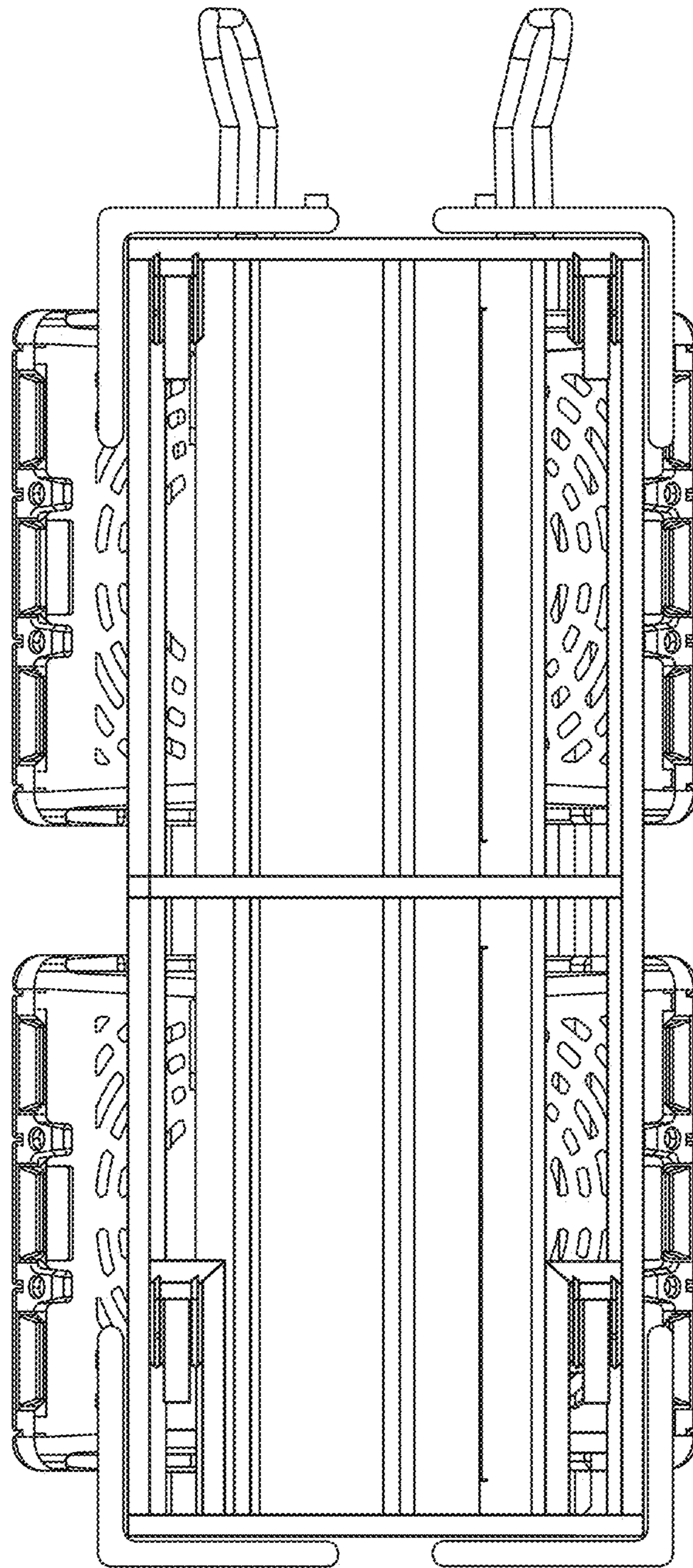


FIG. 8