



US00D893822S

(12) **United States Design Patent**
Ohirko

(10) **Patent No.:** **US D893,822 S**

(45) **Date of Patent:** **** Aug. 18, 2020**

(54) WAGON	5,484,150 A *	1/1996	Yasutomi	B60B 33/0002 211/182
(71) Applicant: Omiko International, LLC , Corona, CA (US)	5,779,252 A *	7/1998	Bolton, Jr.	B62B 3/02 280/35
(72) Inventor: Mike Ohirko , Corona, CA (US)	6,488,304 B2 *	12/2002	Krawczyk	B62B 1/002 280/408
(73) Assignee: Omiko International, LLC , Corona, CA (US)	7,416,196 B2 *	8/2008	Brown	B62B 3/008 108/142
(**) Term: 15 Years	D618,422 S *	6/2010	Catron	D34/27
(21) Appl. No.: 29/725,873	7,784,816 B2 *	8/2010	Jian	B62B 3/02 280/38
(22) Filed: Feb. 27, 2020	8,282,111 B2 *	10/2012	Hailston	B62B 3/0618 280/43.12
	D787,770 S *	5/2017	Thuma	D34/17
	2010/0096820 A1 *	4/2010	Hailston	B62B 3/0618 280/47.11

* cited by examiner

Related U.S. Application Data

- (62) Division of application No. 29/615,153, filed on Aug. 25, 2017, now Pat. No. Des. 877,442.
- (51) **LOC (12) Cl.** **12-02**
- (52) **U.S. Cl.**
USPC **D34/17**
- (58) **Field of Classification Search**
USPC D34/12, 13, 16-22, 25-27; 280/659,
280/47.11, 79.11, 408, 33.996, 33.991,
280/39, 47.371, 79.3
CPC B62B 1/12; B62B 3/02; B62B 5/0438;
B62B 3/0606
See application file for complete search history.

Primary Examiner — Gino Colan

(74) *Attorney, Agent, or Firm* — Stradling, Yocca, Carlson & Rauth

(57) **CLAIM**

The ornamental design for a wagon, as shown and described.

DESCRIPTION

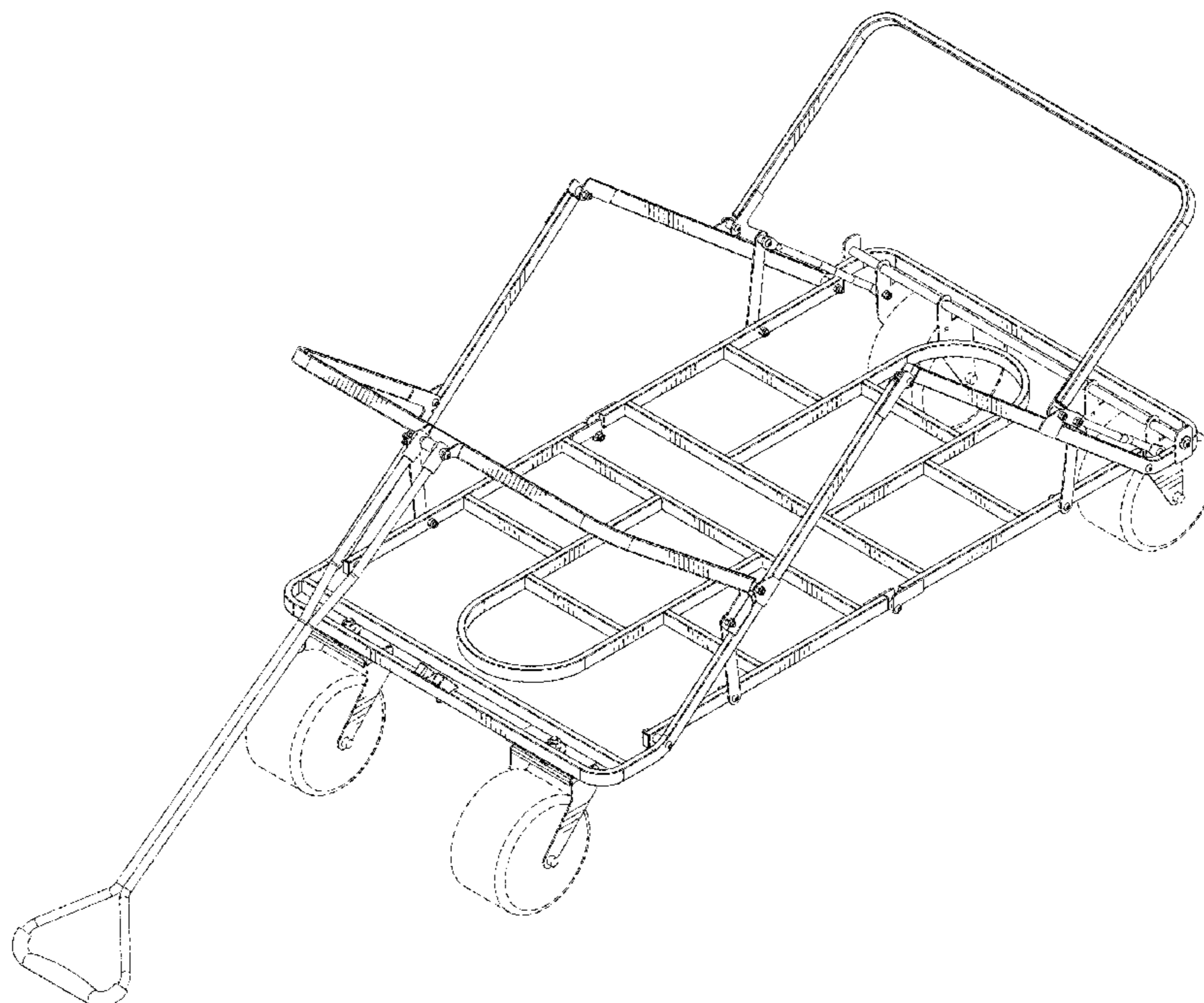
FIG. 1 is a top perspective view showing the top, front, and right sides of a wagon;
 FIG. 2 is a right side elevation view of the wagon;
 FIG. 3 is a left side elevation view of the wagon;
 FIG. 4 is a rear elevation view of the wagon;
 FIG. 5 is a front elevation view of the wagon;
 FIG. 6 is a top plan view of the wagon; and,
 FIG. 7 is a bottom plan view of the wagon.
 The broken lines in the drawings represent portions of the wagon that form no part of the claimed design.

1 Claim, 6 Drawing Sheets

(56) **References Cited**

U.S. PATENT DOCUMENTS

5,228,716 A *	7/1993	Dahl	B62B 1/002 280/47.18
5,476,282 A *	12/1995	Dahl	B62B 1/002 280/47.18



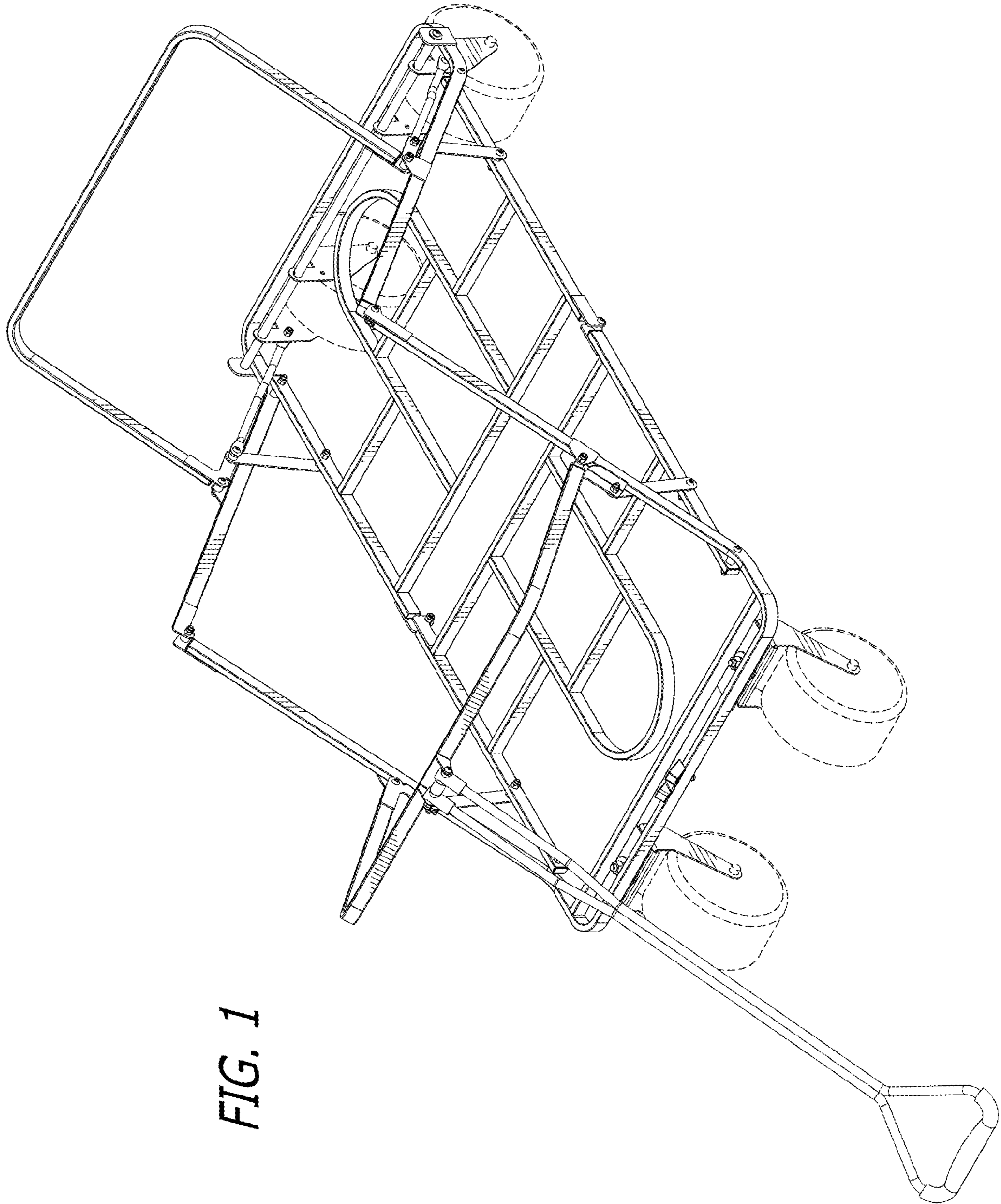


FIG. 1

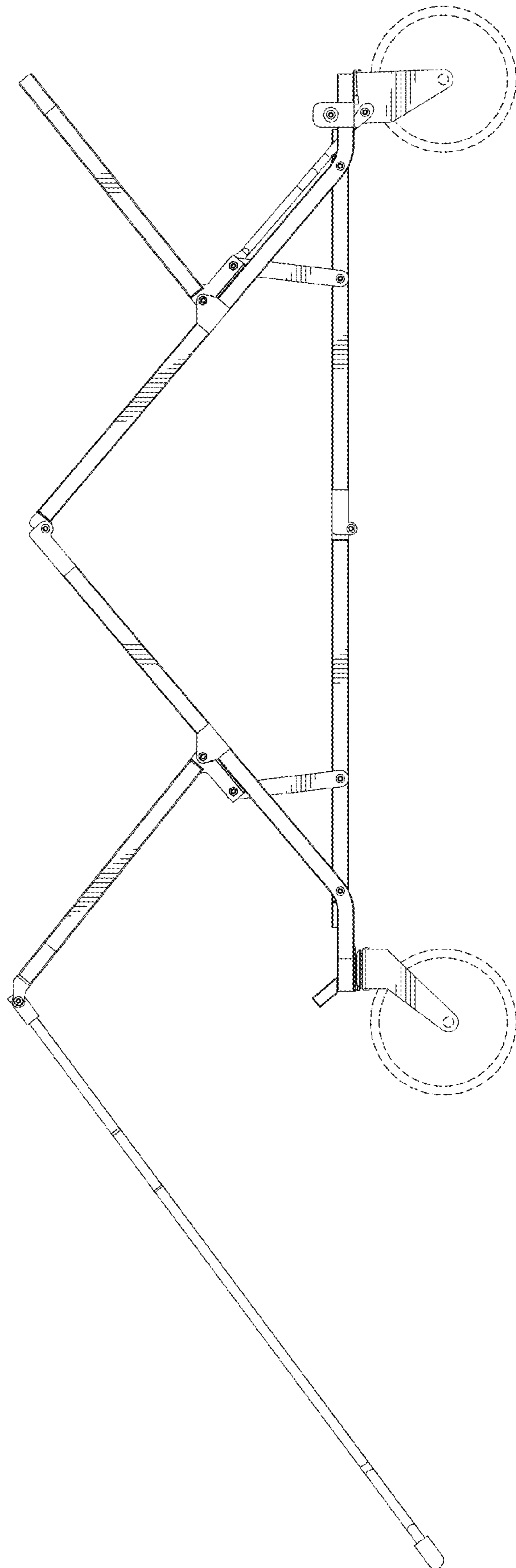


FIG. 2

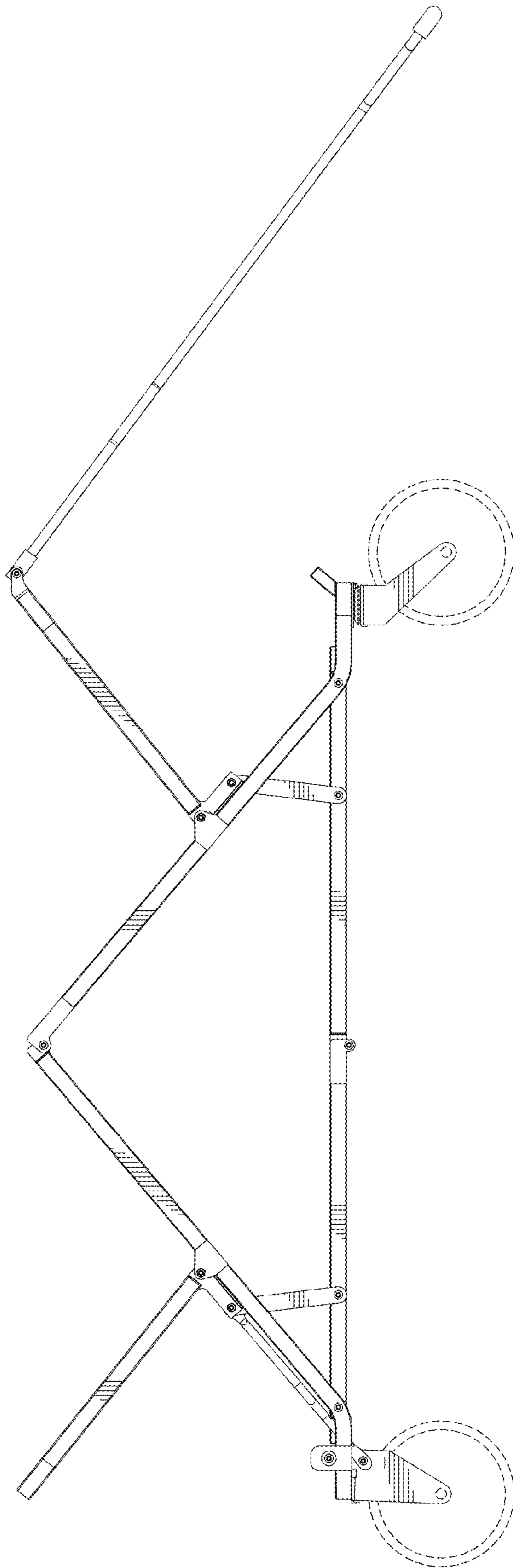


FIG. 3

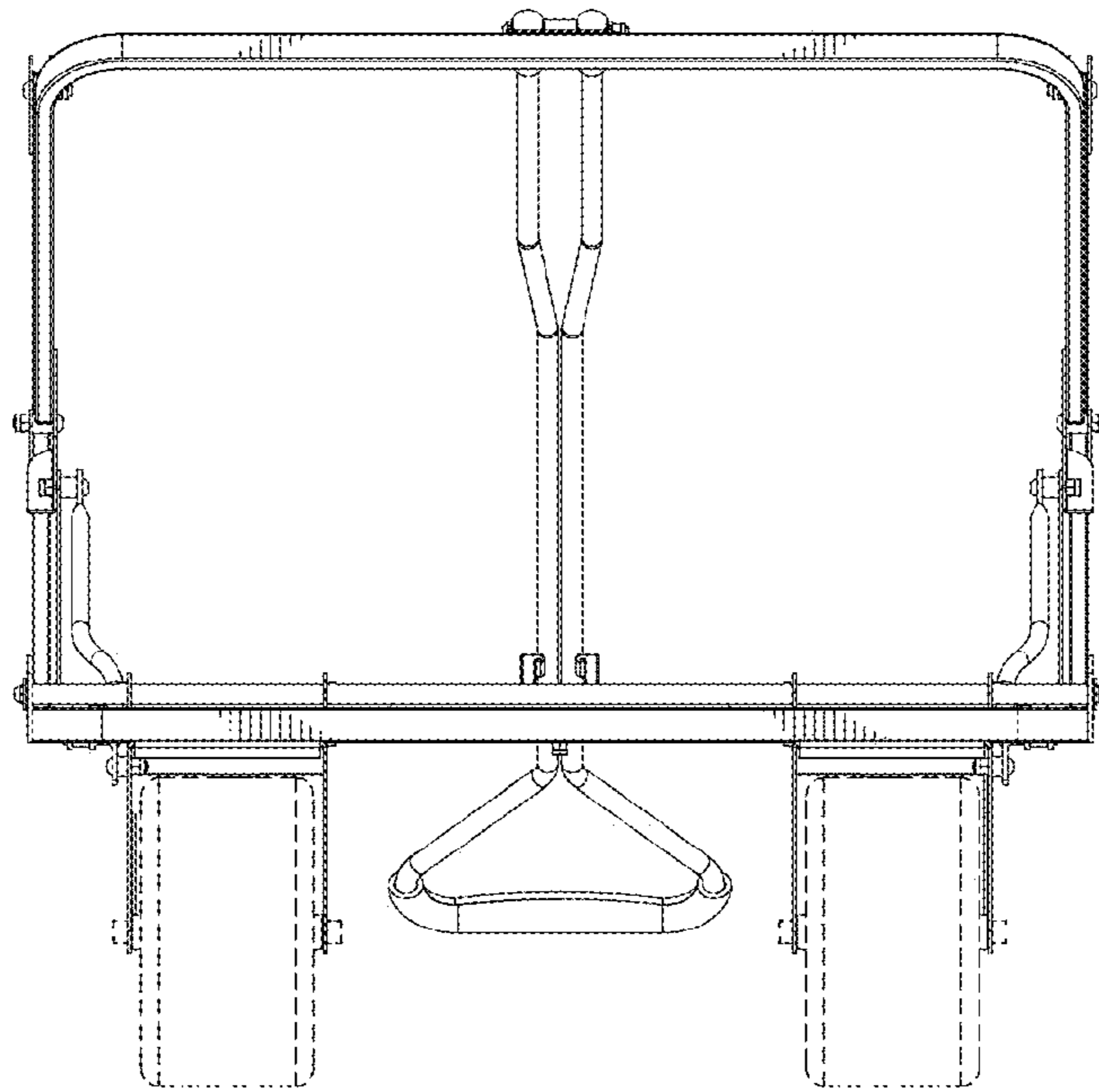


FIG. 4

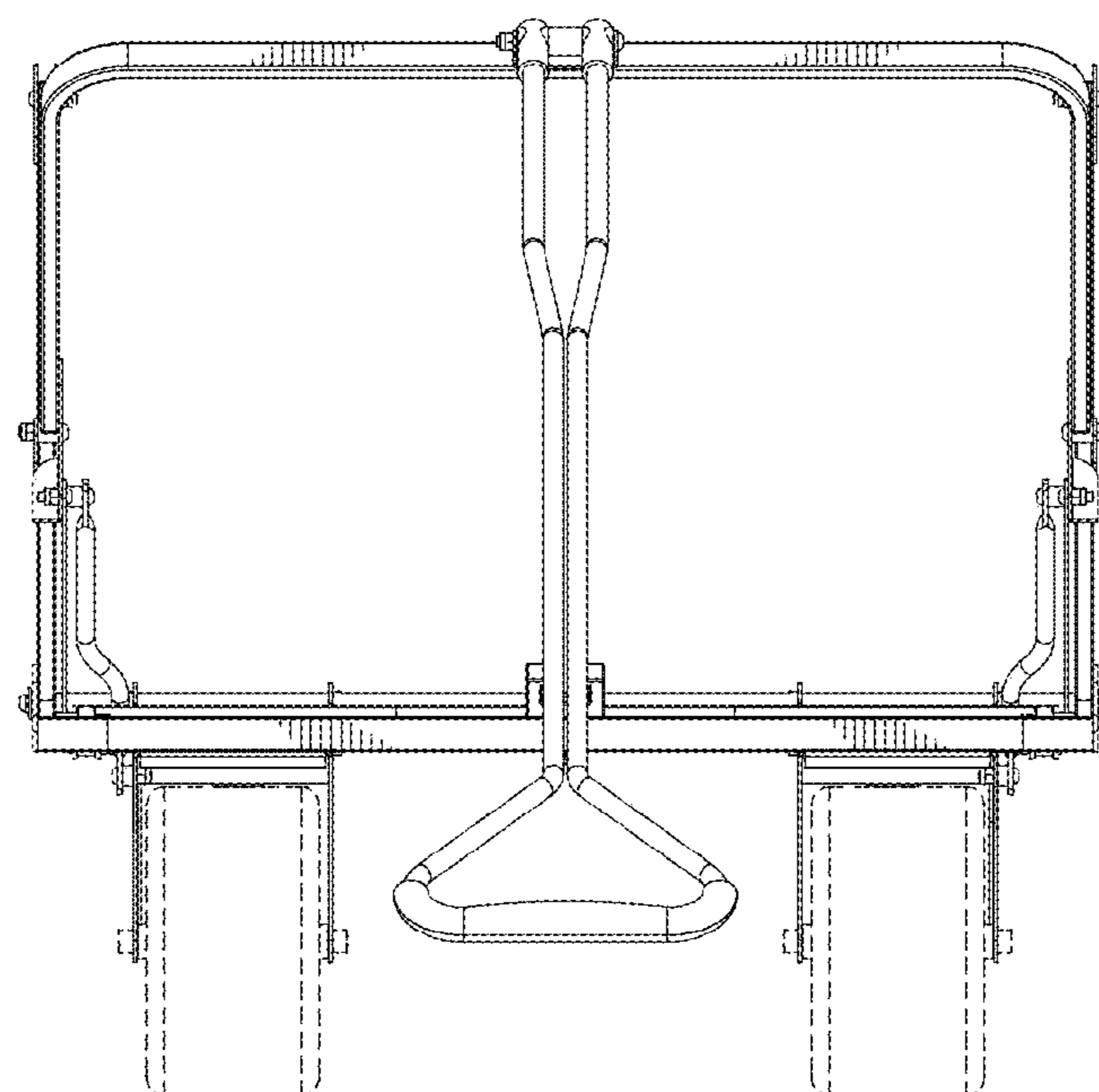


FIG. 5

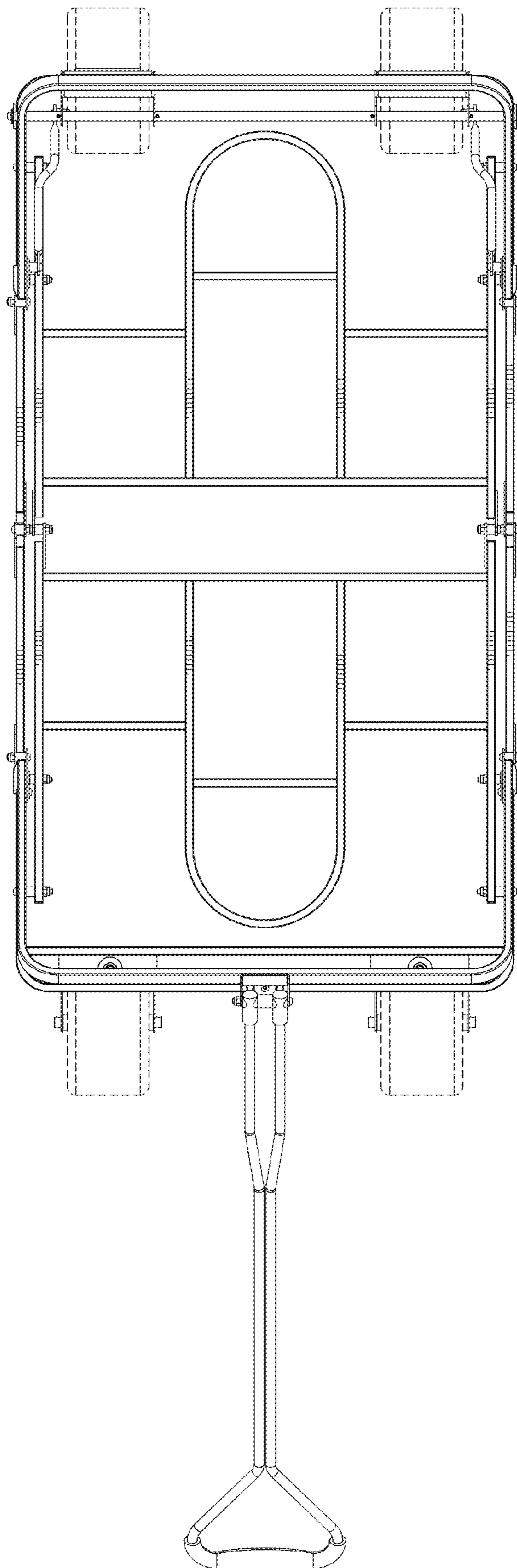


FIG. 6

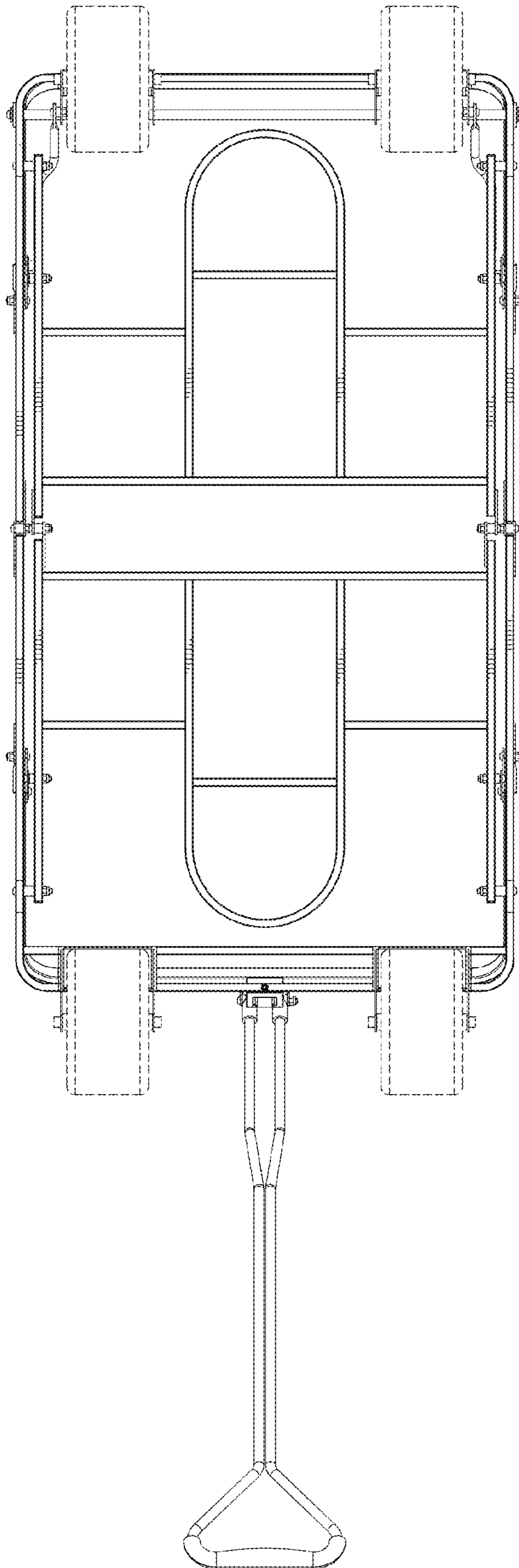


FIG. 7