



US00D893821S

(12) **United States Design Patent** (10) **Patent No.:** **US D893,821 S**
Magahy et al. (45) **Date of Patent:** **** Aug. 18, 2020**

(54) **SANITARY BIN**
(71) Applicant: **Woosh Washrooms**, Stockbridge (GB)
(72) Inventors: **John Magahy**, Stockbridge (GB);
Wayne Magahy, Stockbridge (GB)
(73) Assignee: **Woosh Washrooms**, Stockbridge (GB)

(**) Term: **15 Years**

(21) Appl. No.: **29/612,608**

(22) Filed: **Aug. 2, 2017**

(51) **LOC (12) Cl.** **09-09**

(52) **U.S. Cl.**
USPC **D34/7**

(58) **Field of Classification Search**
USPC D34/1-11; 220/662, 23.83, 263, 324,
220/908
CPC B65F 2230/134; B65F 1/002; B65F 7/00;
B65F 1/08; B65F 1/1607; B62B 2202/20;
B62B 5/0433; B65D 3/06; B65D
2543/00092
See application file for complete search history.

(56) **References Cited**

U.S. PATENT DOCUMENTS

5,082,132 A * 1/1992 Tsai B65F 1/0066
220/908
D416,658 S * 11/1999 Houry D34/1
D448,535 S * 9/2001 Delmerico D34/1

D473,361 S * 4/2003 Englert D34/7
D485,405 S * 1/2004 Vize D34/7
D539,497 S * 3/2007 Fankhauser D34/7
D578,721 S * 10/2008 Neuhaus D34/7
D584,872 S * 1/2009 Fankhauser D34/7
7,798,358 B2 * 9/2010 Butler B65F 1/10
220/345.1
D828,669 S * 9/2018 Busch D34/7

* cited by examiner

Primary Examiner — Gino Colan

(74) *Attorney, Agent, or Firm* — Shumaker & Sieffert,
P.A.

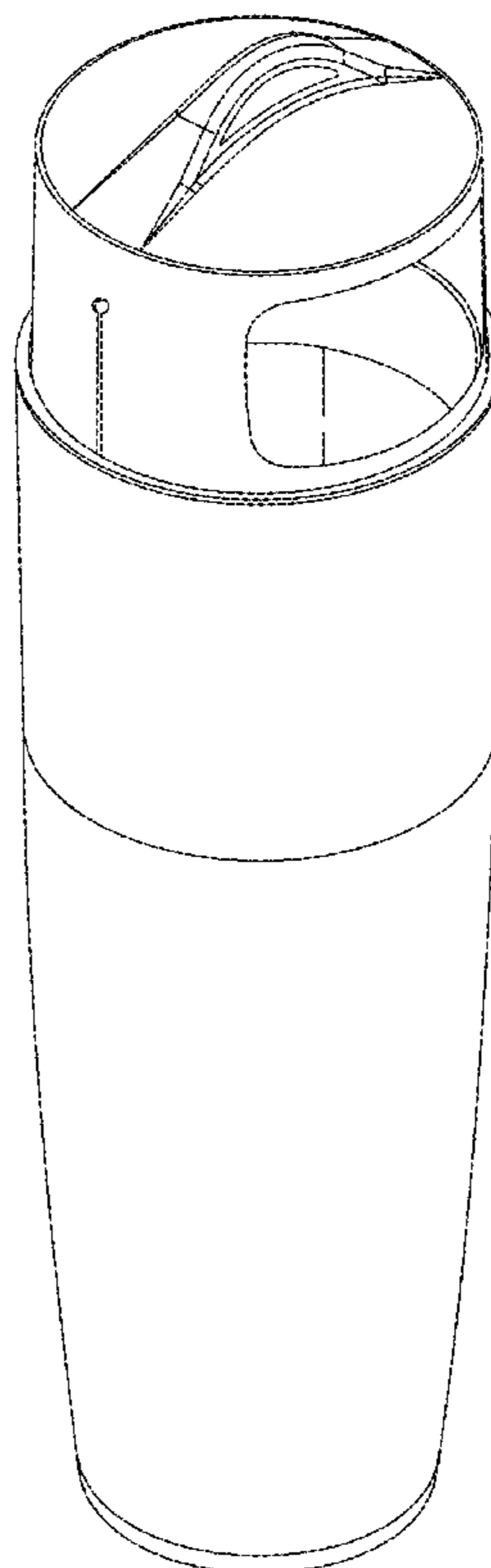
(57) **CLAIM**

The ornamental design for a sanitary bin, as shown and described.

DESCRIPTION

FIG. 1 is a perspective view of a sanitary bin showing my new design;
FIG. 2 is a front elevation view thereof;
FIG. 3 is a right elevation view thereof;
FIG. 4 is a left elevation view thereof;
FIG. 5 is a rear elevation view thereof;
FIG. 6 is a top plan view thereof; and,
FIG. 7 is a bottom plan view thereof.
The broken lines shown in the figures are included for the purpose of illustrating portions of the sanitary bin which form no part of the claimed design.

1 Claim, 6 Drawing Sheets



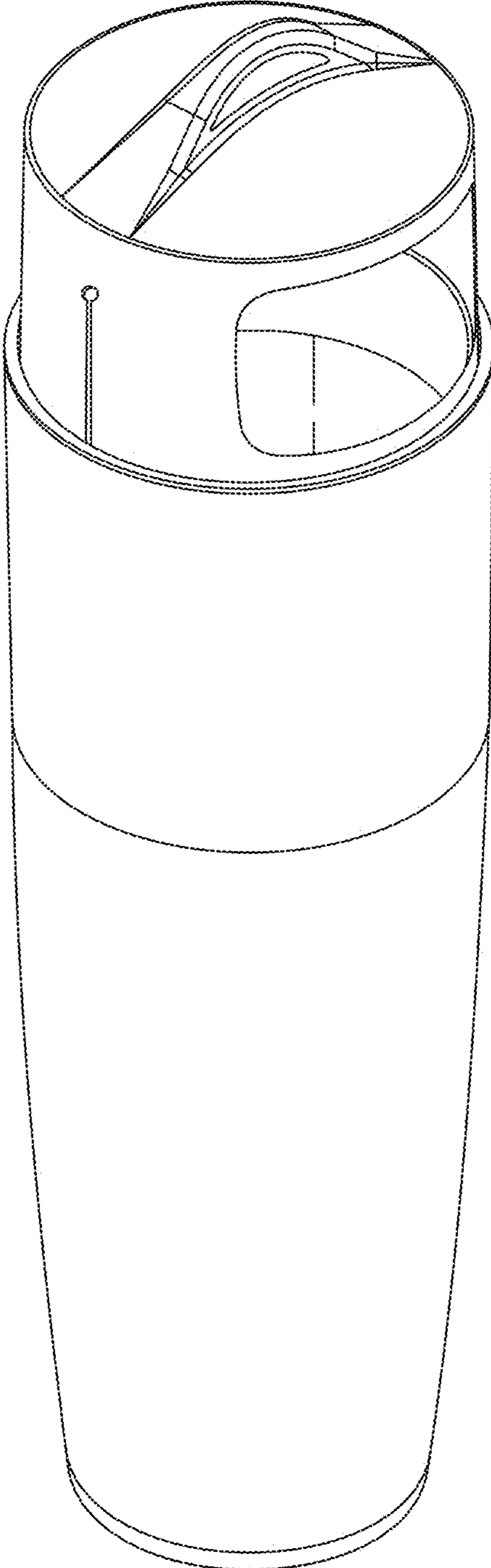


FIG. 1

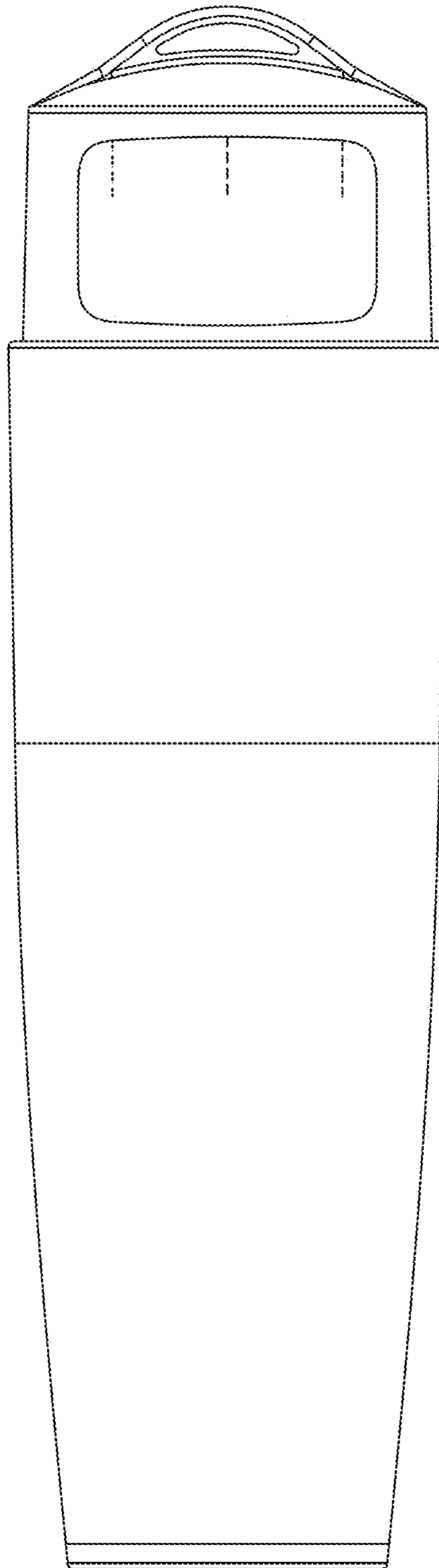


FIG. 2

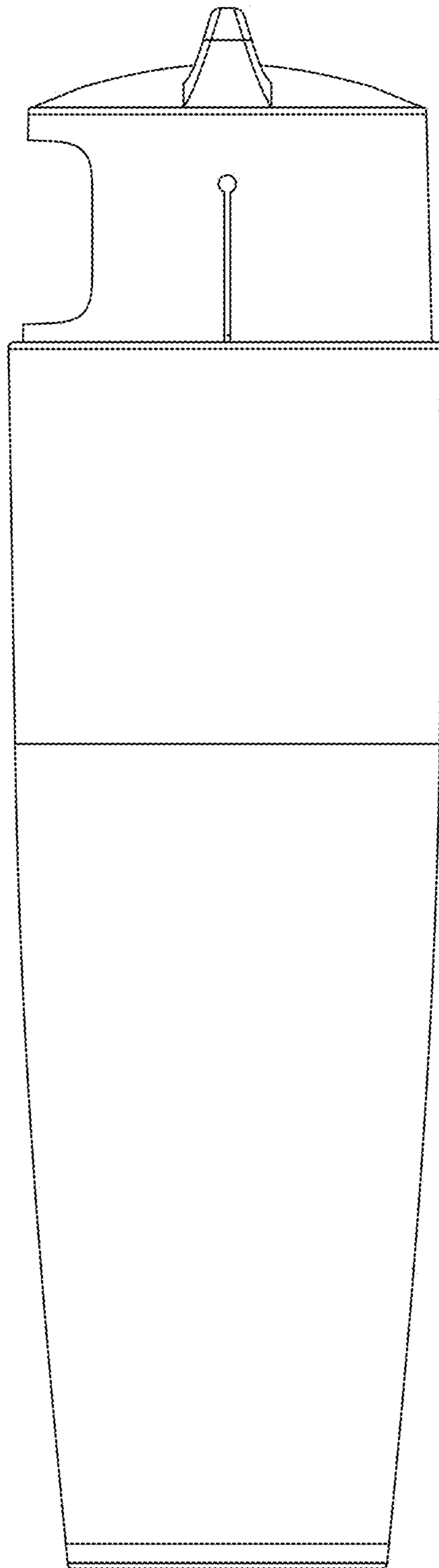


FIG. 3

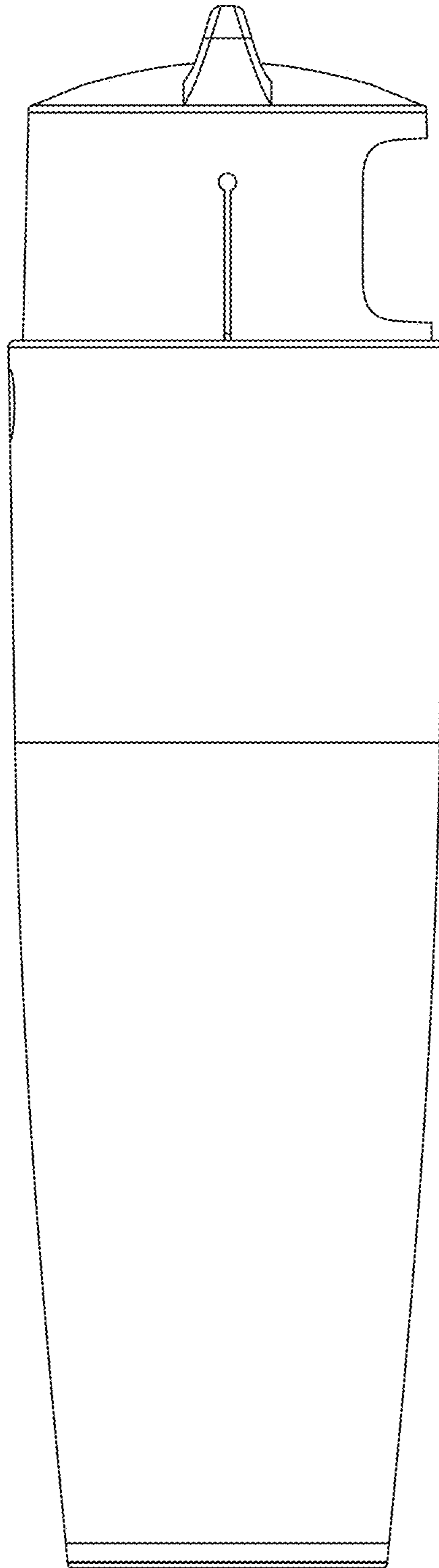


FIG. 4

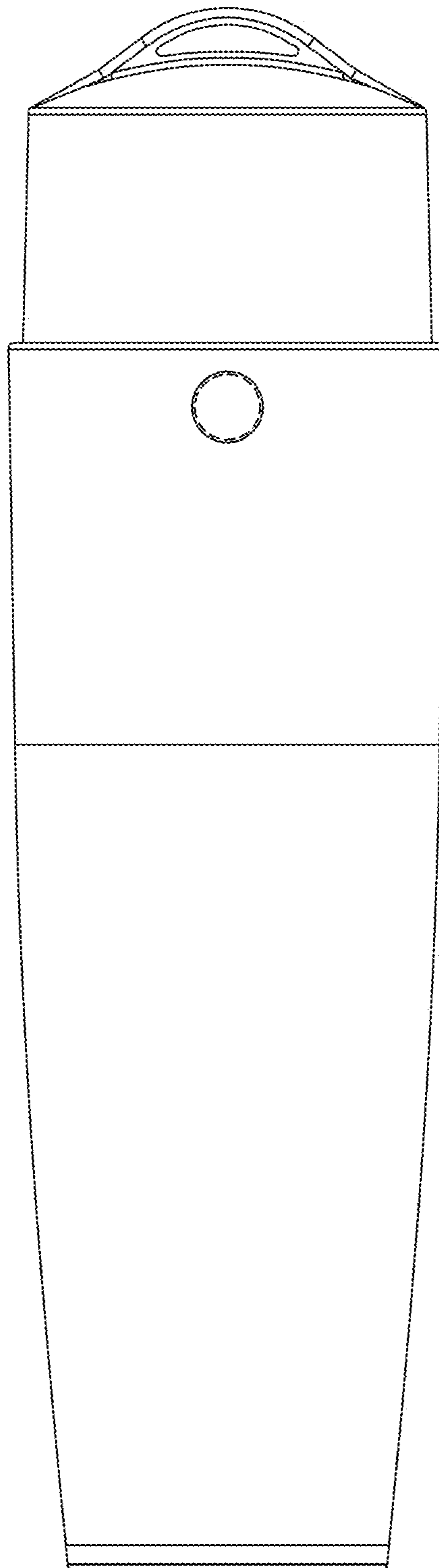


FIG. 5

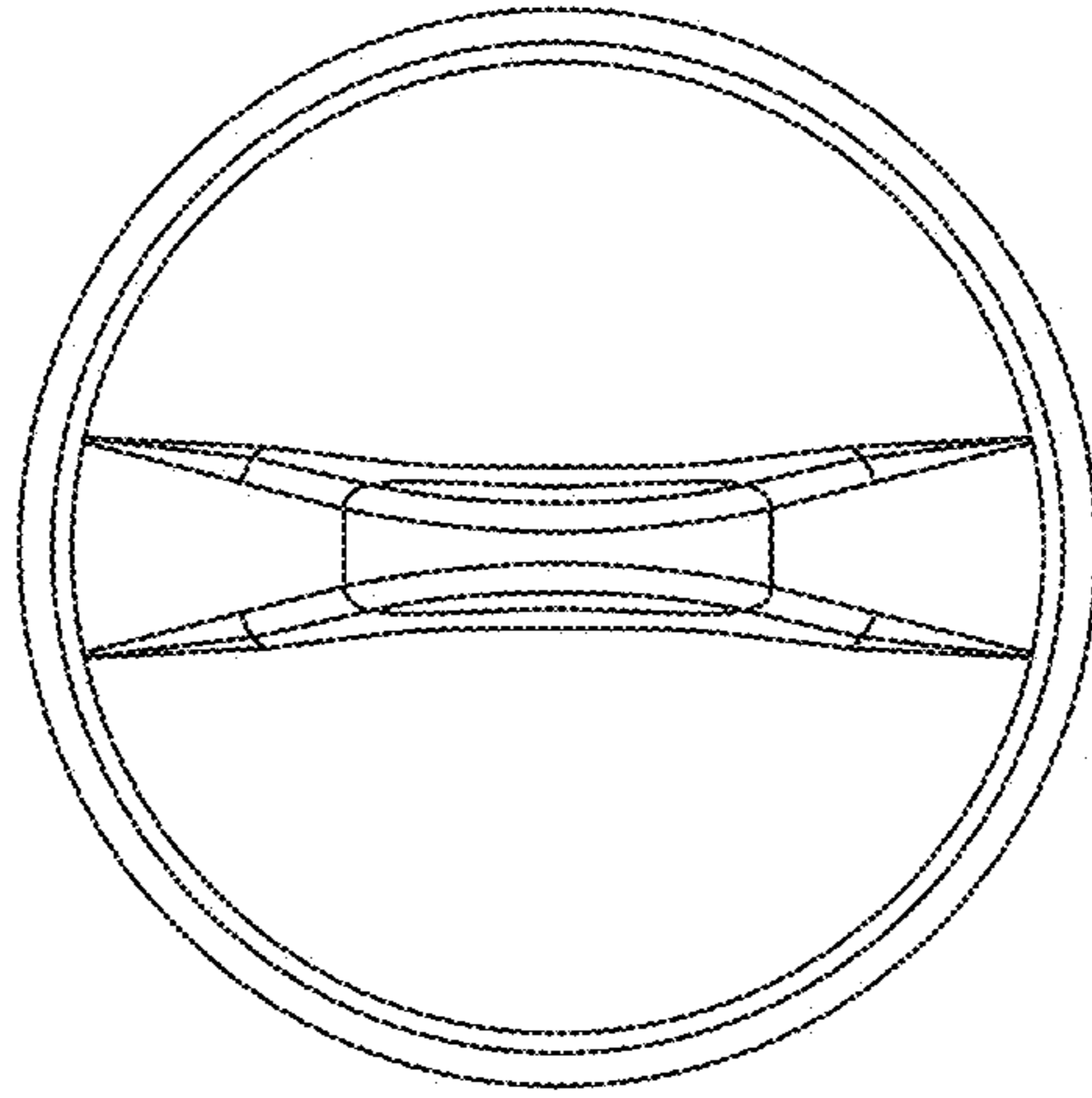


FIG. 6

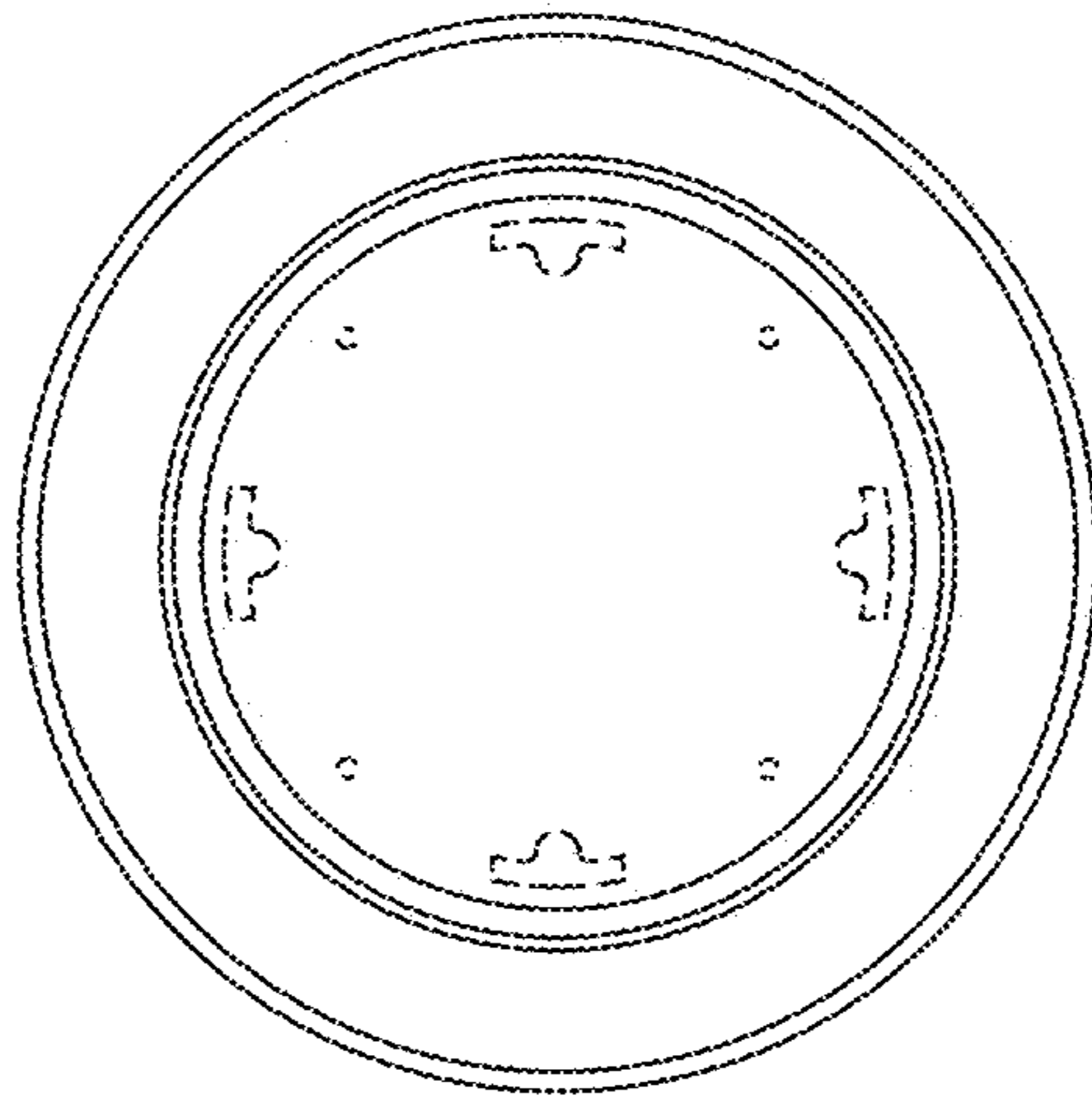


FIG. 7