



US00D893819S

(12) **United States Design Patent**  
**Li**

(10) **Patent No.:** **US D893,819 S**

(45) **Date of Patent:** **\*\* Aug. 18, 2020**

(54) **ROBOTIC VACUUM CLEANER**

(71) Applicant: **Junying Li**, Hainan (CN)

(72) Inventor: **Junying Li**, Hainan (CN)

(73) Assignee: **Shenzhen Hua Xin Information Technology CO., Ltd**, Shenzhen (CN)

(\*\*) Term: **15 Years**

(21) Appl. No.: **29/666,893**

(22) Filed: **Oct. 17, 2018**

(51) **LOC (12) Cl.** ..... **15-05**

(52) **U.S. Cl.**  
USPC ..... **D32/21**

(58) **Field of Classification Search**  
USPC ..... D32/21, 23-24, 31  
CPC ... E04H 4/1654; E04H 4/1663; E04H 4/1672;  
A47L 9/2842; A47L 9/2636; A47L  
9/2852; G06N 3/008; G05D 1/0225  
See application file for complete search history.

(56) **References Cited**

**U.S. PATENT DOCUMENTS**

D548,902 S	*	8/2007	Chun	.....	D32/21
D556,961 S	*	12/2007	Swyst	.....	D15/199
D665,547 S	*	8/2012	Nam	.....	D32/21
D669,235 S	*	10/2012	Bassett	.....	D32/21
D690,478 S	*	9/2013	Li	.....	D32/21

D703,397 S	*	4/2014	Sungkyung	.....	D32/21
D714,002 S	*	9/2014	Casini	.....	D32/21
D714,003 S	*	9/2014	Casini	.....	D32/21
D715,504 S	*	10/2014	Deoksang	.....	D32/21
D771,884 S	*	11/2016	Ninomiya	.....	D32/21
D835,869 S	*	12/2018	Li	.....	D32/21
D840,617 S	*	2/2019	Dou	.....	D32/21
D843,671 S	*	3/2019	Chei	.....	D32/21

\* cited by examiner

*Primary Examiner* — Michael A. Pratt  
(74) *Attorney, Agent, or Firm* — Justin Lampel

(57) **CLAIM**

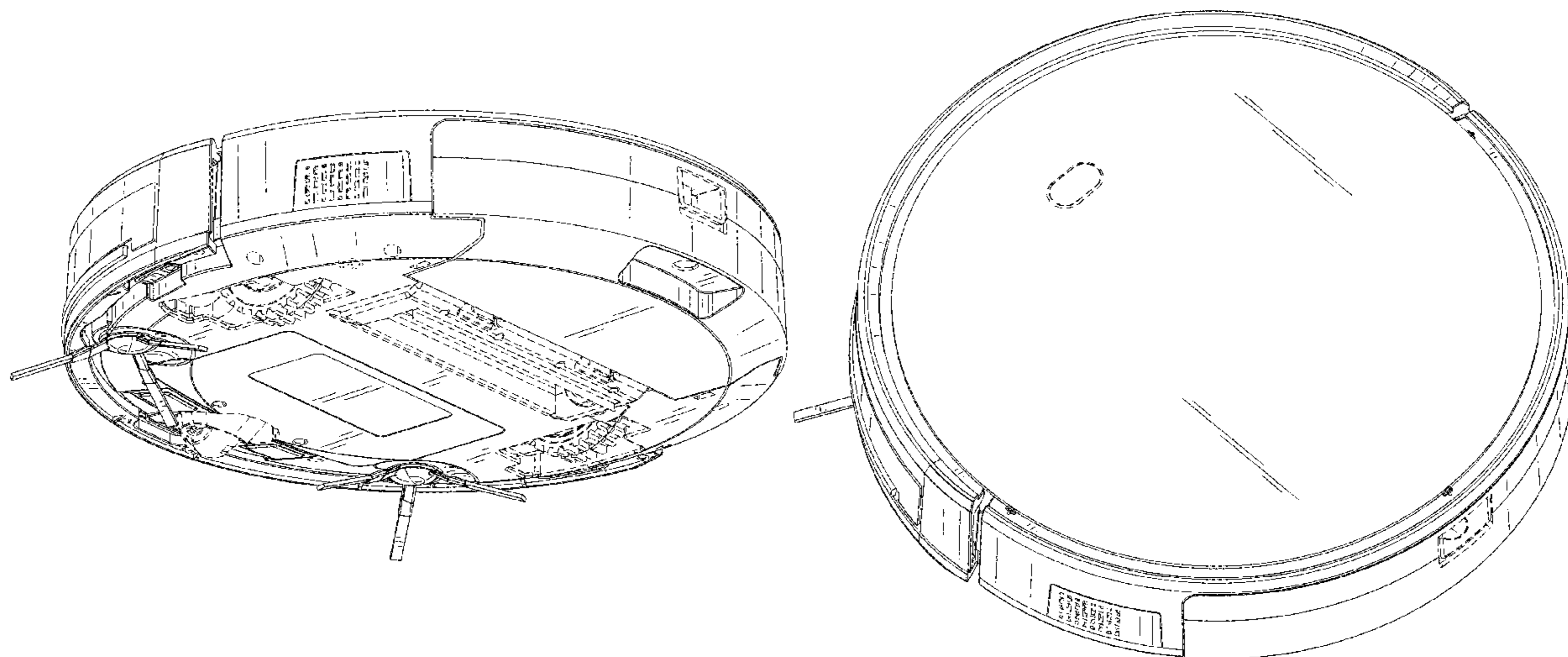
The ornamental design for a robotic vacuum cleaner, as shown and described.

**DESCRIPTION**

FIG. 1 is a perspective view of a robotic vacuum cleaner showing my new design;  
FIG. 2 is a perspective view of a robotic vacuum cleaner showing my new design;  
FIG. 3 is a top plan view thereof;  
FIG. 4 is a bottom plan view thereof;  
FIG. 5 is a rear elevational view thereof;  
FIG. 6 is a right side view thereof;  
FIG. 7 is a front elevational view thereof; and,  
FIG. 8 is a left side view thereof.

The broken lines showing of the robotic vacuum cleaner is included for the purpose of illustrating portions of the “article” and forms no part of the claimed design.

**1 Claim, 6 Drawing Sheets**



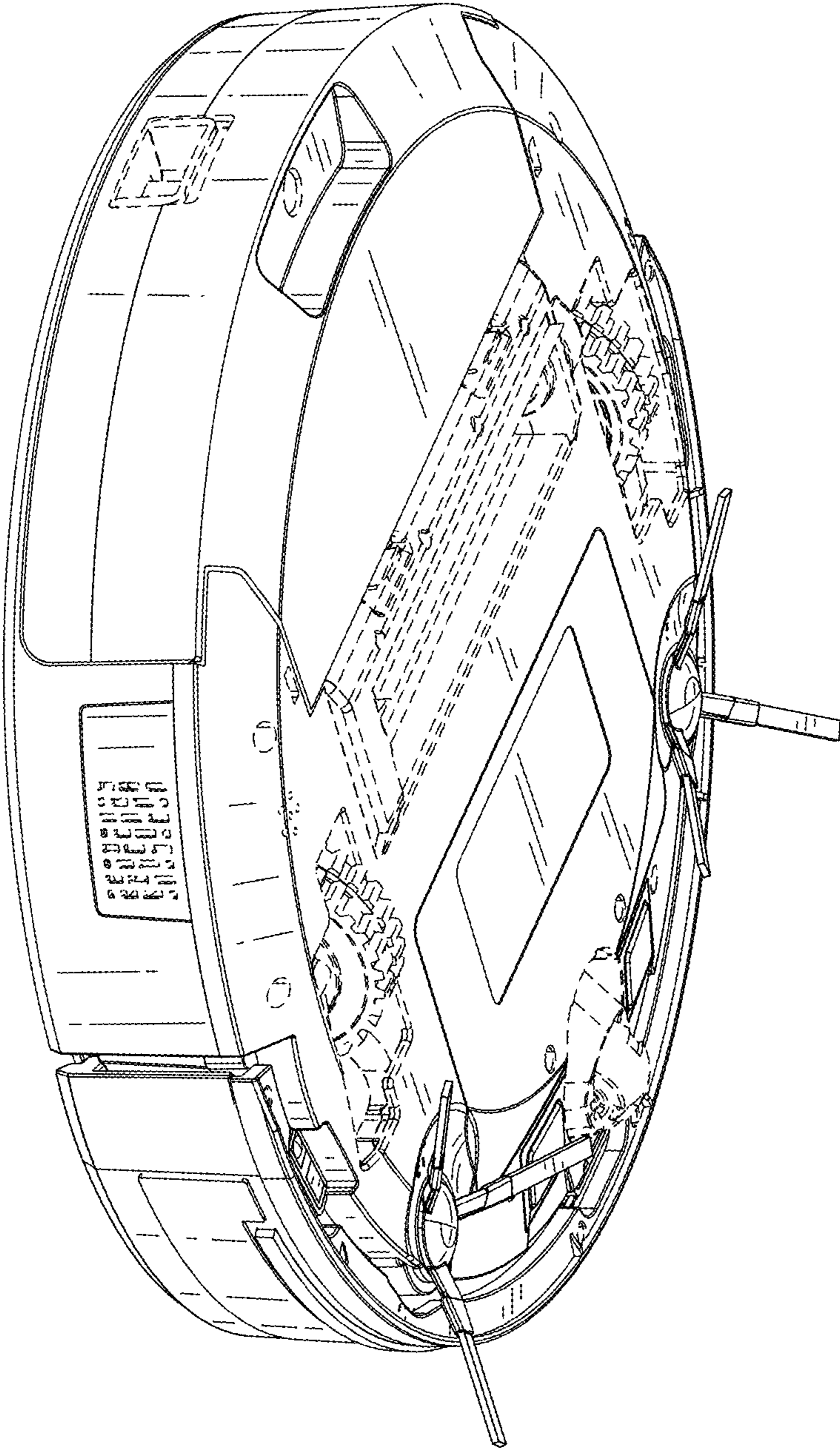


FIG. 1

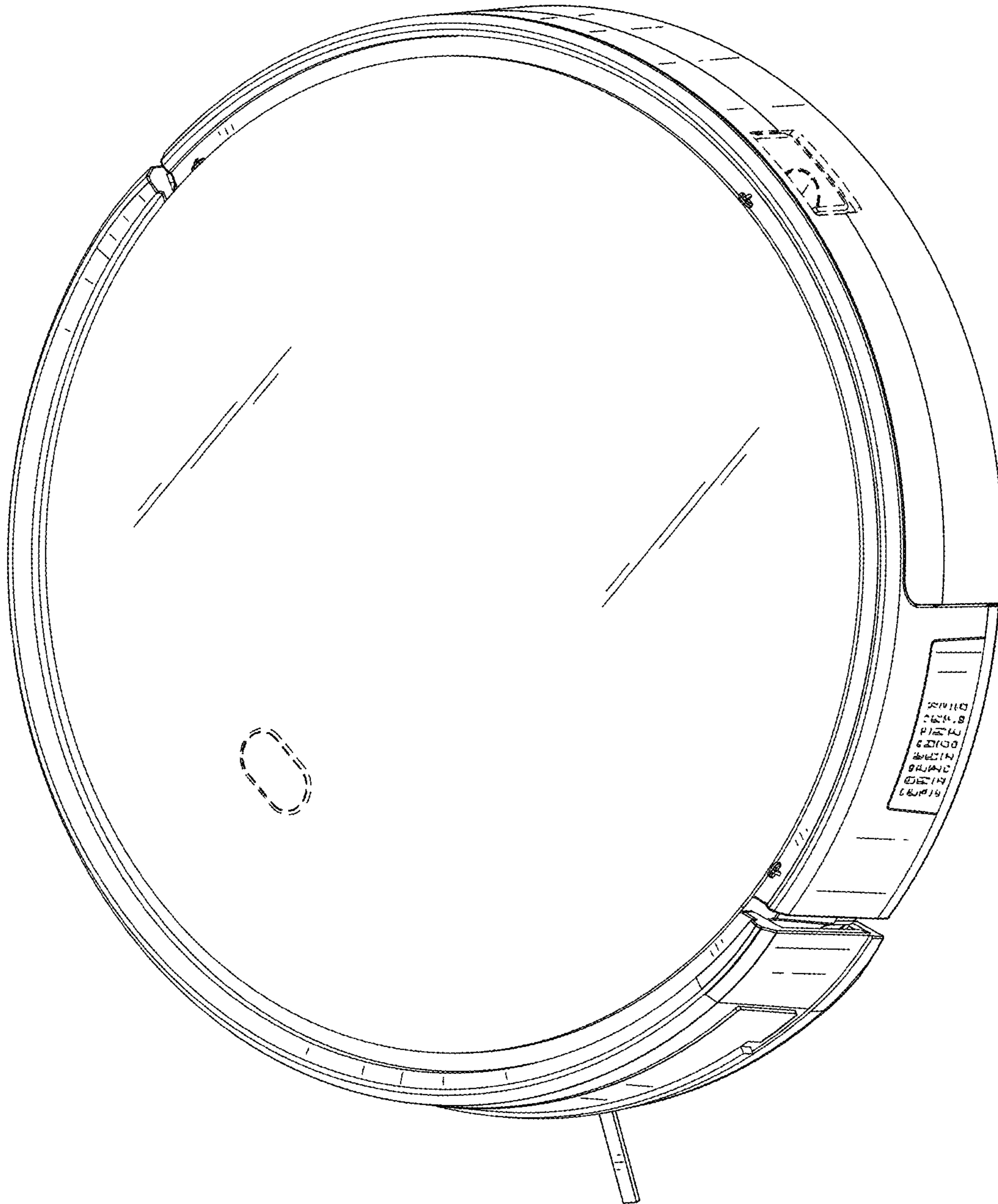


FIG. 2

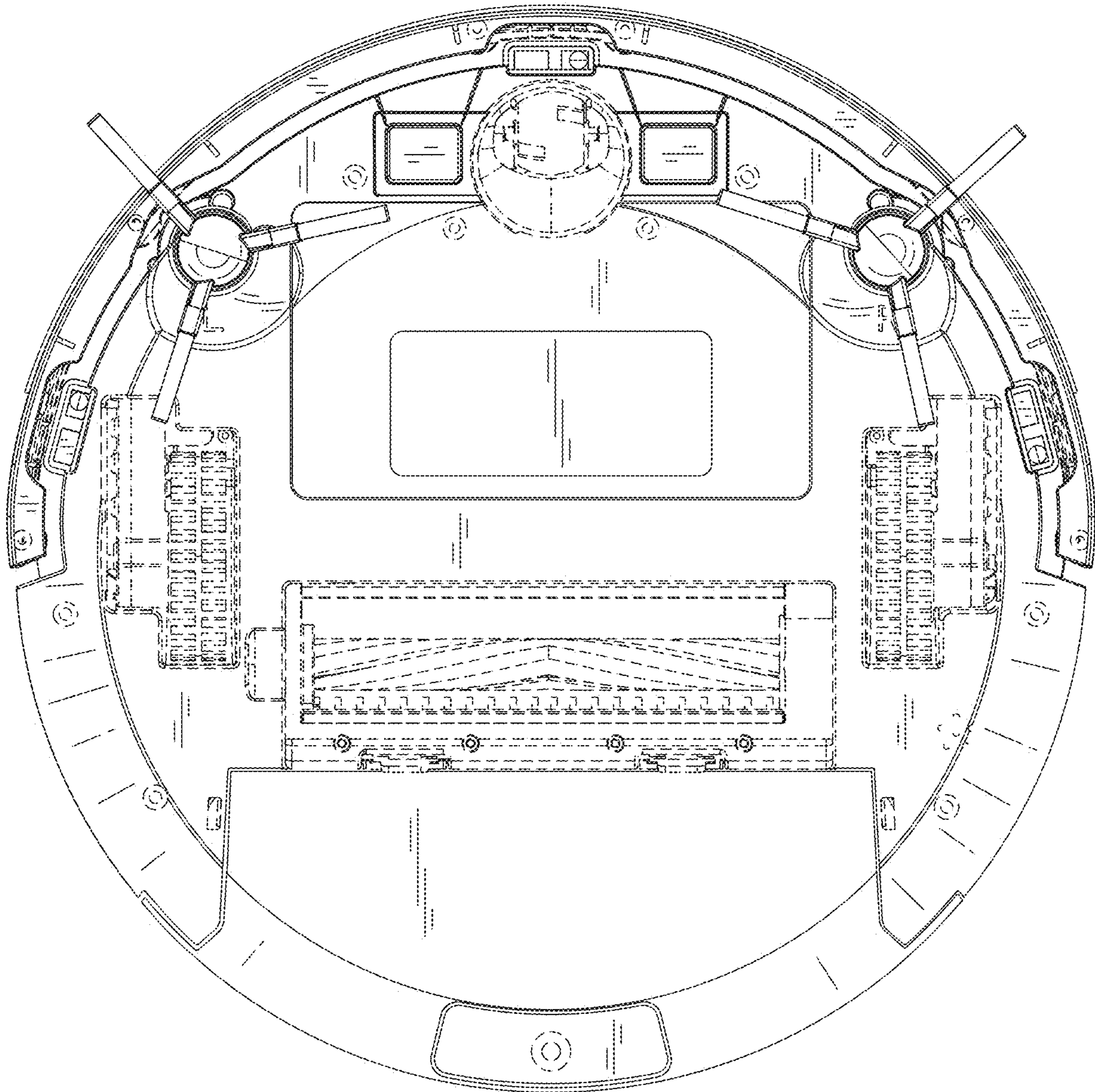


FIG. 3

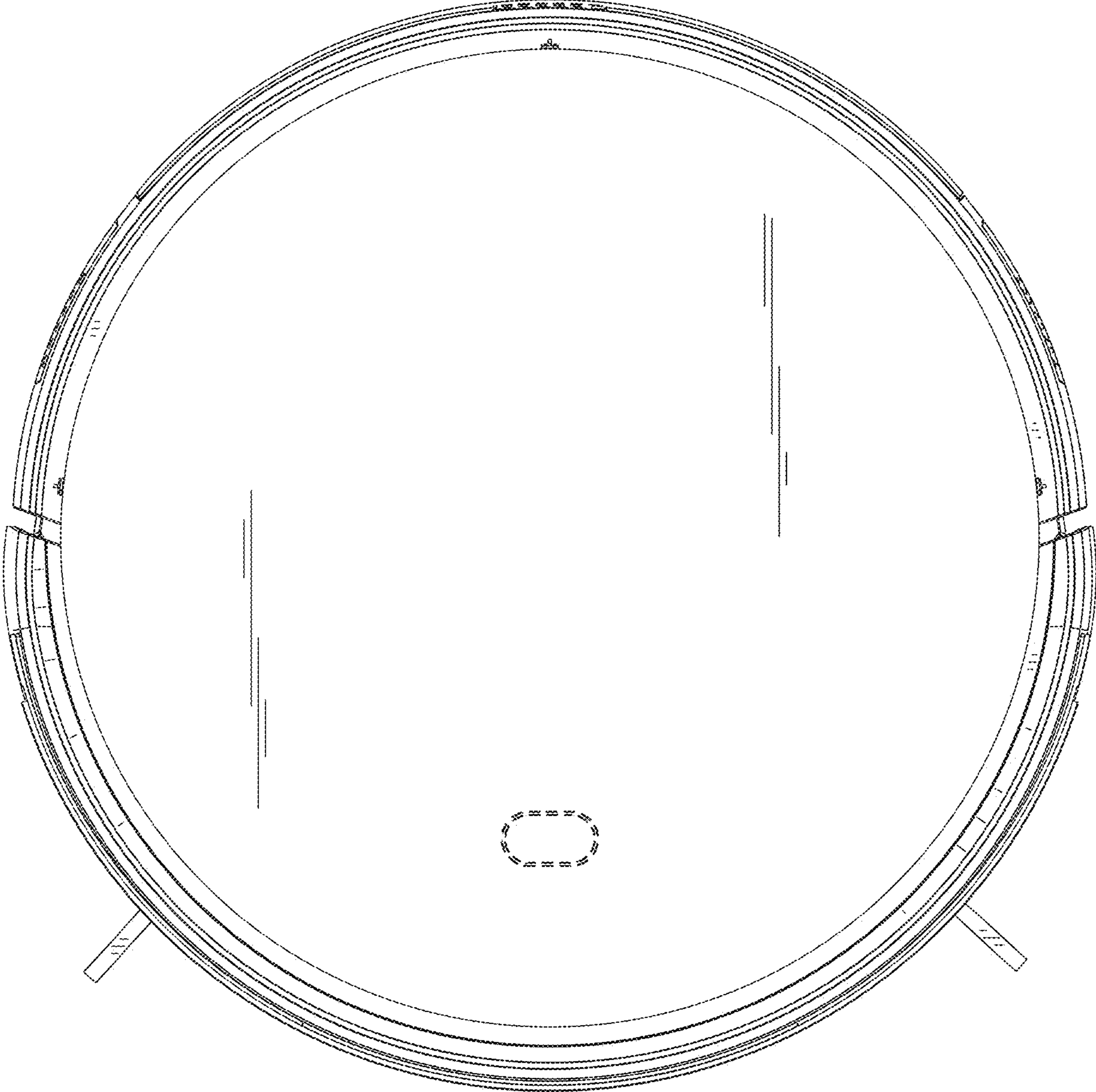


FIG. 4

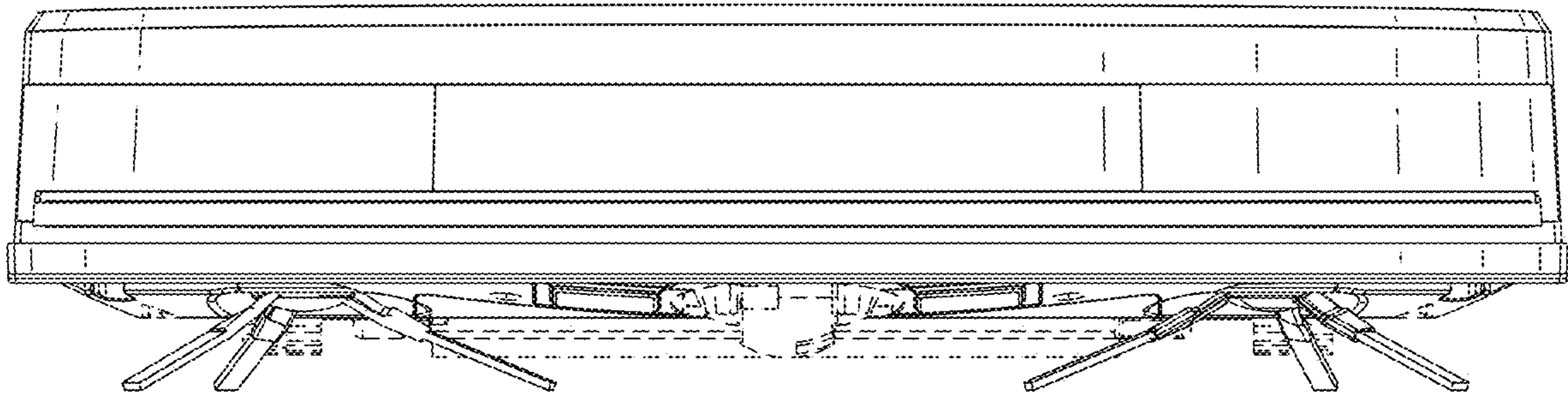


FIG. 5

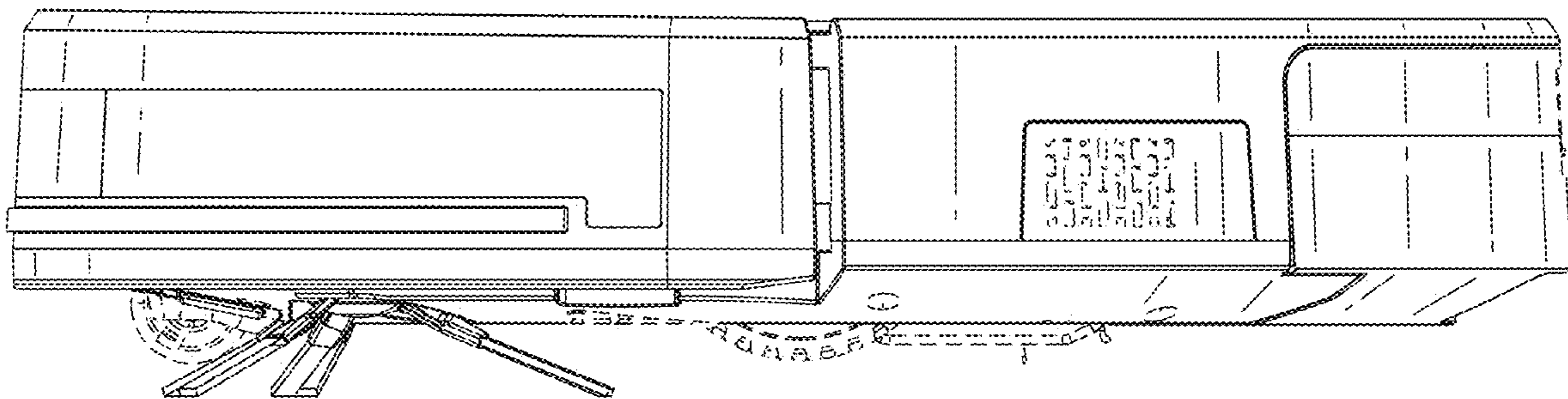


FIG. 6

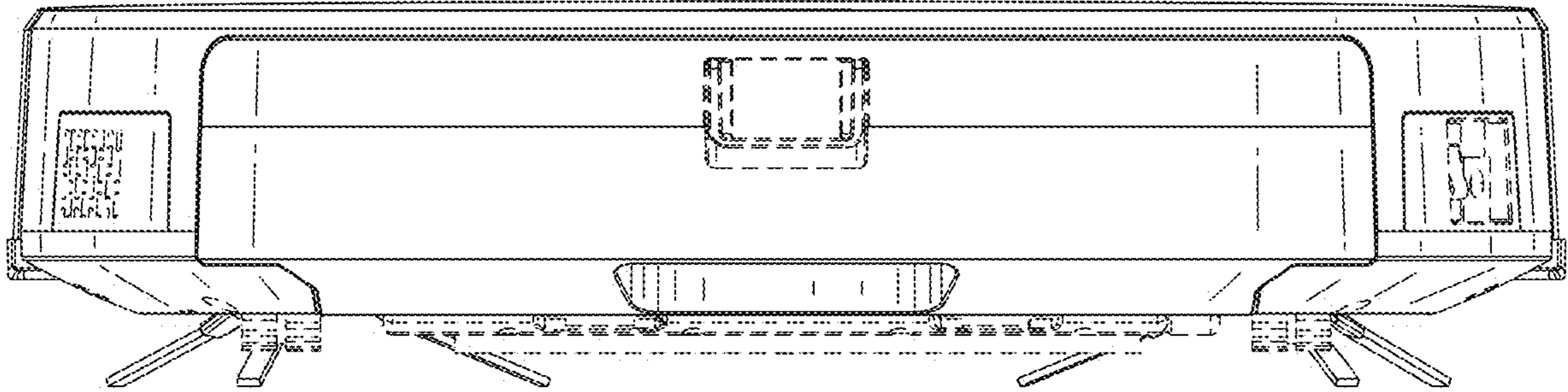


FIG. 7

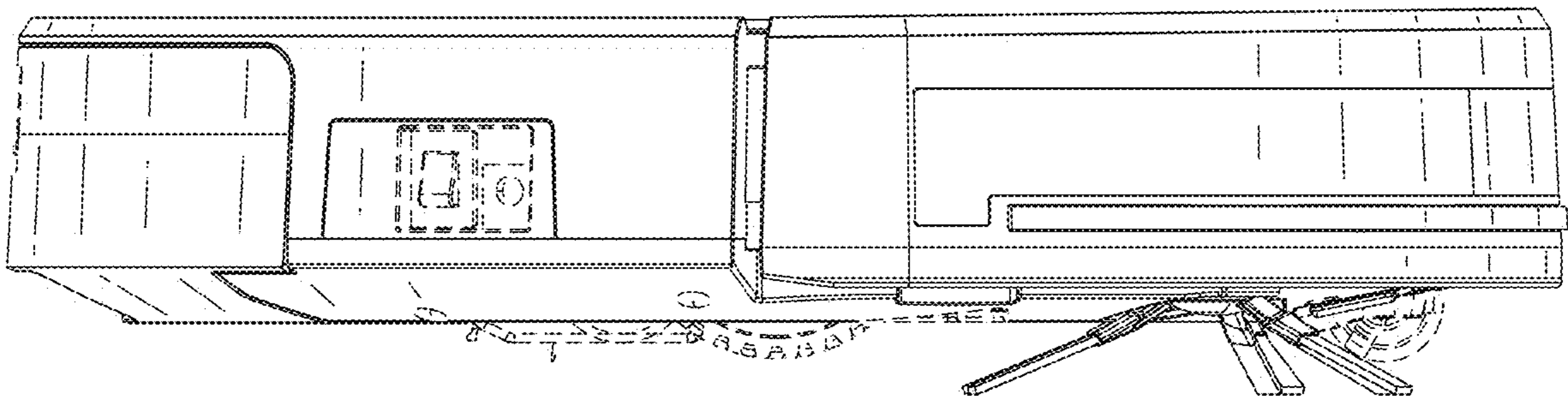


FIG. 8