



US00D893809S

(12) **United States Design Patent**
Casto et al.

(10) **Patent No.: US D893,809 S**
(45) **Date of Patent: ** Aug. 18, 2020**

(54) **BIRD FEEDER**
(71) Applicant: **CENTRAL GARDEN & PET COMPANY**, Walnut Creek, CA (US)
(72) Inventors: **Jason Casto**, Lombard, IL (US);
Lawrence Sternal, Bartlett, IL (US)
(73) Assignee: **CENTRAL GARDEN & PET COMPANY**, Walnut Creek, CA (US)
(**) Term: **15 Years**

5,533,467 A * 7/1996 Lancia A01K 39/012
119/57.9
D451,251 S * 11/2001 Chrisco D30/124
6,543,384 B2 * 4/2003 Cote A01K 39/0113
119/57.9
6,546,894 B2 * 4/2003 Chrisco A01K 39/012
119/52.2
6,561,128 B1 * 5/2003 Carter A01K 39/0113
119/52.3
6,591,781 B2 * 7/2003 Hardison A01K 39/00
119/52.3
6,662,745 B2 * 12/2003 Chrisco A01K 39/012
119/52.2

(Continued)

(21) Appl. No.: **29/643,958**
(22) Filed: **Apr. 13, 2018**
(51) **LOC (12) Cl. 30-03**
(52) **U.S. Cl.**
USPC **D30/127; D30/124; D30/128**
(58) **Field of Classification Search**
USPC D30/121, 124, 126-129, 133, 199,
D30/110-112, 123, 125; 119/52.2, 51.5,
119/61.5, 57.8, 57.9, 52.3, 61.1, 531, 63,
119/428-435, 52.4, 55, 61.3, 69.5, 75, 76;
47/67, 83; 248/318; D11/164, 152;
211/128.1; D27/123; D6/495, 460, 461,
D6/476, 405
CPC A01K 39/00; A01K 39/01; A01K 39/0113;
A01K 39/012; A01K 39/06; A01K
5/0225; A01K 5/00
See application file for complete search history.

FOREIGN PATENT DOCUMENTS

WO 93/12649 7/1993
Primary Examiner — Susan Moon Lee
(74) *Attorney, Agent, or Firm* — Grossman, Tucker,
Perreault & Pflieger, PLLC

(57) **CLAIM**

We claim the ornamental design for a bird feeder, as shown and described.

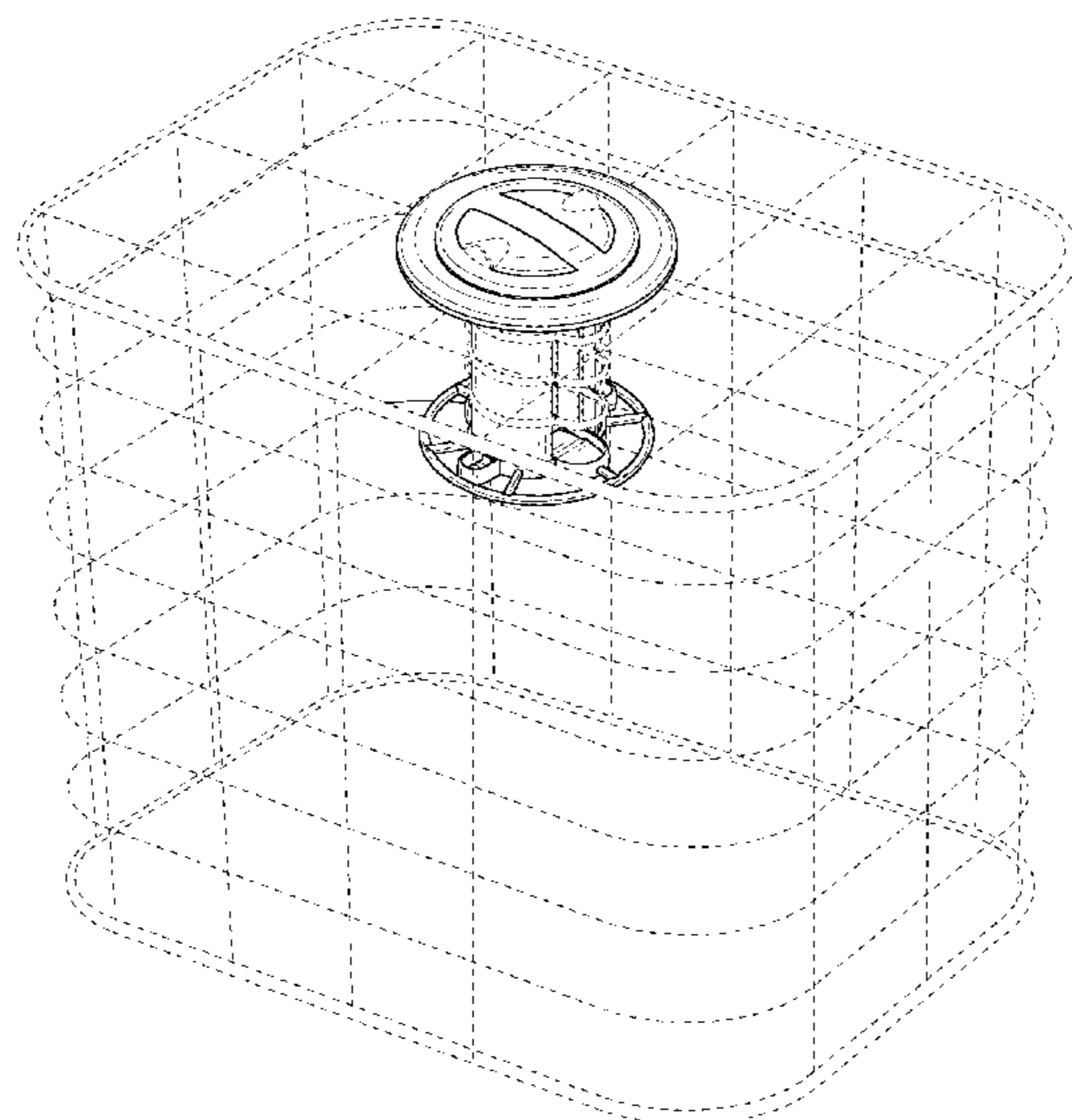
DESCRIPTION

FIG. 1 is a perspective view of a bird feeder of the present invention;
FIG. 2 is a front view thereof;
FIG. 3 is a rear view thereof;
FIG. 4 is a left side view thereof;
FIG. 5 is a right side view thereof;
FIG. 6 is a top view thereof;
FIG. 7 is a bottom view thereof; and,
FIG. 8 is an additional perspective view of the bird feeder in its environment.
The broken lines depict unclaimed features of the bird feeder that form no part of the design claim but are shown illustratively.

(56) **References Cited**
U.S. PATENT DOCUMENTS

4,327,669 A * 5/1982 Blasbalg A01K 39/0113
119/57.8
D267,355 S * 12/1982 Blasbalg D30/127
5,033,411 A * 7/1991 Brucker A01K 39/012
119/52.2
5,168,830 A * 12/1992 Deglis A01K 45/00
119/428
5,511,511 A 4/1996 Voren

1 Claim, 8 Drawing Sheets



(56)

References Cited

U.S. PATENT DOCUMENTS

D490,576 S *	5/2004	Rich	D30/128
6,830,009 B1 *	12/2004	Kuelbs	A01K 39/014 119/52.2
6,834,616 B2 *	12/2004	Fort, II	A01K 39/012 119/53
D503,019 S *	3/2005	Swift	D30/127
6,866,004 B1 *	3/2005	Lush	A01K 39/012 119/52.1
D504,746 S *	5/2005	Lee	D26/67
6,957,626 B2	10/2005	Ela et al.	
D512,800 S *	12/2005	Jung	D30/128
7,040,251 B2 *	5/2006	Fort, II	A01K 39/012 119/53
D524,490 S *	7/2006	Obenshain	D30/127
D530,457 S *	10/2006	Jung	D30/127
7,146,932 B2	12/2006	Willinger et al.	
7,185,605 B1 *	3/2007	Lush	A01K 5/0225 119/52.1
7,219,621 B2 *	5/2007	Coroneos	A01K 39/0113 119/51.01
7,258,075 B1 *	8/2007	Jones	A01K 39/0113 119/57.9
7,287,486 B2 *	10/2007	Hunter	A01K 31/06 119/428
7,343,877 B1	3/2008	McDonald	
7,370,607 B2 *	5/2008	O'Dell	A01K 39/012 119/52.3
7,503,282 B1 *	3/2009	Lush	A01K 5/0225 119/52.2
7,540,260 B2 *	6/2009	Rich	A01K 39/0113 119/429
7,726,259 B2 *	6/2010	Hepp	A01K 39/014 119/57.9
7,918,184 B2	4/2011	Humphries et al.	
D649,300 S *	11/2011	Lush	D30/127
D663,079 S *	7/2012	Greenwood	A01K 39/012 D30/128
8,230,809 B2 *	7/2012	Cote	A01K 39/0113 119/52.3
D679,453 S *	4/2013	Krueger	D30/127
D709,249 S *	7/2014	Van Dyk	D30/127
8,899,179 B1 *	12/2014	Carter	A01K 39/012 119/57.8
D723,226 S *	2/2015	Krueger	D30/127
D723,750 S *	3/2015	Van Dyk	D30/127
9,462,791 B2 *	10/2016	Humphries	A01K 39/0206
9,609,852 B2 *	4/2017	Cote	A01K 39/0113
10,405,524 B2 *	9/2019	McCord	A01K 5/0142
10,609,908 B2 *	4/2020	Donegan	A01K 39/012
2002/0092475 A1	7/2002	Paynton et al.	
2003/0033985 A1 *	2/2003	Hardison	A01K 39/00 119/57.9
2003/0127056 A1 *	7/2003	Chrisco	A01K 39/014 119/52.2
2003/0226514 A1 *	12/2003	Cote	A01K 39/0113 119/57.9
2004/0134437 A1 *	7/2004	Fort, II	A01K 39/012 119/57.8
2005/0005865 A1 *	1/2005	Rich	A01K 39/012 119/52.2
2006/0065202 A1 *	3/2006	Fort, II	A01K 39/0206 119/72
2006/0090707 A1 *	5/2006	Donegan	A01K 39/0206 119/72
2006/0118056 A1 *	6/2006	Kuelbs	A01K 39/014 119/57.8
2006/0207512 A1 *	9/2006	Fort, II	A01K 39/012 119/57.8
2006/0266295 A1 *	11/2006	McDarren	A01K 39/014 119/57.8
2006/0272585 A1 *	12/2006	O'Dell	A01K 39/012 119/57.8
2006/0288944 A1 *	12/2006	Hoff	A01K 39/012 119/57.9
2008/0035068 A1 *	2/2008	Gou	A01K 39/012 119/72
2008/0105206 A1 *	5/2008	Rich	A01K 39/0113 119/57.9
2008/0156269 A1 *	7/2008	Greenwood	A01K 39/0106 119/51.01
2009/0159008 A1 *	6/2009	Humphries	A01K 39/0206 119/51.5
2011/0083609 A1 *	4/2011	Cote	A01K 39/012 119/52.2
2011/0100299 A1 *	5/2011	Colwell	A01K 31/12 119/52.2
2012/0318200 A1 *	12/2012	Van Dyk	A01K 39/04 119/51.5

* cited by examiner

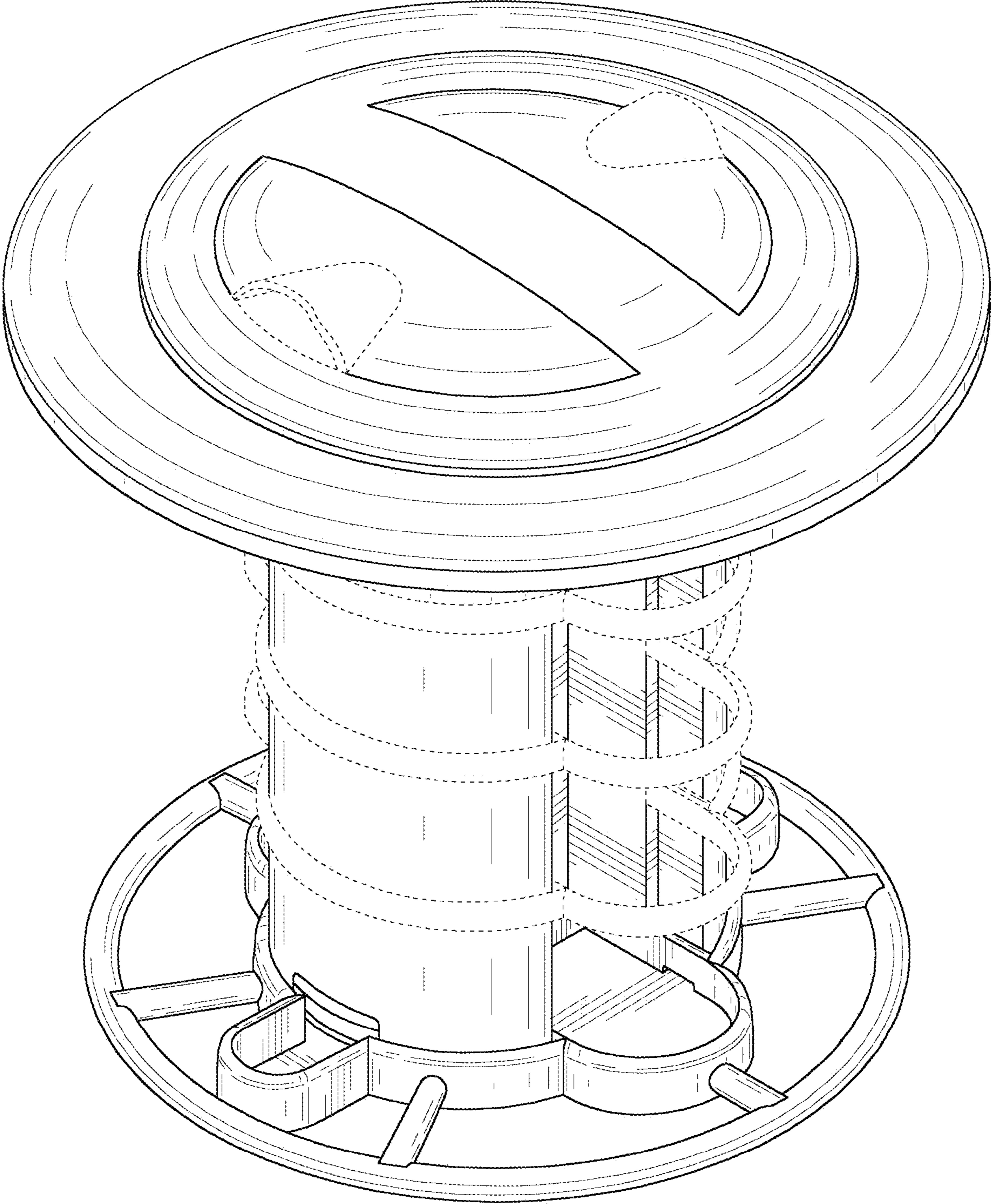


FIG. 1

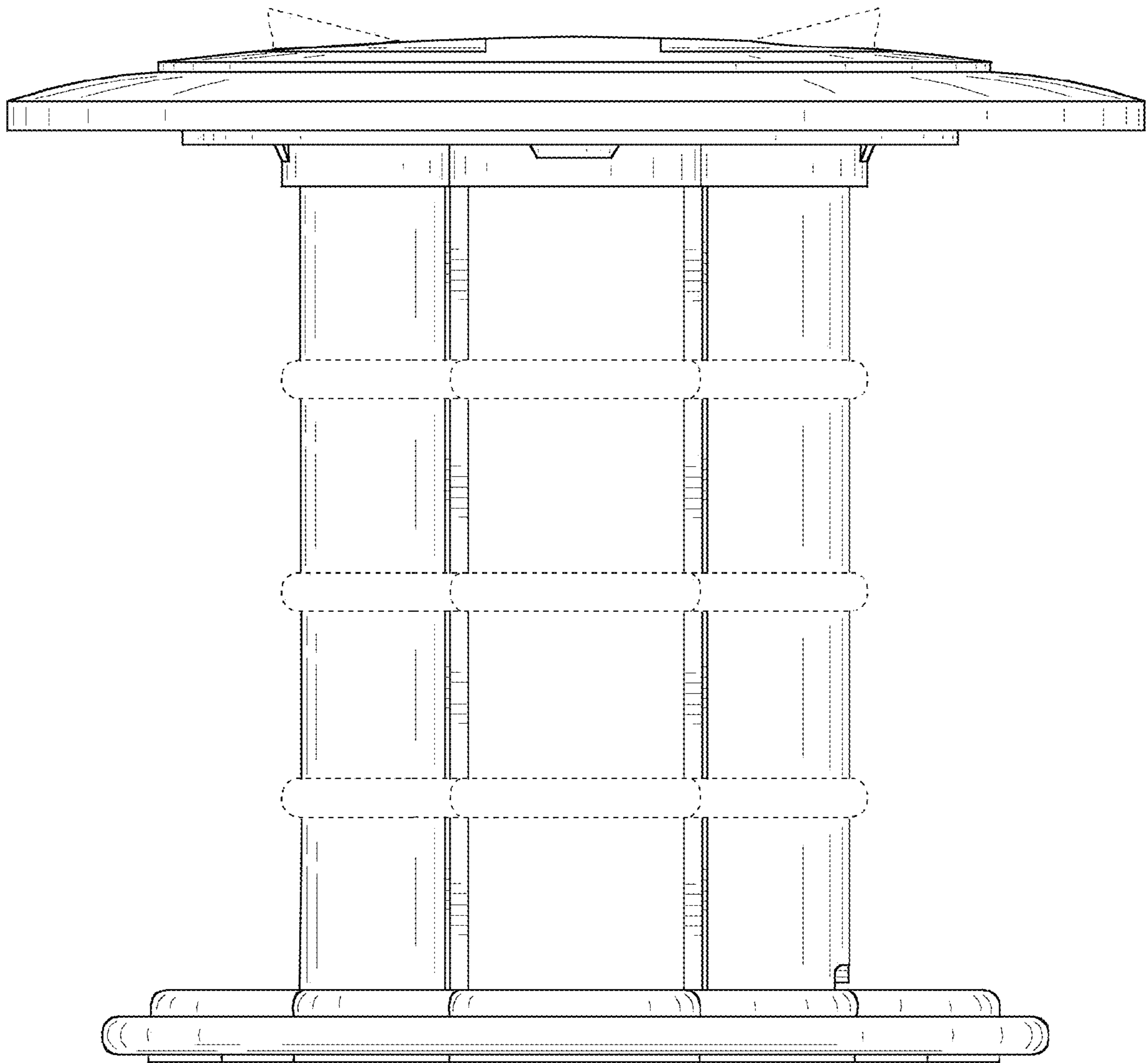


FIG. 2

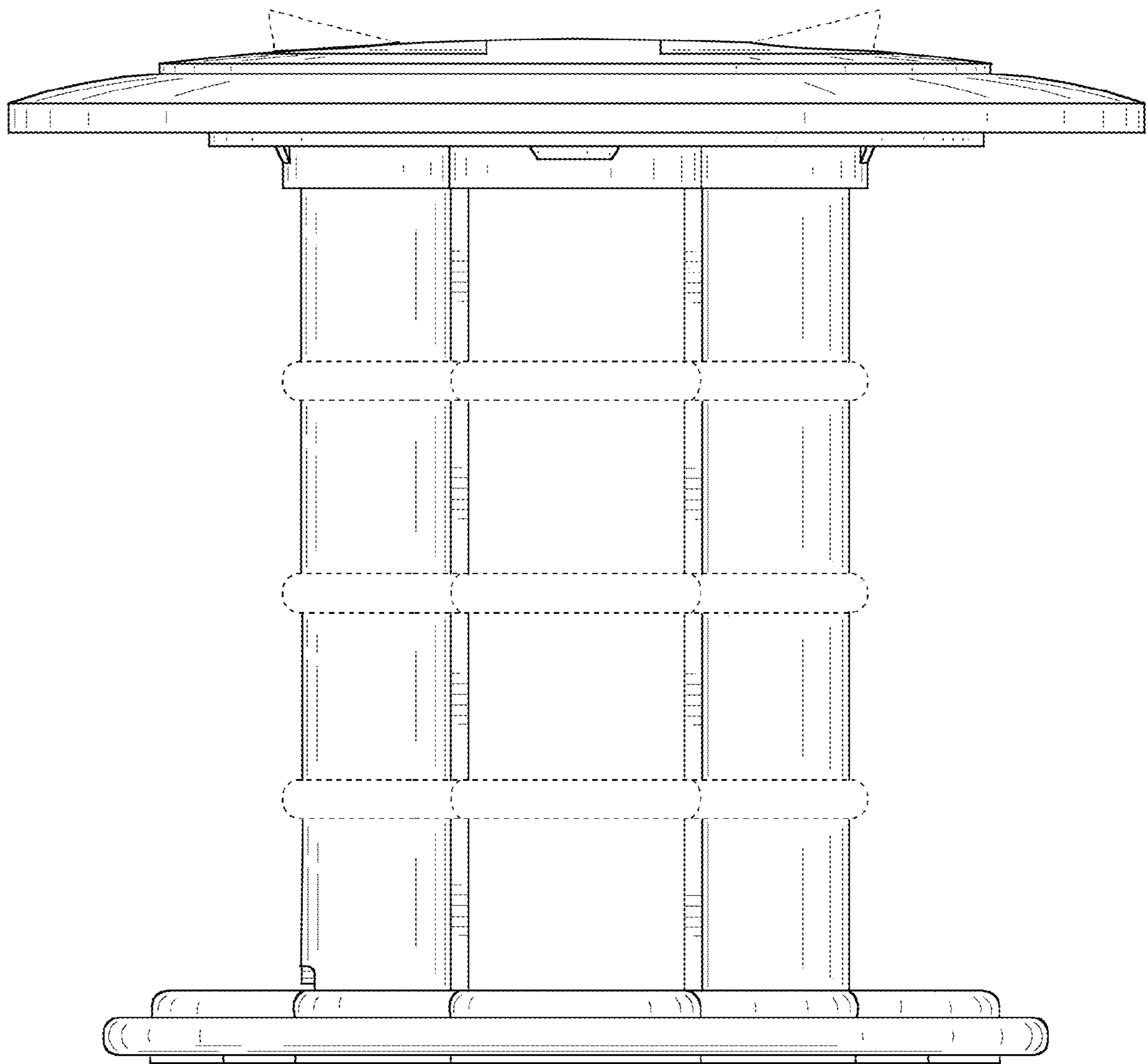


FIG. 3

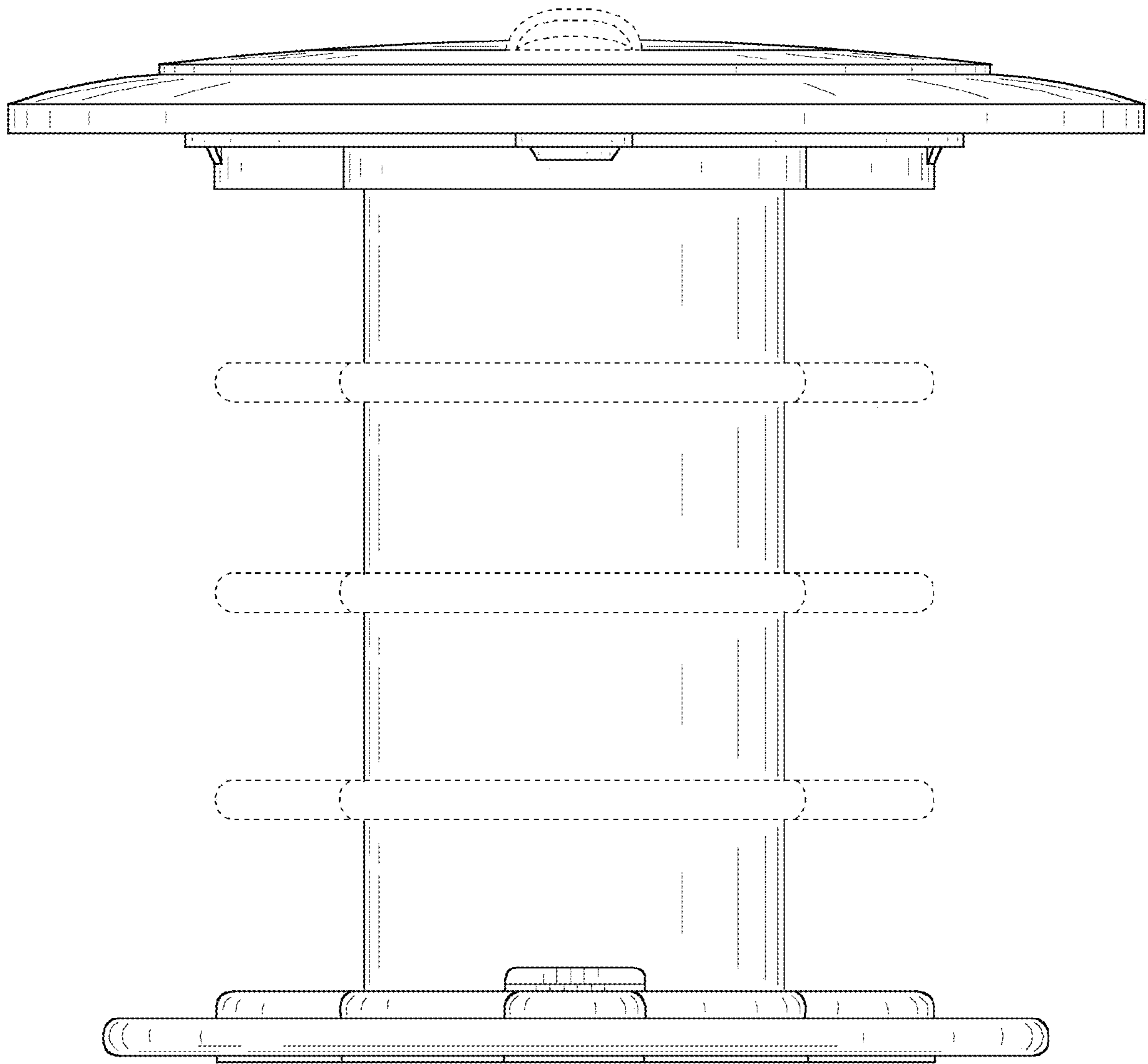


FIG. 4

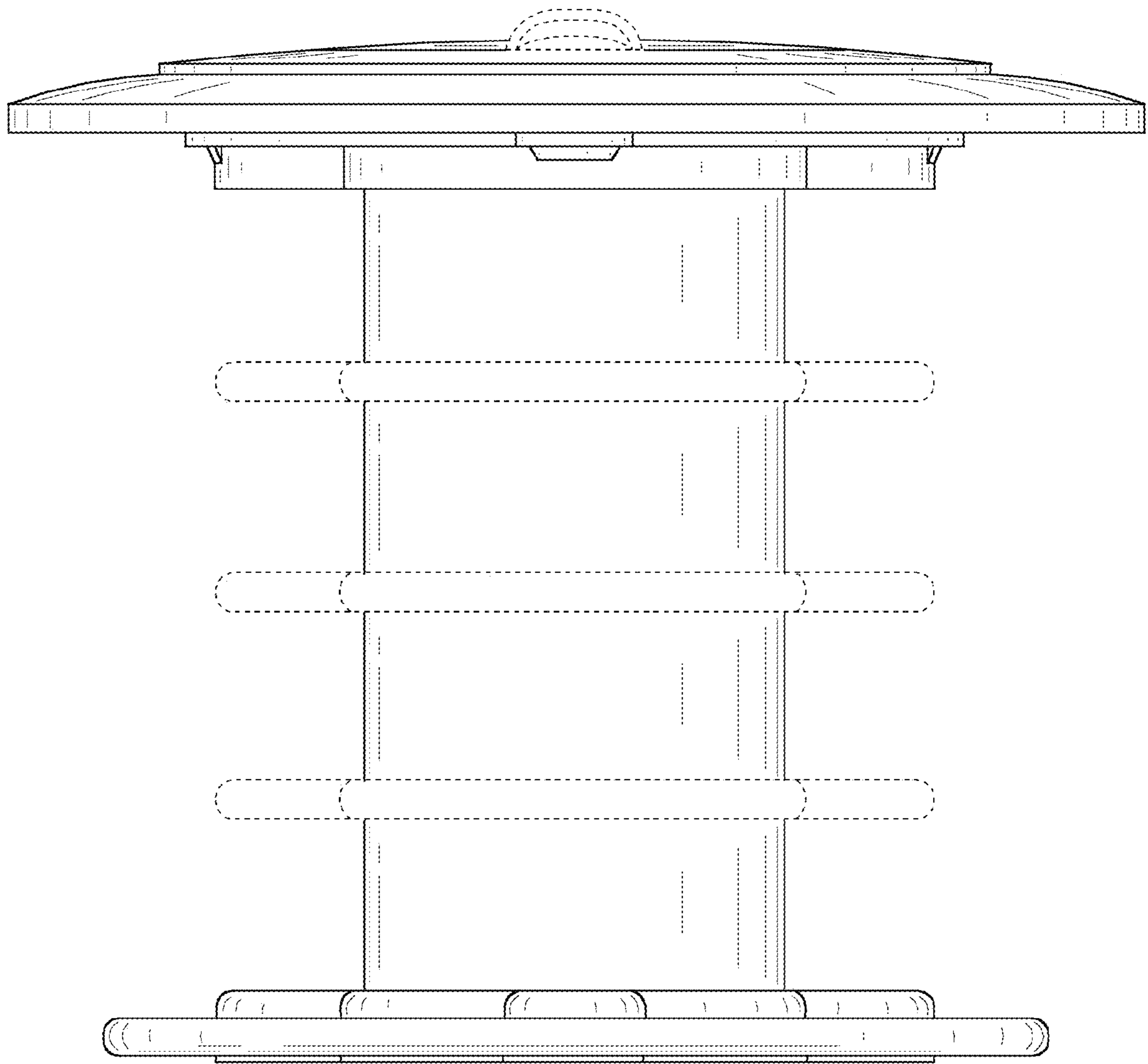


FIG. 5

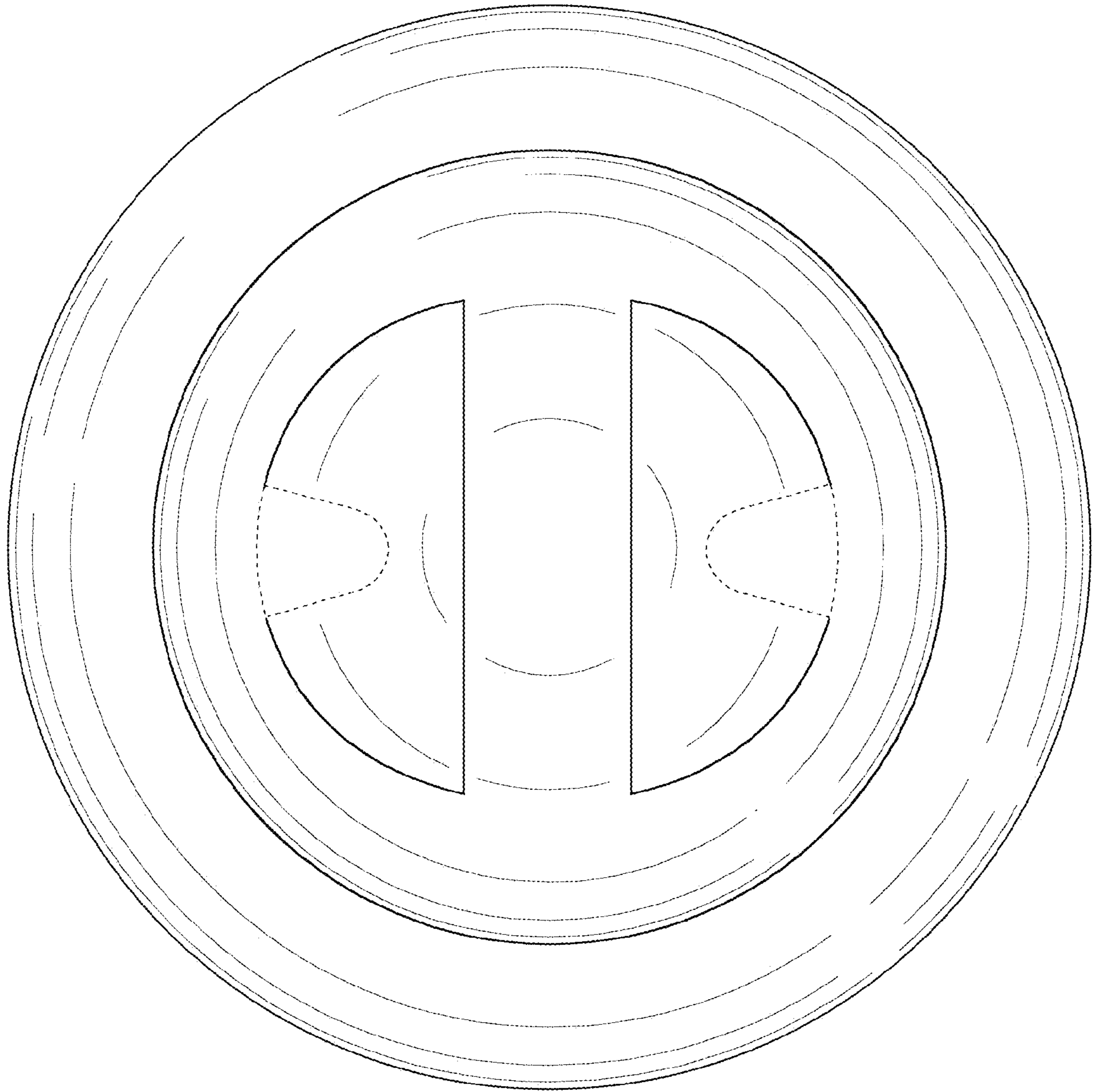


FIG. 6

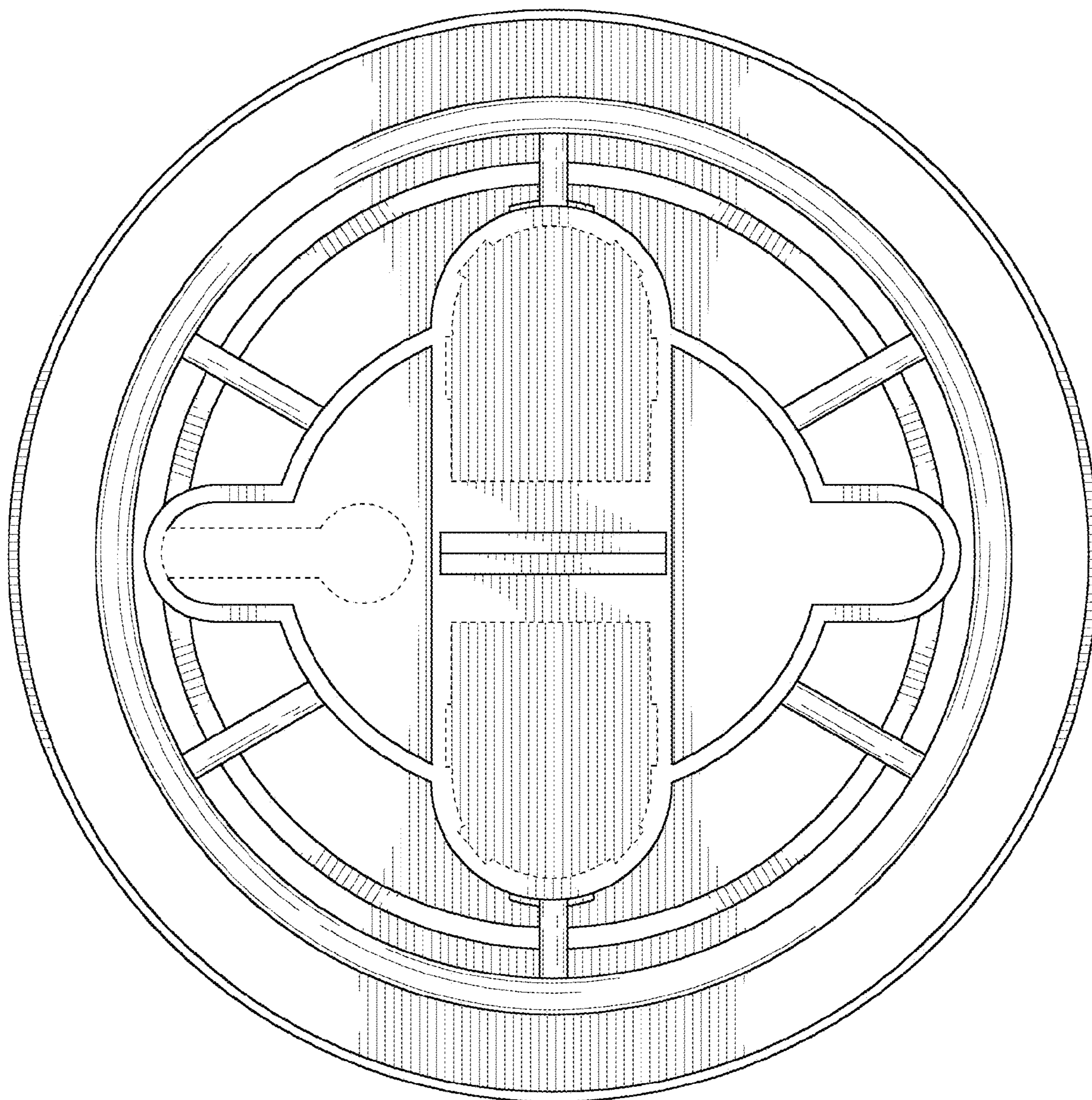


FIG. 7

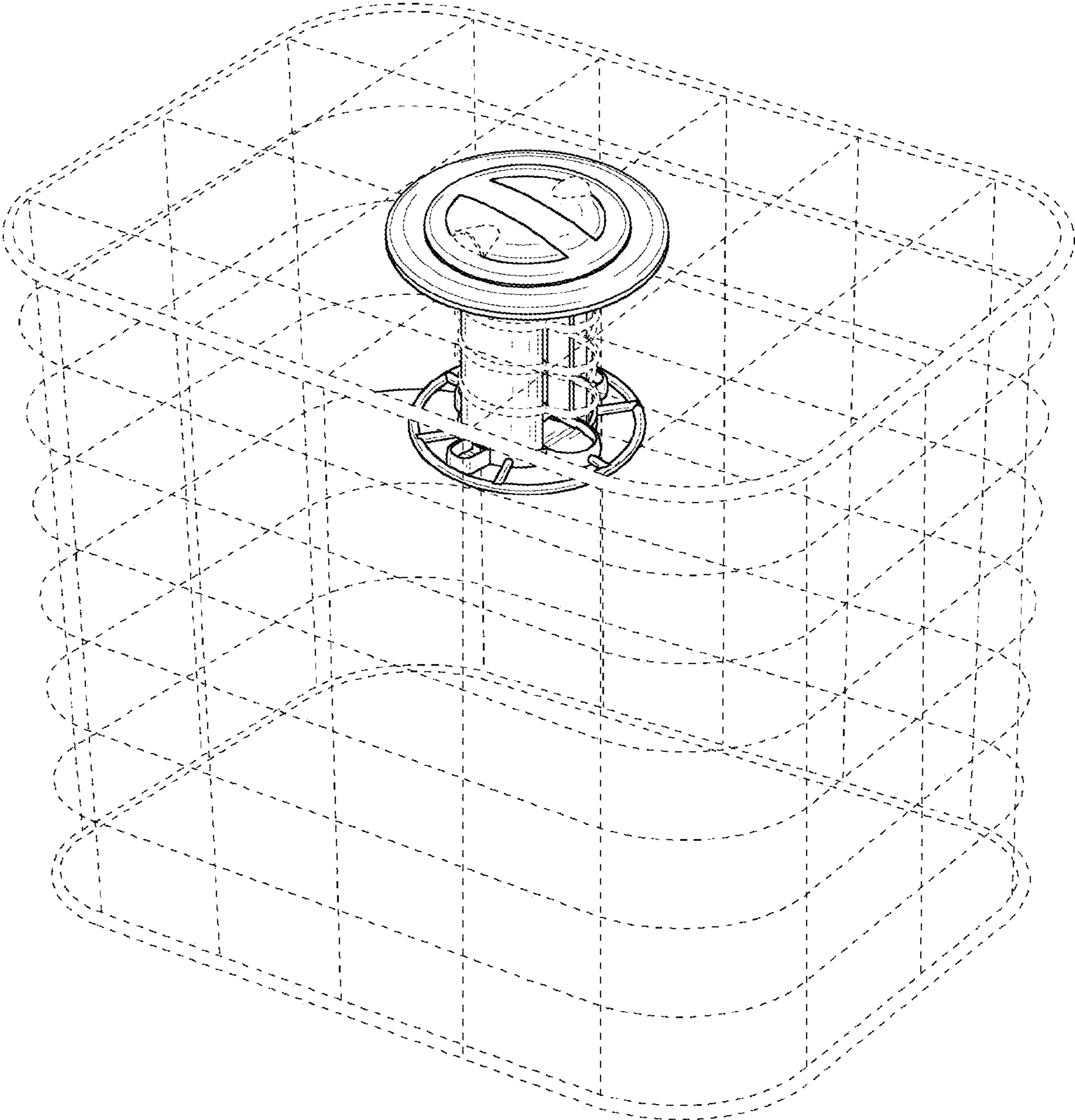


FIG. 8