



US00D893808S

(12) **United States Design Patent**  
**Lecina-Fabres et al.**

(10) **Patent No.:** **US D893,808 S**

(45) **Date of Patent:** **\*\* Aug. 18, 2020**

(54) **CAT HOUSE FOR CATS**

(71) Applicants: **Rosa Lecina-Fabres**, Barcelona (ES);  
**Pere Pla-Junca**, Coral Gables, FL (US)

(72) Inventors: **Rosa Lecina-Fabres**, Barcelona (ES);  
**Pere Pla-Junca**, Coral Gables, FL (US)

(\*\*) Term: **15 Years**

(21) Appl. No.: **29/625,180**

(22) Filed: **Nov. 7, 2017**

(51) **LOC (12) Cl.** ..... **30-02**

(52) **U.S. Cl.**  
USPC ..... **D30/114**

(58) **Field of Classification Search**

USPC ..... D30/108-120, 158, 160; D21/520;  
D6/601, 349, 595-597, 604, 382;  
D8/333, 343, 354, 366, 373, 382, 383;  
D25/48.1, 48.3, 152, 153, 154, 155, 156  
CPC ..... A01K 1/00; A01K 1/0272; A01K 1/0353;  
A01K 1/035; A01K 1/0017; A01K  
1/0245; A01K 1/0035; A01K 1/0151;  
A47C 21/02  
See application file for complete search history.

(56) **References Cited**

**U.S. PATENT DOCUMENTS**

D314,453 S \* 2/1991 Dewing ..... D30/108  
D315,430 S \* 3/1991 Robertson, Sr. .... D30/108  
D340,551 S \* 10/1993 Mitchell, Sr. .... D30/109  
D349,366 S \* 8/1994 Kuhn ..... D30/108  
D360,489 S \* 7/1995 Saylor ..... D30/108  
D396,734 S \* 8/1998 Koneke ..... D30/108  
D443,732 S \* 6/2001 Gelhar ..... D30/108  
D455,238 S \* 4/2002 Small ..... D30/108

D555,293 S \* 11/2007 Gourkow ..... D30/108  
D617,505 S \* 6/2010 Platt ..... D30/108  
D855,898 S \* 8/2019 Koskey, Jr. .... D30/108

\* cited by examiner

*Primary Examiner* — Sheryl Lane  
*Assistant Examiner* — Aula Soroush

(74) *Attorney, Agent, or Firm* — Klein, O'Neill & Singh,  
LLP

(57) **CLAIM**

The ornamental design for a cat house for cats, as shown and described.

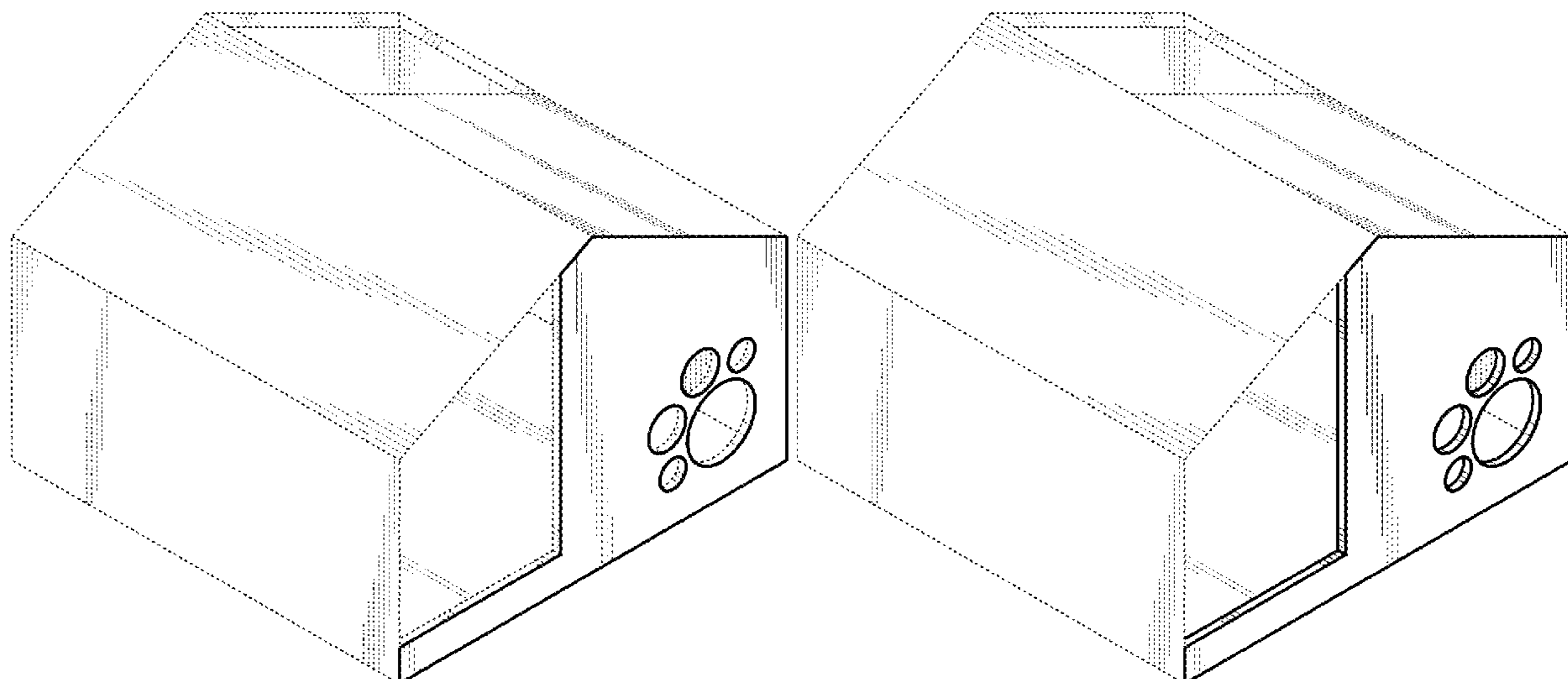
**DESCRIPTION**

FIG. 1 is a perspective view of a cat house for cats embodying the new design;  
FIG. 2 is a perspective view thereof, but viewed from another angle;  
FIG. 3 is a left side elevation view thereof;  
FIG. 4 is a right side elevation view thereof;  
FIG. 5 is a front elevation view thereof;  
FIG. 6 is a rear elevation view thereof;  
FIG. 7 is a top plan view thereof;  
FIG. 8 is a bottom plan view thereof;  
FIG. 9 is a perspective view of a second embodiment of a cat house for cats embodying the new design; and,  
FIG. 10 is a perspective view thereof, but viewed from another angle.

Broken lines are used to illustrate features of the cat house for cats which form no part of the claimed design.

It will be understood that the first and second embodiments are identical to one another and to the first embodiment with the exception of the disclaimed walls or panels of the cat house for cats, shown in broken lines.

**1 Claim, 10 Drawing Sheets**



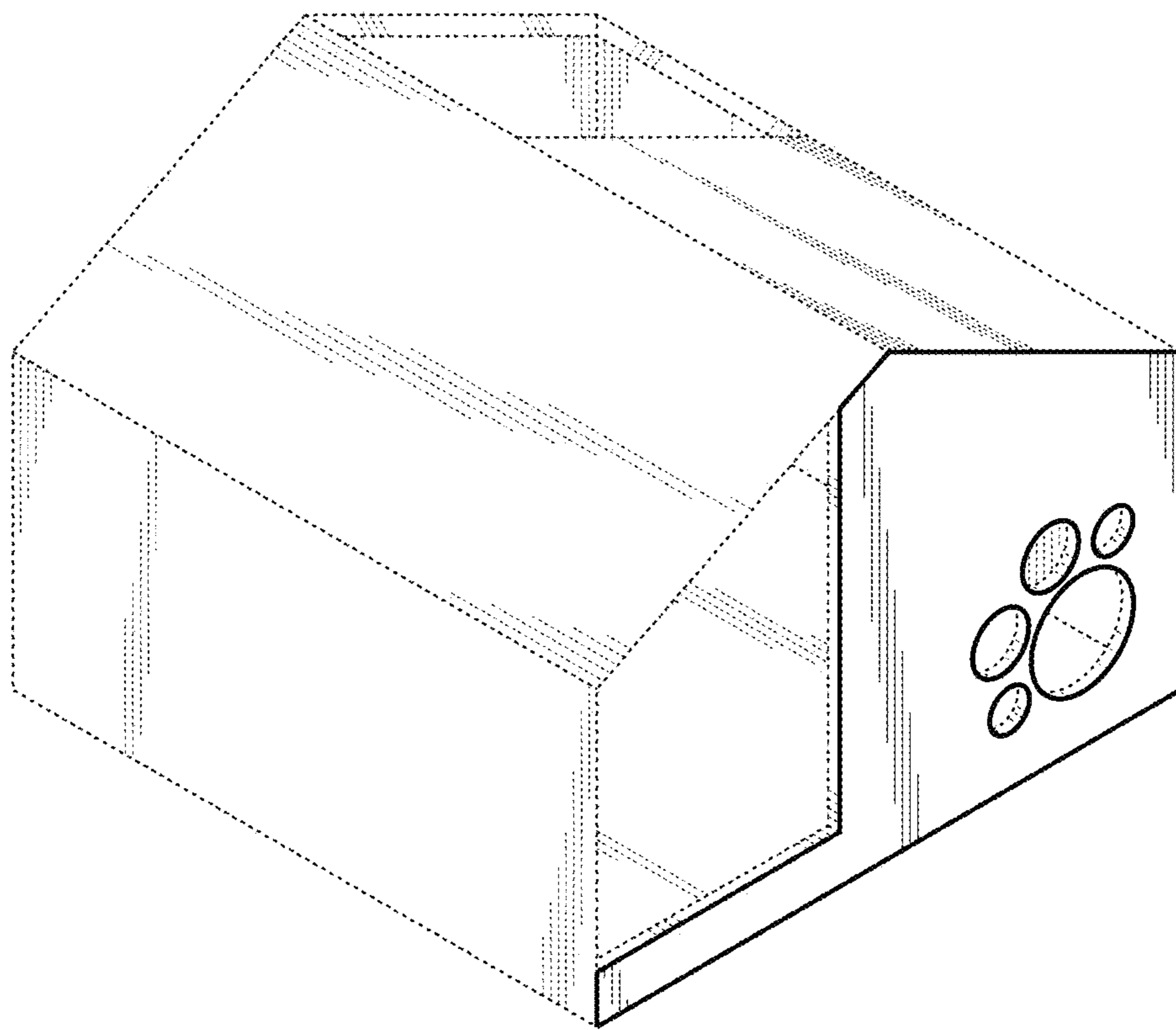


FIG. 1

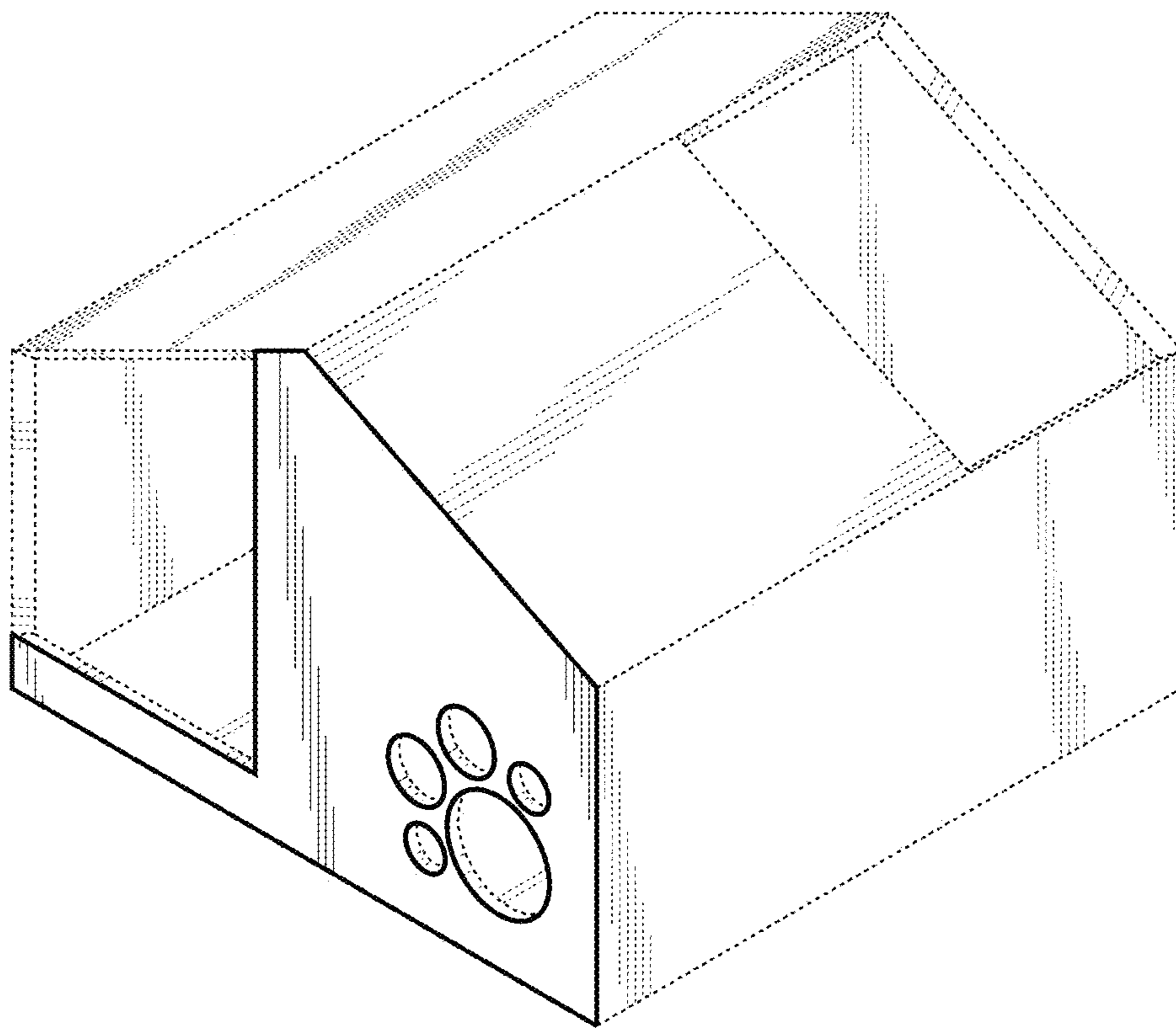


FIG. 2

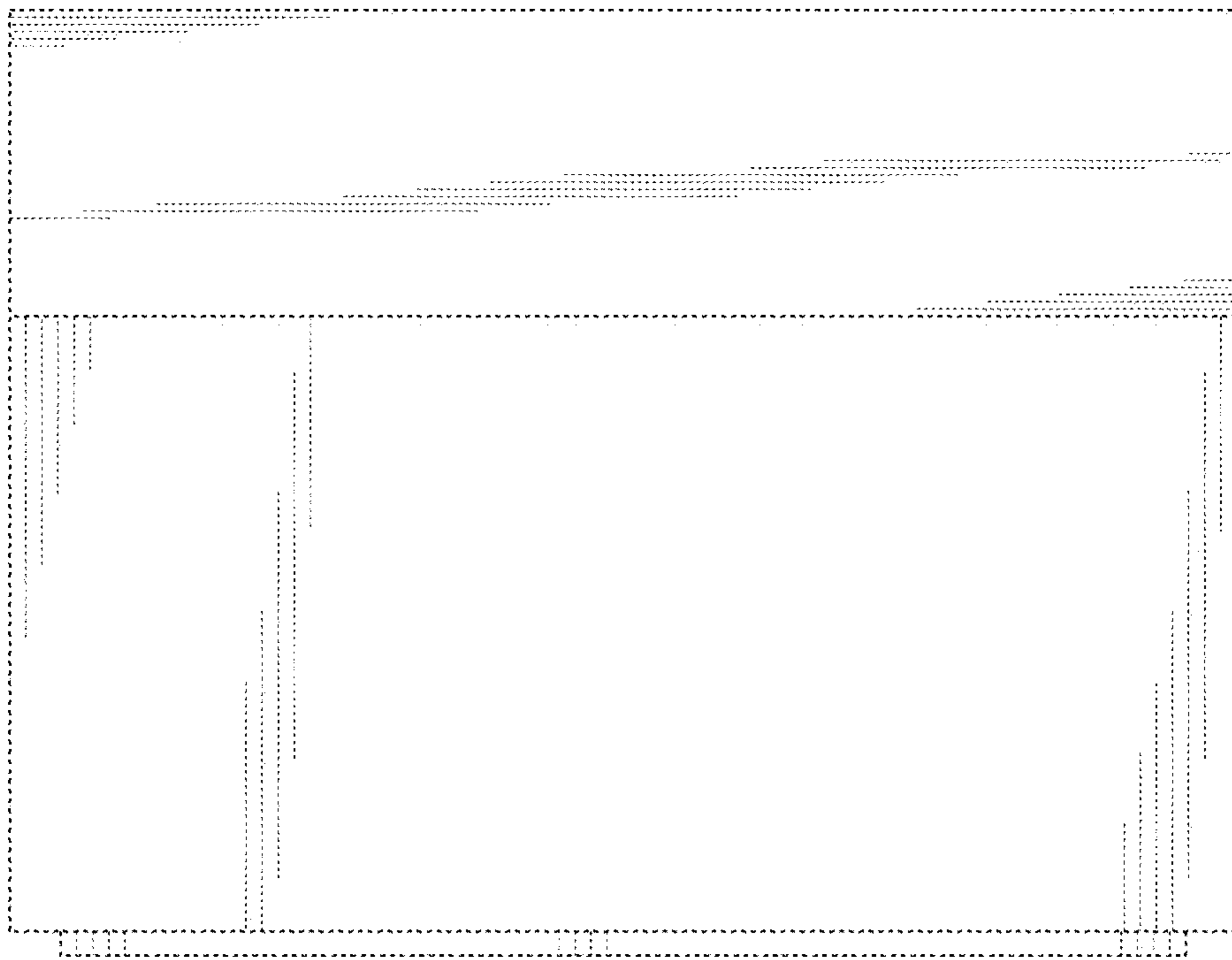


FIG. 3

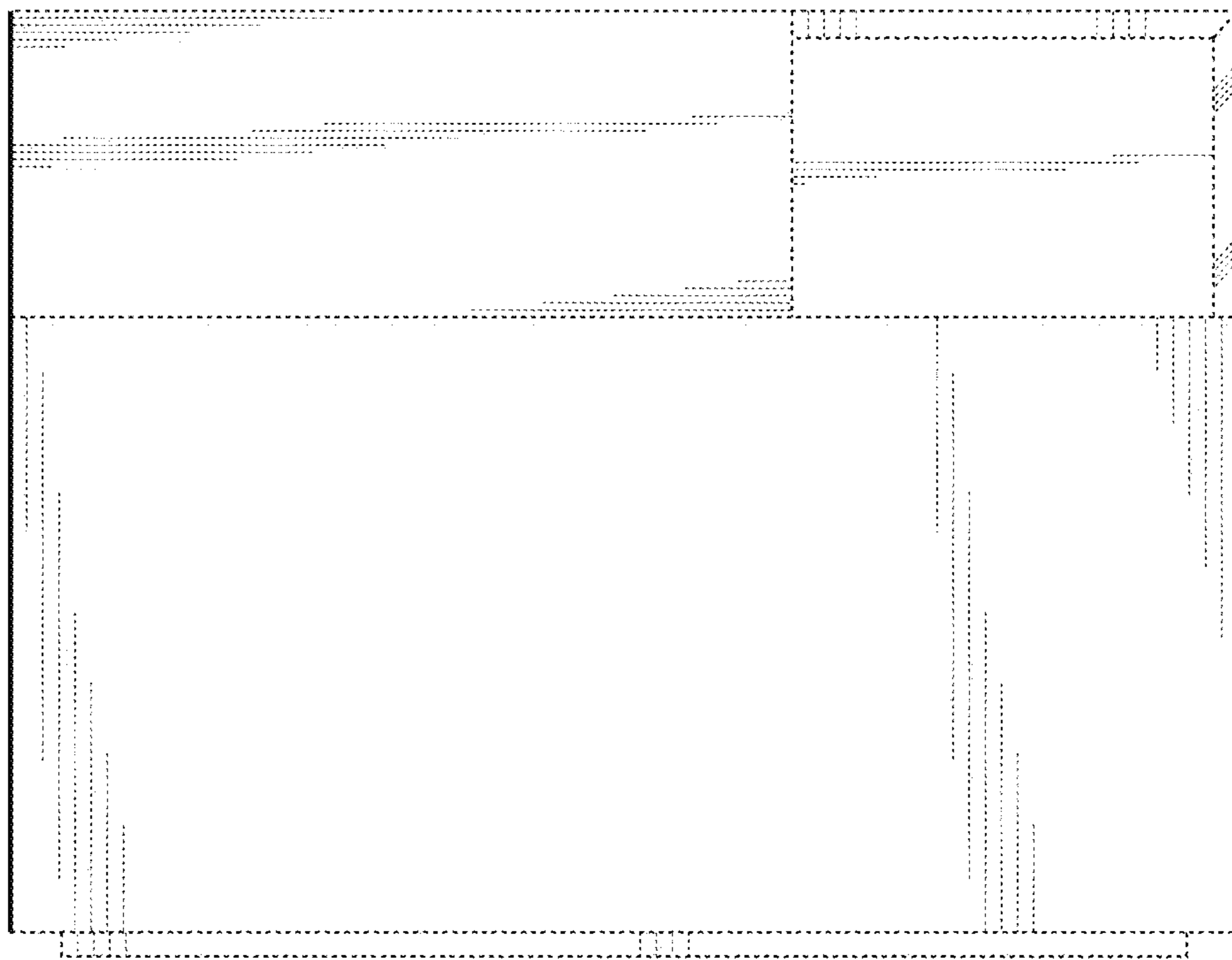


FIG. 4

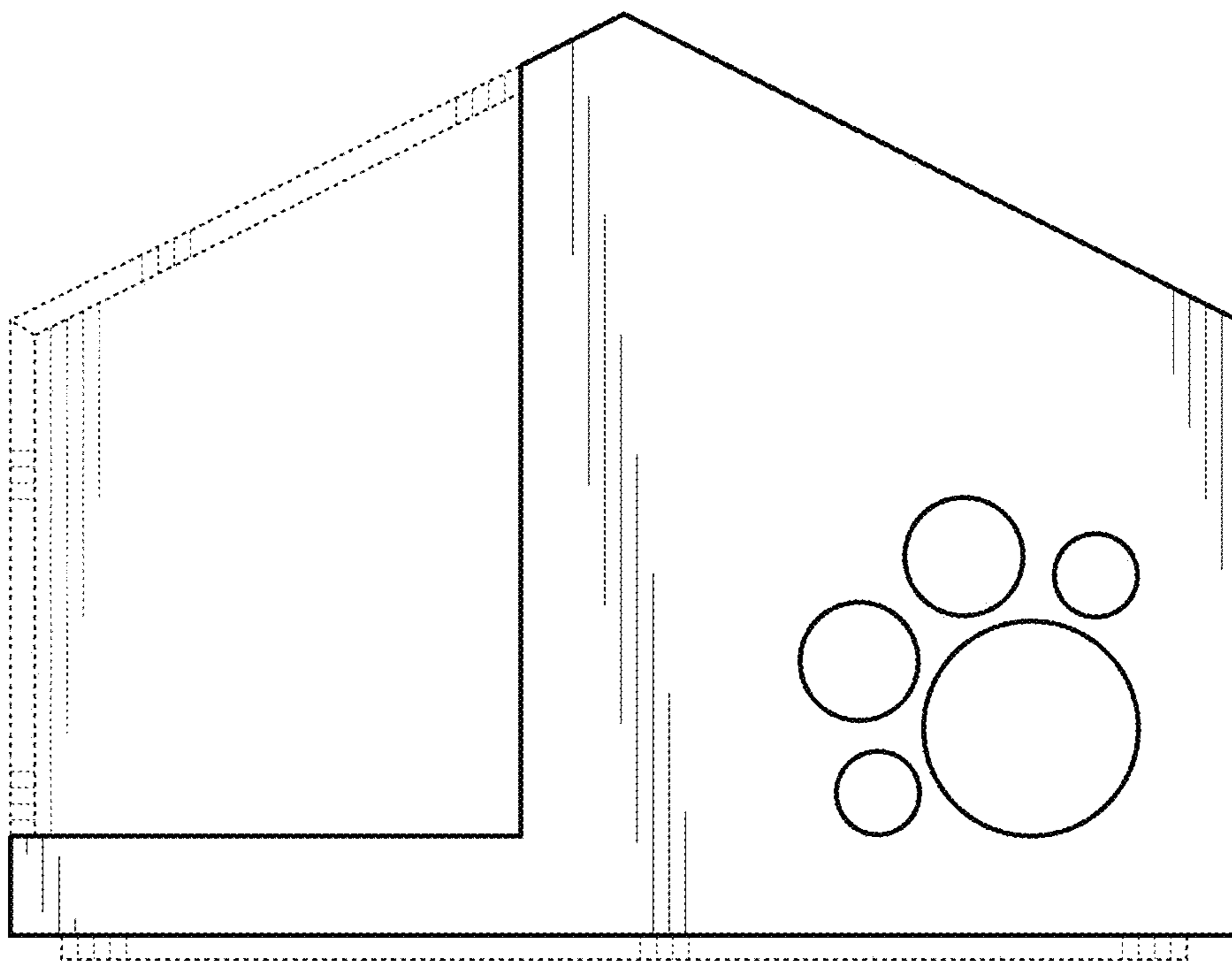


FIG. 5

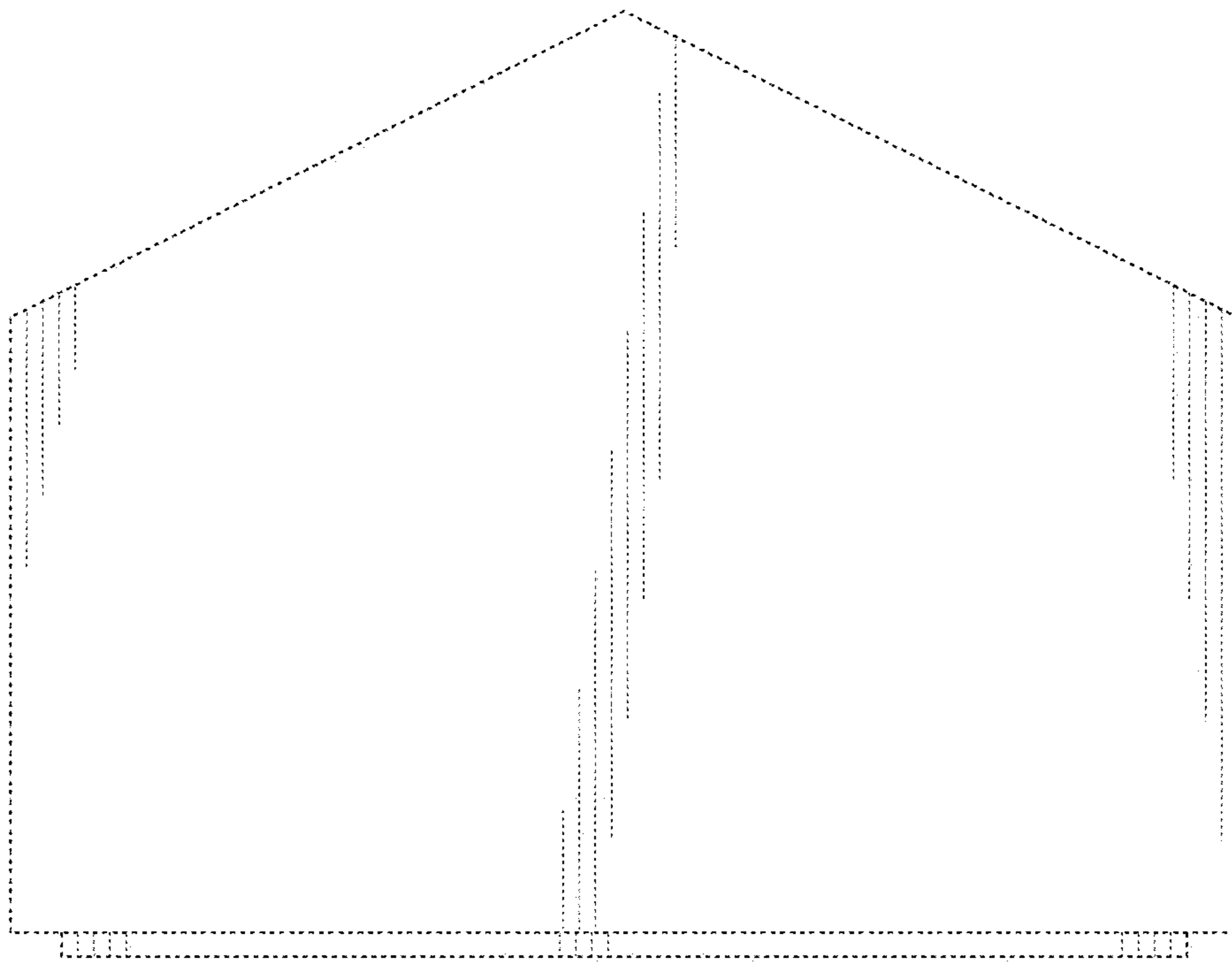


FIG. 6

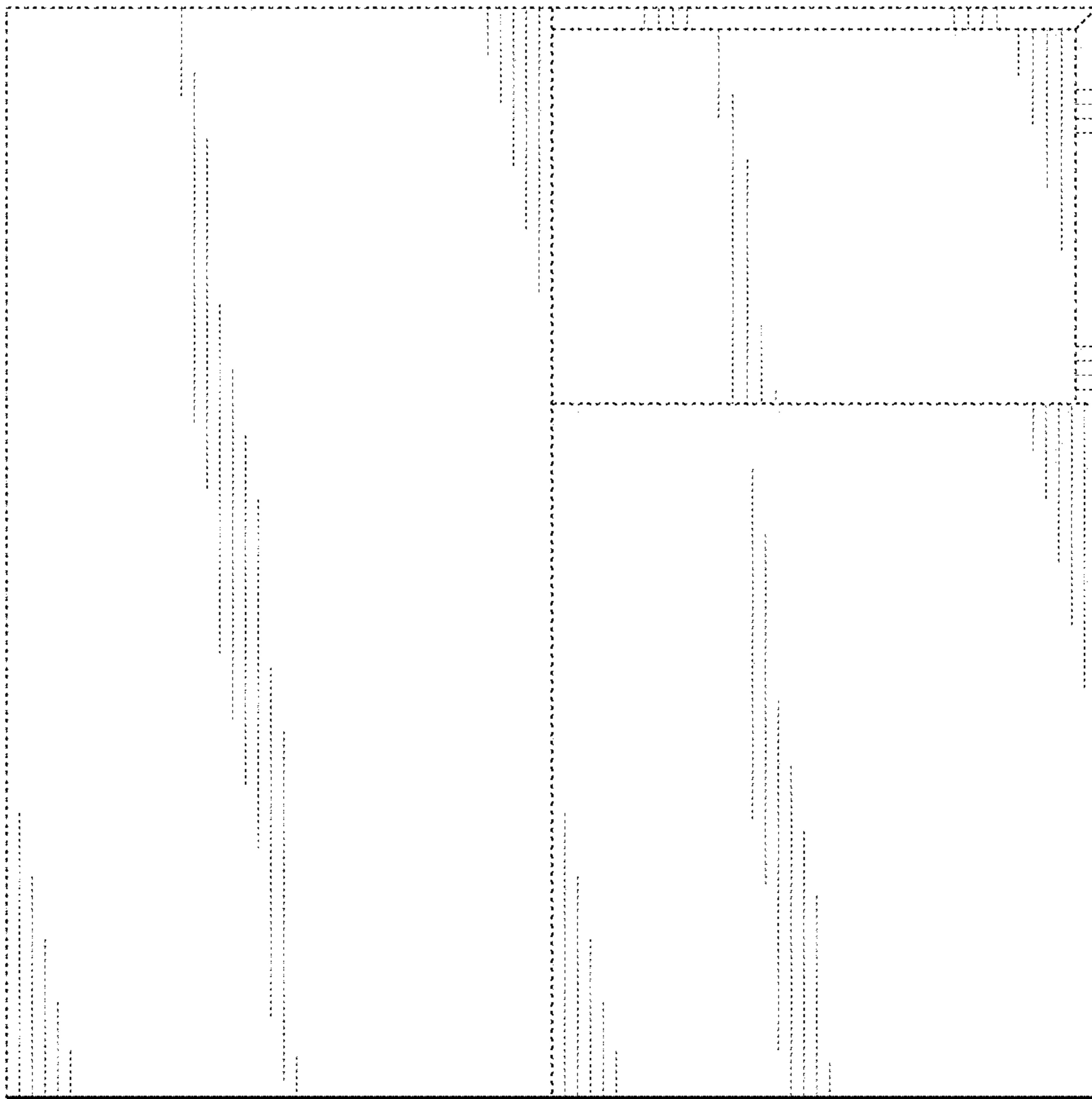


FIG. 7



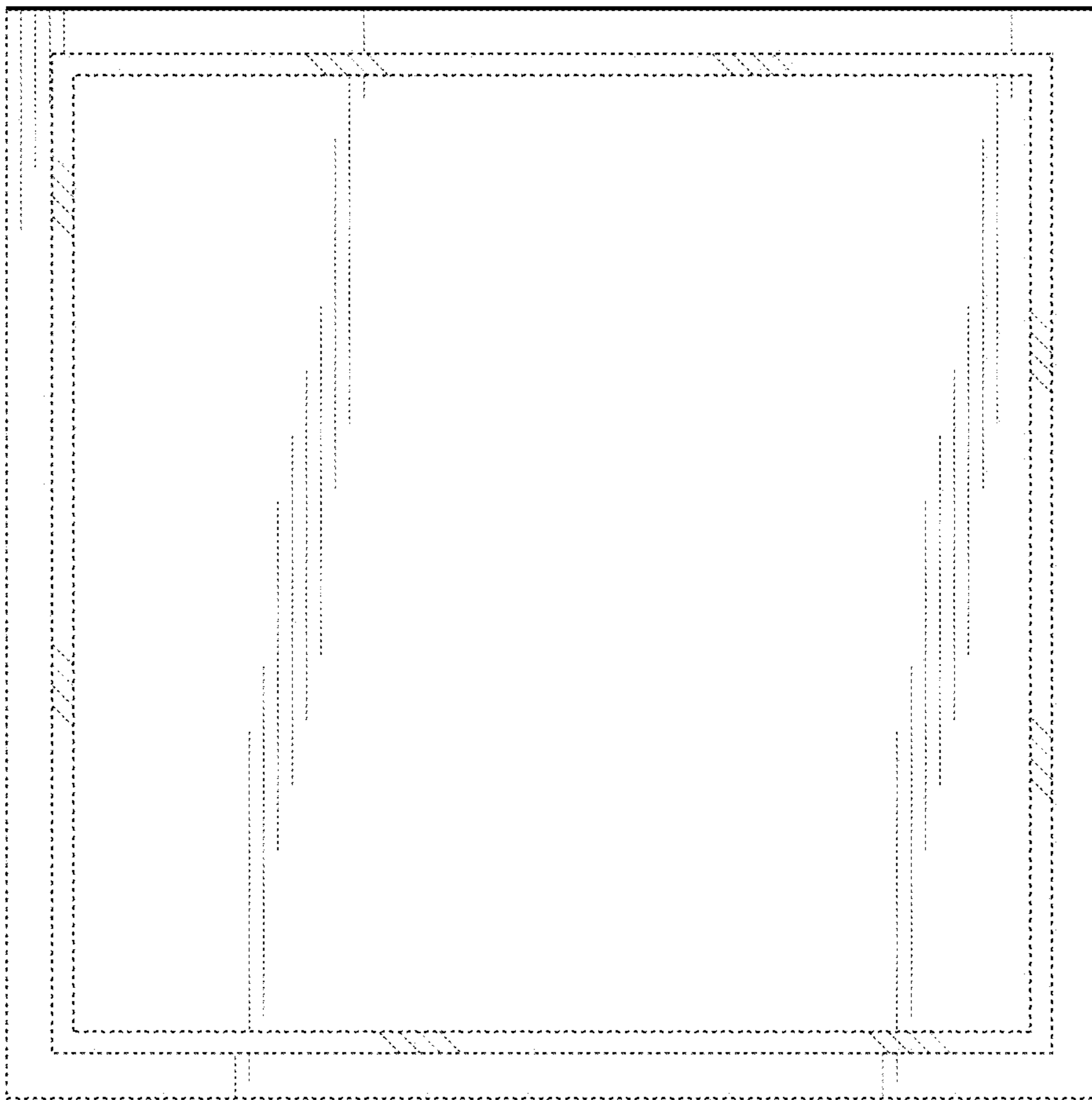


FIG. 8

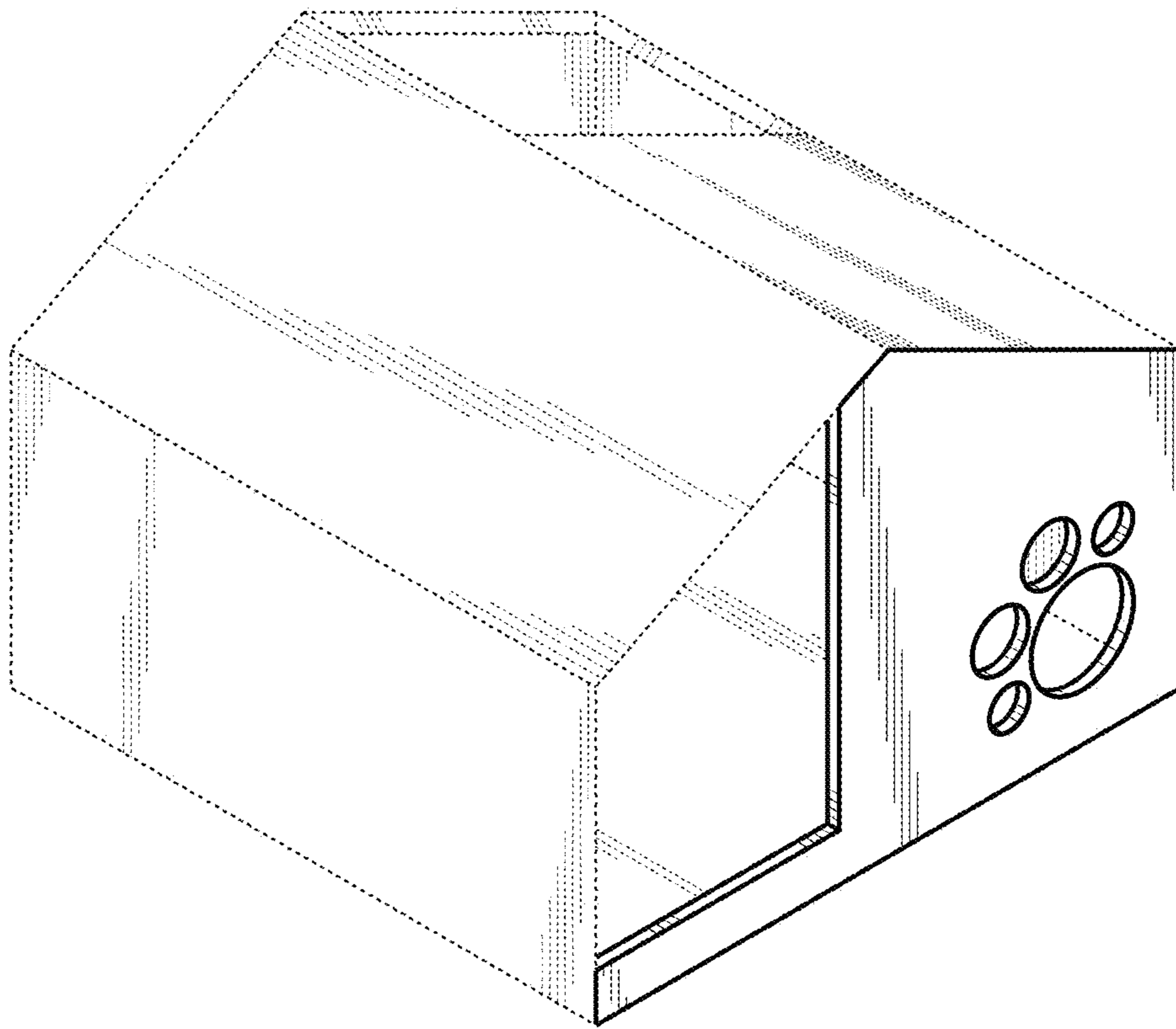


FIG. 9

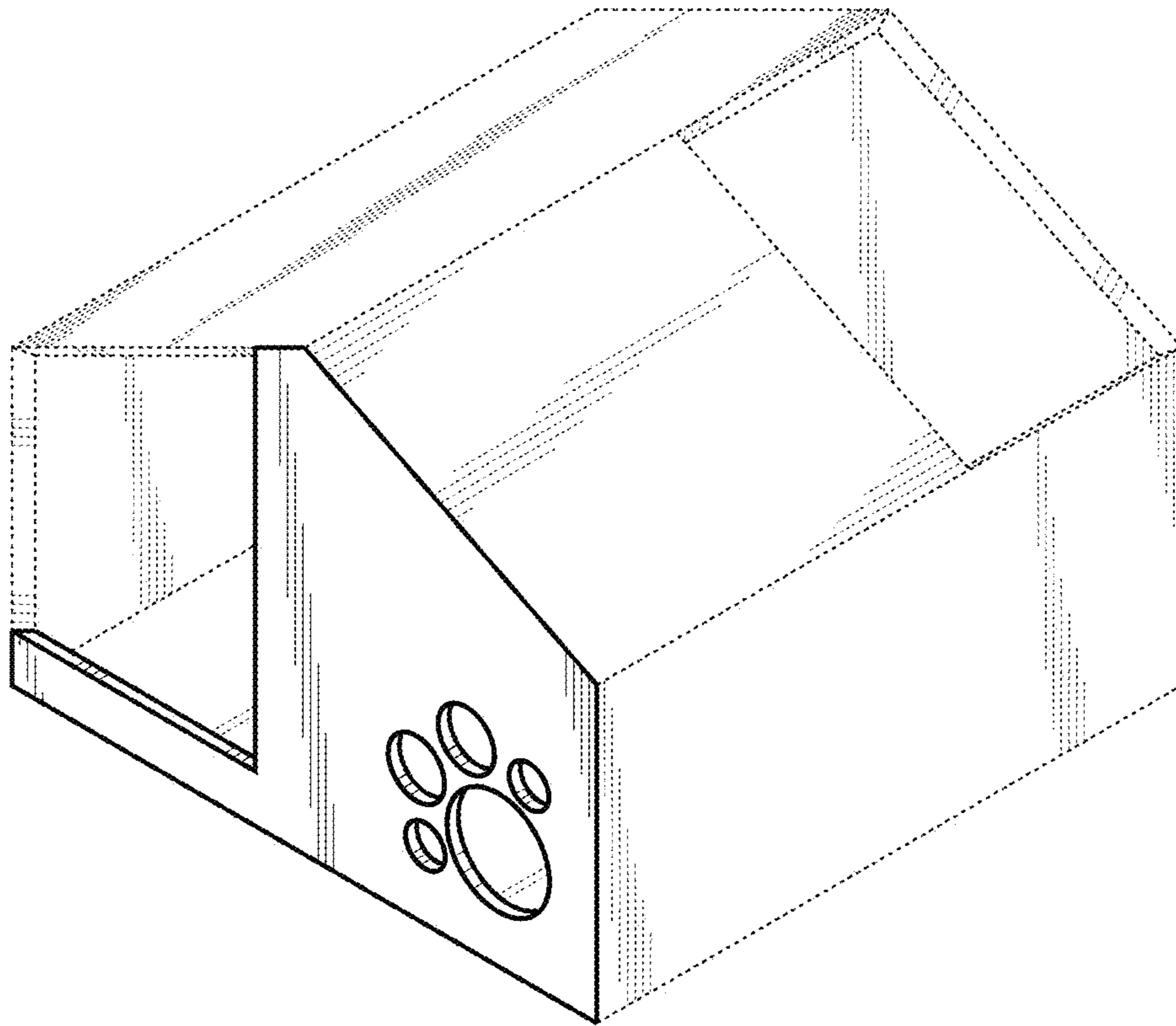


FIG. 10