



US00D893805S

(12) **United States Design Patent**  
**Massey**

(10) **Patent No.:** **US D893,805 S**

(45) **Date of Patent:** **\*\* Aug. 18, 2020**

(54) **DUAL HEAD DENTAL FLOSS PICK**

(71) Applicant: **Clint Massey**, St. Louis, MO (US)

(72) Inventor: **Clint Massey**, St. Louis, MO (US)

(\*\*) Term: **15 Years**

(21) Appl. No.: **29/686,018**

(22) Filed: **Apr. 2, 2019**

(51) **LOC (12) Cl.** ..... **28-03**

(52) **U.S. Cl.**  
USPC ..... **D28/66**

(58) **Field of Classification Search**

USPC ..... D28/65-68; D24/152

CPC ..... A61C 15/00; A61C 15/04; A61C 15/046;  
A61C 15/047; A61C 15/048

See application file for complete search history.

(56) **References Cited**

**U.S. PATENT DOCUMENTS**

D268,955 S *	5/1983	Givens	132/323
4,434,806 A *	3/1984	Givens	A61C 15/046 132/323
D286,684 S *	11/1986	Shao	D28/68
8,069,865 B1	12/2011	Winter	
D738,045 S *	9/2015	Lam	D28/68
9,717,575 B2	8/2017	Chodorow et al.	

2012/0111348 A1 5/2012 Prokopchuk et al.

2014/0326274 A1 11/2014 Kollar et al.

2016/0278894 A1 9/2016 Xu

\* cited by examiner

*Primary Examiner* — Zenia I Bennett

(74) *Attorney, Agent, or Firm* — Boudwin Intellectual Property; Daniel Boudwin

(57) **CLAIM**

The ornamental design for a dual head dental floss pick, as shown and described.

**DESCRIPTION**

FIG. 1 shows a perspective view of a dual head dental floss pick;

FIG. 2 shows a top plan view of the dual head dental floss pick;

FIG. 3 shows a bottom plan view of the dual head dental floss pick;

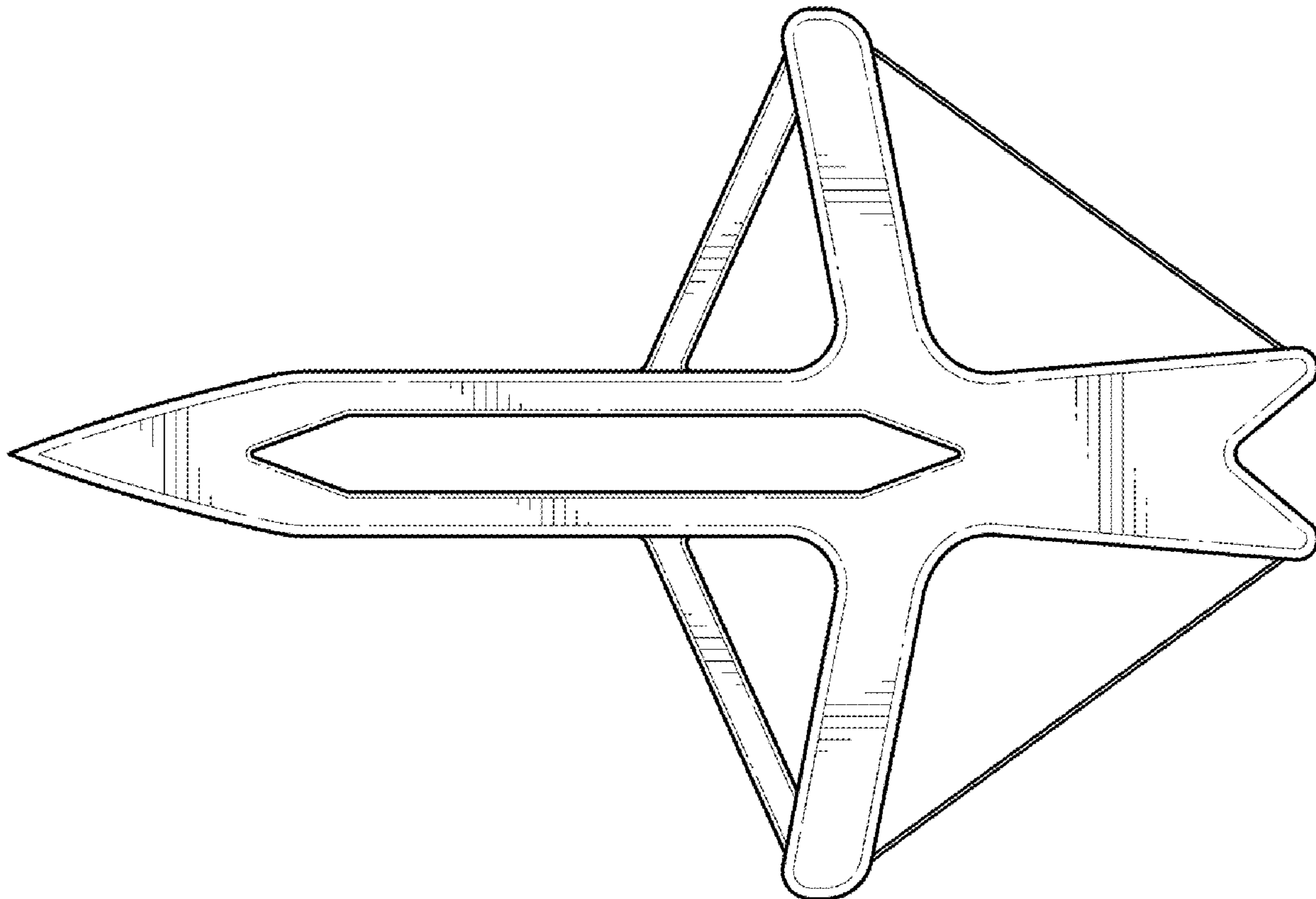
FIG. 4 shows a right side view of the dual head dental floss pick;

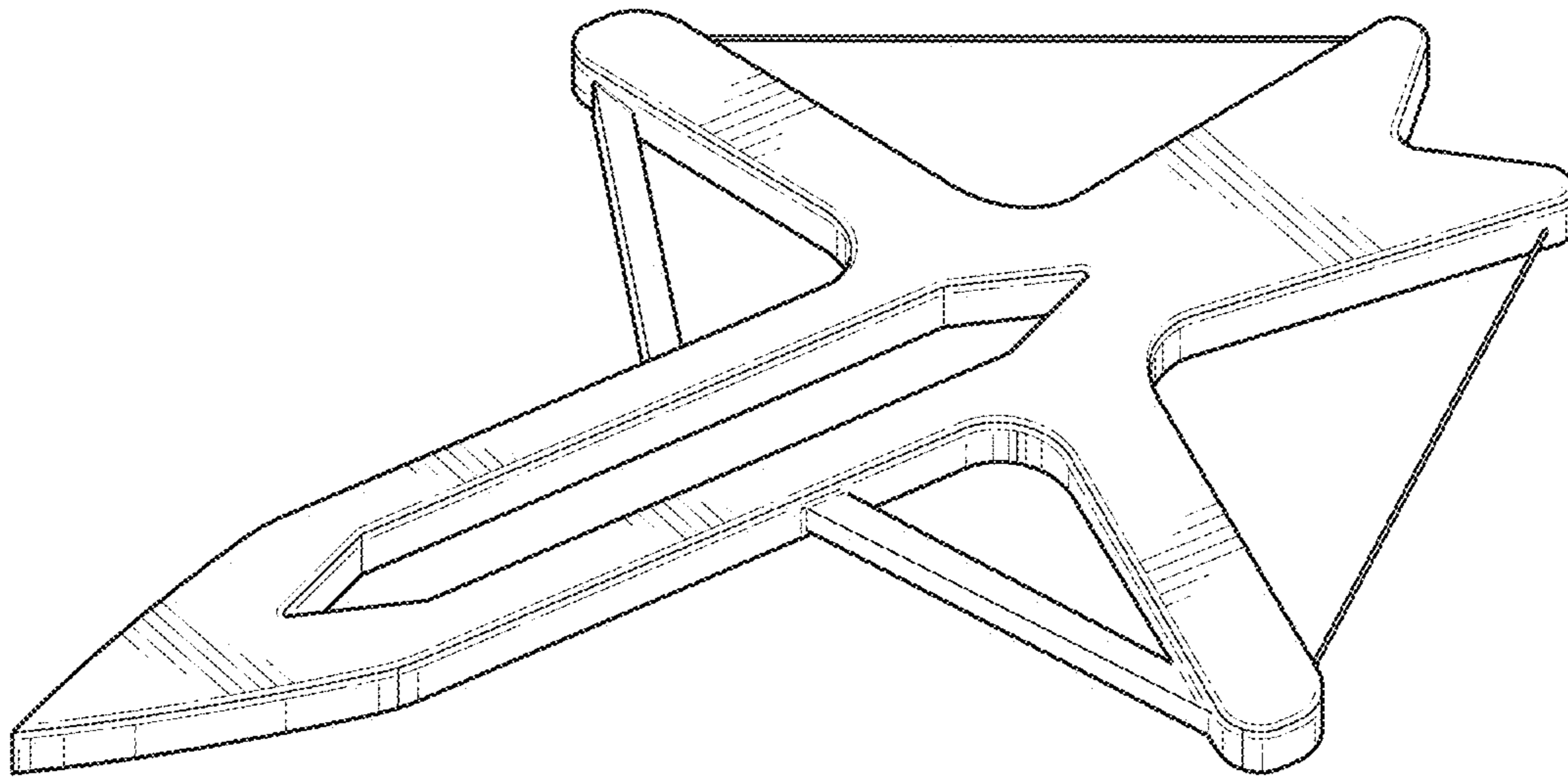
FIG. 5 shows a left side view of the dual head dental floss pick;

FIG. 6 shows a rear view of the dual head dental floss pick; and,

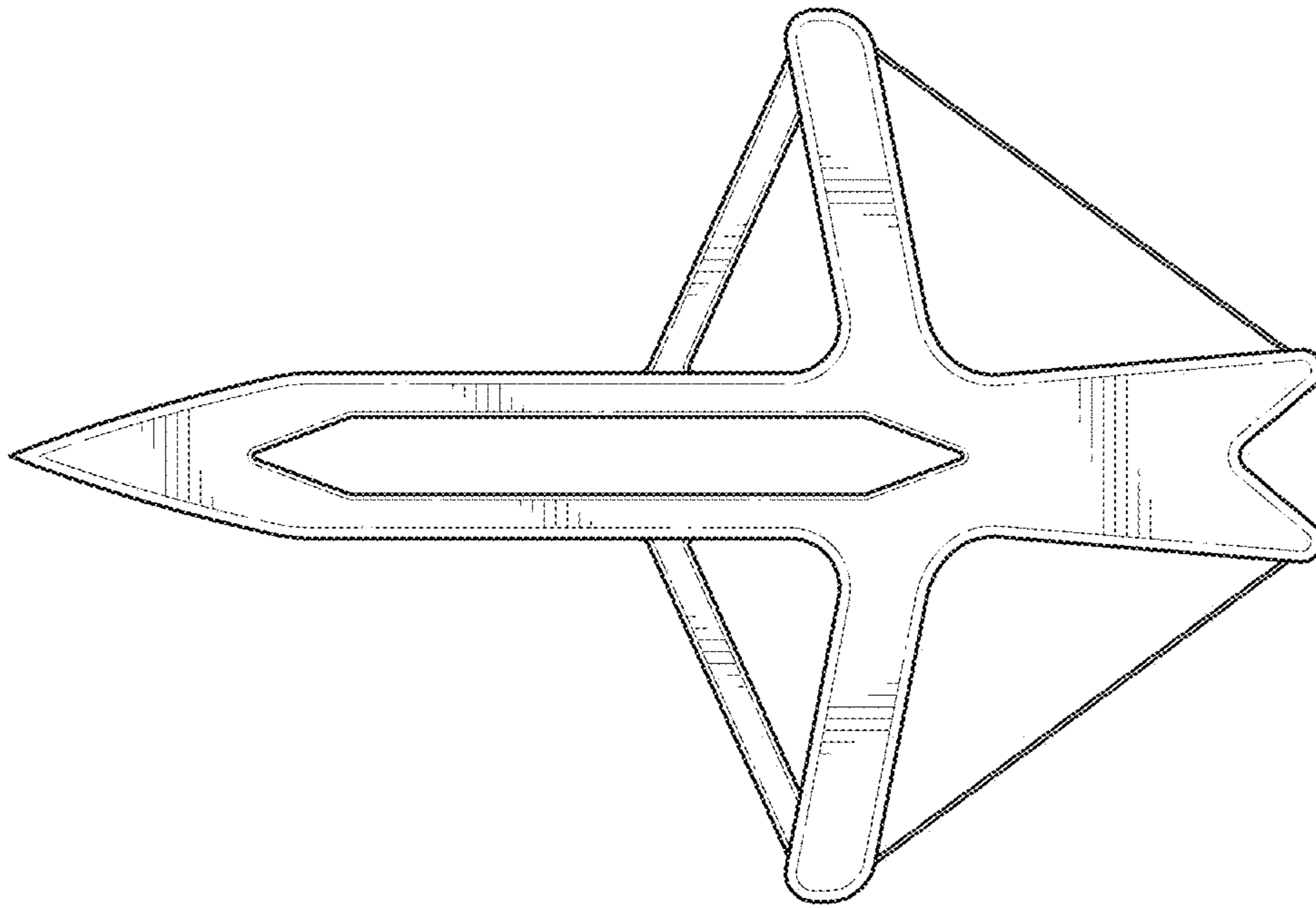
FIG. 7 shows a front view of the dual head dental floss pick. The shade lines in the Figures show contour and not surface ornamentation.

**1 Claim, 4 Drawing Sheets**

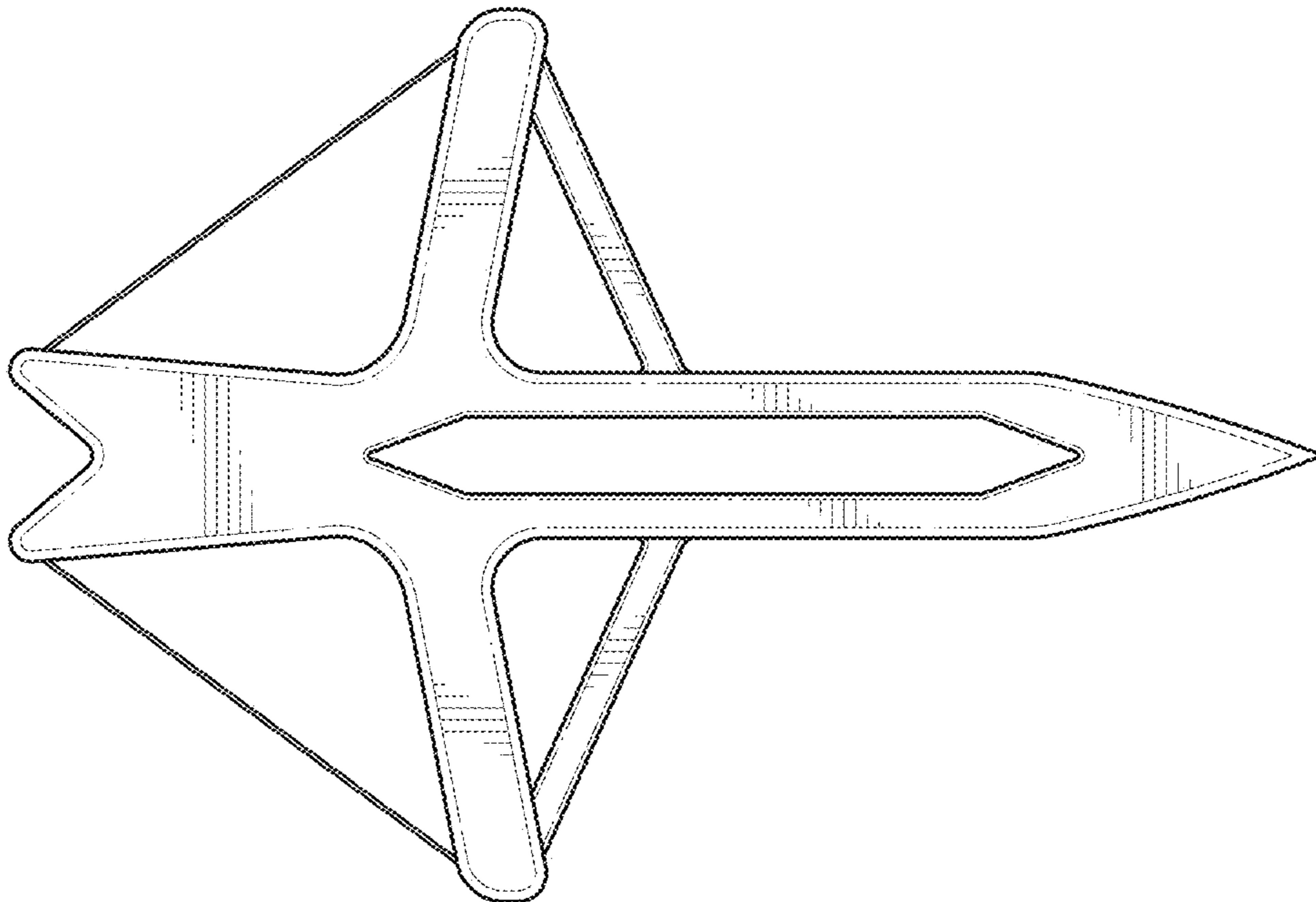




**FIG. 1**



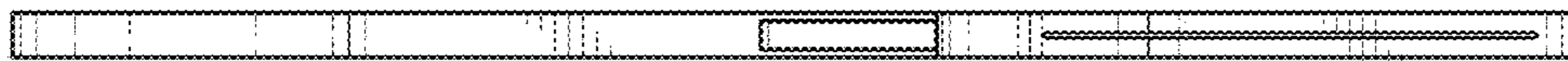
**FIG. 2**



**FIG. 3**



**FIG. 4**



**FIG. 5**



**FIG. 6**



**FIG. 7**