



US00D893799S

(12) **United States Design Patent** (10) **Patent No.:** **US D893,799 S**
Hollmann-Raabe et al. (45) **Date of Patent:** **** Aug. 18, 2020**

(54) **COSMETICS PENCIL**

(71) Applicant: **Schwan-STABILO Cosmetics GmbH & Co. KG**, Heroldsberg (DE)

(72) Inventors: **Katrin Hollmann-Raabe**, Schwaig bei Nürnberg (DE); **Stefanie Strittmatter**, Lauf an der Pegnitz (DE); **Kristina Lankes**, Heideck (DE)

(73) Assignee: **SCHWAN-STABILO COSMETICS GMBH & CO. KG**, Heroldsberg (DE)

(**) Term: **15 Years**

(21) Appl. No.: **29/649,810**

(22) Filed: **Jun. 1, 2018**

(51) **LOC (12) Cl.** **28-03**

(52) **U.S. Cl.**
USPC **D28/7**

(58) **Field of Classification Search**
USPC D28/7, 8, 20-22, 30-31, 76, 85, 99;
D19/178-186
CPC B43K 19/00; C09D 13/00
See application file for complete search history.

(56) **References Cited**

U.S. PATENT DOCUMENTS

D243,886 S * 3/1977 Rho D28/7
D260,559 S * 9/1981 Scalice D28/7
D311,258 S * 10/1990 Jankewitz D28/7
5,897,264 A * 4/1999 Baudino B43K 1/00
401/199
D443,104 S * 5/2001 Coates D28/7

(Continued)

Primary Examiner — Zenia I Bennett

(74) *Attorney, Agent, or Firm* — Angela Holt; Bradley Arant Boult Cummings LLP

(57) **CLAIM**

The ornamental design for a cosmetics pencil, as shown and described.

DESCRIPTION

FIG. 1 is a rear perspective view of a cosmetics pencil, shown without a cap for convenience of illustration.

FIG. 2 is a top view of the cosmetics pencil of FIG. 1.

FIG. 3 is a bottom view of the cosmetics pencil of FIG. 1.

FIG. 4 is a front perspective view of the cosmetics pencil of FIG. 1.

FIG. 5 is a side view of the cosmetics pencil of FIG. 1.

FIG. 6 is a front end view of the cosmetics pencil of FIG. 1.

FIG. 7 is a rear end view of the cosmetics pencil of FIG. 1.

FIG. 8 is a rear perspective view of a second embodiment of a cosmetics pencil with a cap.

FIG. 9 is a top view of the cosmetics pencil of FIG. 8.

FIG. 10 is a bottom view of the cosmetics pencil of FIG. 8.

FIG. 11 is a front perspective view of the cosmetics pencil of FIG. 8.

FIG. 12 is a side view of the cosmetics pencil of FIG. 8.

FIG. 13 is a front end view of the cosmetics pencil of FIG. 8.

FIG. 14 is a rear end view of the cosmetics pencil of FIG. 8.

FIG. 15 is a front perspective view of a third embodiment of the cosmetics pencil with a cap.

FIG. 16 is a top view of the cosmetics pencil of FIG. 15.

FIG. 17 is a bottom view of the cosmetics pencil of FIG. 15.

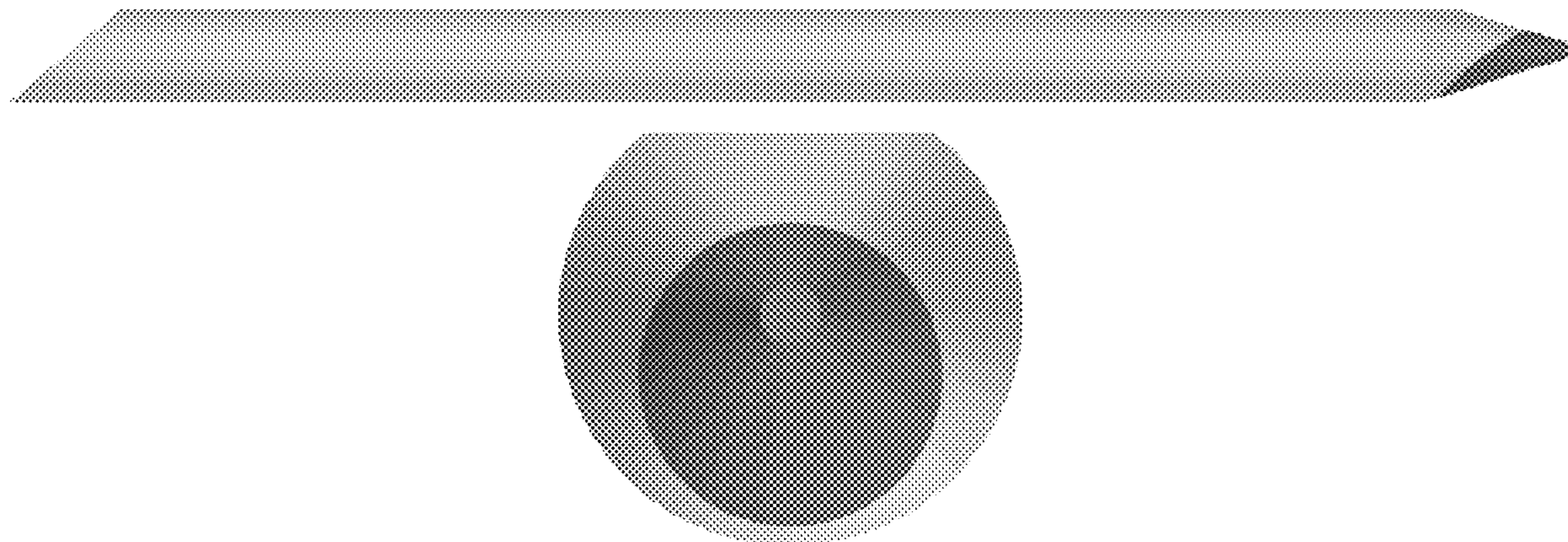
FIG. 18 is a rear perspective view of the cosmetics pencil of FIG. 15.

FIG. 19 is a side view of the cosmetics pencil of FIG. 15.

FIG. 20 is a front end view of the cosmetics pencil of FIG. 15; and,

FIG. 21 is a rear end view of the cosmetics pencil of FIG. 15.

1 Claim, 6 Drawing Sheets



(56)

References Cited

U.S. PATENT DOCUMENTS

6,409,407 B1 * 6/2002 Schweizer B43K 19/00
362/118
D762,919 S * 8/2016 Bauer D28/7

* cited by examiner

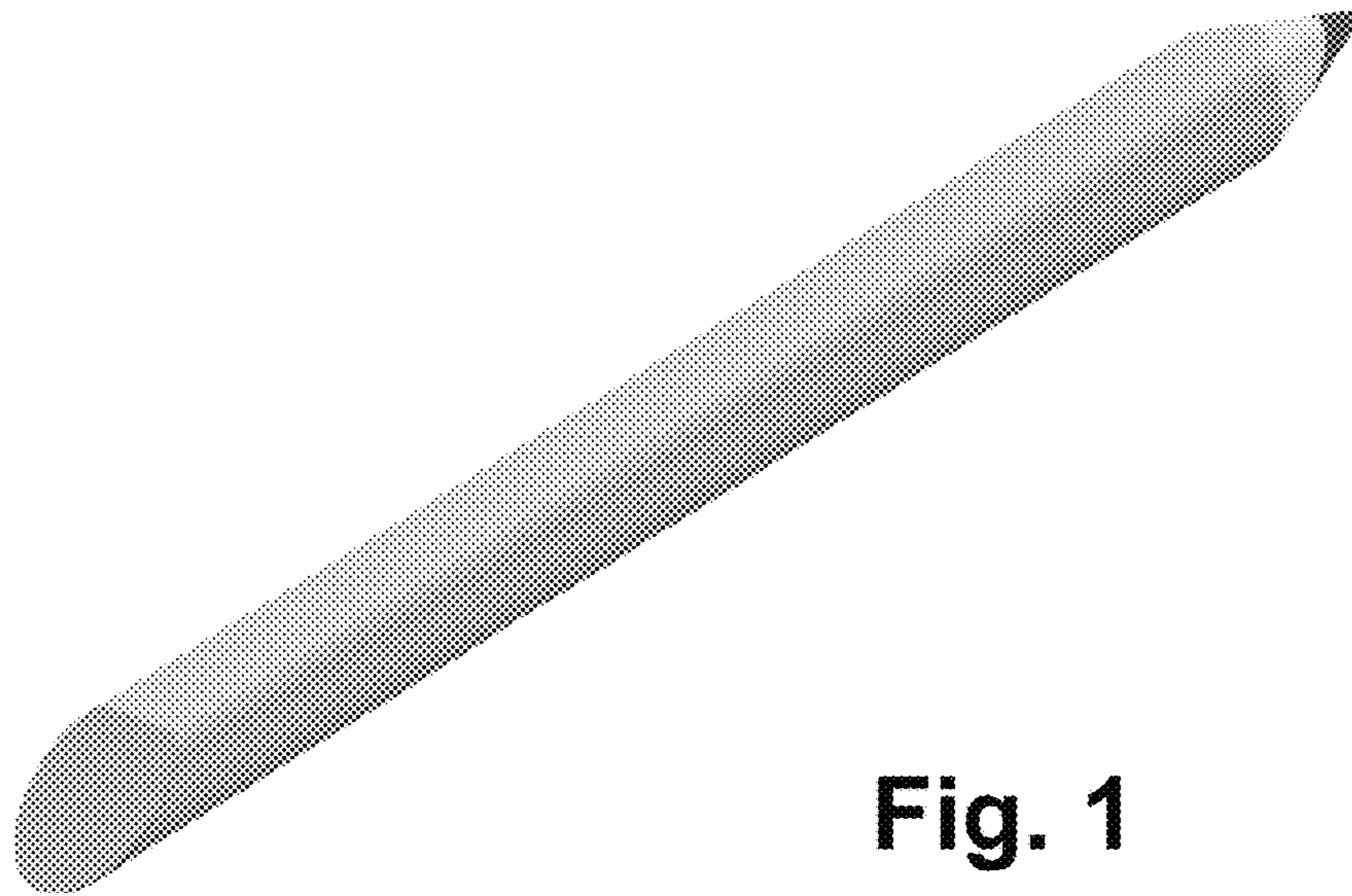


Fig. 1



Fig. 2



Fig. 3

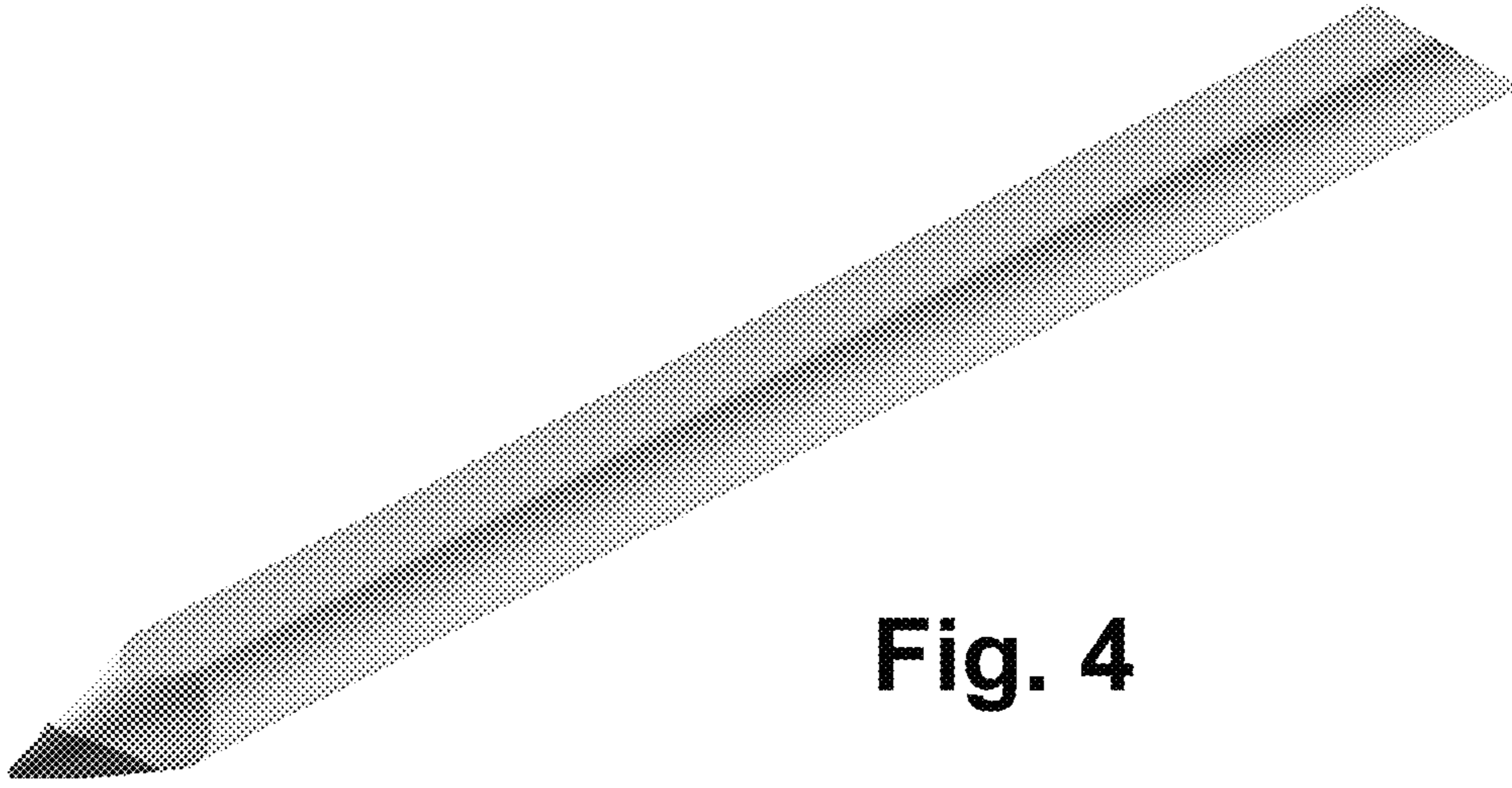


Fig. 4



Fig. 5

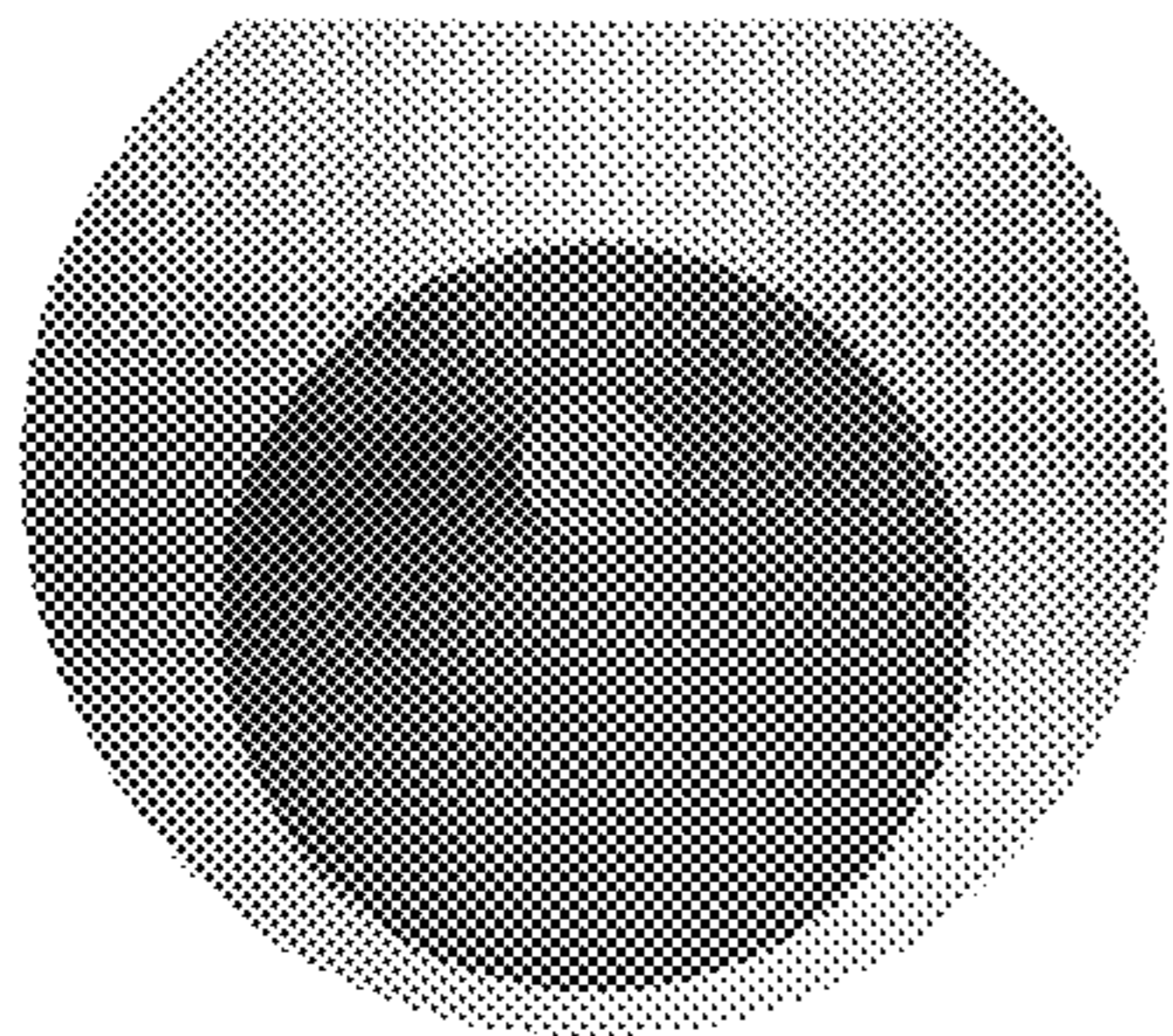


Fig. 6

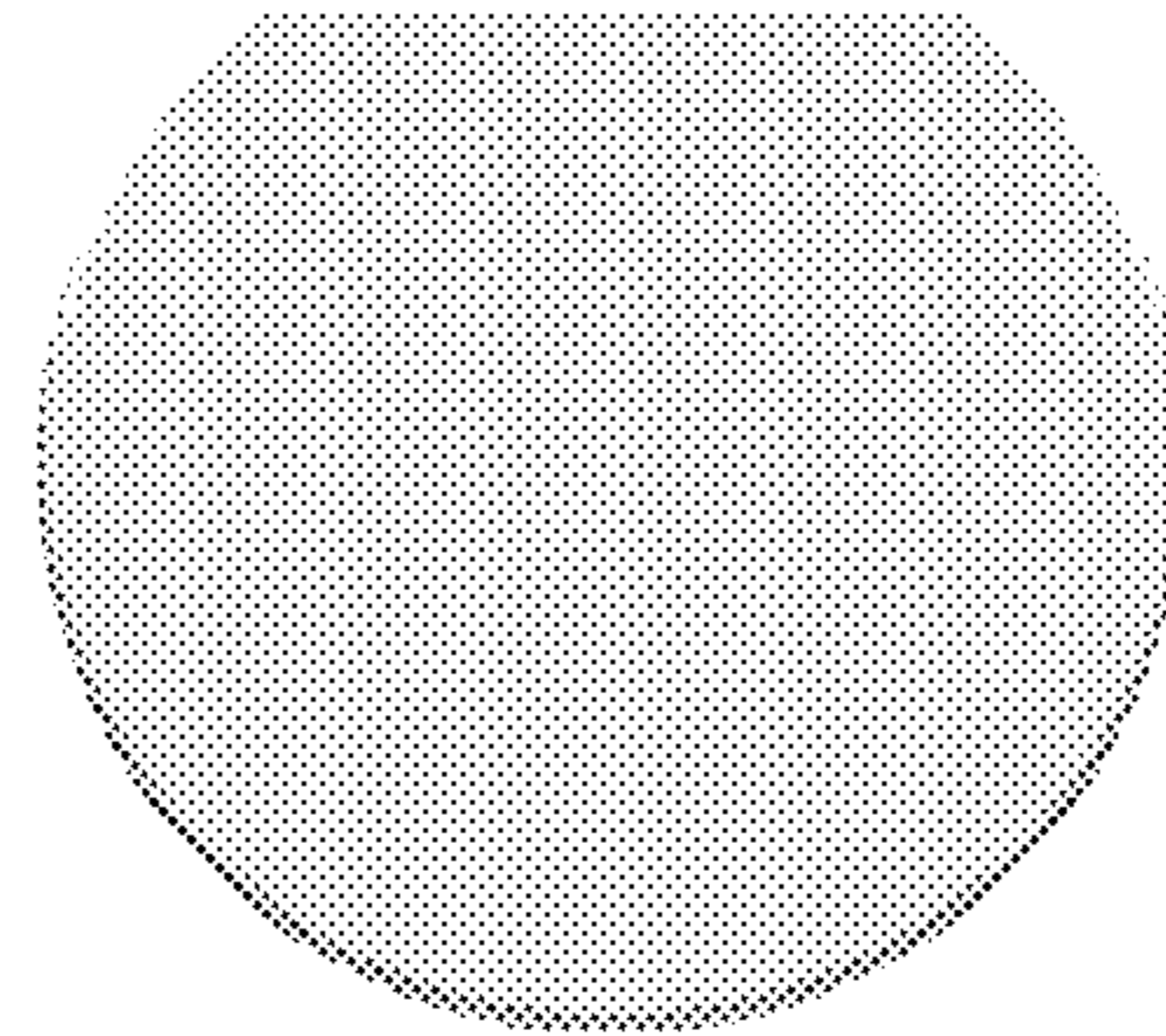


Fig. 7

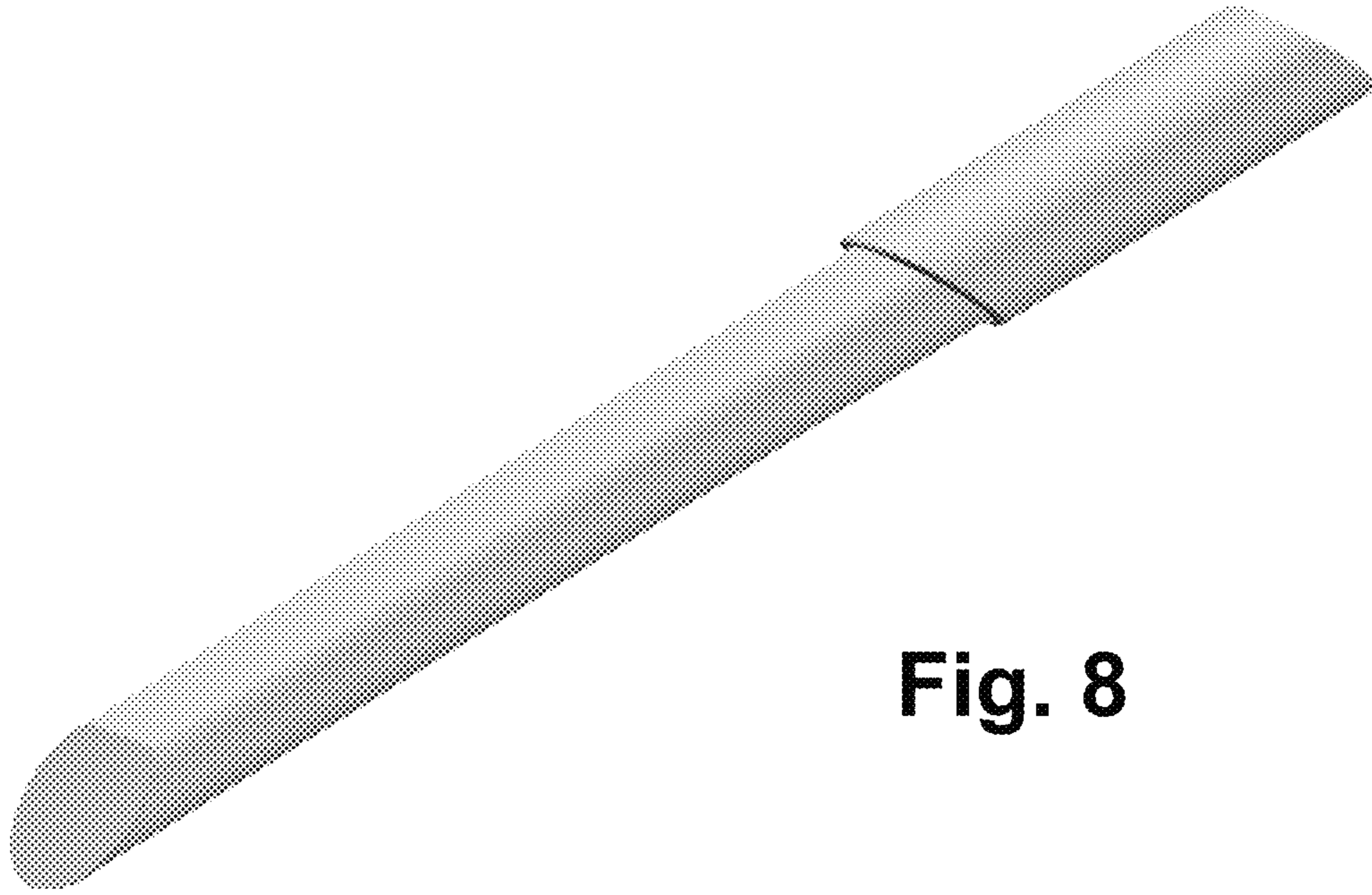


Fig. 8

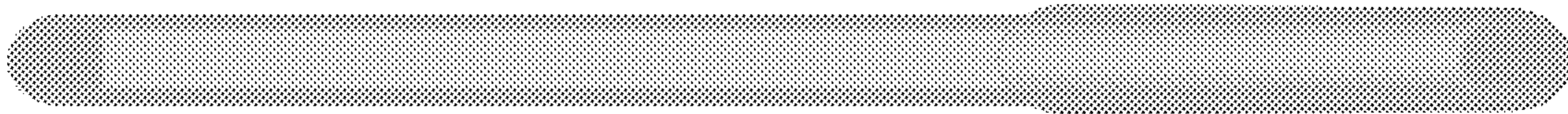


Fig. 9

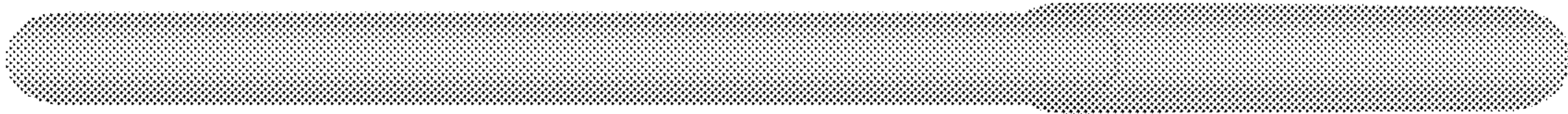


Fig. 10

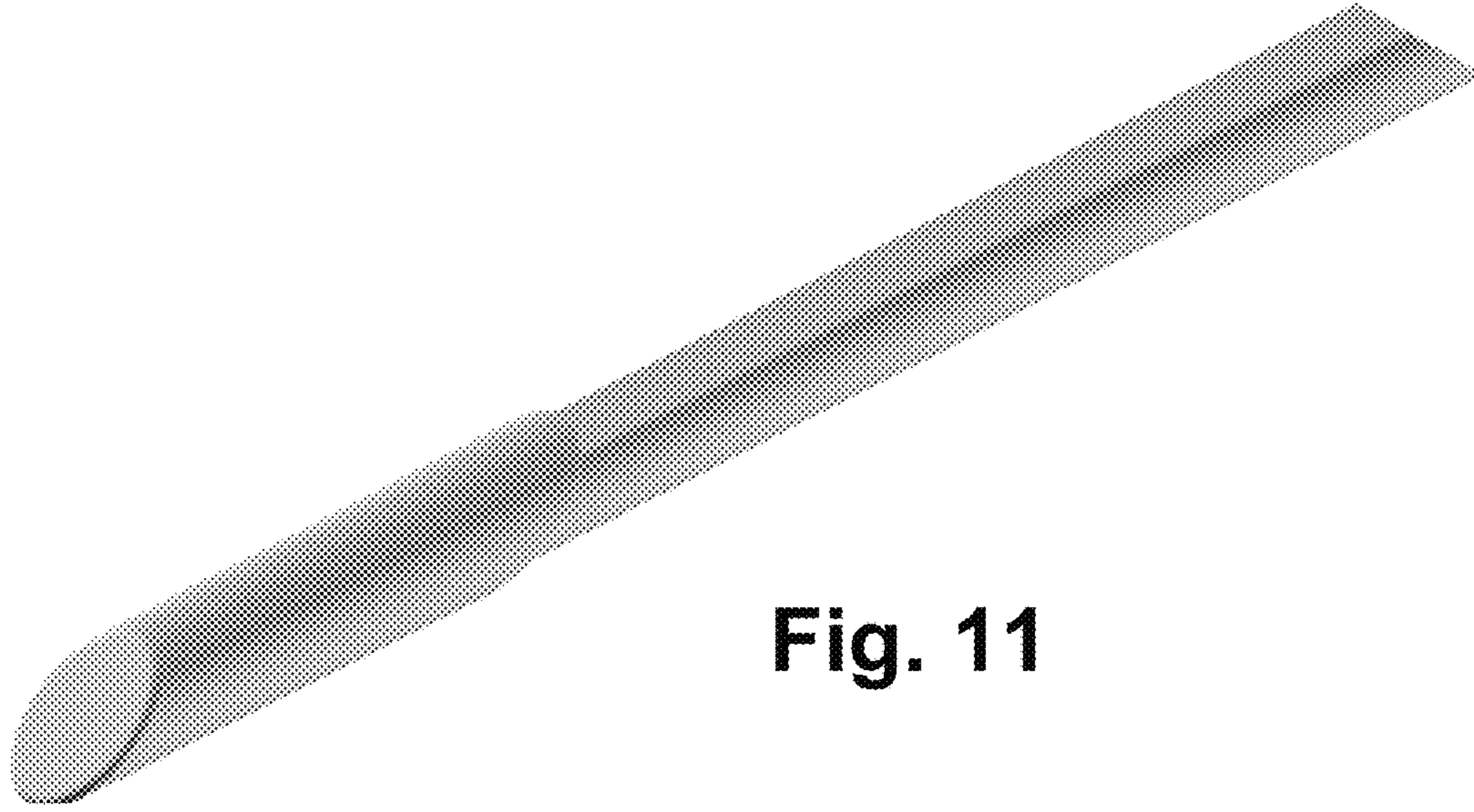


Fig. 11



Fig. 12

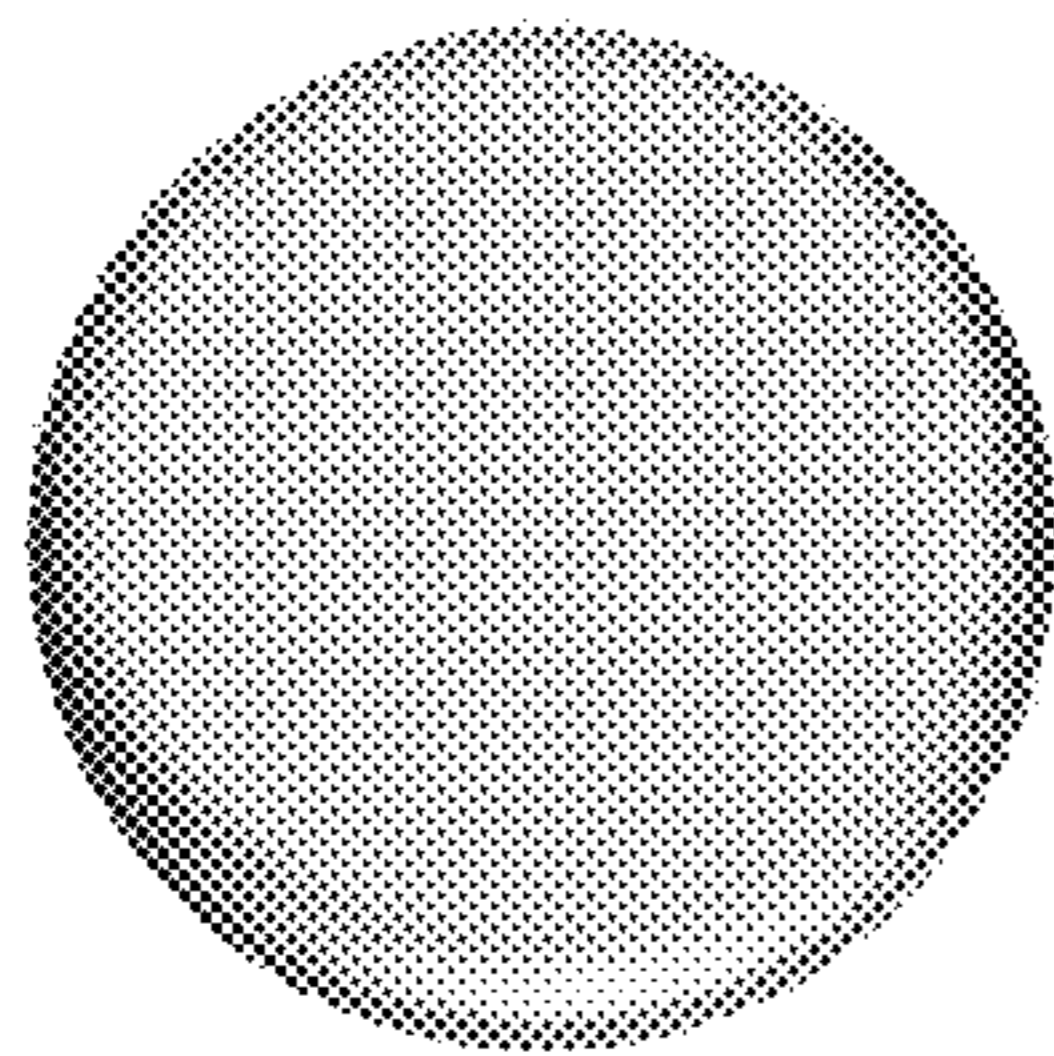


Fig. 13

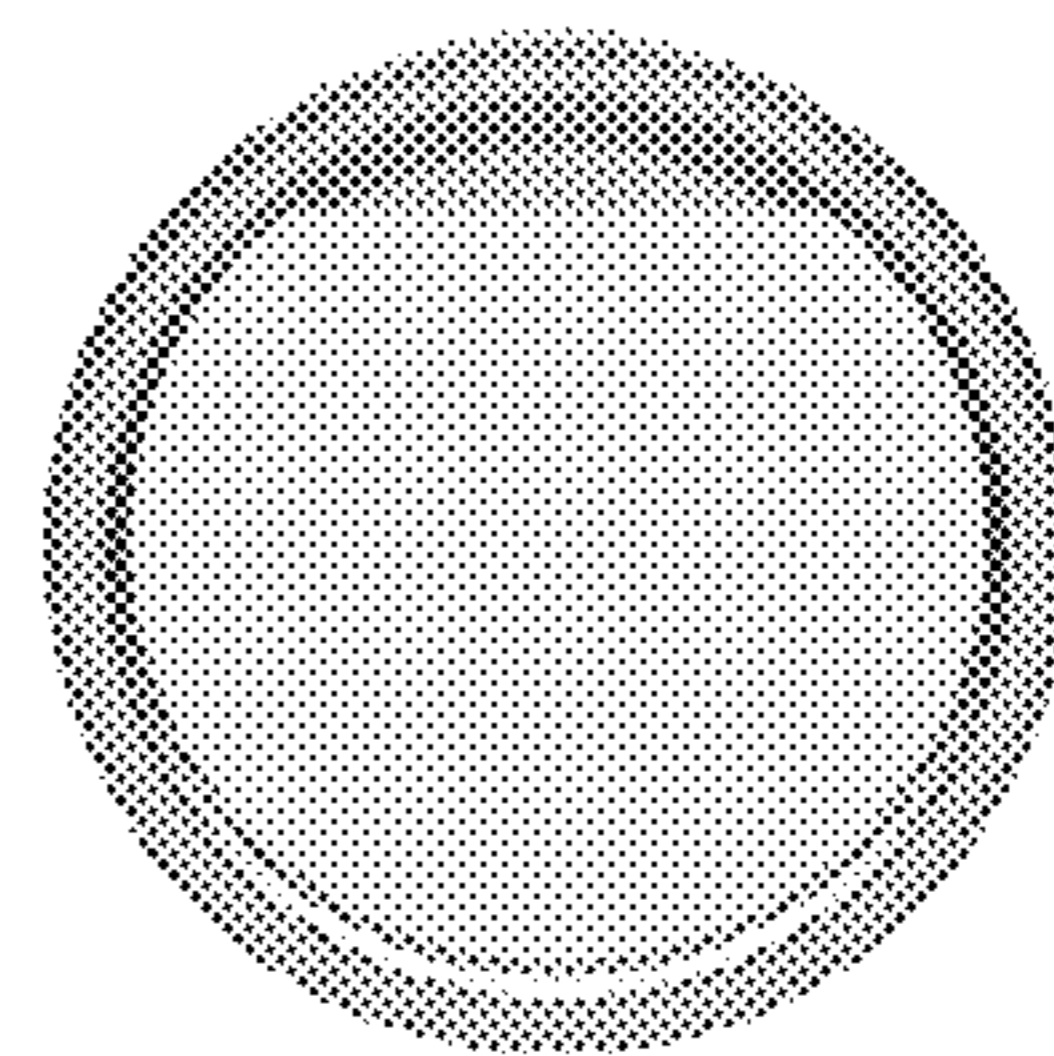


Fig. 14

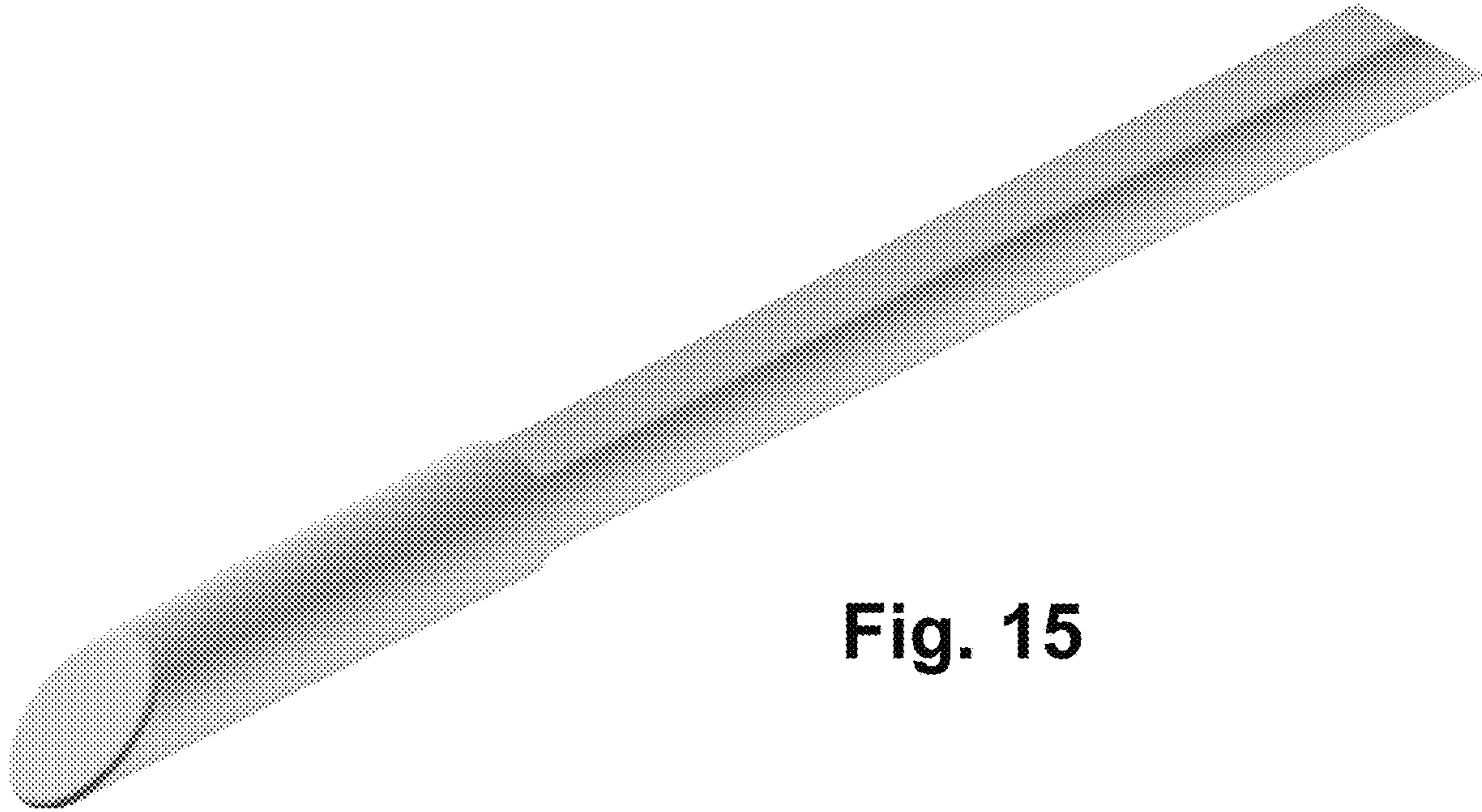


Fig. 15

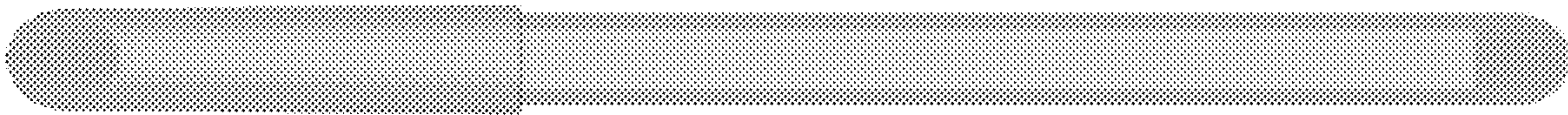


Fig. 16



Fig. 17

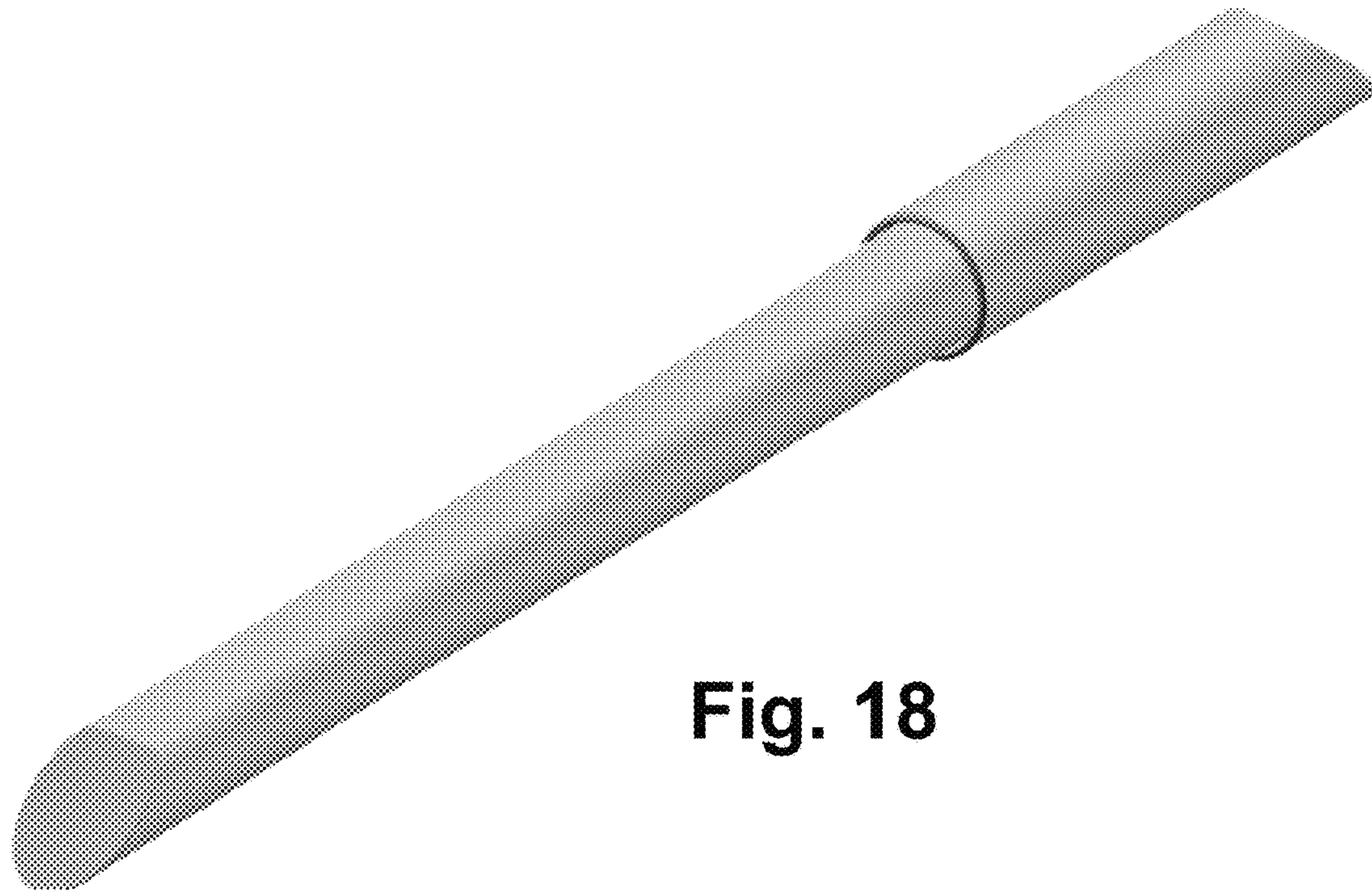


Fig. 18



Fig. 19

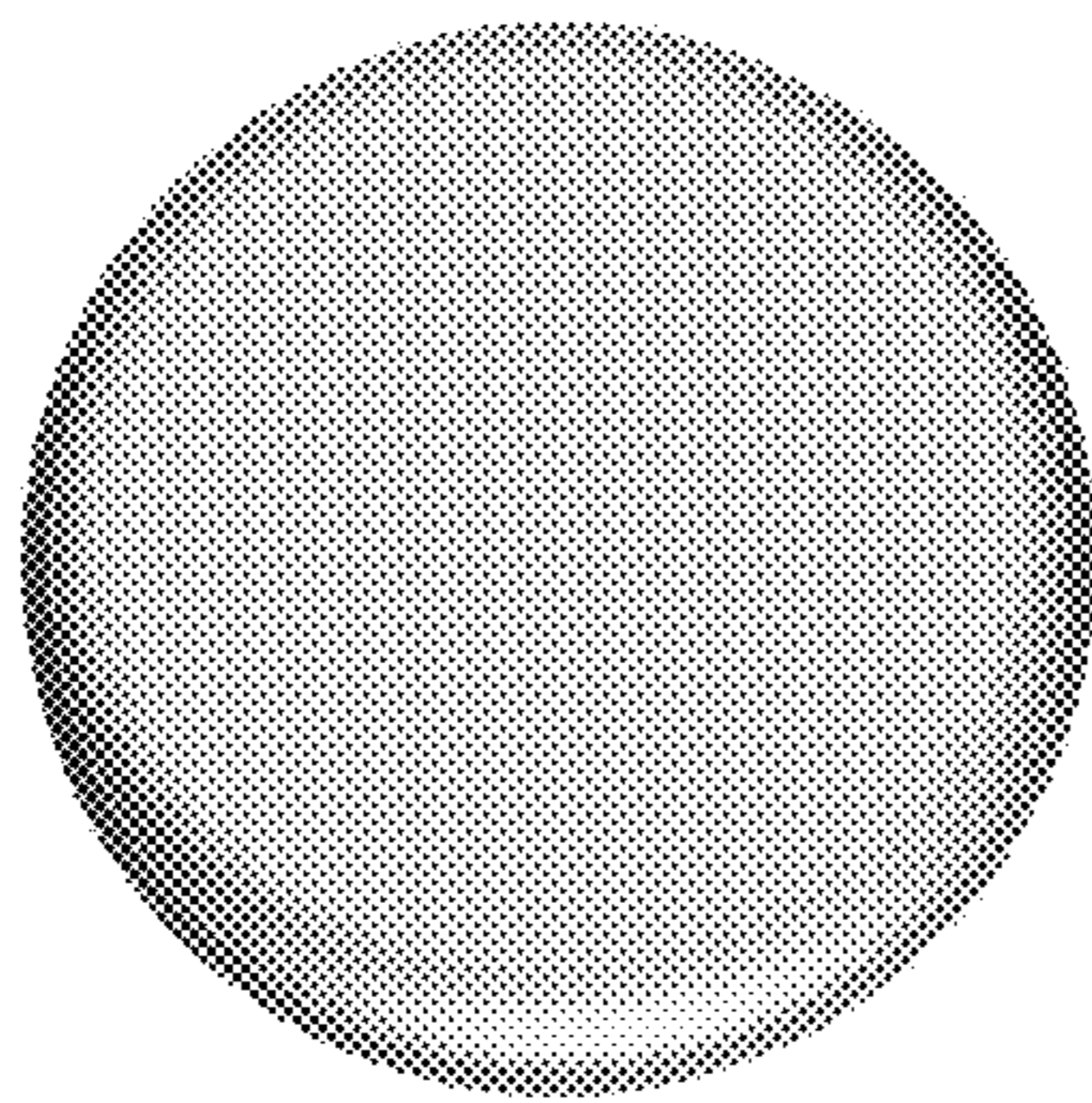


Fig. 20

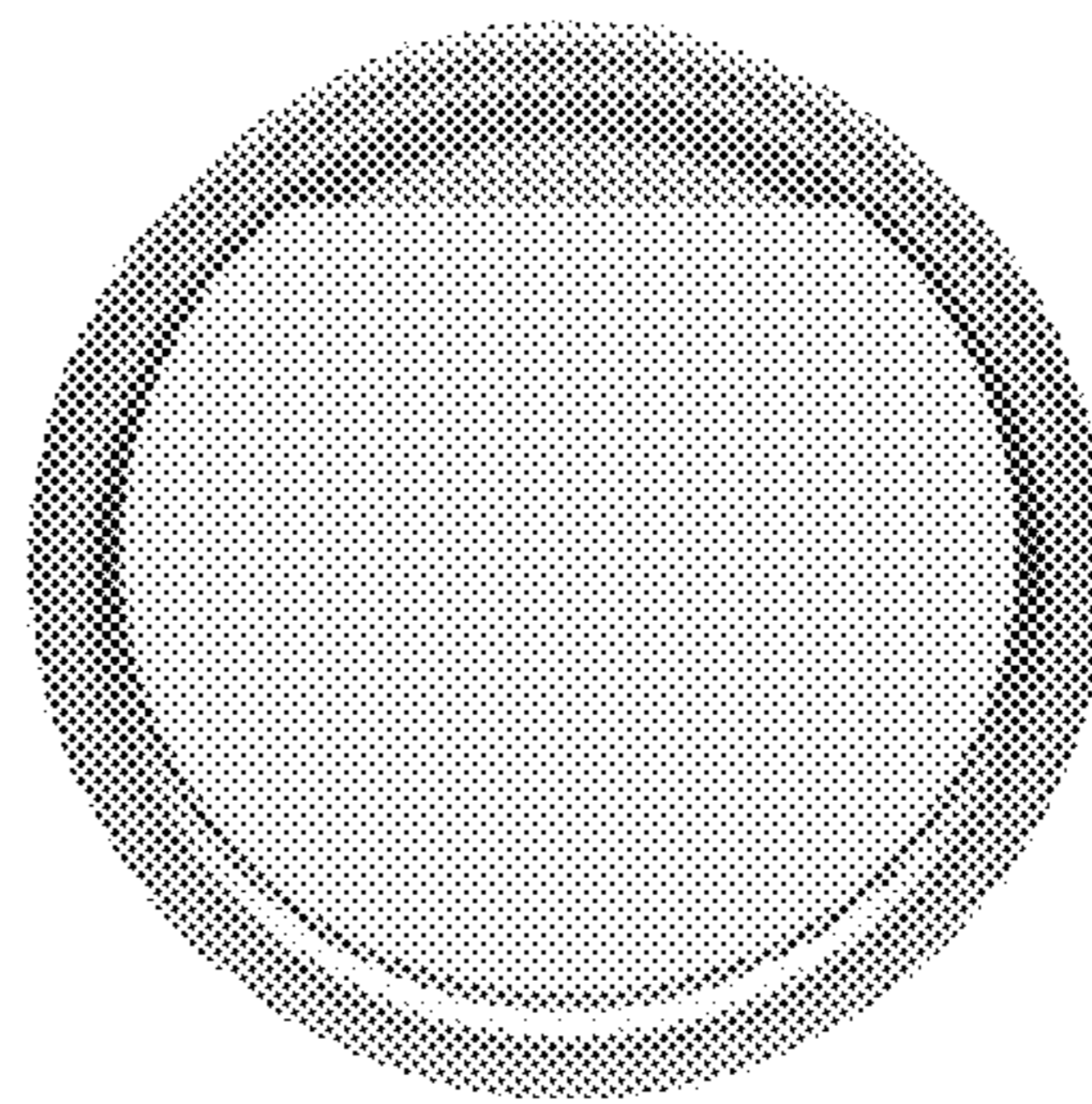


Fig. 21