



US00D893797S

(12) **United States Design Patent** (10) **Patent No.:** **US D893,797 S**
Davis (45) **Date of Patent:** **** Aug. 18, 2020**

(54) **LIGHTER ATTACHMENT**
(71) Applicant: **Evan Michael Davis**, Norton, MA (US)
(72) Inventor: **Evan Michael Davis**, Norton, MA (US)
(**) Term: **15 Years**
(21) Appl. No.: **29/669,276**
(22) Filed: **Nov. 7, 2018**
(51) **LOC (12) Cl.** **27-05**
(52) **U.S. Cl.**
USPC **D27/161**
(58) **Field of Classification Search**
USPC D27/161, 141-144, 139, 172, 183, 186,
D27/194; 131/270, 273, 274, 191, 329,
131/330, 360-365; 208/349, 385, 37,
208/37.1
CPC F23Q 2/34; F23Q 2/36; F23Q 2/50; F23Q
2/00
See application file for complete search history.

D617,941 S * 6/2010 Bjorkholm D27/172
D735,935 S * 8/2015 Burrell D27/183
D752,806 S * 3/2016 Barton D27/161
D774,689 S * 12/2016 Terumichi D26/124
D783,201 S * 4/2017 Pierce D27/161
D792,797 S * 7/2017 Kirchick D11/5
D802,837 S * 11/2017 Thompson D27/186

* cited by examiner

Primary Examiner — Marissa J Cash
Assistant Examiner — Rebecca Tsehaye
(74) *Attorney, Agent, or Firm* — Dunlap Bennett &
Ludwig, PLLC

(57) **CLAIM**

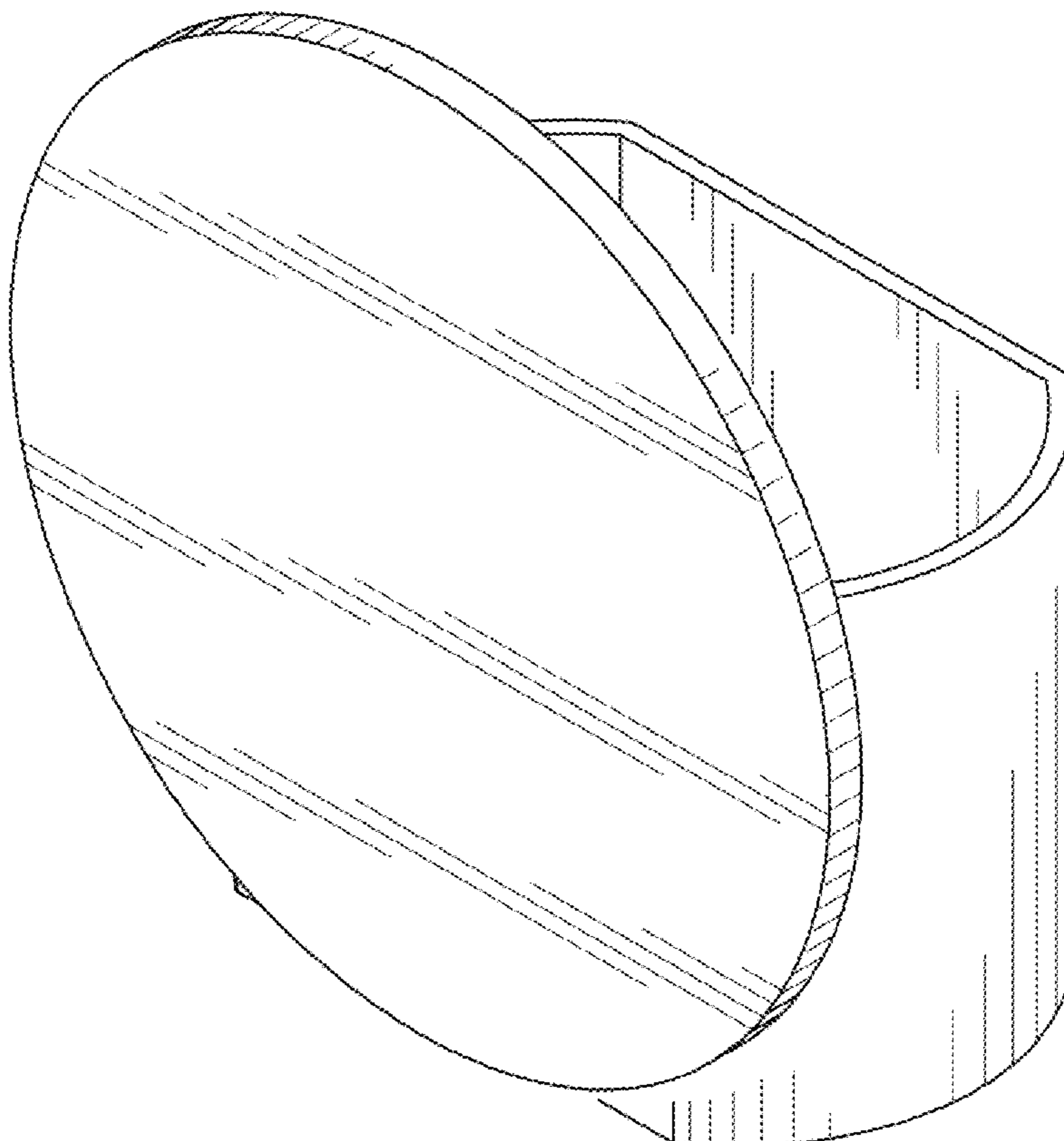
The ornamental design for a lighter attachment, as shown and described.

DESCRIPTION

FIG. 1 is a top front perspective view of a lighter attachment; FIG. 2 is a front elevation view thereof; FIG. 3 is a rear elevation view thereof; FIG. 4 is a right side elevation view thereof, the left side elevation view being a mirror image thereof; FIG. 5 is a top elevation view thereof; FIG. 6 is a bottom elevation view thereof; and, FIG. 7 is a top front perspective view thereof, shown in use. The broken lines shown in the drawings depict portions of the lighter attachment and environmental lighter that form no part of the claimed invention.

1 Claim, 4 Drawing Sheets

(56) **References Cited**
U.S. PATENT DOCUMENTS
4,612,943 A * 9/1986 Meinkowsky A24F 23/04
131/329
D365,250 S * 12/1995 Bergin D7/620
D471,316 S * 3/2003 Budde D27/161
D565,791 S * 4/2008 Crawford D27/161
D571,953 S * 6/2008 Rosso D27/161



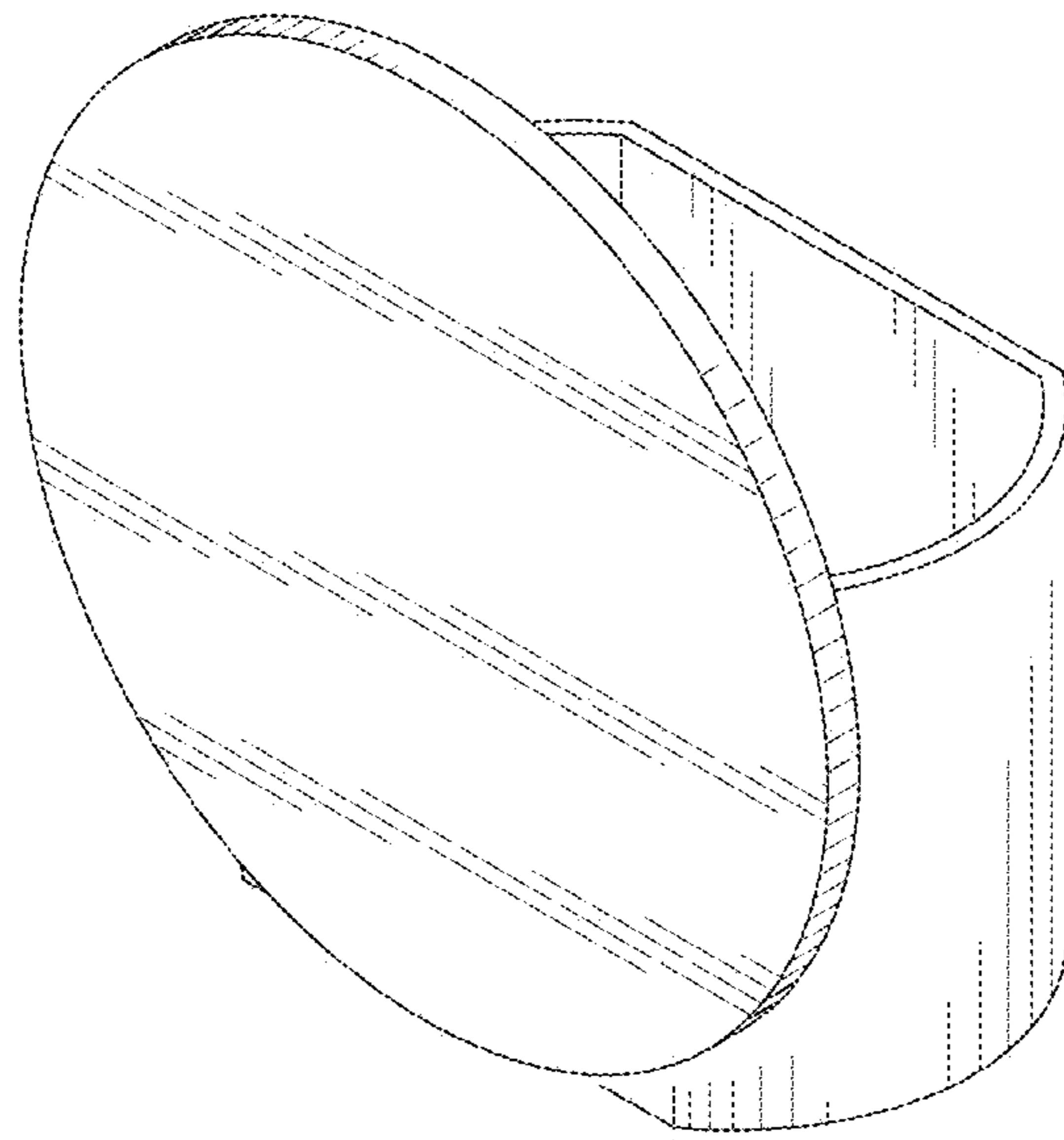


FIG. 1

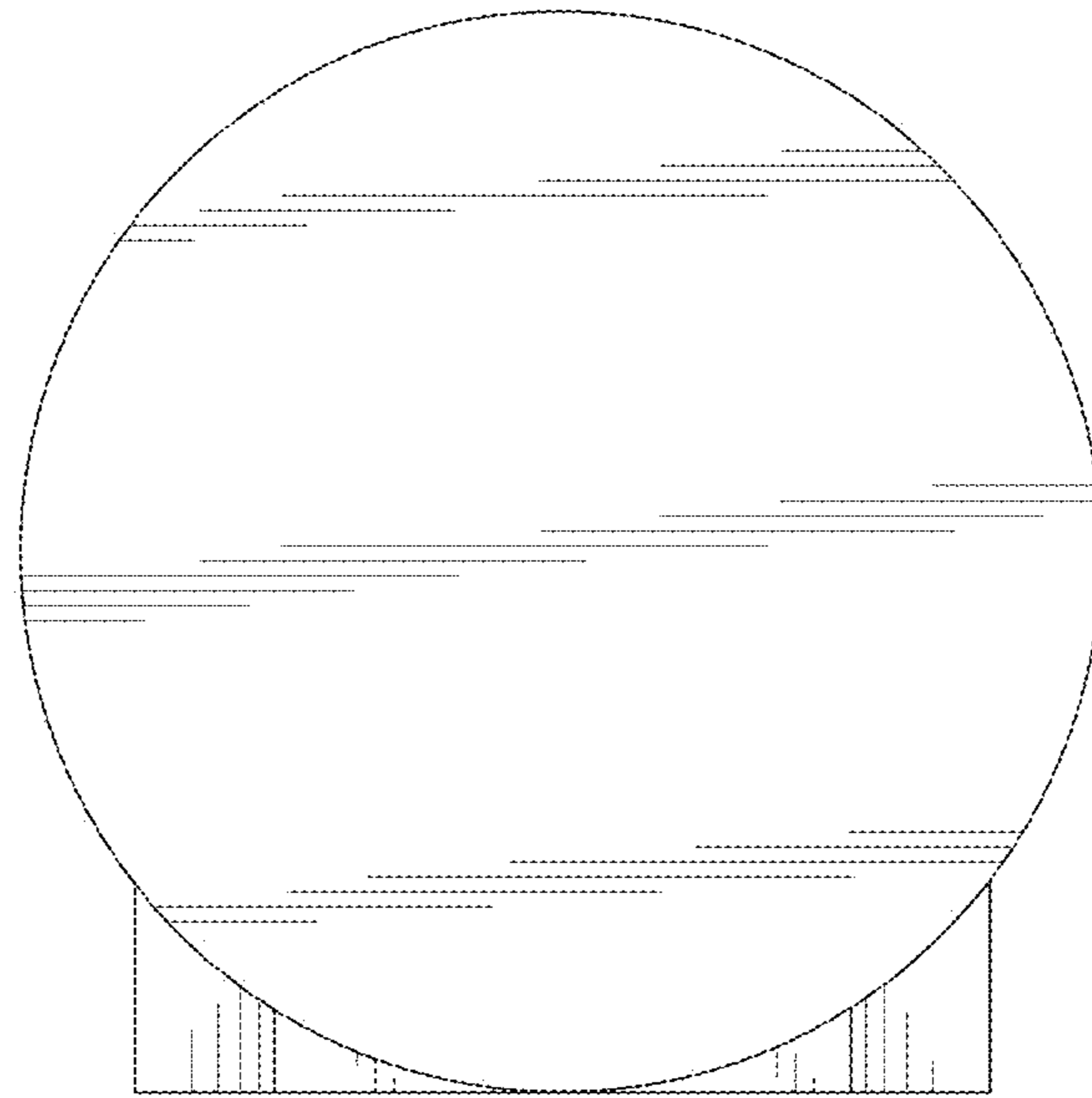


FIG. 2

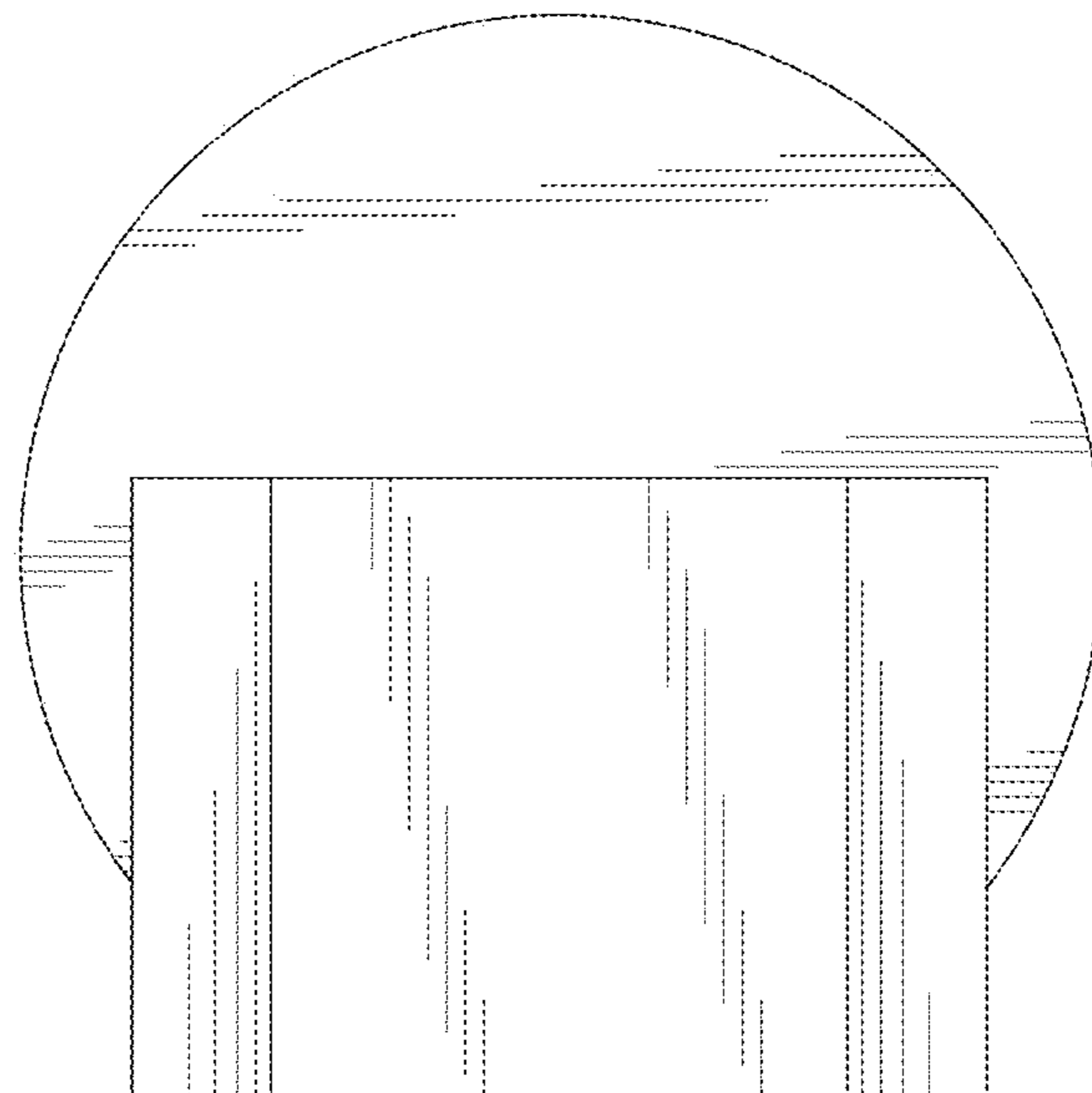


FIG. 3

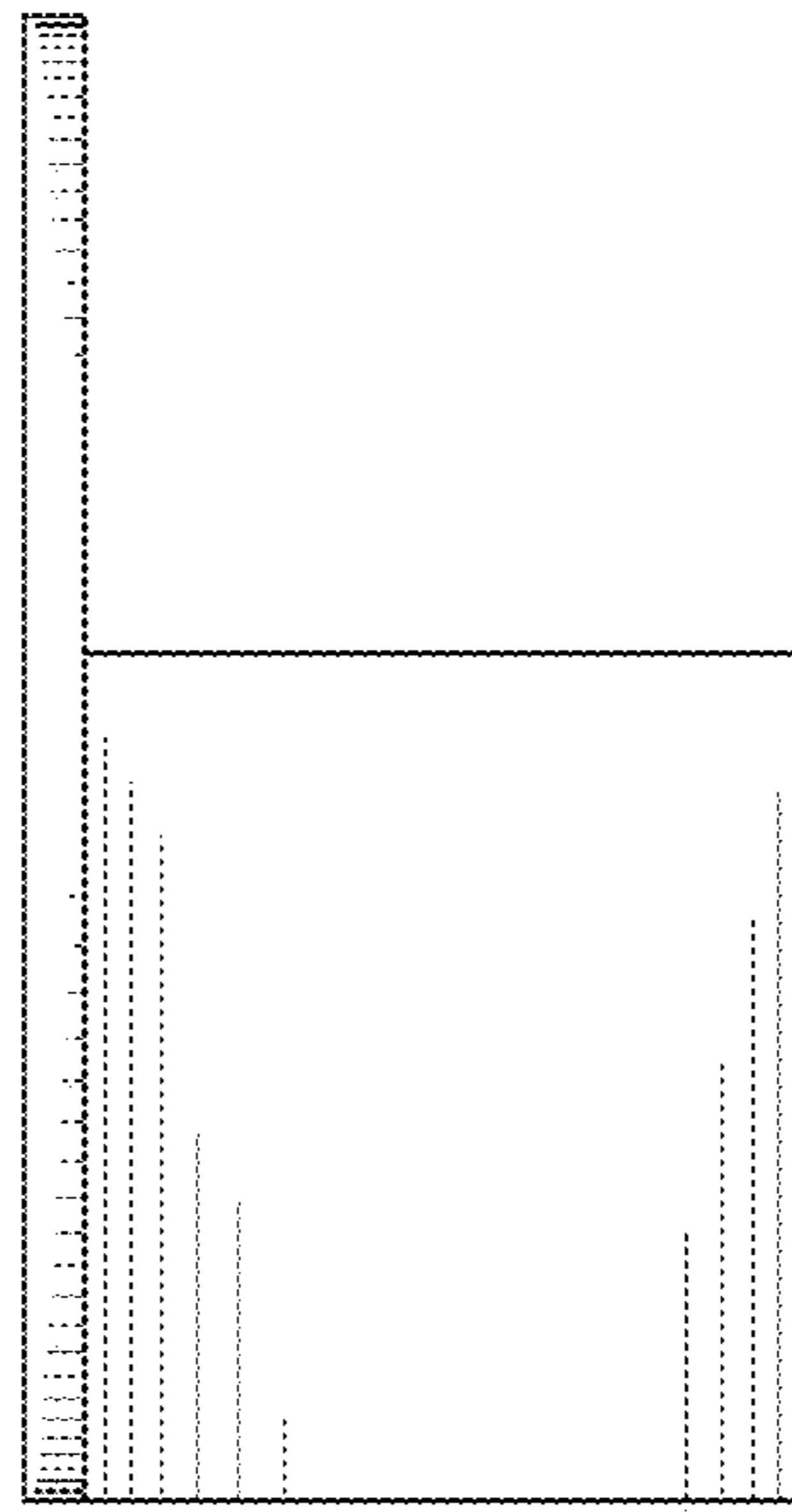


FIG. 4

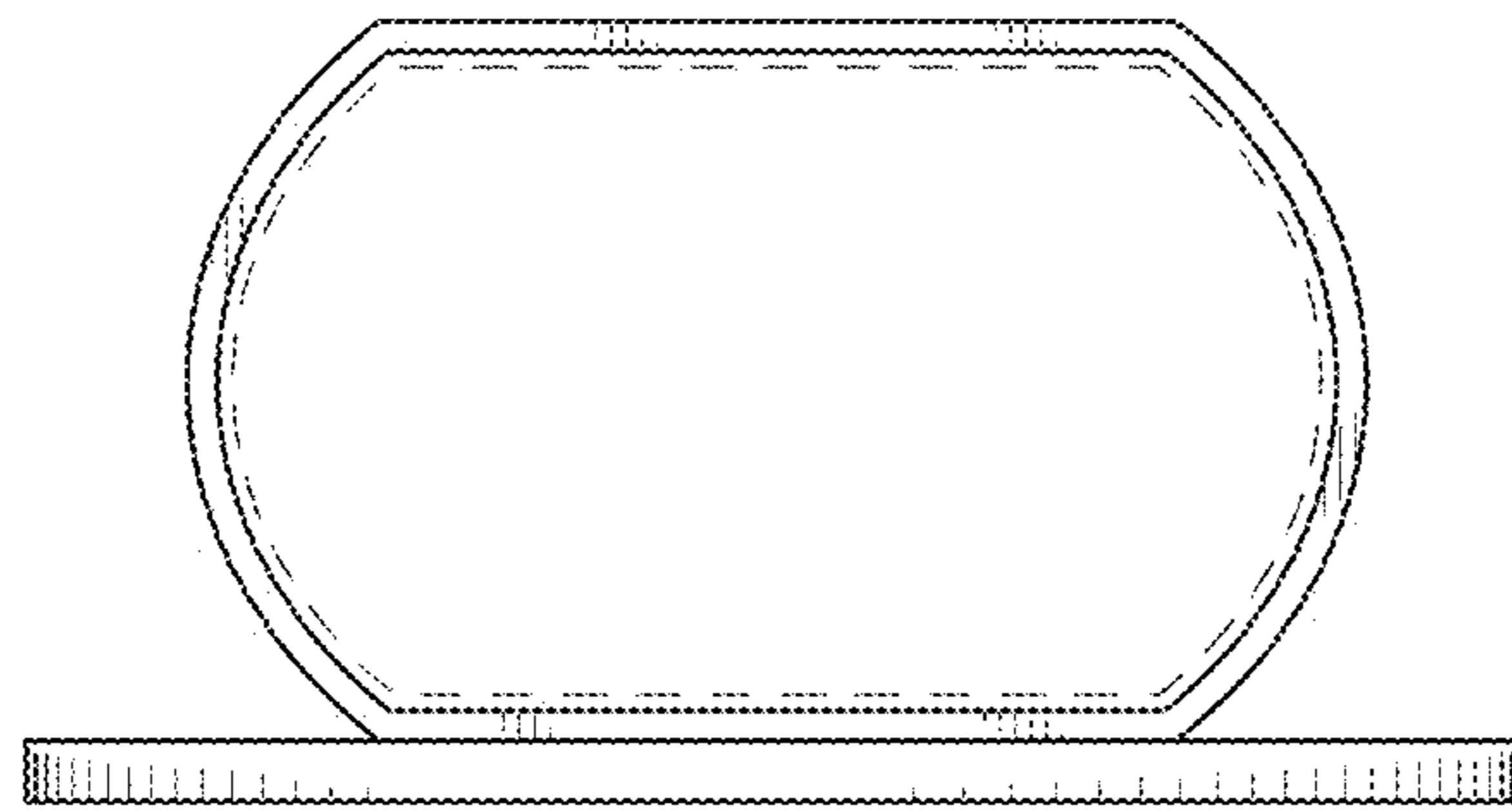


FIG. 5

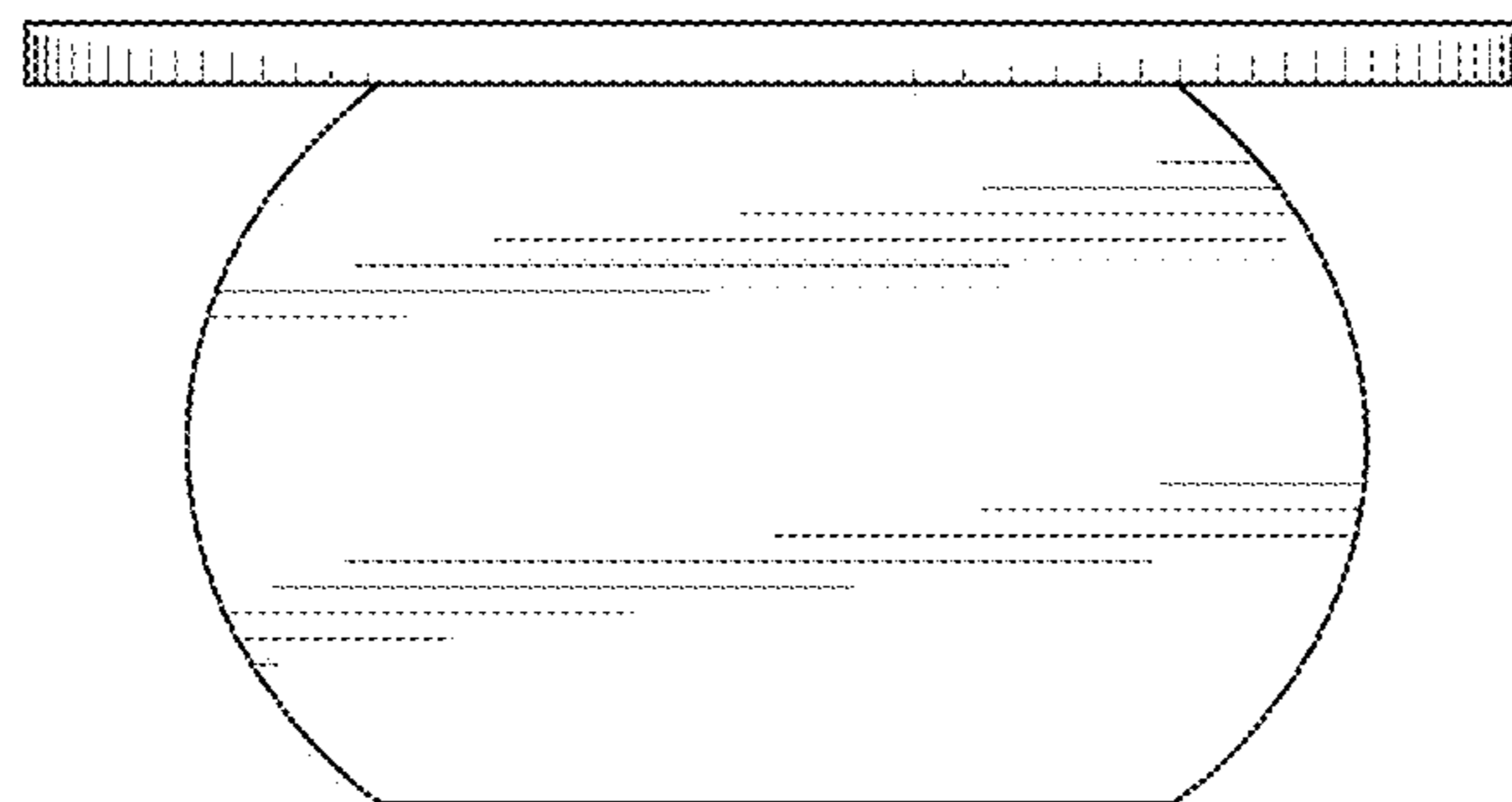


FIG. 6

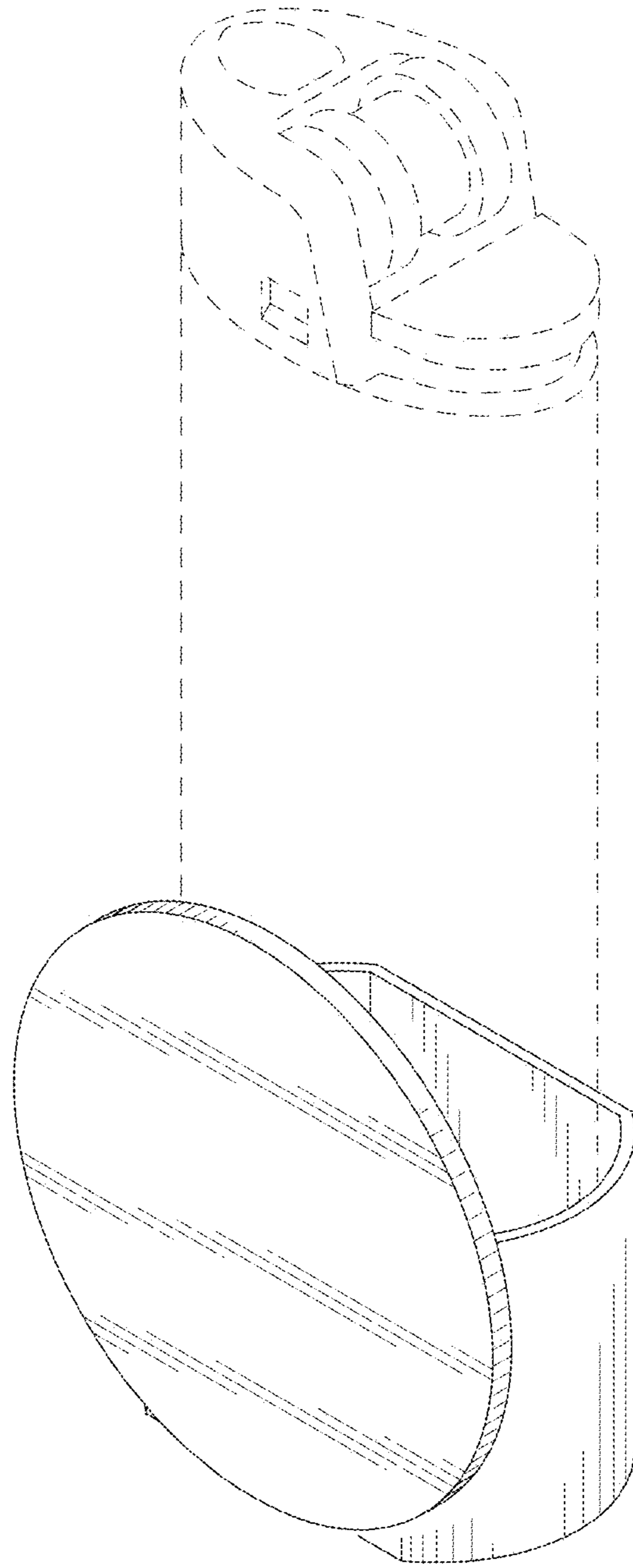


FIG. 7