



US00D893794S

(12) **United States Design Patent**
Kelley et al.

(10) **Patent No.:** **US D893,794 S**
(45) **Date of Patent:** **** Aug. 18, 2020**

(54) **DESKTOP ELECTRONIC DISPLAY APPARATUS**

(71) Applicant: **Plantronics, Inc.**, Santa Cruz, CA (US)

(72) Inventors: **John A. Kelley**, Santa Cruz, CA (US);
Nicholas W Paterson, Santa Cruz, CA (US)

(73) Assignee: **Plantronics, Inc.**, Santa Cruz, CA (US)

(**) Term: **15 Years**

(21) Appl. No.: **29/649,832**

(22) Filed: **Jun. 1, 2018**

(51) **LOC (12) Cl.** **26-03**

(52) **U.S. Cl.**
USPC **D26/110**

(58) **Field of Classification Search**
USPC D26/1, 24, 67, 93-94, 104-110, 95, 101,
D26/112, 118
CPC .. F21Y 2103/00; F21Y 2101/02; F21V 15/00;
F21V 25/00; F21S 6/002
See application file for complete search history.

(56) **References Cited**

U.S. PATENT DOCUMENTS

D525,739 S * 7/2006 Wu D26/93
D647,242 S * 10/2011 Staples D26/93

D659,889 S * 5/2012 Sabernig D26/93
D743,613 S * 11/2015 Bonadonna D26/105
D780,982 S * 3/2017 Starck D26/93
D838,030 S * 1/2019 Scarso D26/110
D849,989 S * 5/2019 Grcic D26/93
D851,323 S * 6/2019 Barber D26/93

* cited by examiner

Primary Examiner — Brian N. Vinson

(57) **CLAIM**

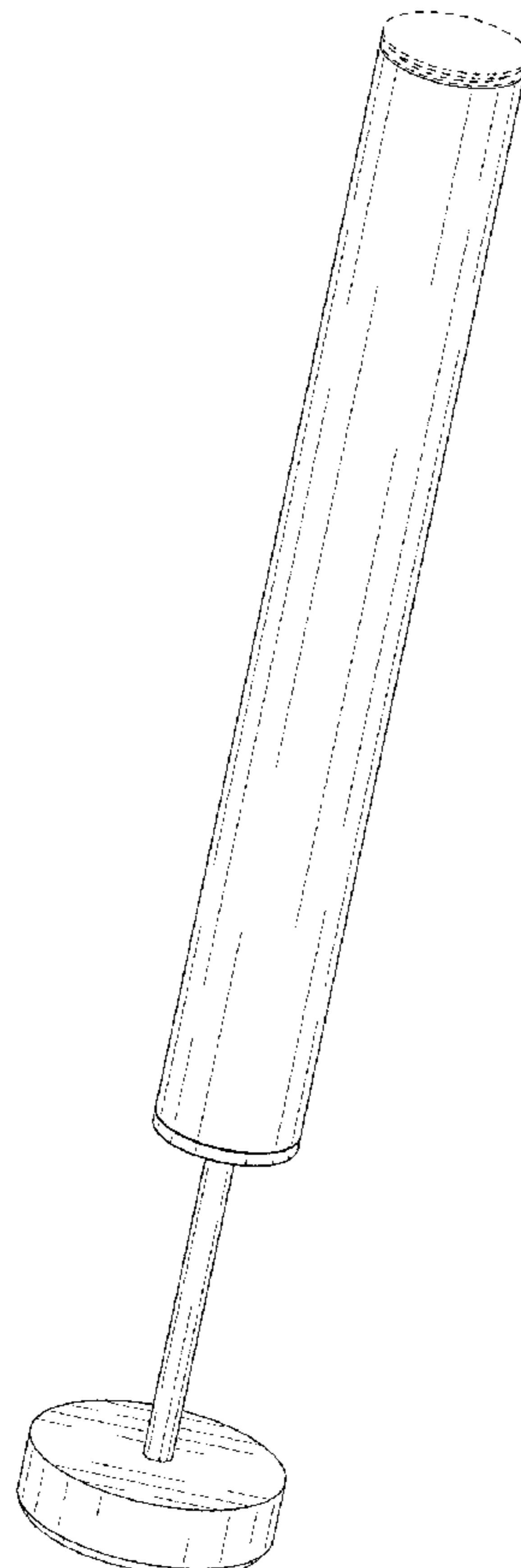
The ornamental design for a desktop electronic display apparatus, as shown and described.

DESCRIPTION

FIG. 1 is a top-front perspective view of a desktop electronic display apparatus showing my new design;
FIG. 2 is a bottom-back perspective view thereof;
FIG. 3 is a front view thereof;
FIG. 4 is a back view thereof;
FIG. 5 is a right-side view thereof;
FIG. 6 is a left-side view thereof;
FIG. 7 is a top view thereof; and,
FIG. 8 is a bottom view thereof.

The broken lines showing the unclaimed features form no part of the claimed design.

1 Claim, 5 Drawing Sheets



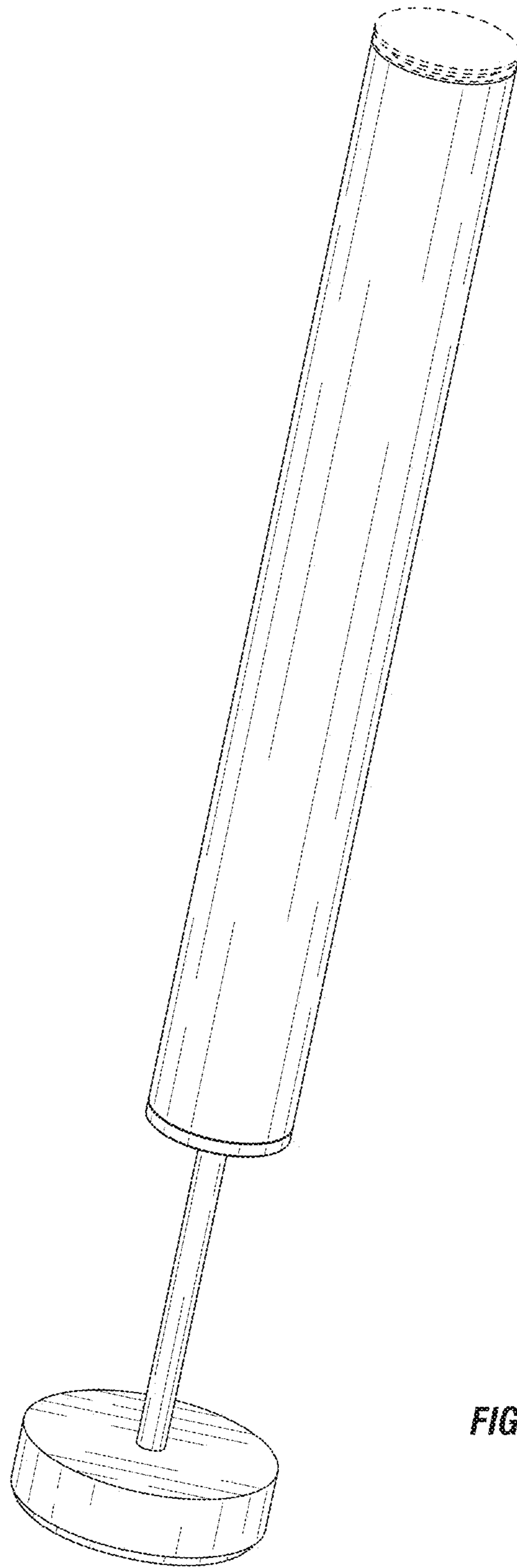


FIG. 1

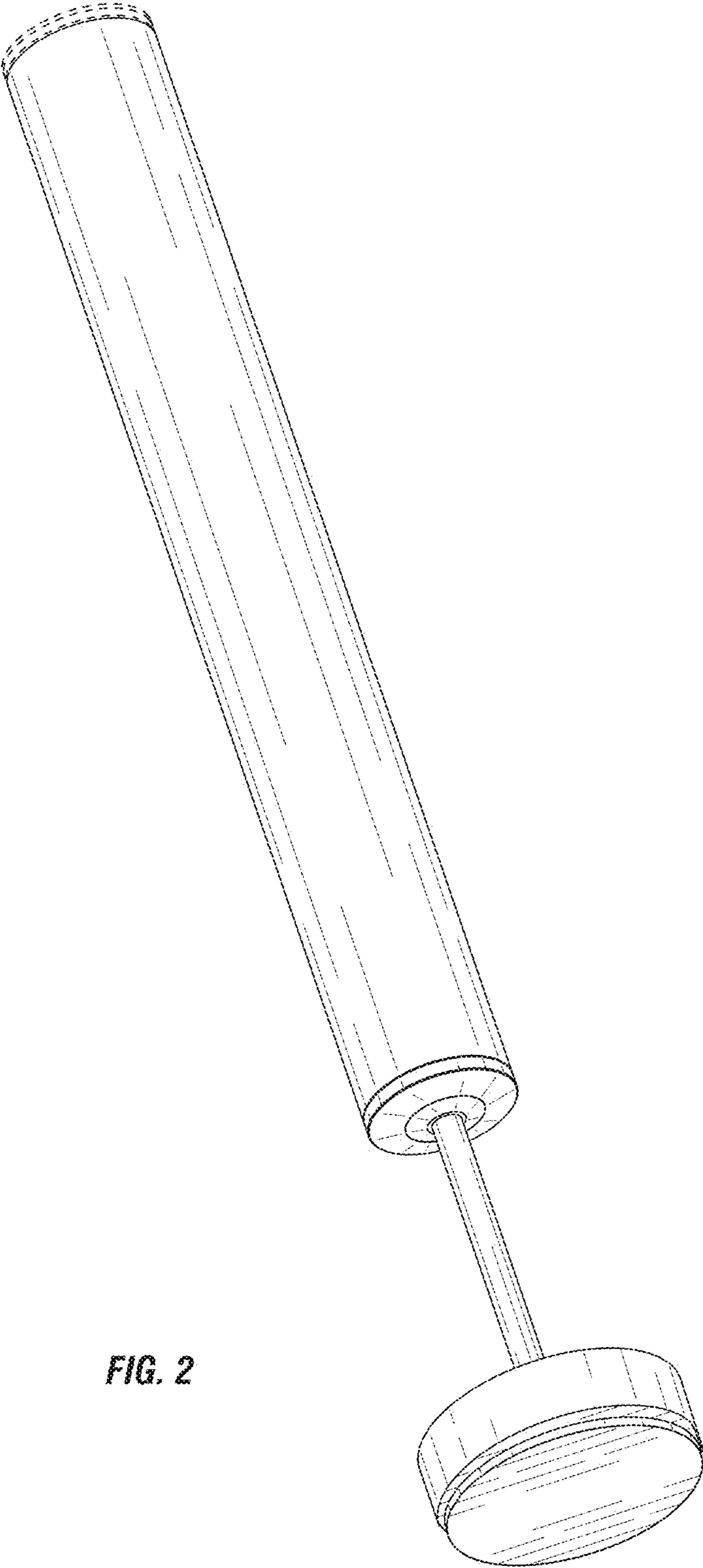


FIG. 2

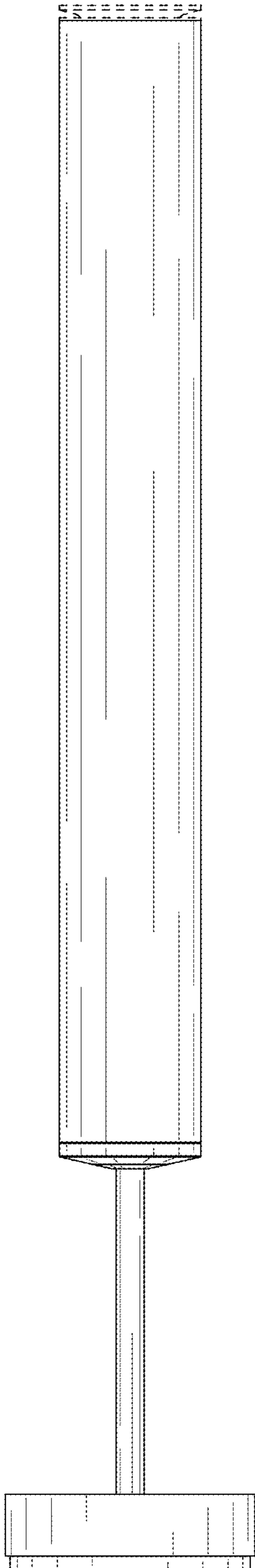


FIG. 3

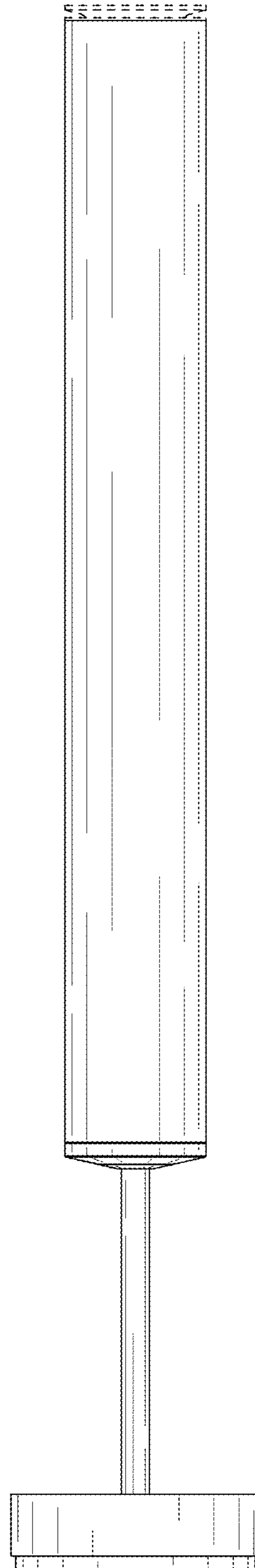


FIG. 4

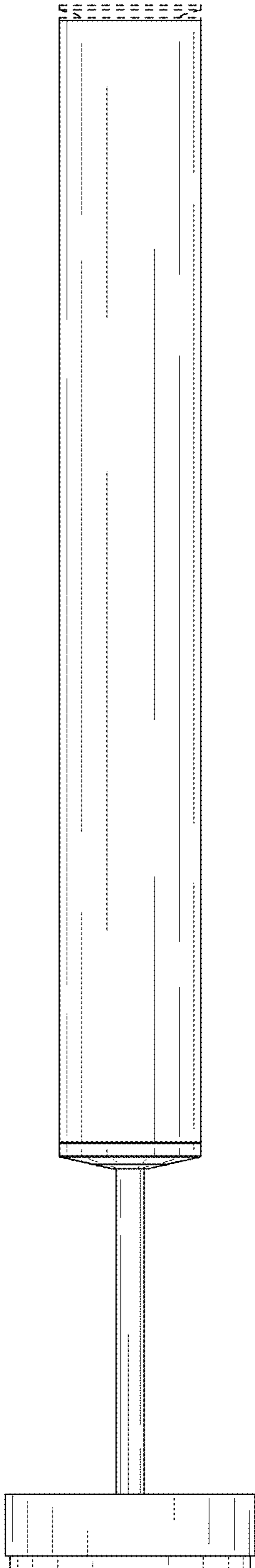


FIG. 5

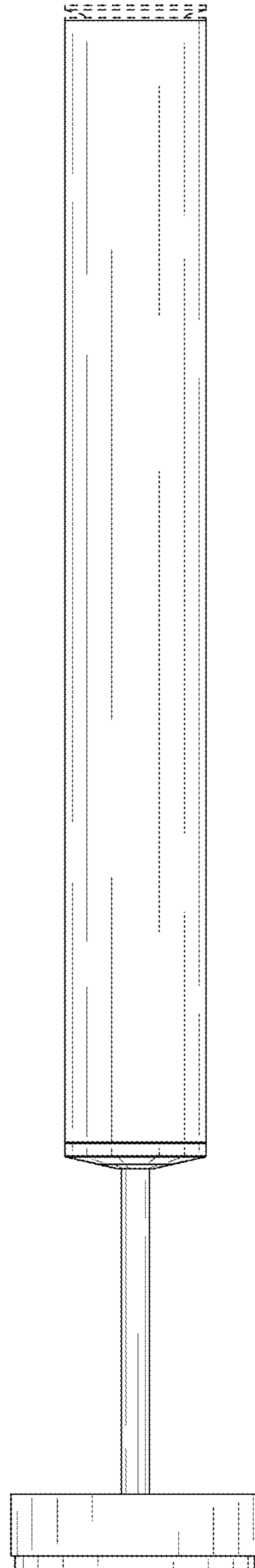


FIG. 6

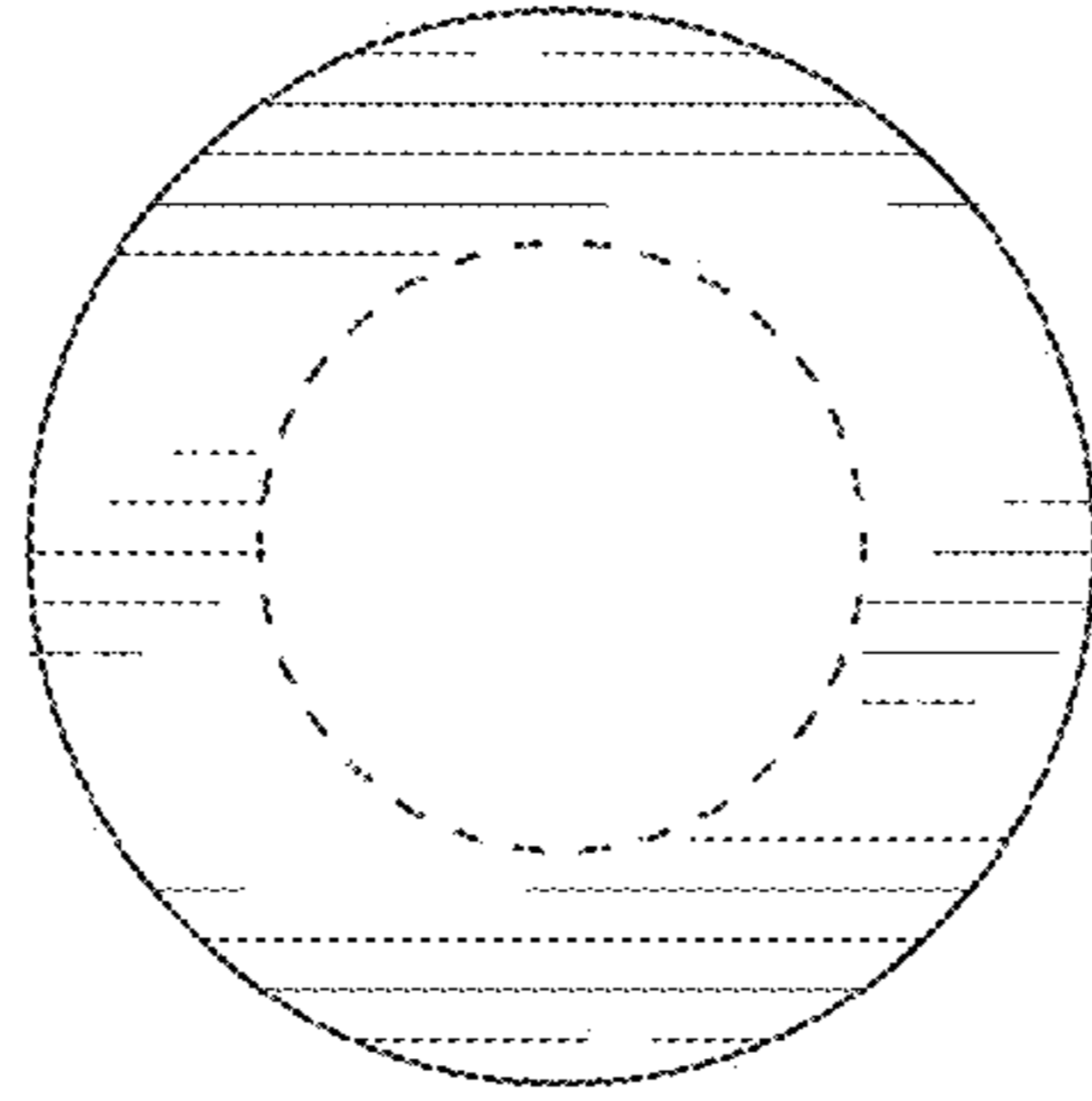


FIG. 7

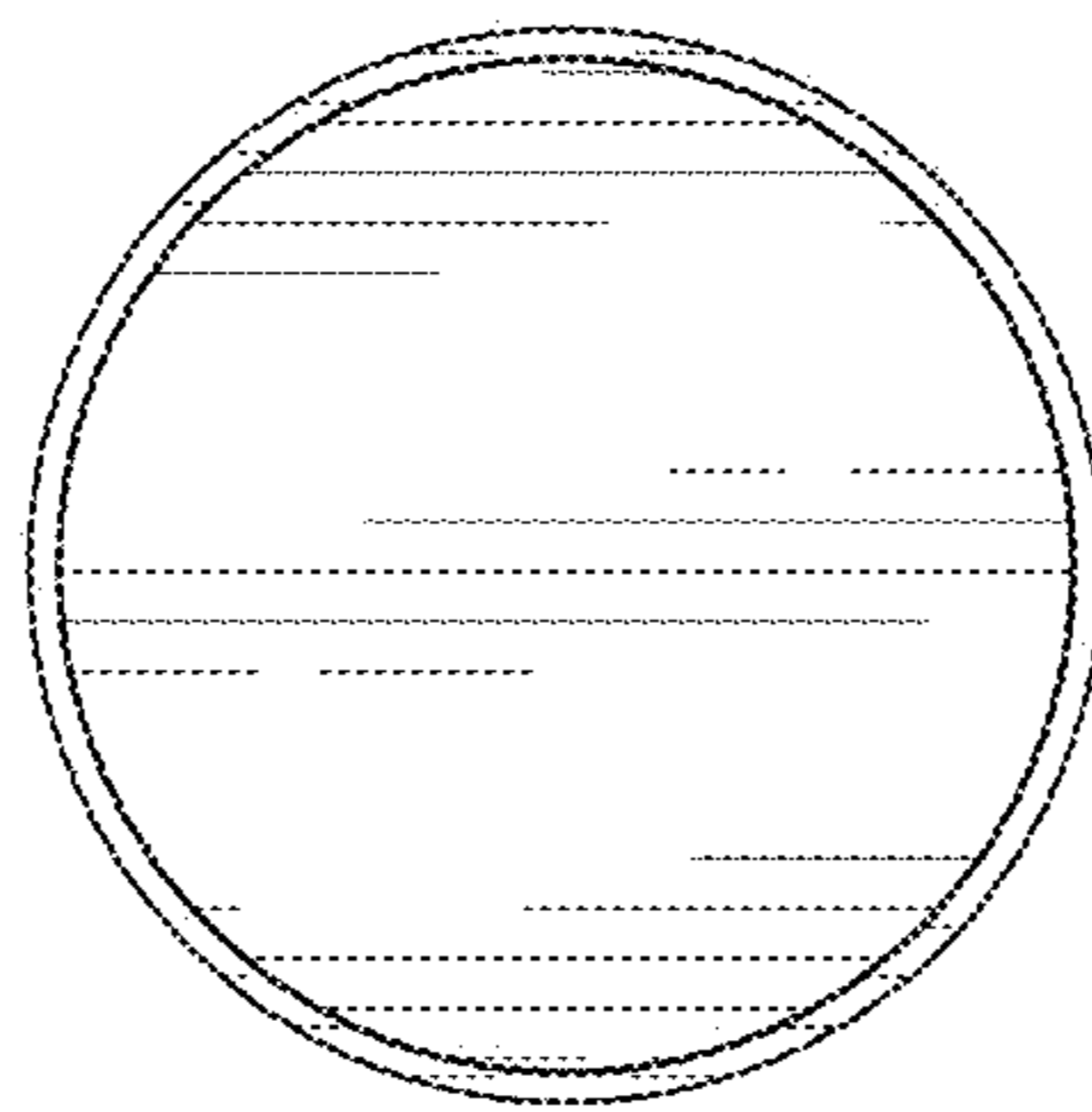


FIG. 8