

US00D893792S

(12) **United States Design Patent**
David-Swan

(10) **Patent No.:** **US D893,792 S**
(45) **Date of Patent:** **** Aug. 18, 2020**

- (54) **LAMP**
- (71) Applicant: **Dawn David-Swan**, Elmont, NY (US)
- (72) Inventor: **Dawn David-Swan**, Elmont, NY (US)
- (**) Term: **15 Years**
- (21) Appl. No.: **29/657,765**
- (22) Filed: **Jul. 25, 2018**
- (51) **LOC (12) Cl.** **26-03**
- (52) **U.S. Cl.**
USPC **D26/94**
- (58) **Field of Classification Search**
USPC ... D26/1, 24, 4, 32, 37, 47, 57, 93, 94, 106,
D26/110; D9/679, 772; D11/118, 157
CPC F21S 6/00; F21S 6/002; F21V 1/00; F21V
3/00; F21V 21/02; F21W 2121/00; F21W
2131/30; B65D 17/165
See application file for complete search history.

6,279,760	B1	8/2001	Broeski	
D495,212	S	8/2004	Martin	
D509,691	S	9/2005	Doran	
D520,563	S	5/2006	Killen et al.	
D524,978	S	7/2006	Bellaloum	
D525,741	S	7/2006	Wu	
D565,750	S	4/2008	Egawa	
D581,577	S	11/2008	Baldele	
D641,917	S	7/2011	Toratani	
D672,900	S	12/2012	Gailly et al.	
D693,729	S *	11/2013	Mitchell	D11/118
D707,386	S	6/2014	McKenzie et al.	
D730,237	S *	5/2015	Kopenec	D11/157
D738,559	S *	9/2015	Epstein	D26/106
D754,386	S *	4/2016	Motta	D26/94
D770,669	S *	11/2016	Haras	D26/94
2005/0237753	A1	10/2005	Foegen	

* cited by examiner

Primary Examiner — Brian N. Vinson
(74) *Attorney, Agent, or Firm* — Dawn David-Swan

(57) **CLAIM**

The ornamental design for a lamp, as shown and described.

(56) **References Cited**

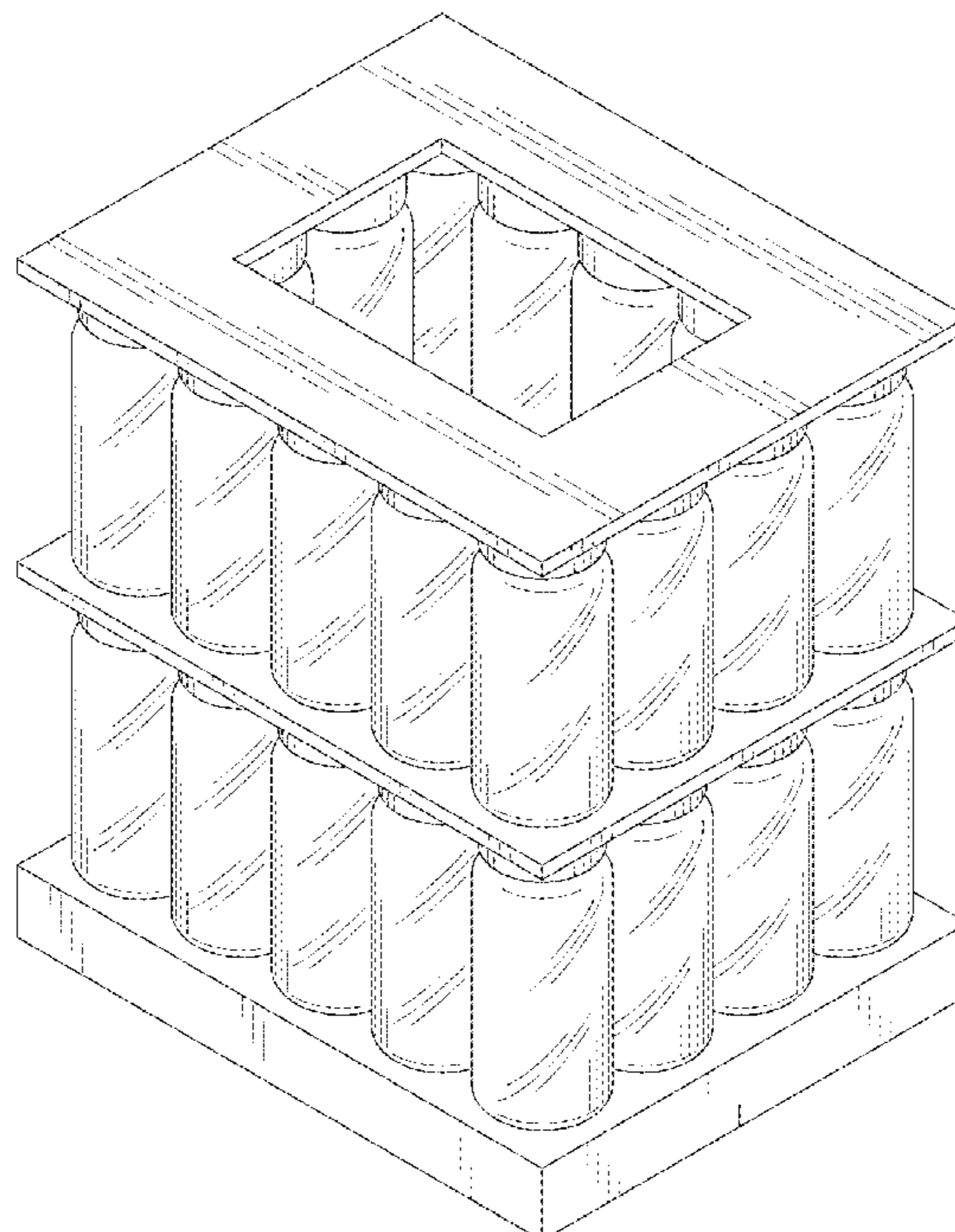
U.S. PATENT DOCUMENTS

1,921,570	A	8/1933	Johnson et al.	
1,923,309	A	8/1933	Henderson et al.	
D200,171	S	1/1965	Beck	
D212,251	S	9/1968	Appel	
D214,191	S	5/1969	Fletcher	
3,643,079	A	2/1972	Glickman et al.	
3,731,819	A	5/1973	Sandhage	
D243,035	S	1/1977	Kohlenstein	
D257,896	S	1/1981	Scholze et al.	
D261,688	S *	11/1981	Kvasnicka	D26/94
4,378,889	A	4/1983	Lebowitz	
4,416,373	A	11/1983	deLarosiere	
D272,656	S	2/1984	Parker	
D415,306	S	10/1999	Ledsome	

DESCRIPTION

FIG. 1 is a top front perspective view of a first embodiment of a lamp;
 FIG. 2 is a front elevation view thereof, the rear elevation view being a mirror image thereof;
 FIG. 3 is a right side elevation view thereof, the left side elevation view being a mirror image thereof;
 FIG. 4 is a top elevation view thereof; and,
 FIG. 5 is a bottom elevation view thereof.
 The broken lines shown in the drawings depict portions of the lamp that form no part of the claimed invention.

1 Claim, 3 Drawing Sheets



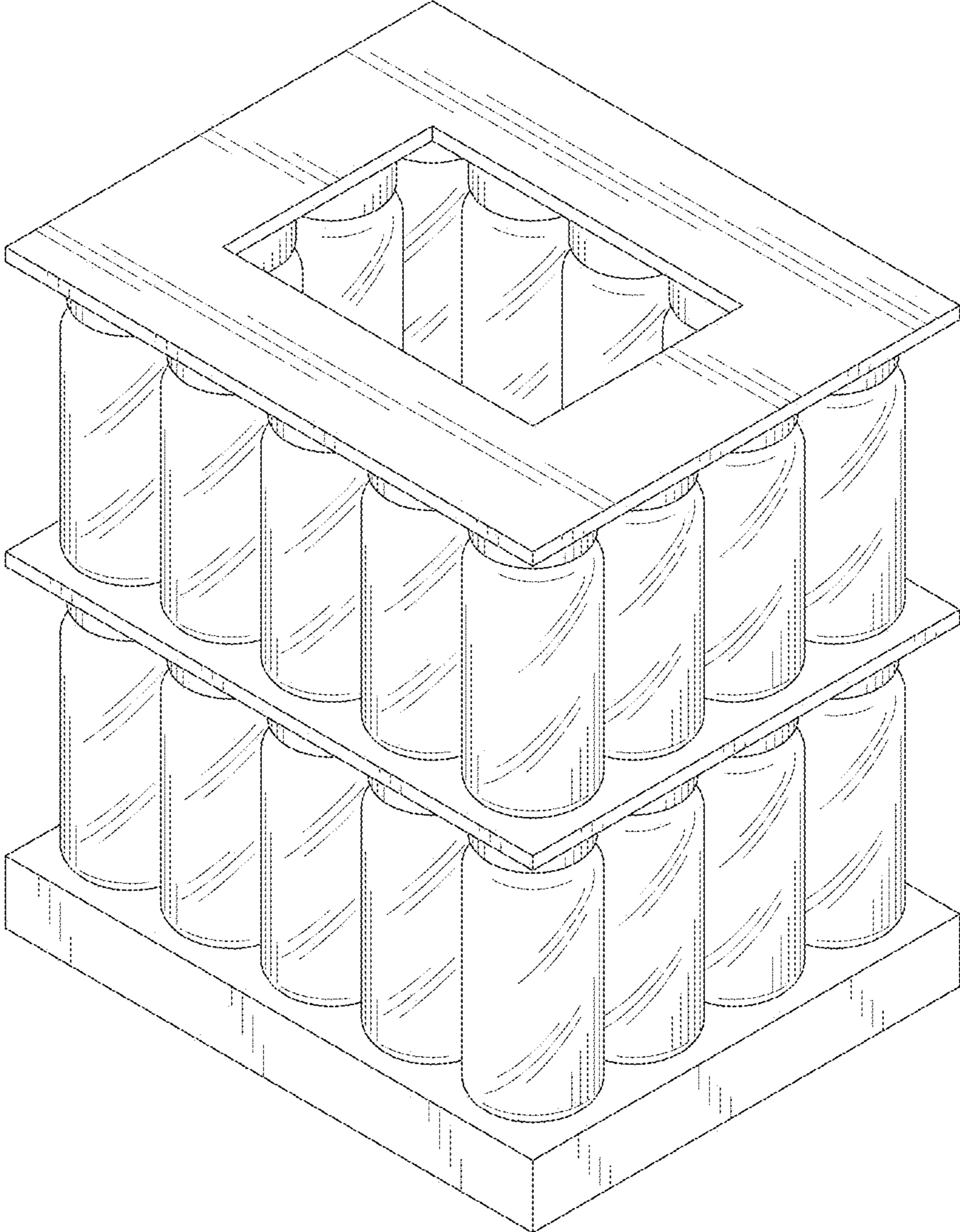


FIG.1

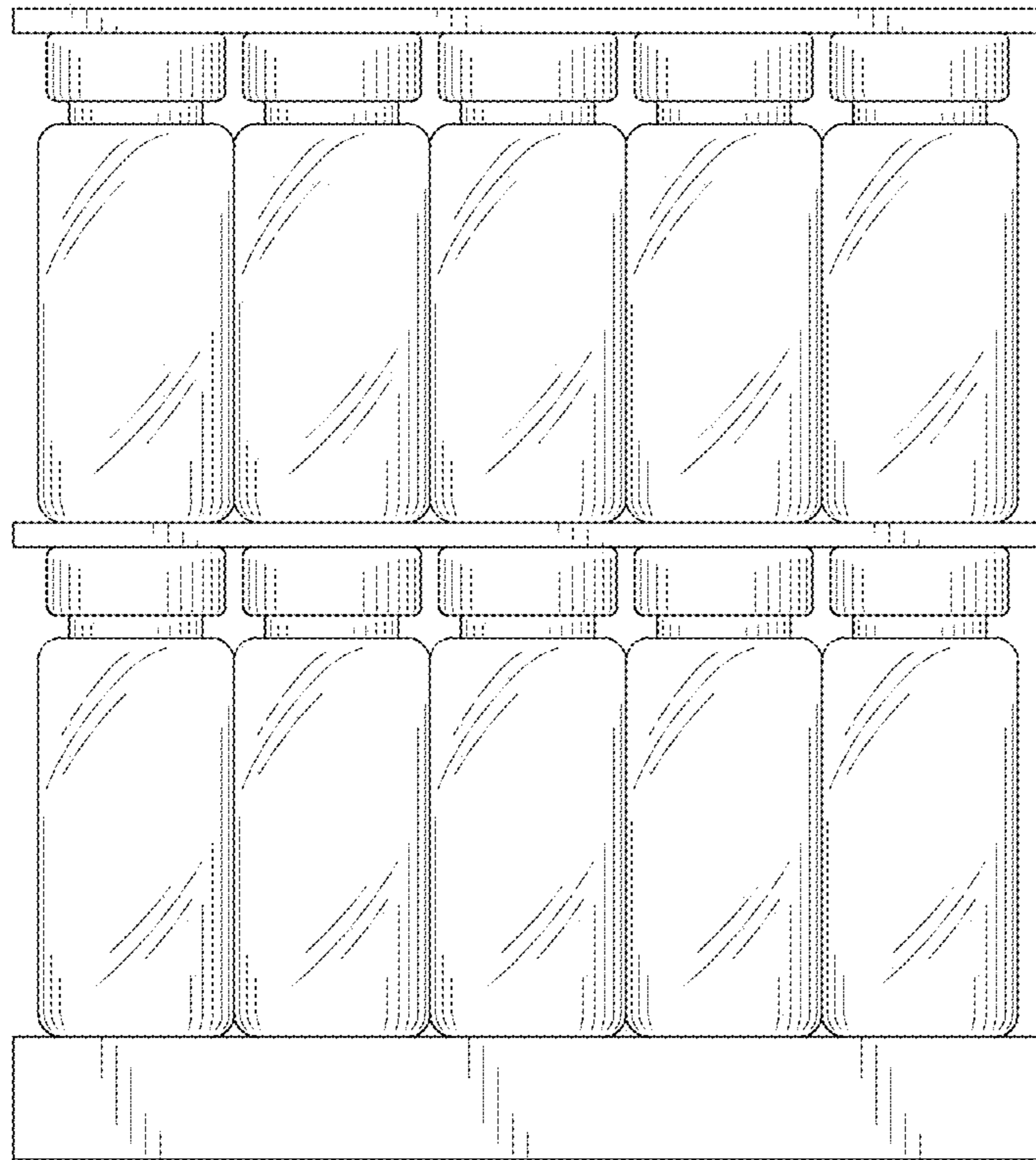


FIG. 2

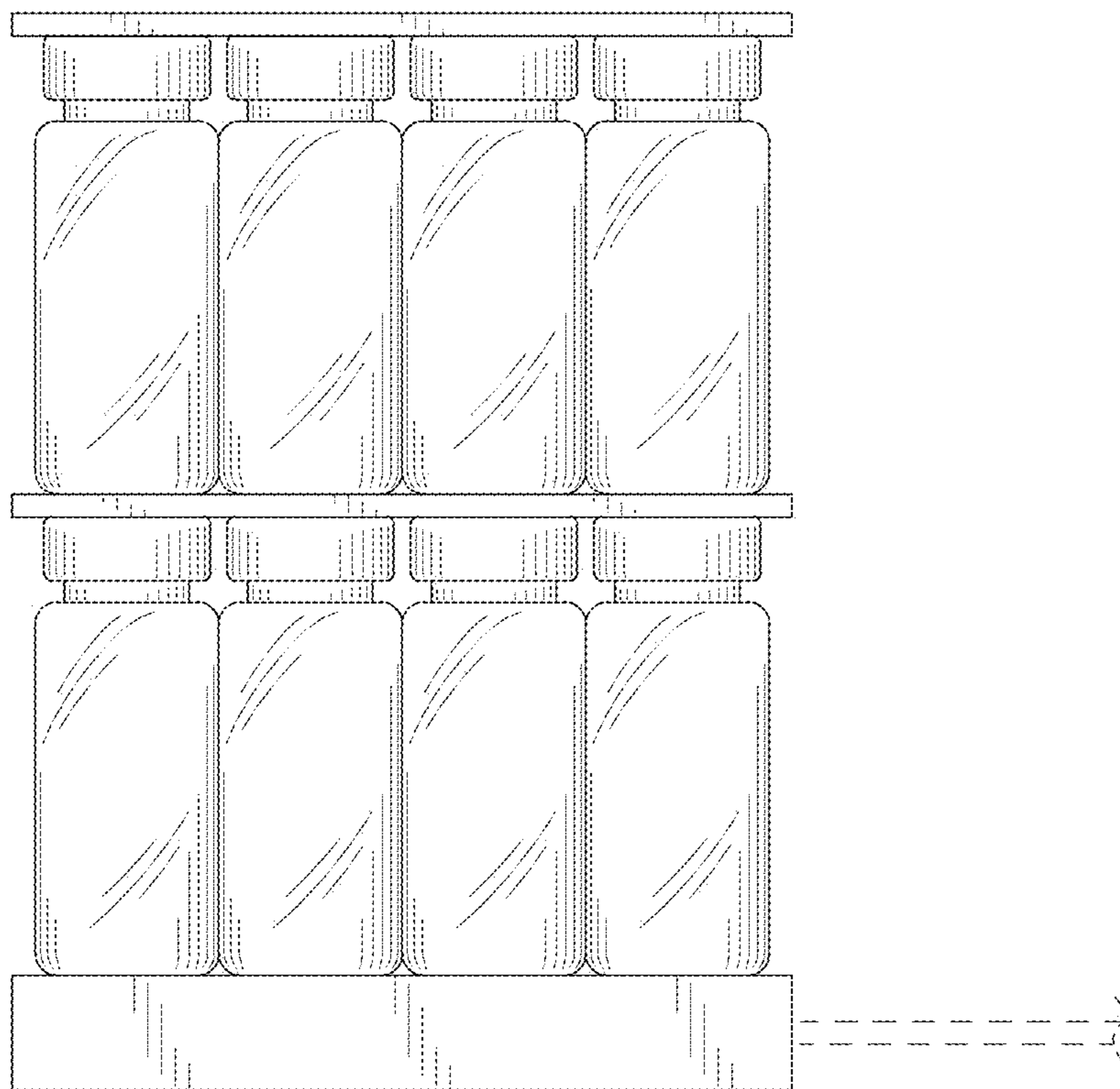


FIG. 3

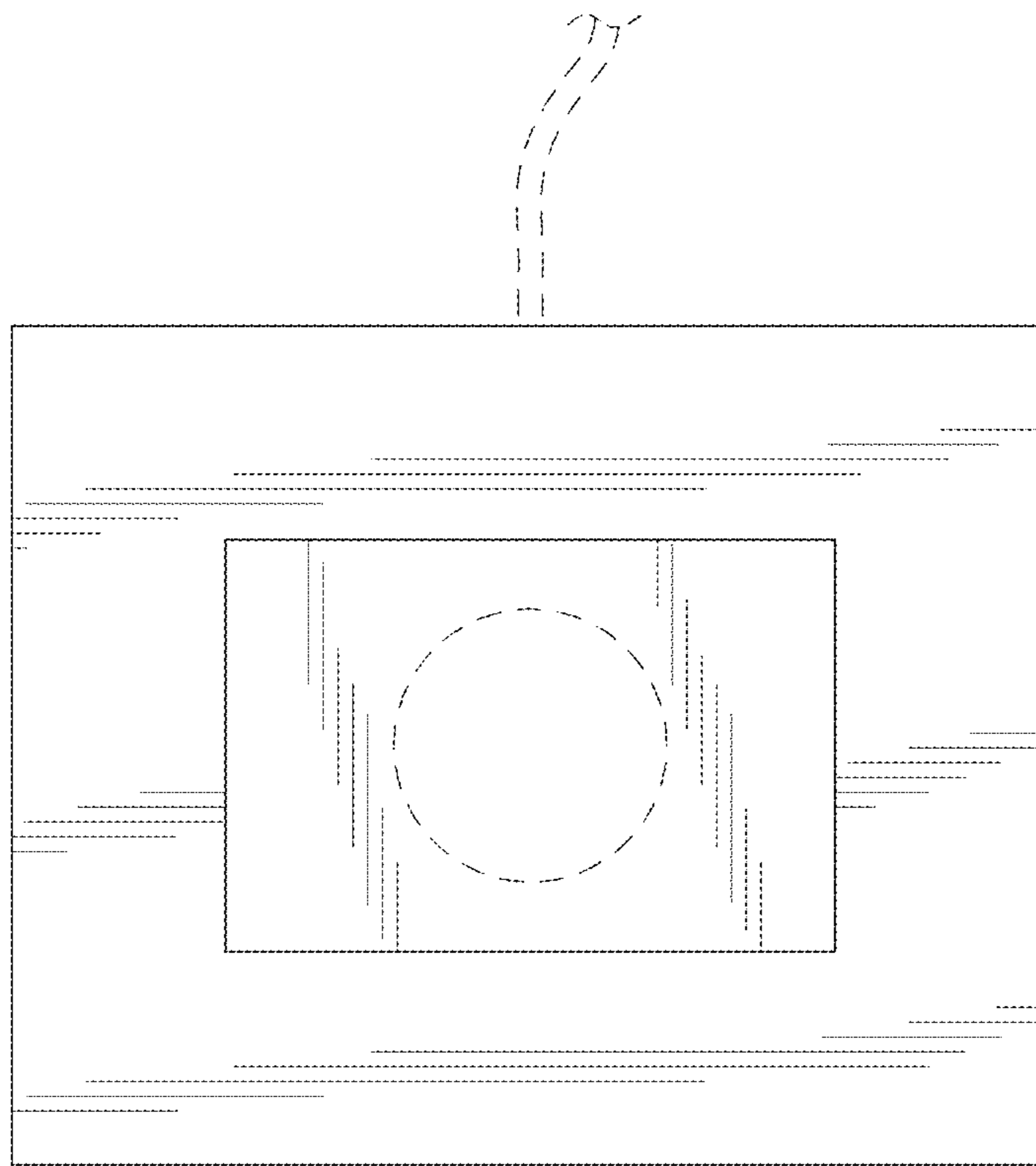


FIG. 4



FIG. 5