



US00D893791S

(12) **United States Design Patent** (10) **Patent No.:** **US D893,791 S**  
**Lin** (45) **Date of Patent:** **\*\* Aug. 18, 2020**

(54) **BATHROOM LIGHT**

(71) Applicant: **Meilan Lin**, Zhanjiang (CN)

(72) Inventor: **Meilan Lin**, Zhanjiang (CN)

(\*\*) Term: **15 Years**

(21) Appl. No.: **29/732,580**

(22) Filed: **Apr. 24, 2020**

(51) **LOC (12) Cl.** ..... **26-03**

(52) **U.S. Cl.**  
USPC ..... **D26/87; D26/63**

(58) **Field of Classification Search**  
USPC ..... D26/72, 76, 80, 85, 86, 87, 92, 63  
CPC .. F21S 8/033; F21S 8/035; F21S 8/036; F21S  
8/046

See application file for complete search history.

(56) **References Cited**

**U.S. PATENT DOCUMENTS**

D128,284 S *	7/1941	Herr	.....	D26/63
D209,982 S *	1/1968	Cohen	.....	D26/24
D354,578 S *	1/1995	Houssin	.....	D26/63
D448,881 S *	10/2001	Lin	.....	D26/155
D557,442 S *	12/2007	Niemier	.....	D26/76
D563,013 S *	2/2008	Levine	.....	D26/63
D581,080 S *	11/2008	Mier-Langner	.....	D26/63
D610,293 S *	2/2010	Klaus	.....	D26/76
D670,019 S *	10/2012	Sabernig	.....	D26/85
D724,776 S *	3/2015	Sonneman	.....	D26/85
D782,099 S *	3/2017	Orozco	.....	D26/85
D796,108 S *	8/2017	Boorom	.....	D26/87
D816,882 S *	5/2018	Qiao	.....	D26/86
D819,868 S *	6/2018	Qiao	.....	D26/87
D830,609 S *	10/2018	Sonneman	.....	D26/87
D835,324 S *	12/2018	Haubach	.....	D26/86
D869,730 S	12/2019	Lin	.....	
D880,753 S *	4/2020	Ng	.....	D26/85
2016/0363277 A1	12/2016	Ogg et al.	.....	

**OTHER PUBLICATIONS**

LED Bath Mirror Lights Waterproof Anti-fog Adjustable Wall Lamp by Vanity Lights, available at amazon.com Apr. 12, 2019. (Year: 2019).\*

Mirrea 24in Modern LED Vanity Light for Bathroom Lighting Dimmable 24w Warm White, available at amazon.com Jun. 29, 2018. (Year: 2018).\*

Aipsun 27.6in/16W Modern Black Vanity Light, available at amazon.com Jun. 26, 2019. (Year: 2019).\*

\* cited by examiner

*Primary Examiner* — Clare E Heflin

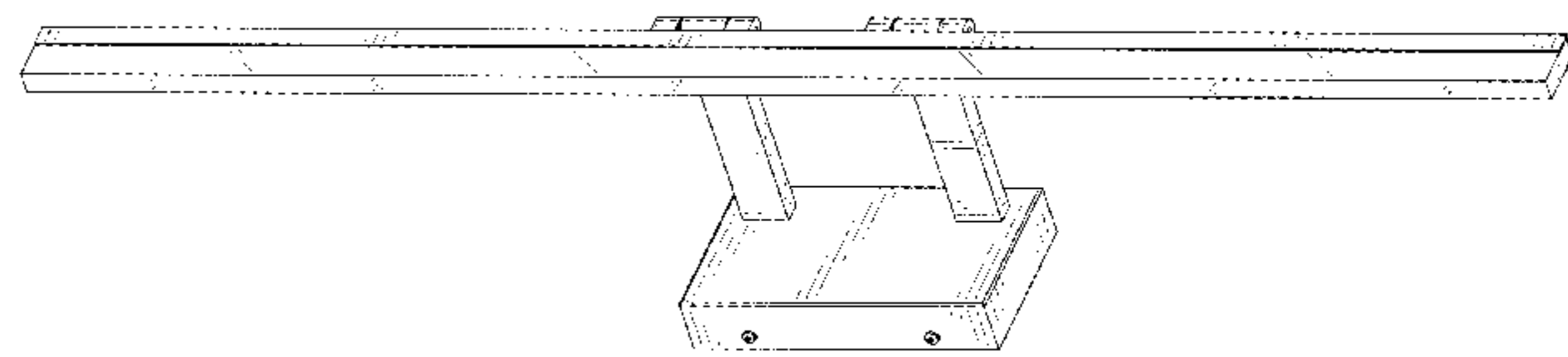
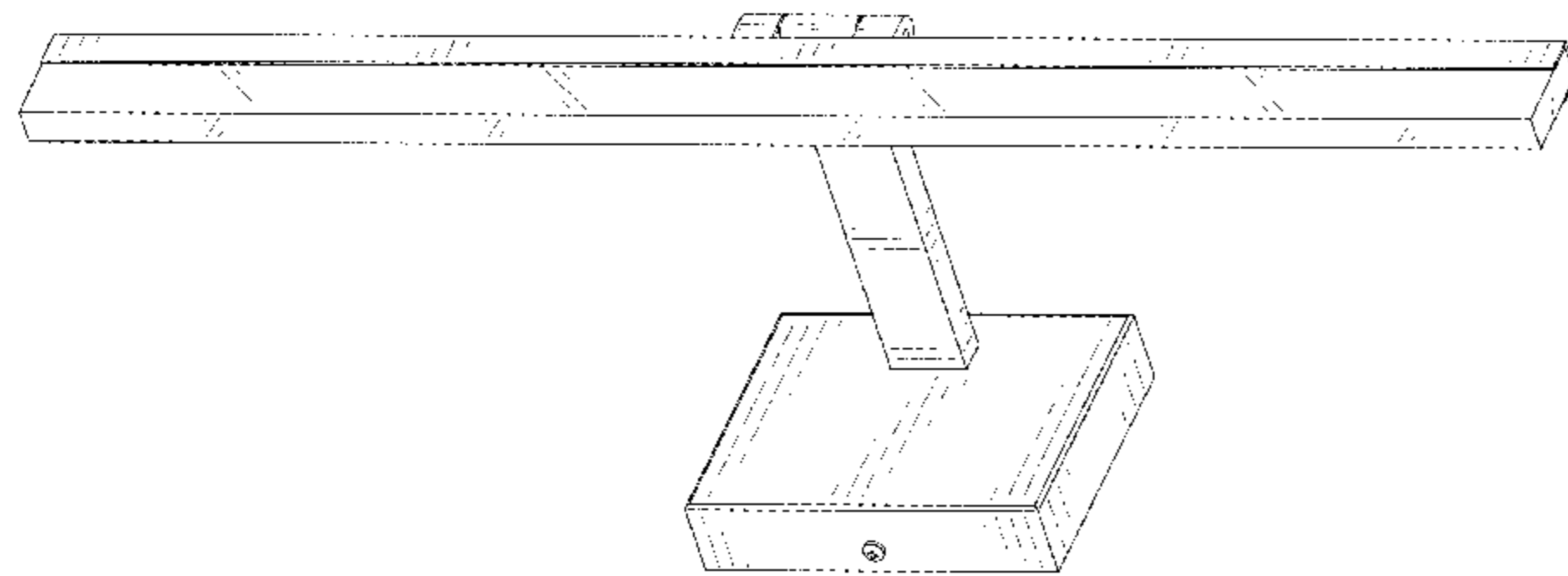
(57) **CLAIM**

The ornamental design for a bathroom light, as shown and described.

**DESCRIPTION**

FIG. 1 is a perspective view of a first embodiment of a bathroom light showing my new design;  
FIG. 2 is another perspective view thereof;  
FIG. 3 is a front elevational view thereof;  
FIG. 4 is a rear elevational view thereof;  
FIG. 5 is a left side elevational view thereof;  
FIG. 6 is a right side elevational view thereof;  
FIG. 7 is a top plan view thereof;  
FIG. 8 is a bottom plan view thereof;  
FIG. 9 is a perspective view of a second embodiment of the bathroom light showing my new design;  
FIG. 10 is another perspective view thereof;  
FIG. 11 is a front elevational view thereof;  
FIG. 12 is a rear elevational view thereof;  
FIG. 13 is a left side elevational view thereof;  
FIG. 14 is a right side elevational view thereof;  
FIG. 15 is a top plan view thereof; and,  
FIG. 16 is a bottom plan view thereof.

**1 Claim, 16 Drawing Sheets**



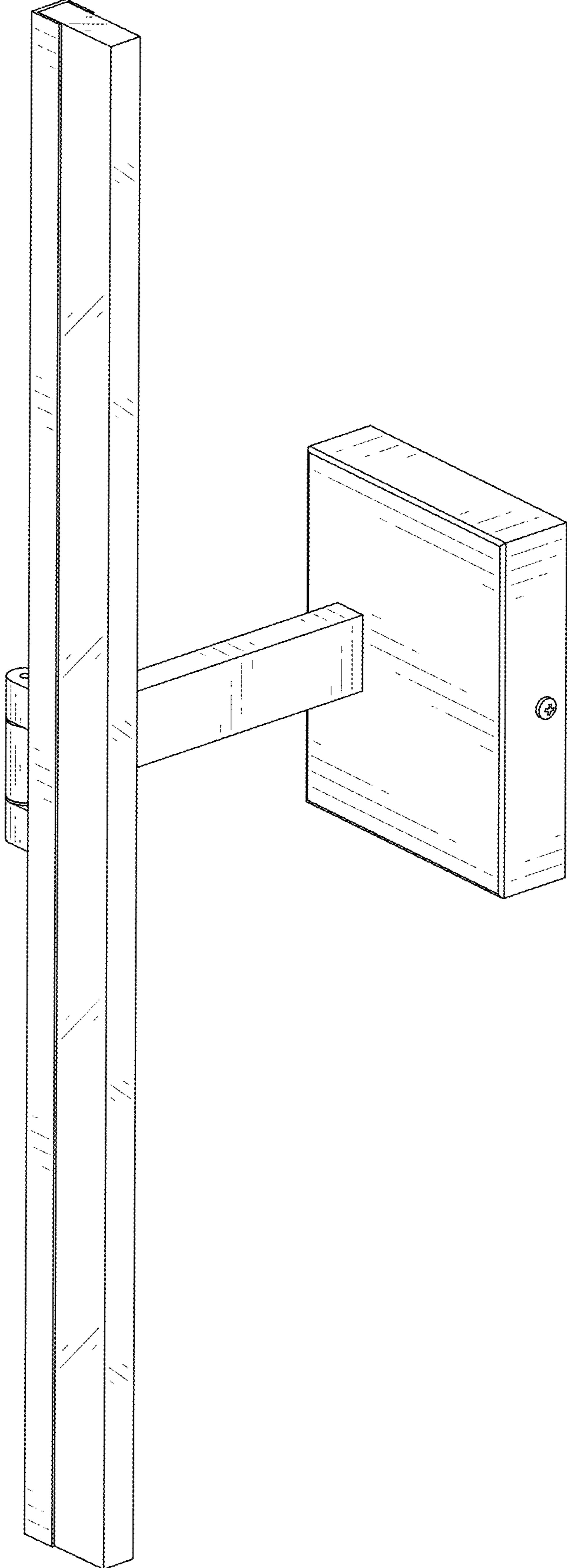


FIG. 1

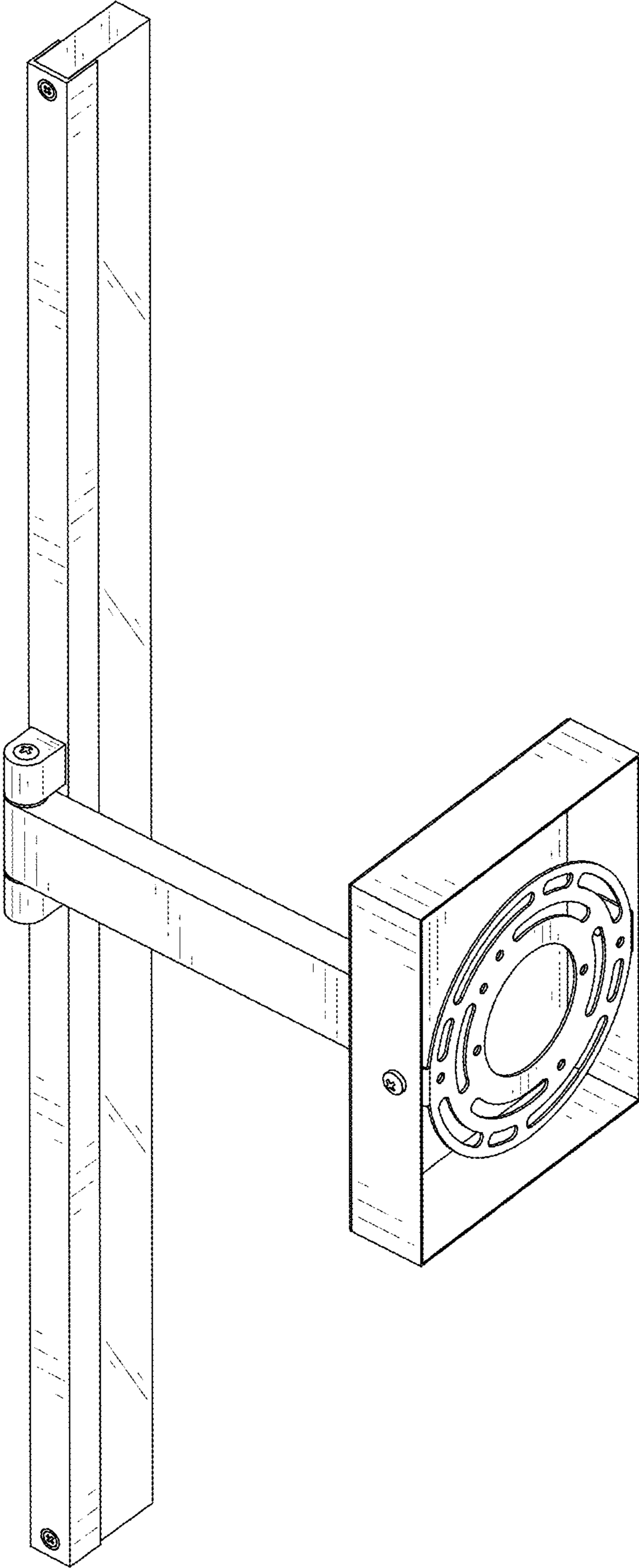


FIG. 2

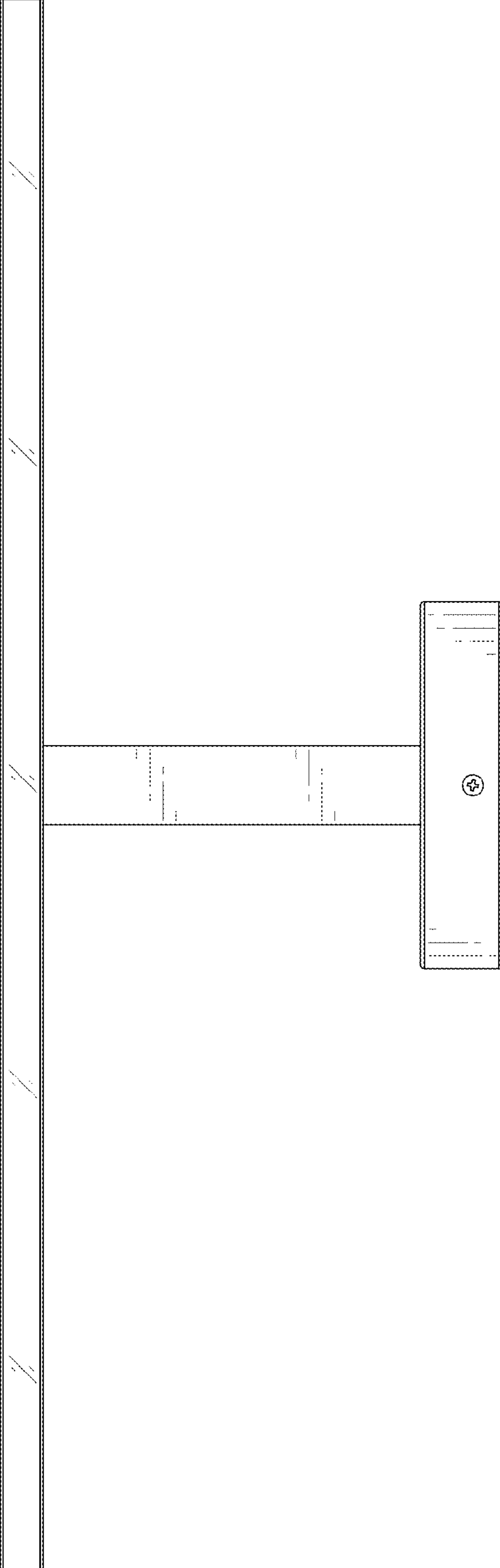


FIG. 3

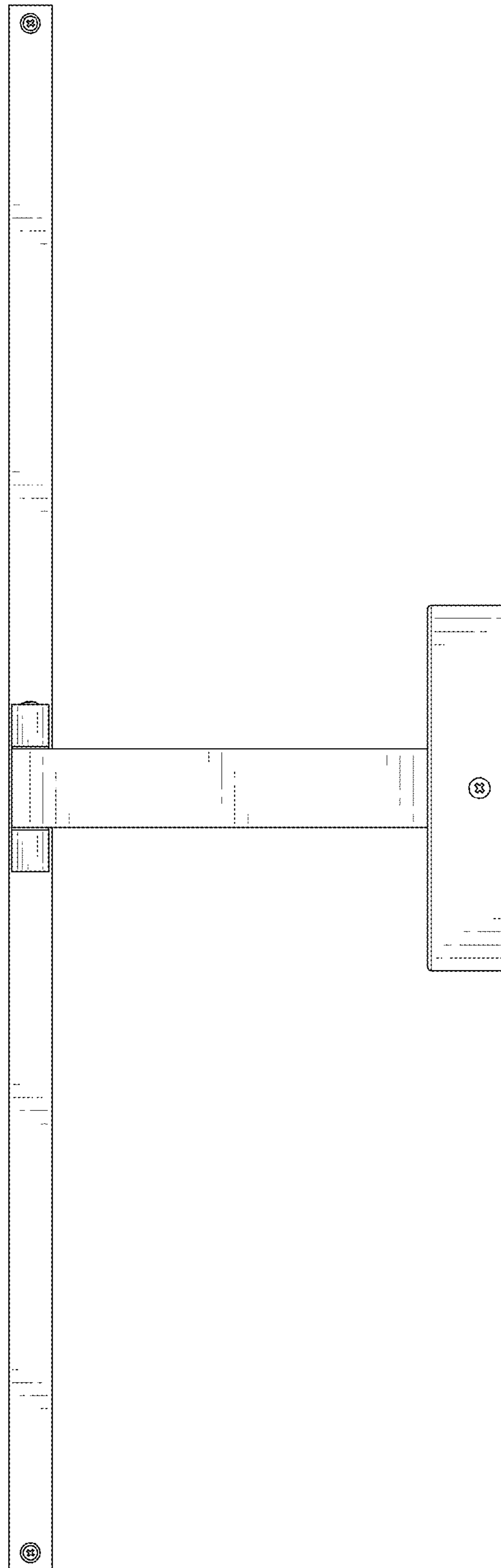


FIG. 4

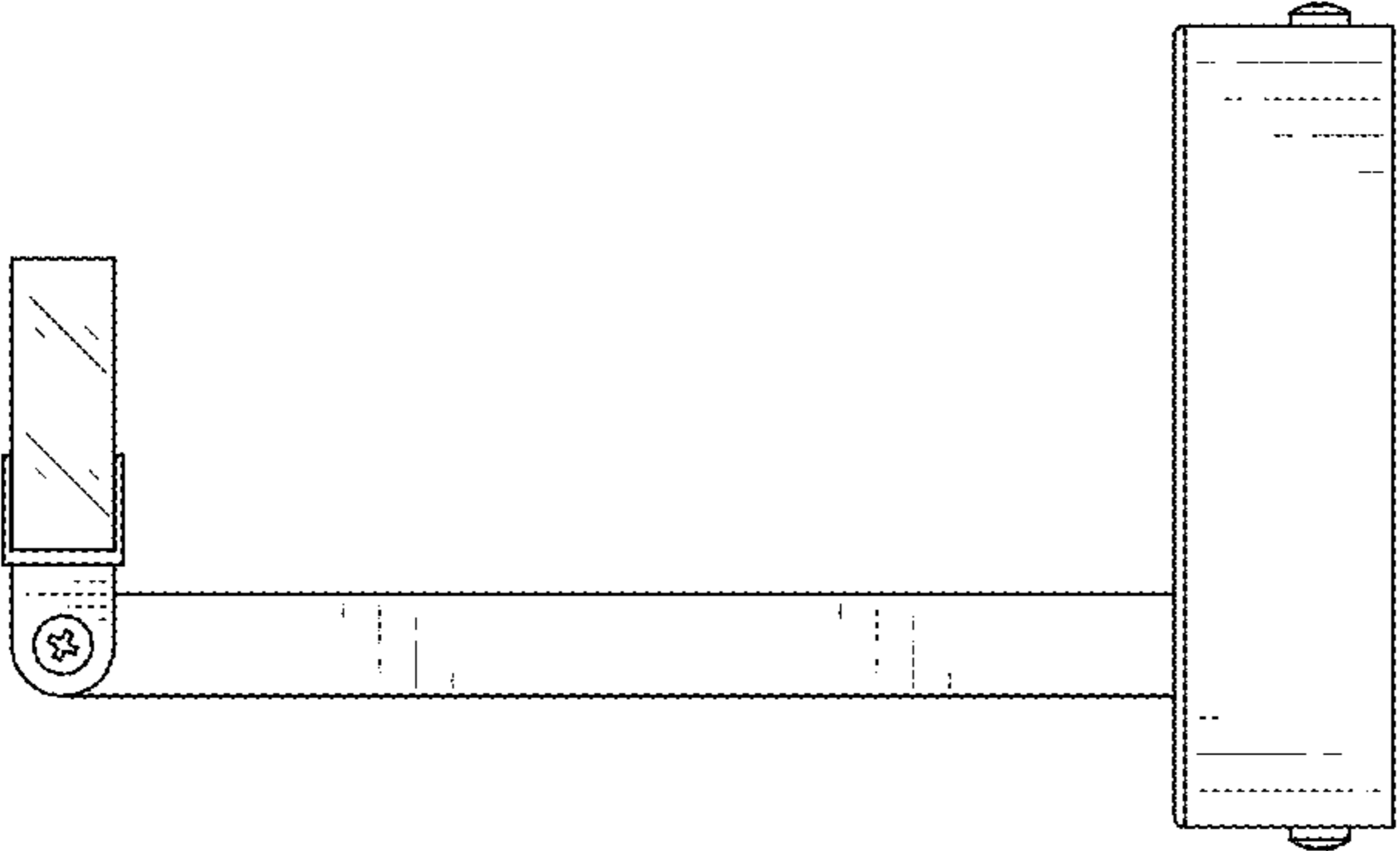


FIG. 5

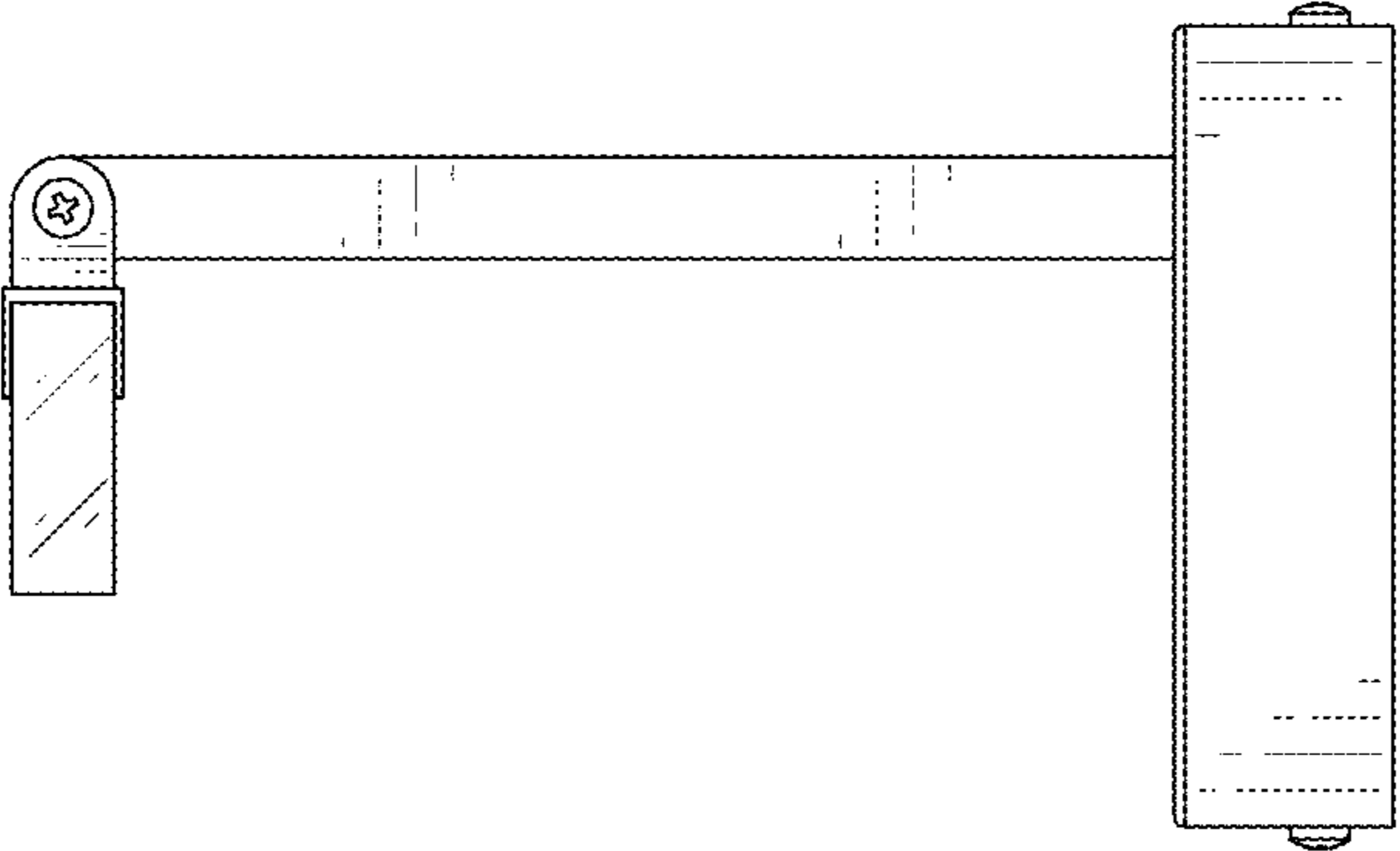


FIG. 6

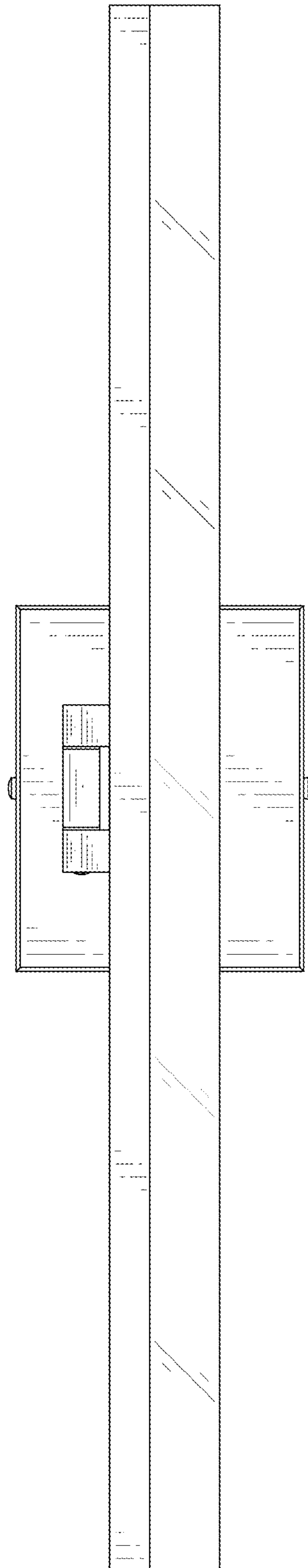


FIG. 7



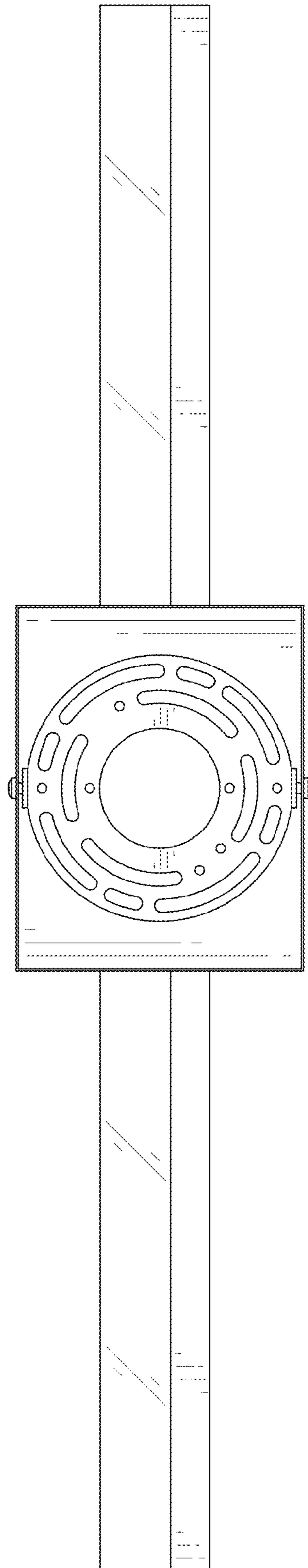


FIG. 8

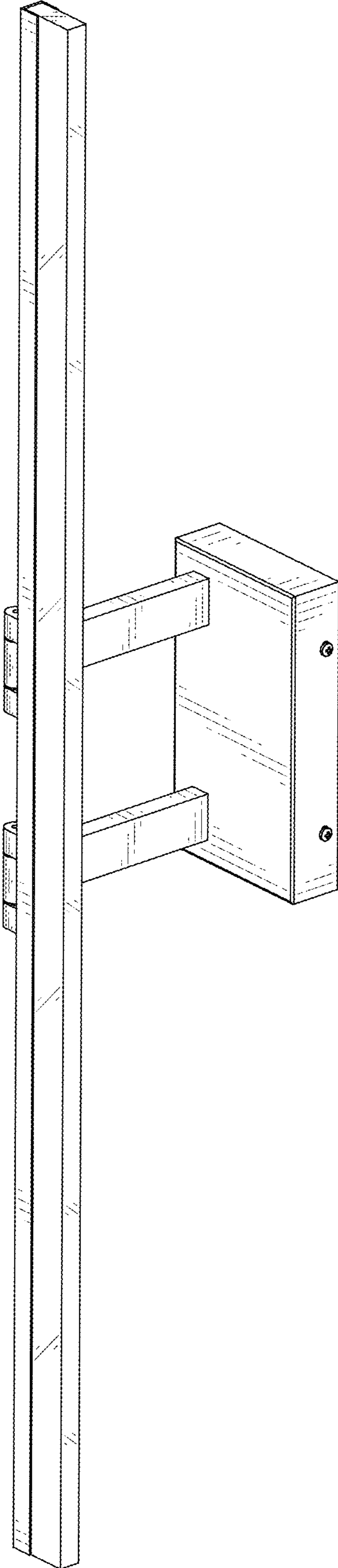


FIG. 9

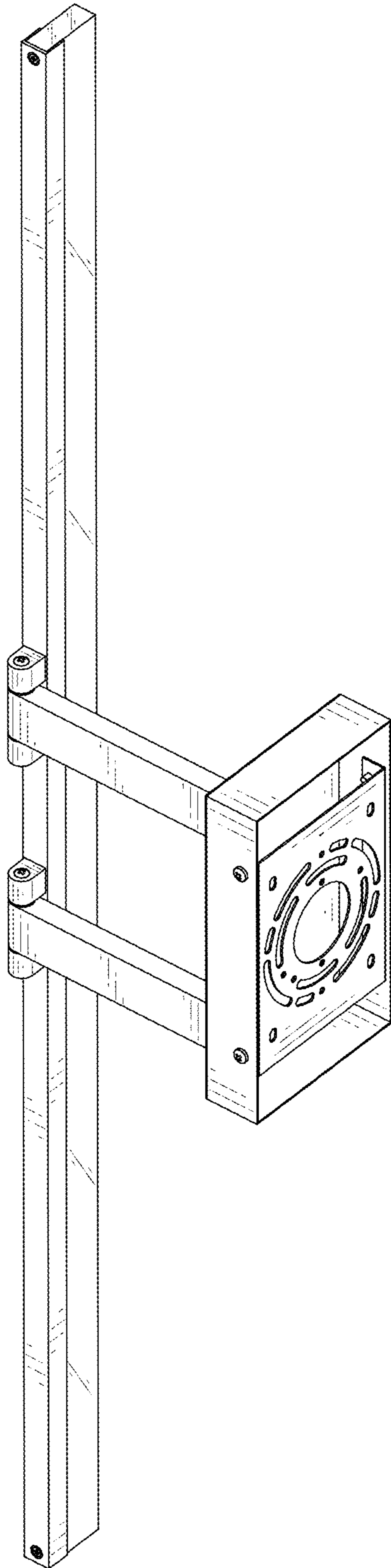


FIG. 10

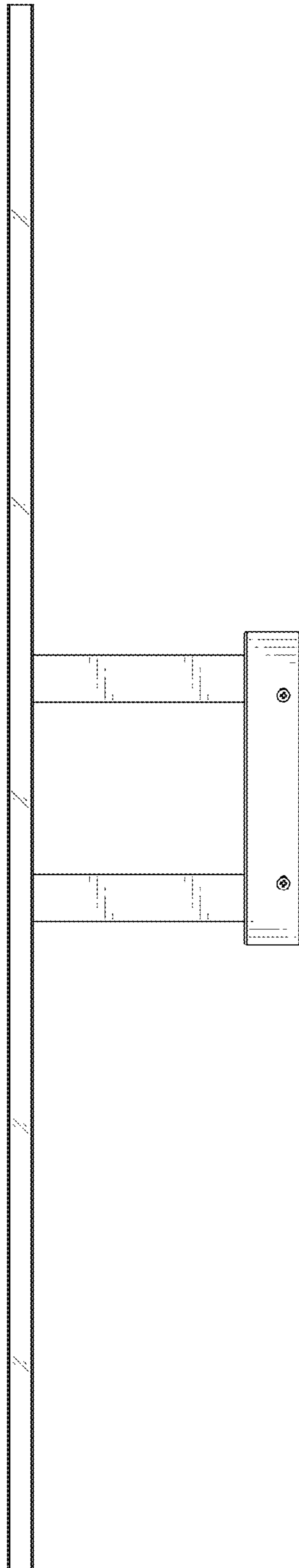


FIG. 11

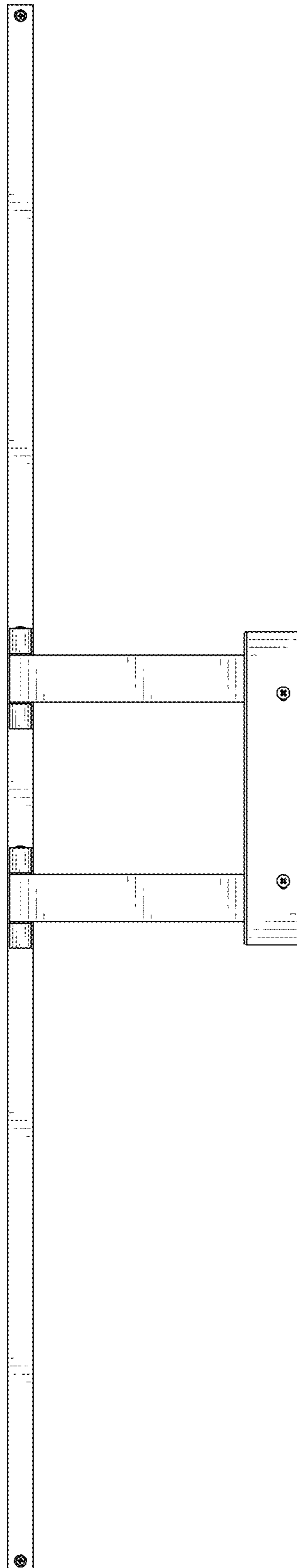


FIG. 12

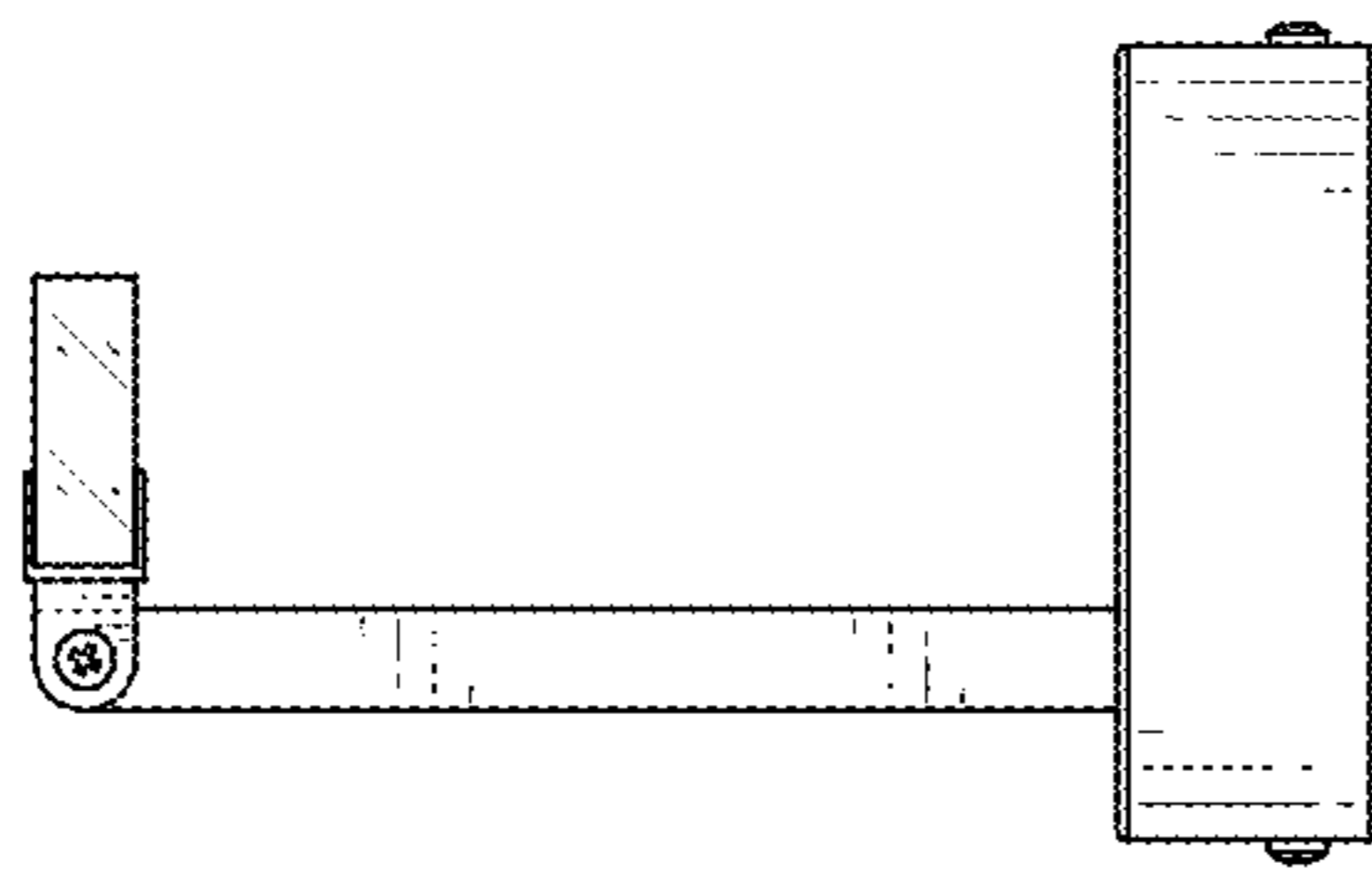


FIG. 13

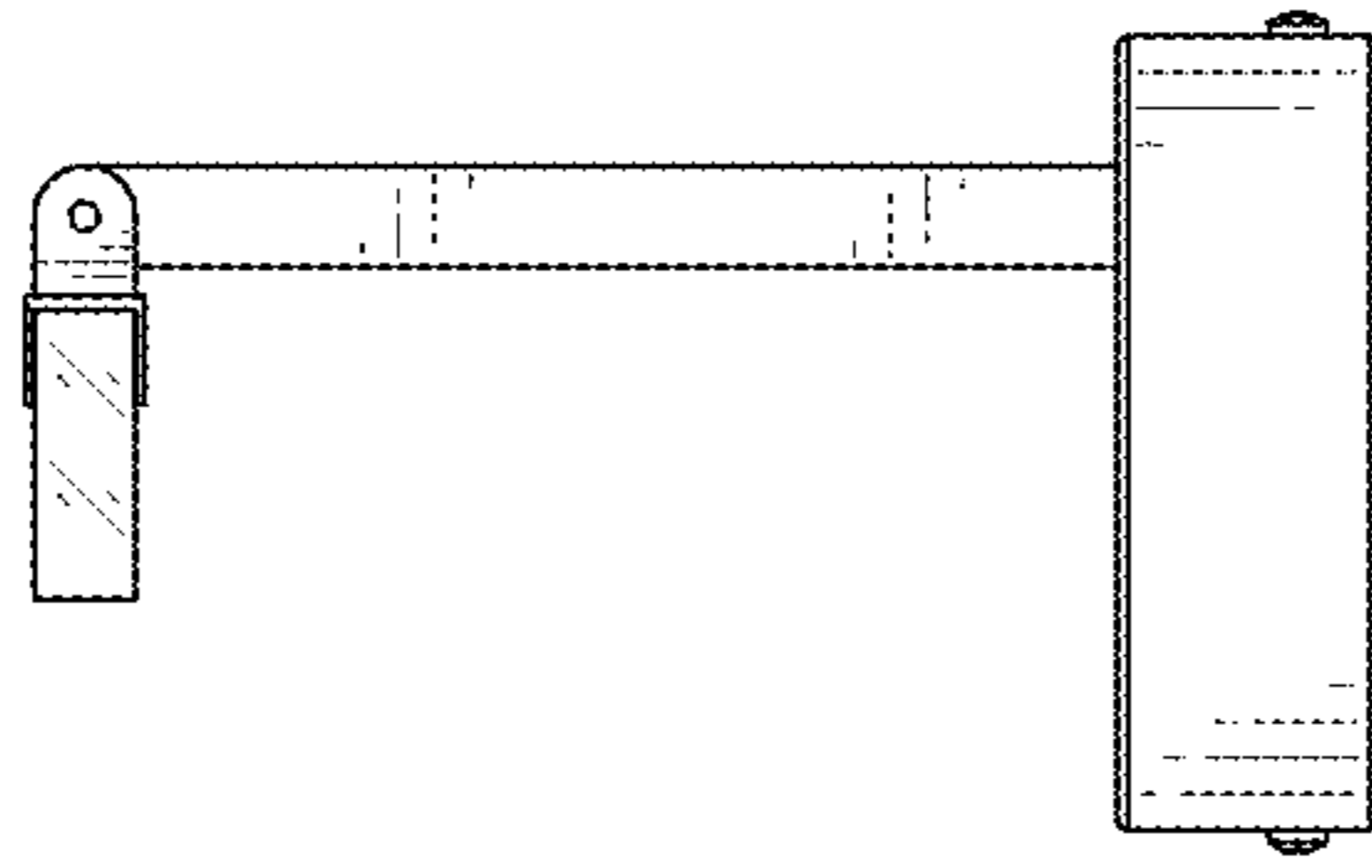


FIG. 14

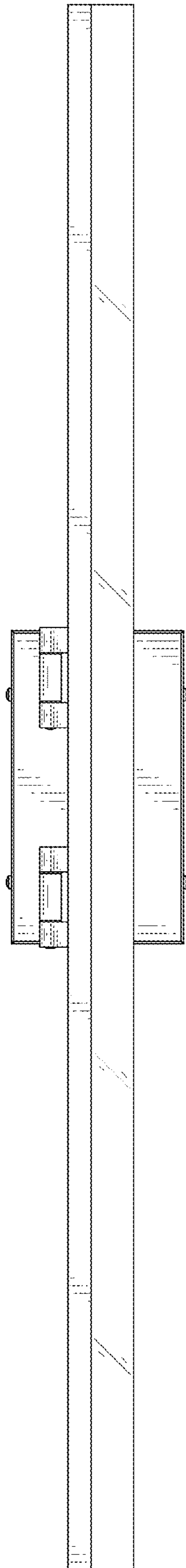


FIG. 15



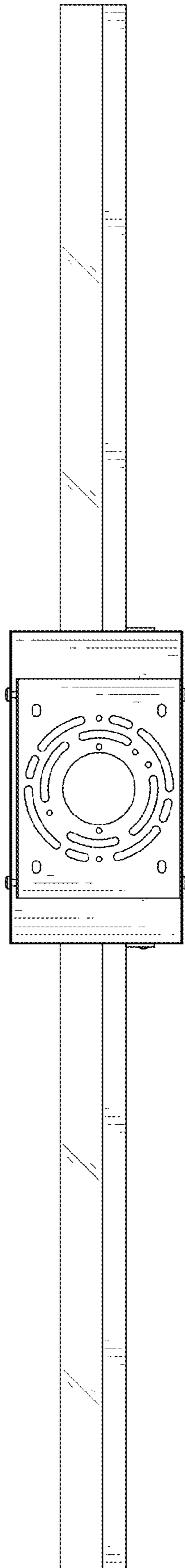


FIG. 16