



US00D893790S

(12) **United States Design Patent**  
**Ng et al.**

(10) **Patent No.:** **US D893,790 S**

(45) **Date of Patent:** **\*\* Aug. 18, 2020**

(54) **LAMP**

(71) Applicant: **Koncept Technologies, Inc.**, Monrovia, CA (US)

(72) Inventors: **Kenneth Ng**, Monrovia, CA (US);  
**Edmund Ng**, Monrovia, CA (US)

(73) Assignee: **KONCEPT TECHNOLOGIES, INC.**, Monrovia, CA (US)

(\*\*) Term: **15 Years**

(21) Appl. No.: **29/679,698**

(22) Filed: **Feb. 8, 2019**

(51) **LOC (12) Cl.** ..... **26-03**

(52) **U.S. Cl.**  
USPC ..... **D26/65**

(58) **Field of Classification Search**  
USPC ..... D26/61-65, 107, 108  
CPC .... F21Y 2103/003; F21V 21/26; F21V 21/30;  
F21V 21/14; F21V 21/28  
See application file for complete search history.

(56) **References Cited**

**U.S. PATENT DOCUMENTS**

D510,451 S	*	10/2005	Marchand	.....	D26/63
D579,597 S	*	10/2008	Ng	.....	D26/61
D620,165 S	*	7/2010	Huang	.....	D26/63
D662,640 S	*	6/2012	Ng	.....	D26/65
D663,062 S	*	7/2012	Ng	.....	D26/65
D729,964 S	*	5/2015	Huh	.....	D26/63

D733,955 S	*	7/2015	Ng	.....	D26/107
D743,614 S	*	11/2015	Ng	.....	D26/107
D744,154 S	*	11/2015	Ng	.....	D26/107
D753,329 S	*	4/2016	Lee	.....	D26/65
D768,908 S	*	10/2016	Fisher	.....	D26/107
D822,880 S	*	7/2018	Hodgson	.....	D26/108
D855,243 S	*	7/2019	Yu	.....	D26/107

\* cited by examiner

*Primary Examiner* — Brian N. Vinson

(74) *Attorney, Agent, or Firm* — Steins & Associates, P.C.

(57) **CLAIM**

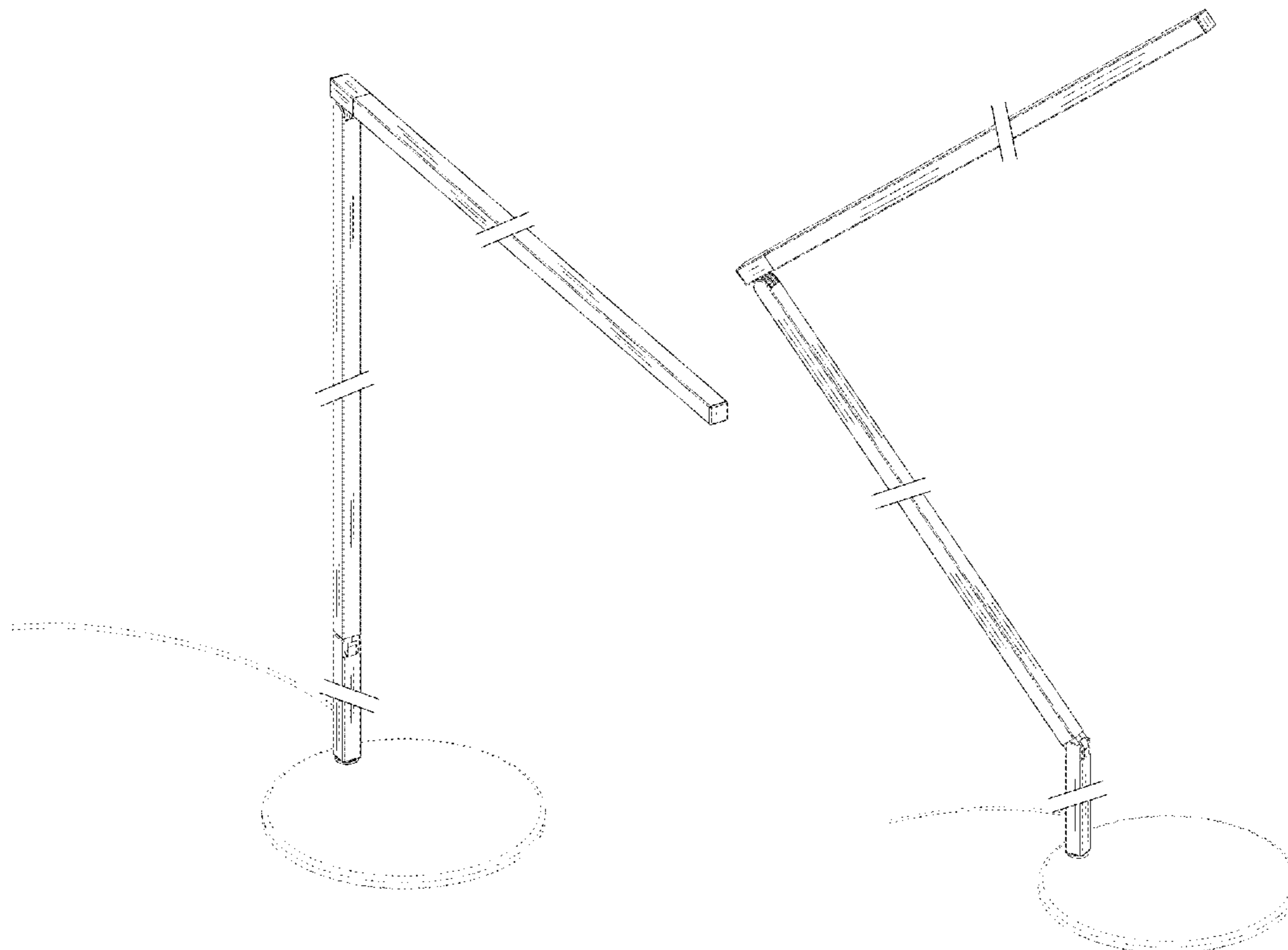
What is claimed is the ornamental design for a lamp, as shown.

**DESCRIPTION**

FIG. 1 is a perspective view of the lamp;  
 FIG. 2 is a left side view of the lamp;  
 FIG. 3 is a right side view of the lamp;  
 FIG. 4 is a top view of the lamp;  
 FIG. 5 is a bottom view of the lamp;  
 FIG. 6 is a front view of the lamp;  
 FIG. 7 is a back view of the lamp;  
 FIG. 8 is a perspective view of the lamp;  
 FIG. 9 is a perspective view of the lamp; and,  
 FIG. 10 is a perspective view of the lamp.

The portions of the lamp shown in broken lines form no part of the claimed design. The lamp is shown with symbolic breaks in its length. The appearance of any portion of the article between the break lines form no part of the claimed design.

**1 Claim, 10 Drawing Sheets**



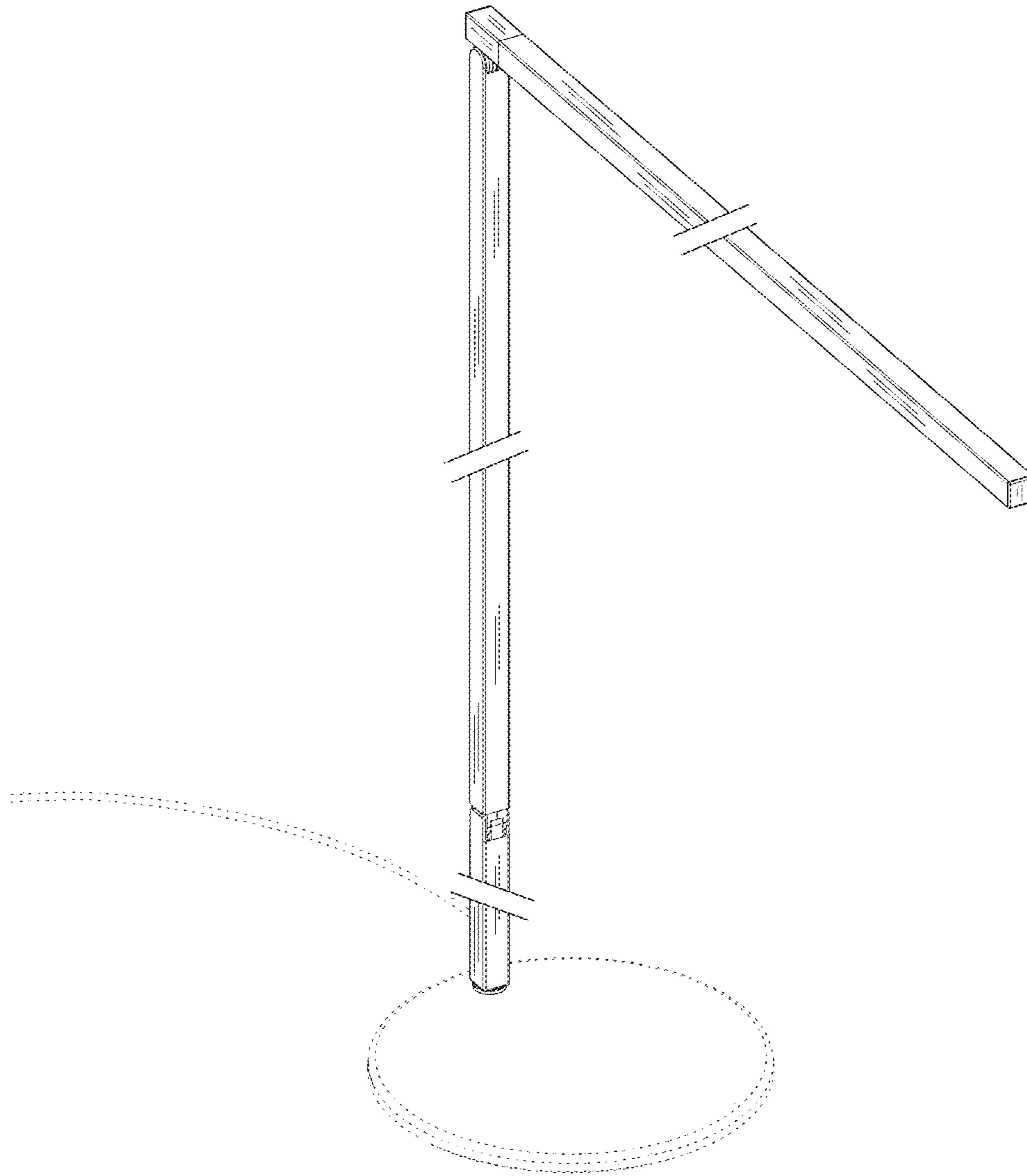


FIG. 1

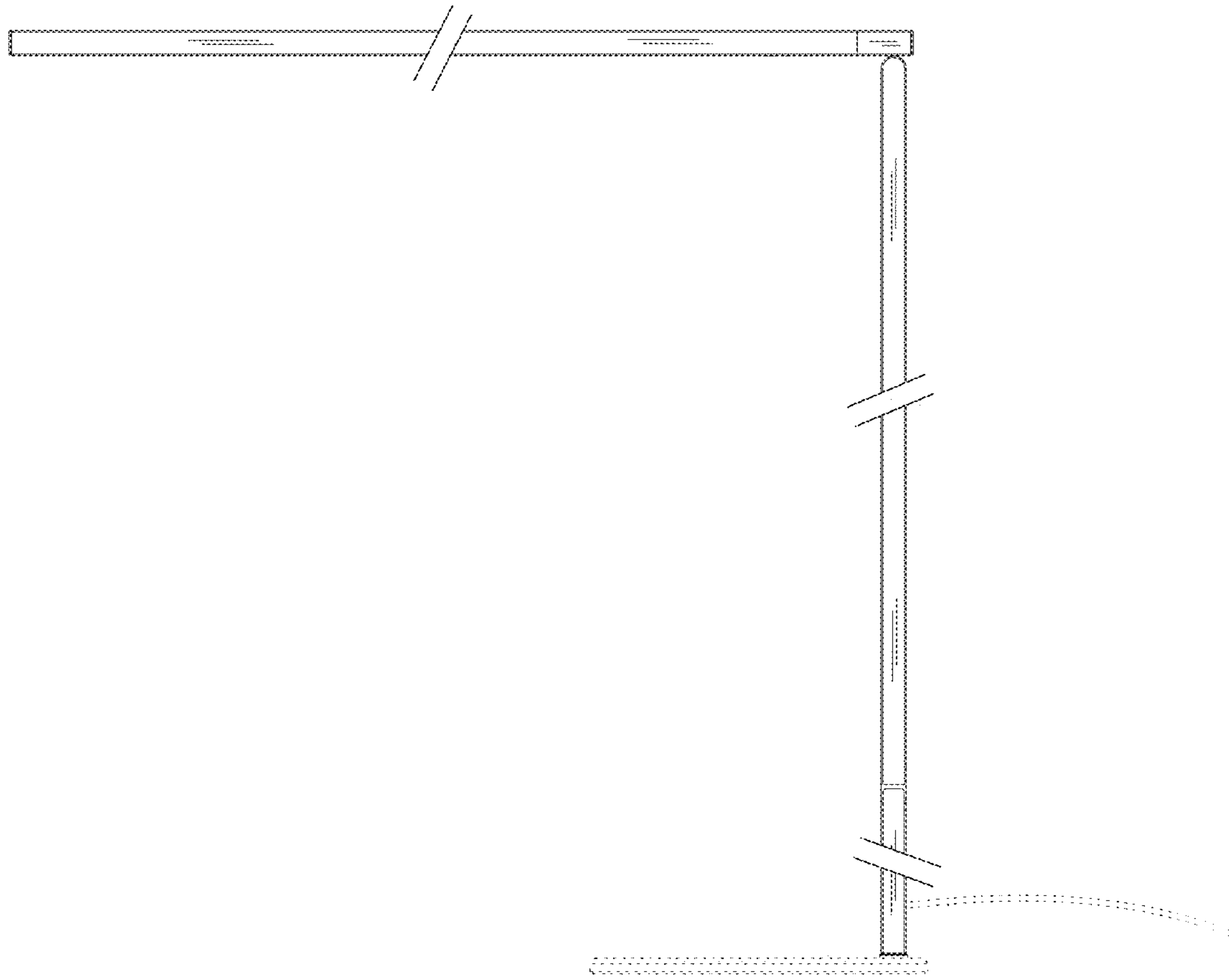


FIG. 2

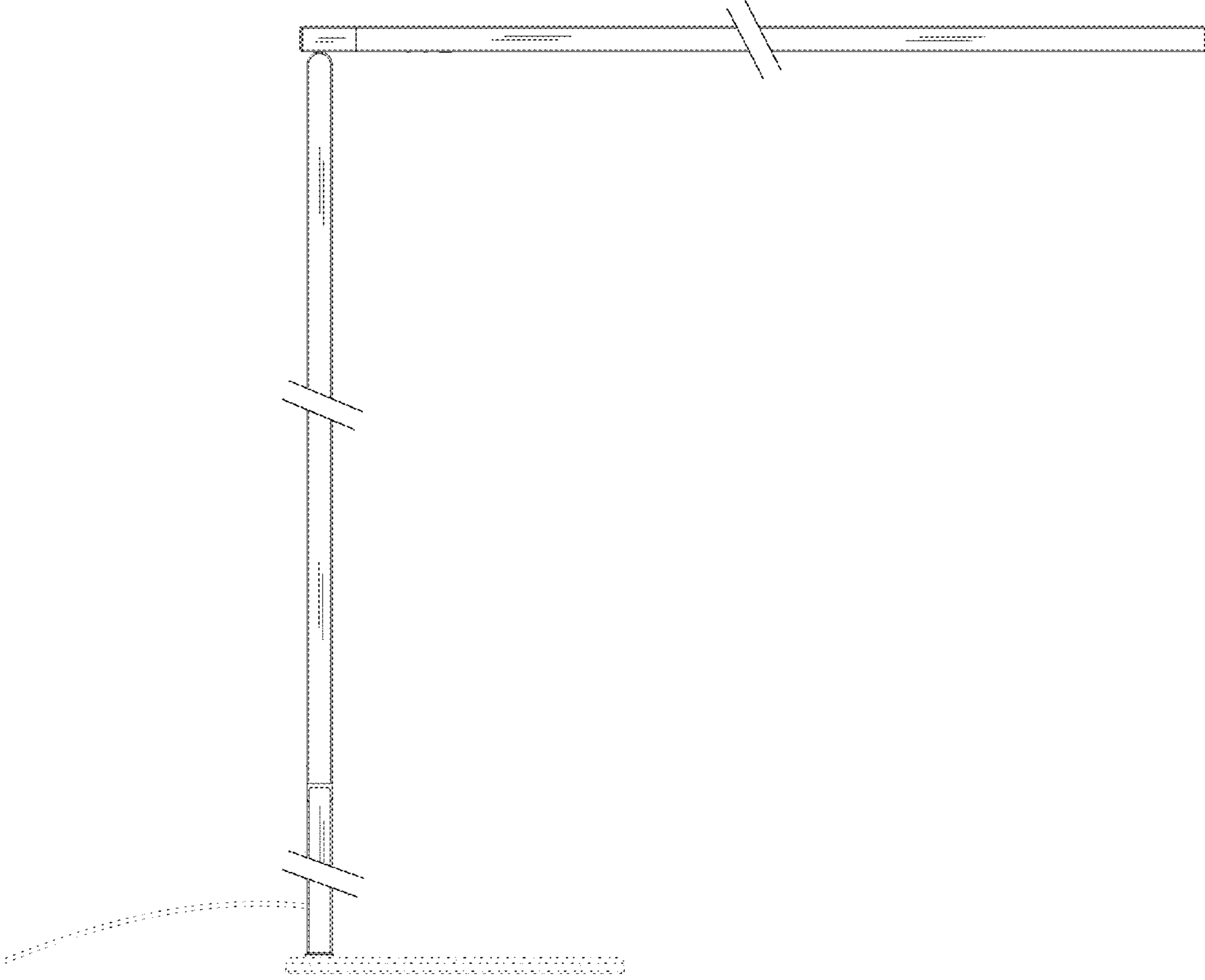


FIG. 3

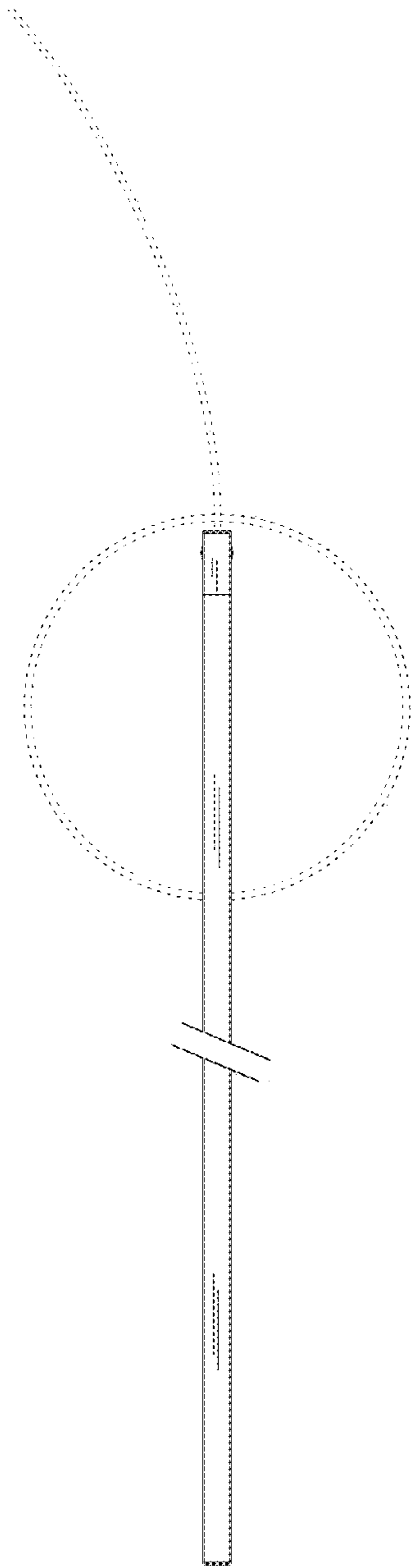


FIG. 4

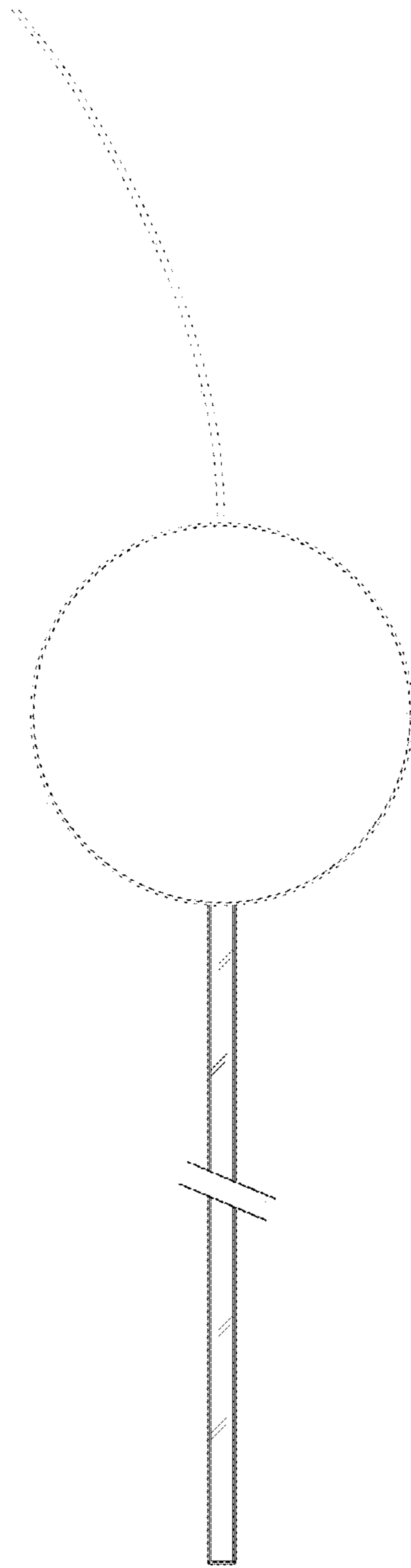


FIG. 5

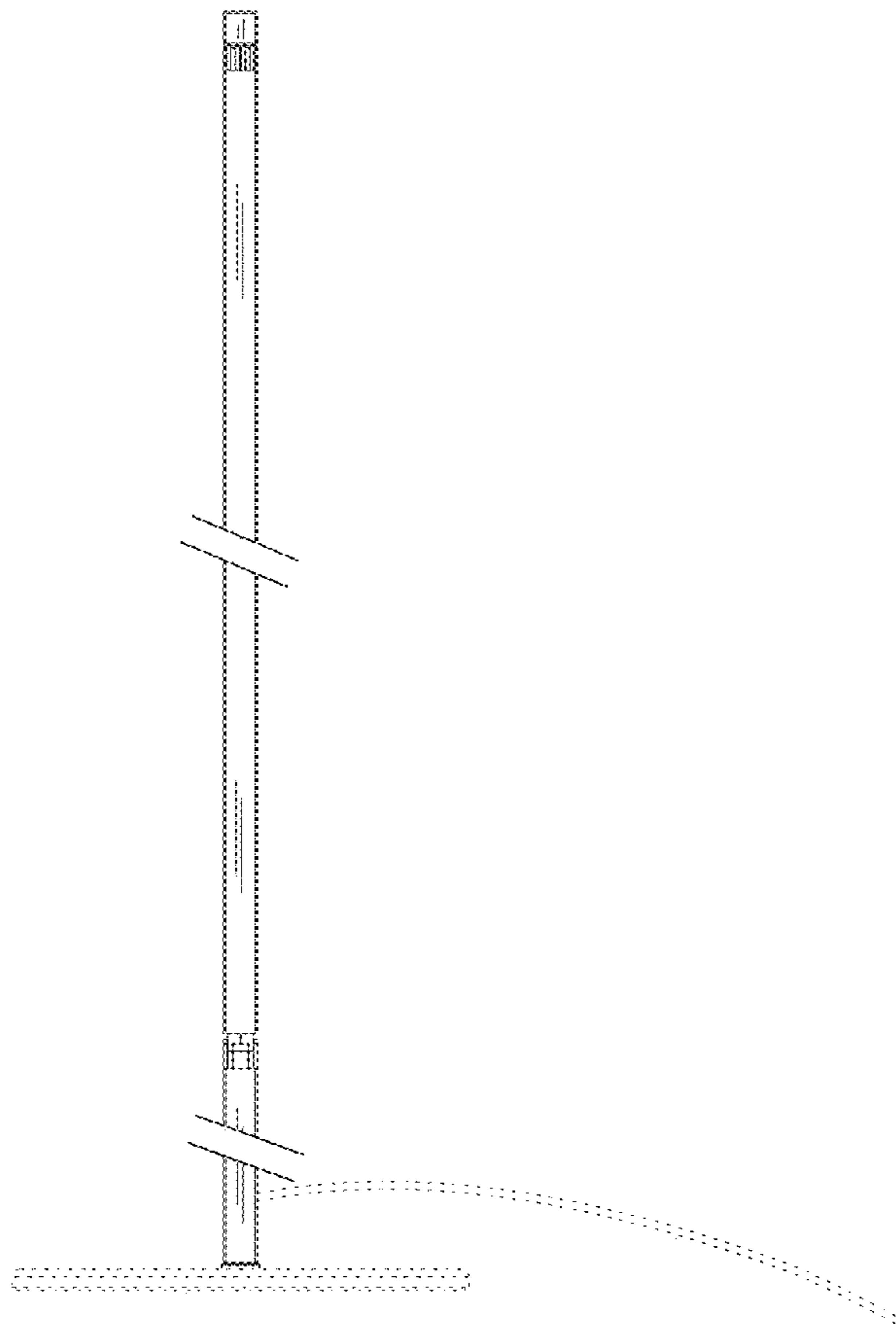


FIG. 6

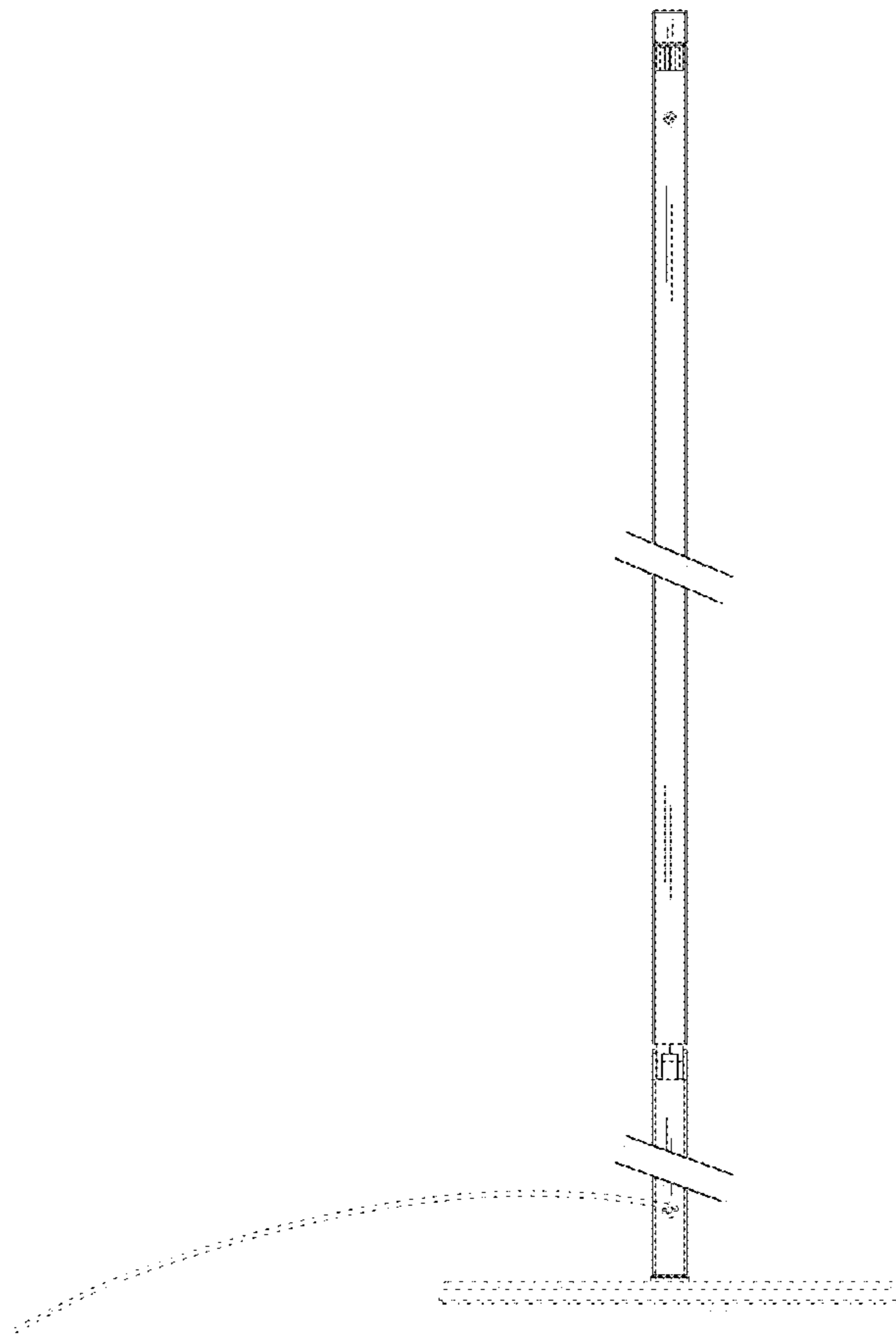


FIG. 7



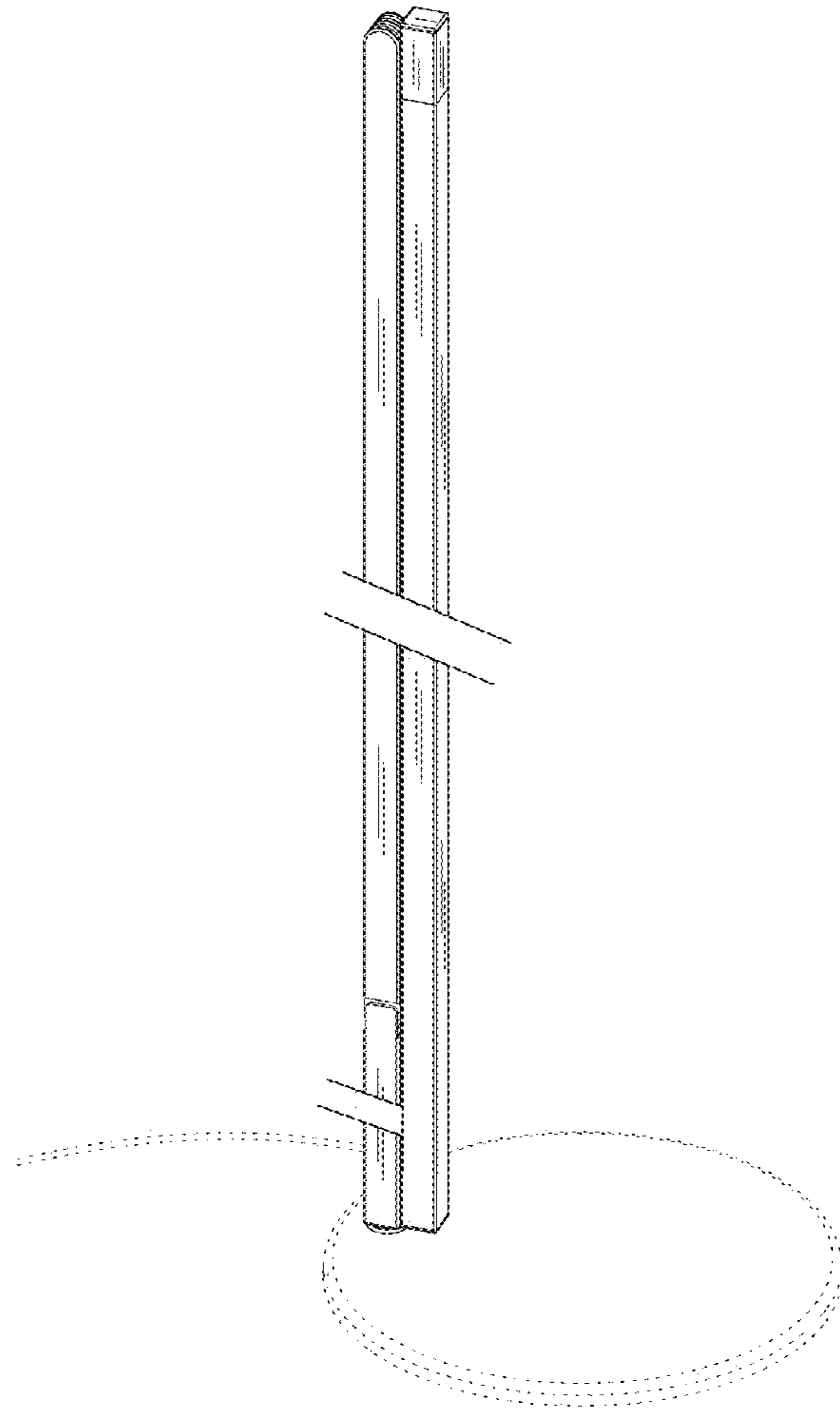


FIG. 8

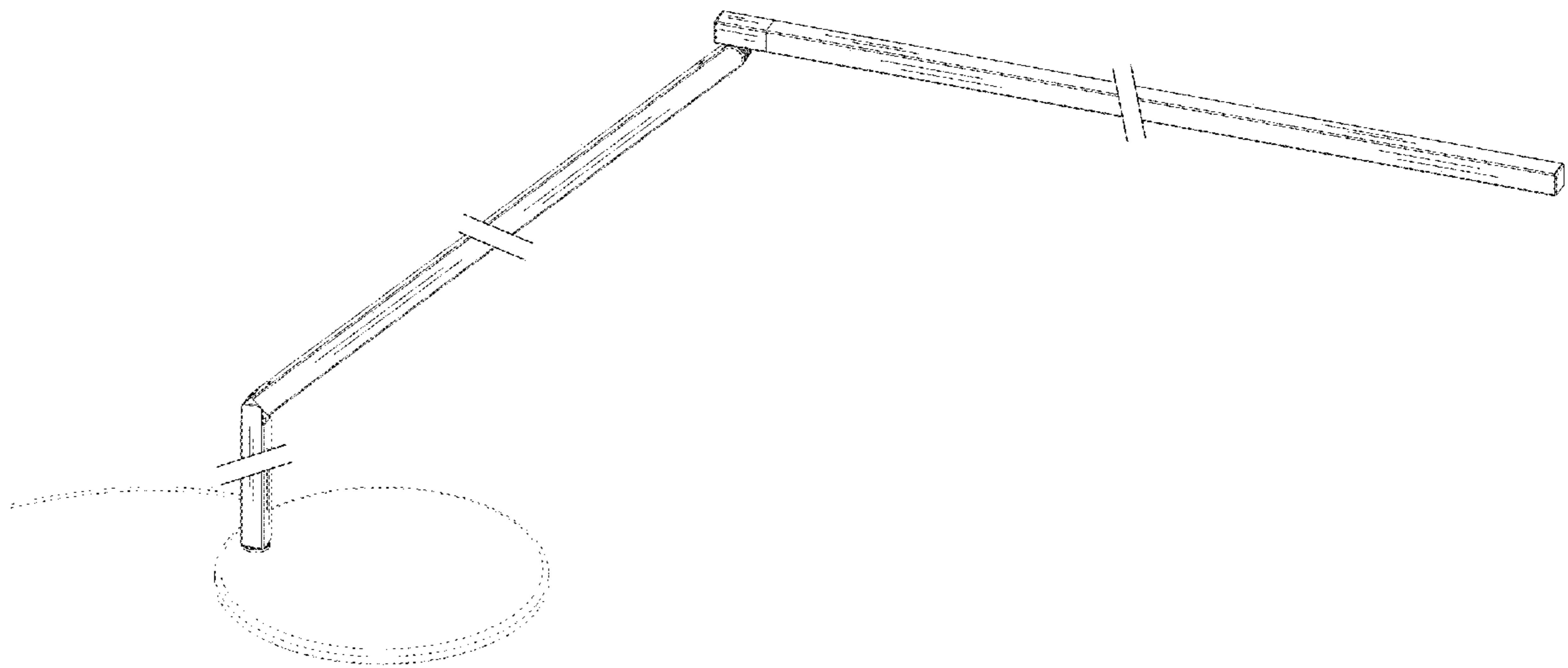


FIG. 9

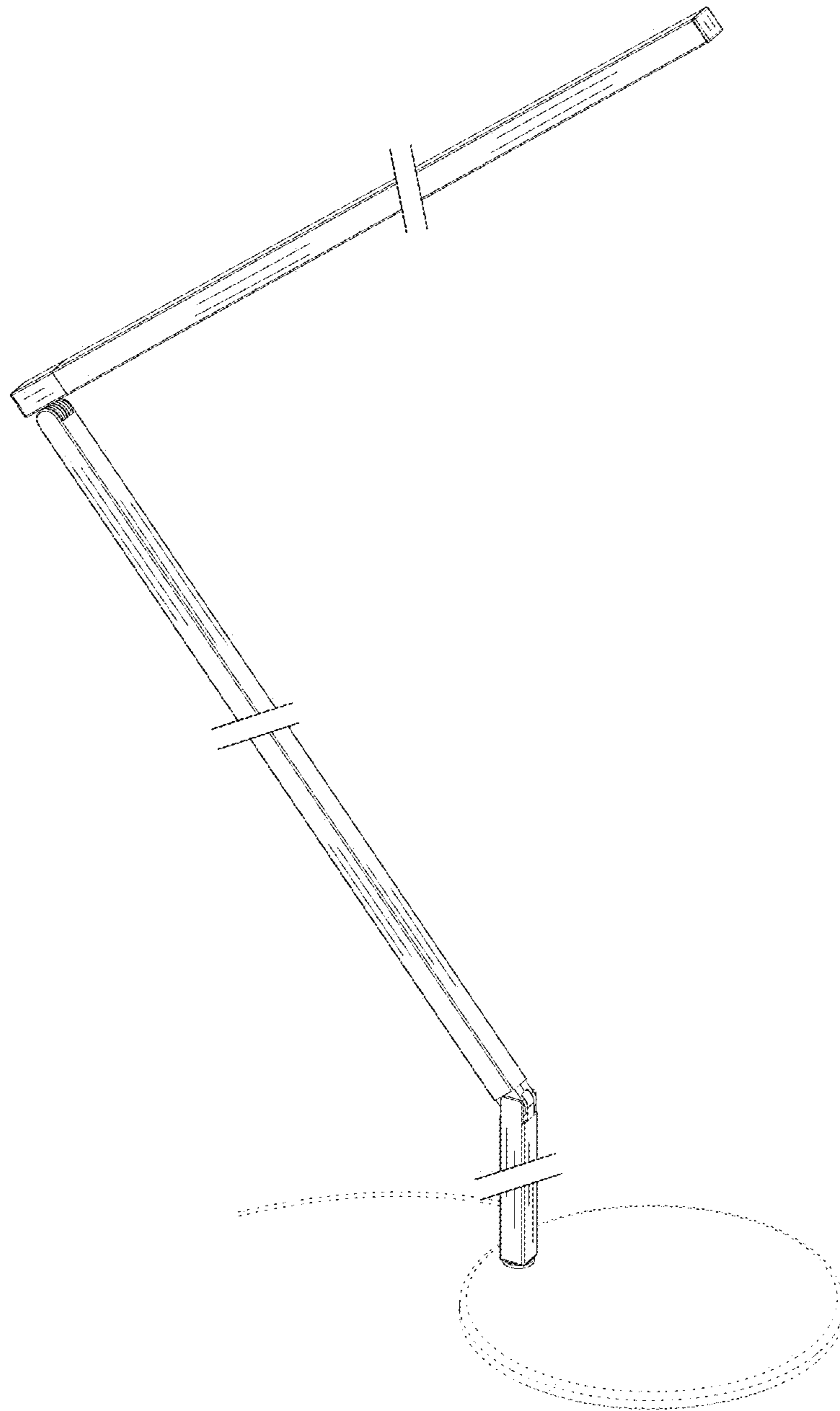


FIG. 10